



US00D687087S

(12) **United States Design Patent**  
**Iurilli**

(10) **Patent No.:** **US D687,087 S**  
(45) **Date of Patent:** **\*\* Jul. 30, 2013**

(54) **EYEGLASSES**

(71) Applicant: **Michele Iurilli**, Genoa (IT)

(72) Inventor: **Michele Iurilli**, Genoa (IT)

(\*\*) Term: **14 Years**

(21) Appl. No.: **29/447,582**

(22) Filed: **Mar. 5, 2013**

(30) **Foreign Application Priority Data**

Sep. 14, 2012 (EM) ..... 002103101-0001

(51) **LOC (9) Cl.** ..... **16-06**

(52) **U.S. Cl.**  
USPC ..... **D16/326; D16/309**

(58) **Field of Classification Search**  
USPC ..... D16/101, 300-342, 900; D29/109-110;  
351/41, 44, 51-52, 62, 158, 92, 103-123,  
351/140-153, 45-46; 2/426-432, 447-449,  
2/441, 434-437, 13, 15; D21/483, 659-661;  
D14/372

See application file for complete search history.

(56) **References Cited**

U.S. PATENT DOCUMENTS

D461,486	S	*	8/2002	Katagiri et al.	.....	D16/300
D639,332	S	*	6/2011	Basler et al.	.....	D16/309
D646,316	S	*	10/2011	Zhao	.....	D16/309
D667,482	S	*	9/2012	Healy et al.	.....	D16/309
2010/0045928	A1	*	2/2010	Levy	.....	351/158

\* cited by examiner

*Primary Examiner* — Raphael Barkai  
(74) *Attorney, Agent, or Firm* — Themis Law

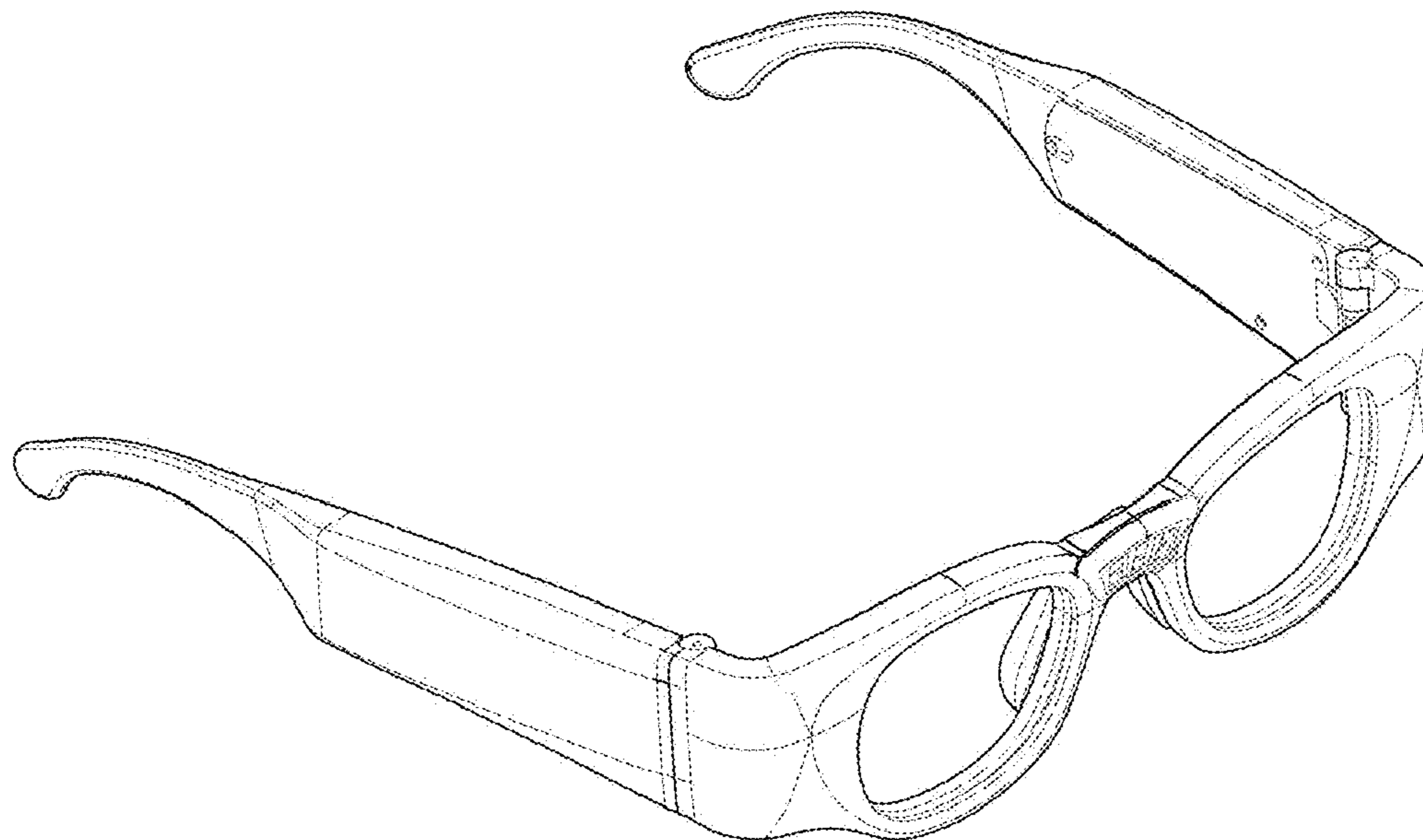
(57) **CLAIM**

The ornamental design for eyeglasses, as shown and described.

**DESCRIPTION**

FIG. 1 is a front perspective view of eyeglasses showing my new design;  
FIG. 2 is a rear perspective view thereof;  
FIG. 3 is a front elevational view thereof;  
FIG. 4 is a rear elevational view thereof;  
FIG. 5 is a right side elevational view thereof;  
FIG. 6 is a top plan view thereof; and,  
FIG. 7 is a bottom plan view thereof.

**1 Claim, 7 Drawing Sheets**



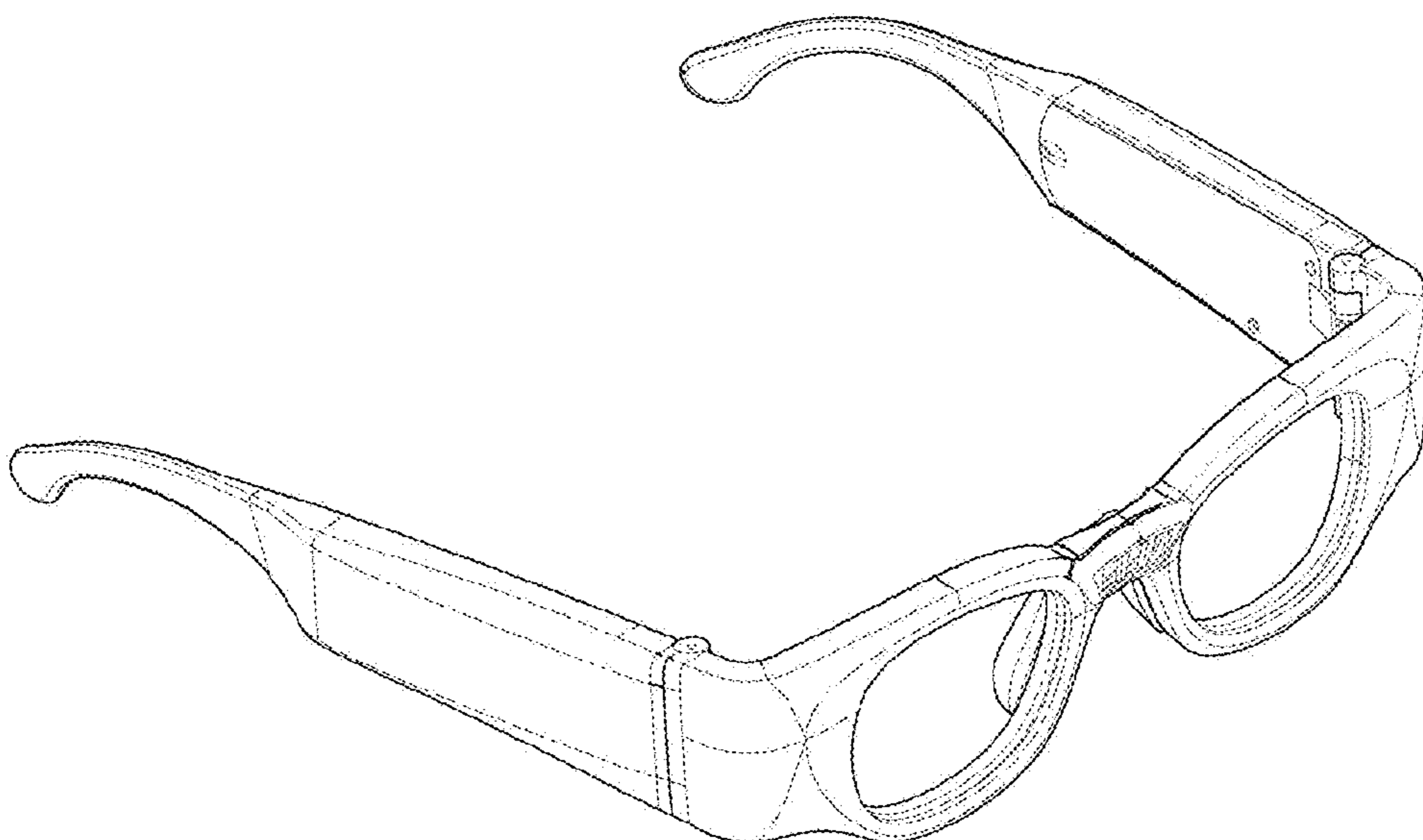


FIG. 1

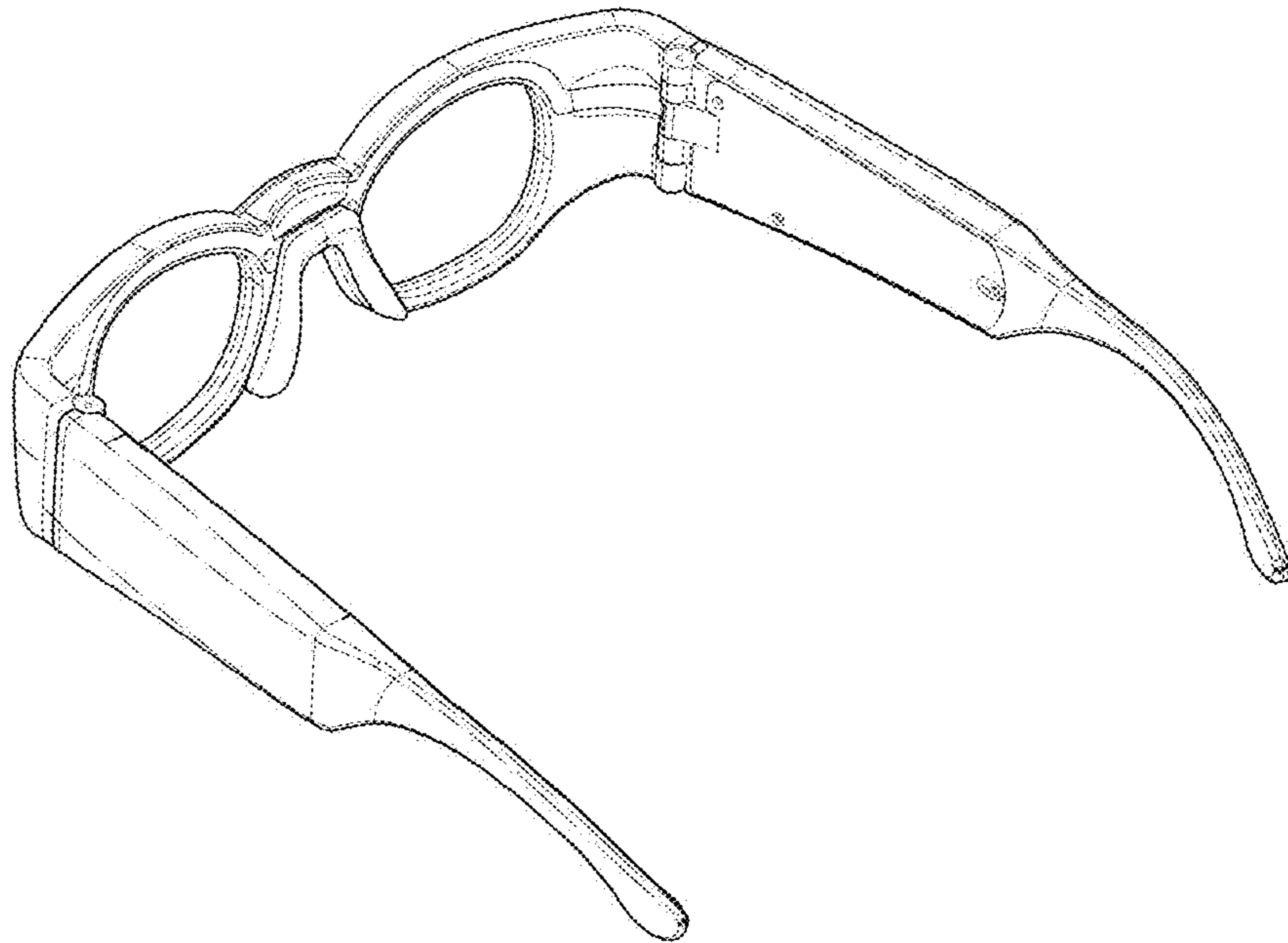


FIG. 2

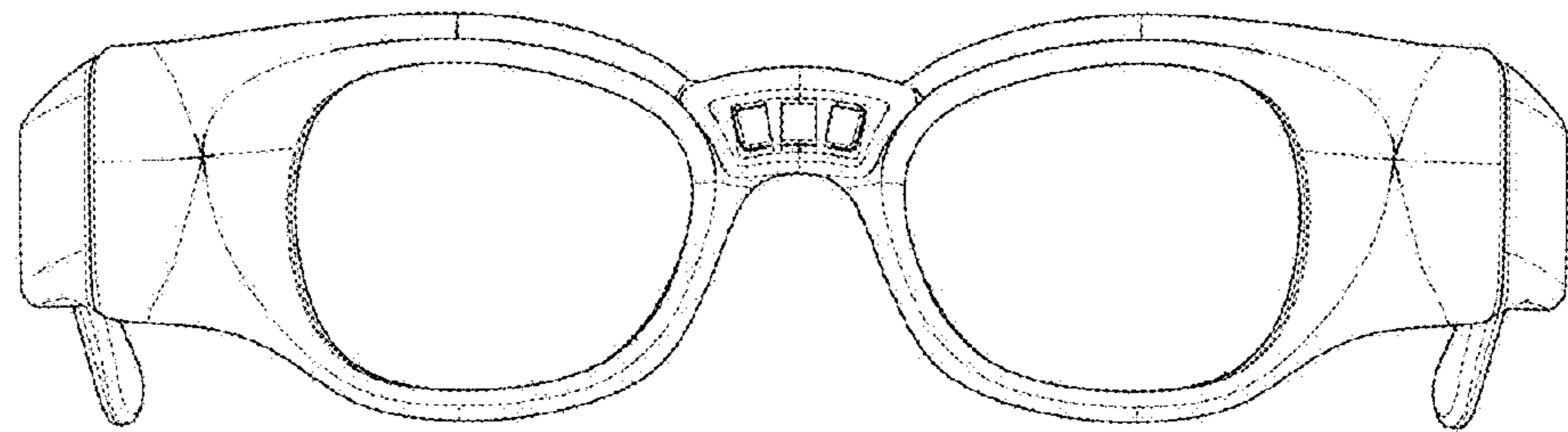


FIG. 3

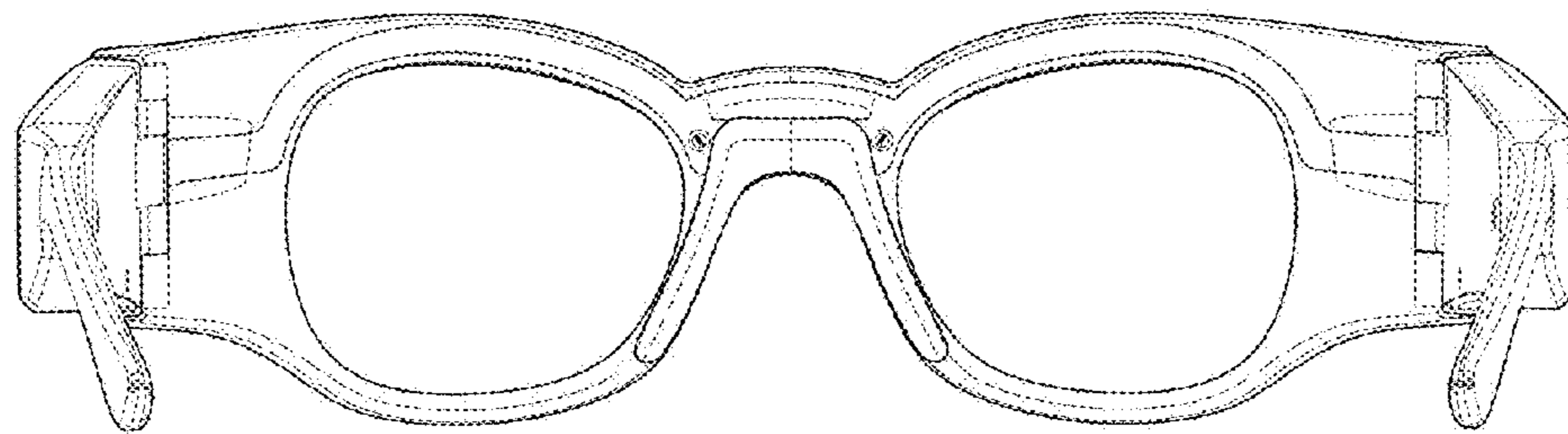


FIG. 4

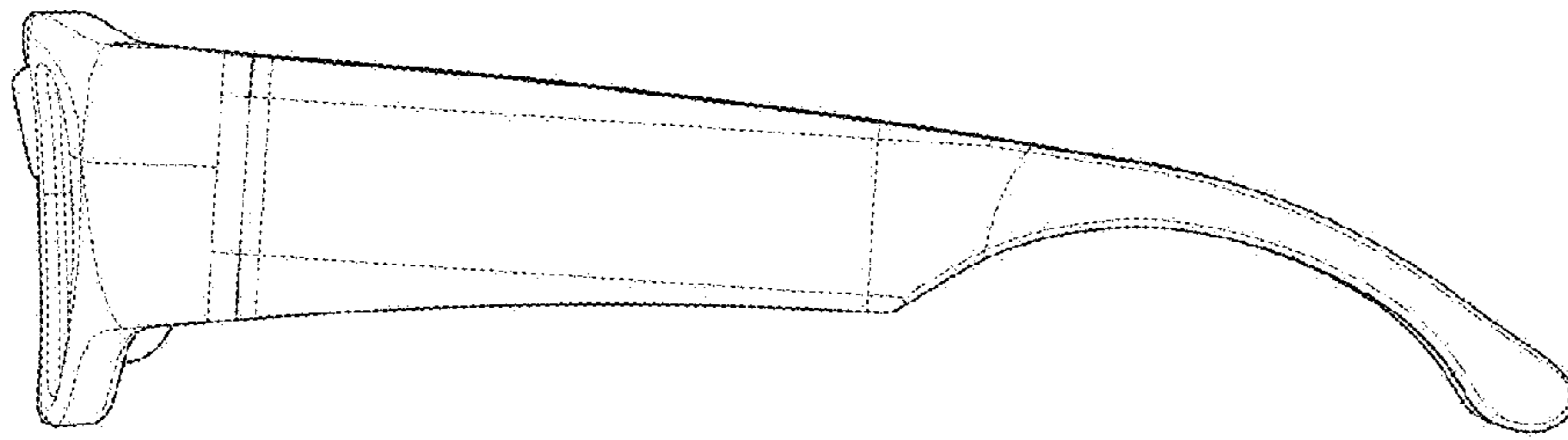


FIG. 5

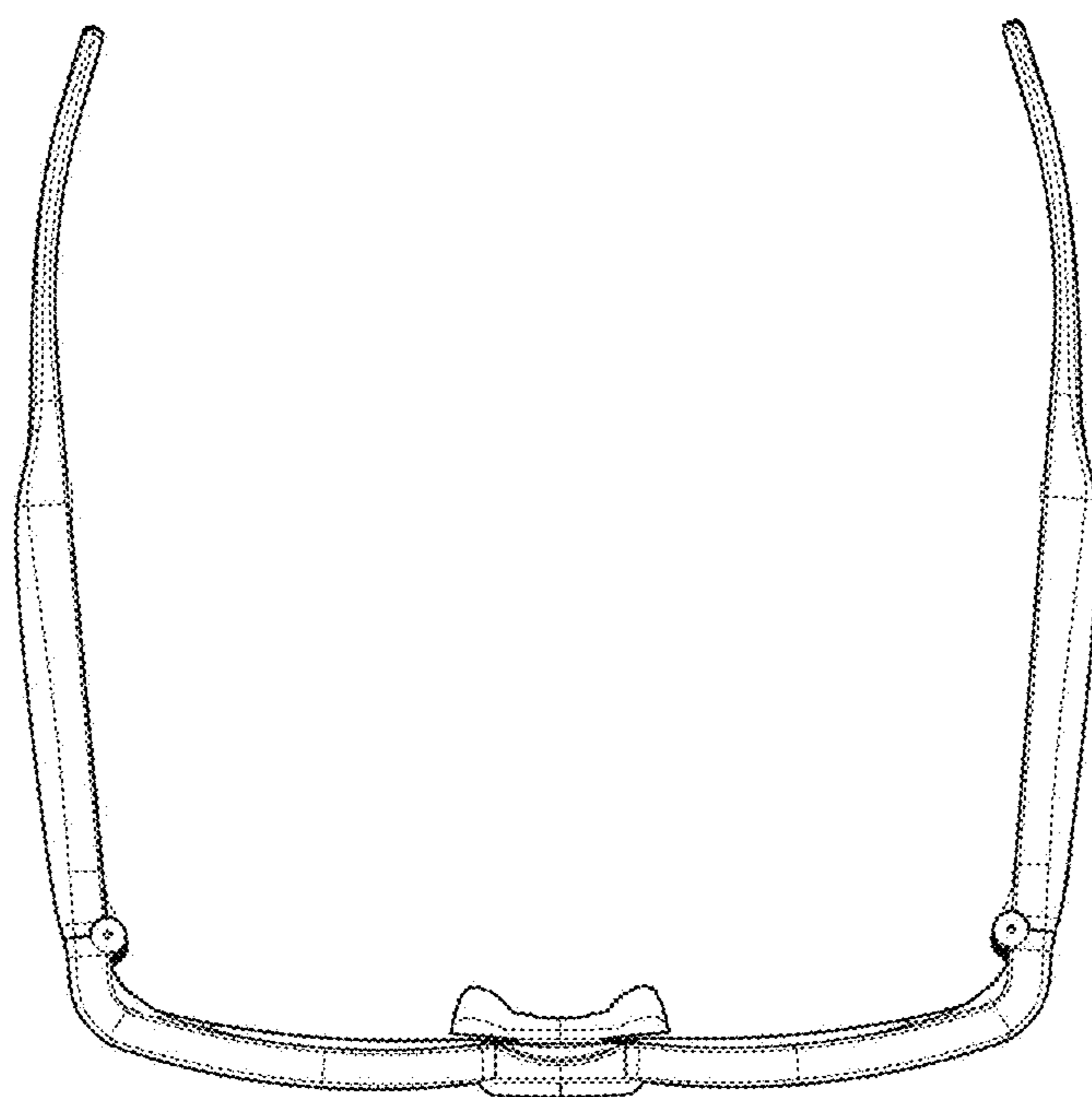


FIG. 6

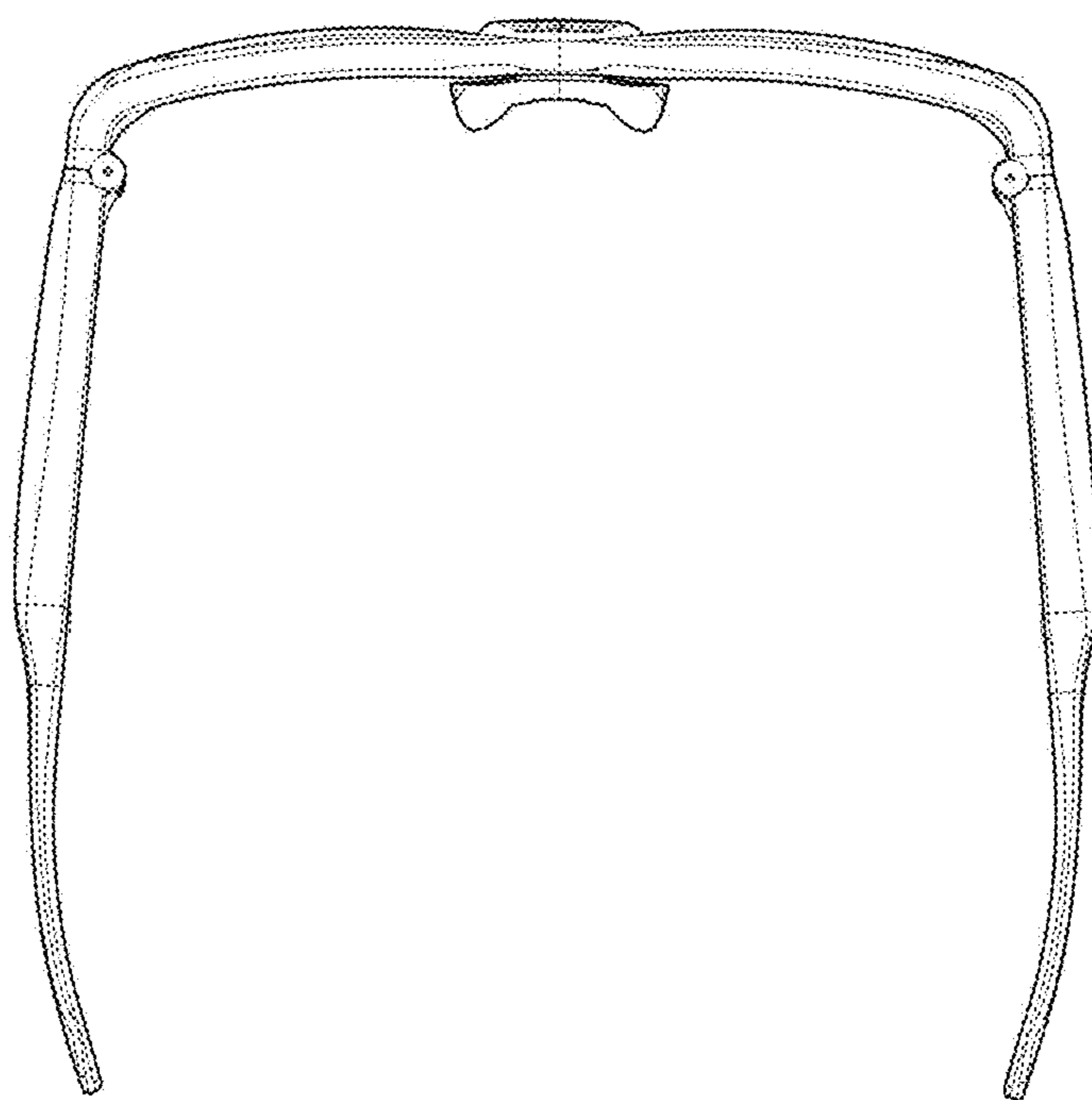


FIG. 7