



US00D687085S

(12) **United States Design Patent**
Manson

(10) **Patent No.:** **US D687,085 S**
(45) **Date of Patent:** **** Jul. 30, 2013**

(54) **PHOTOGRAPHIC MOUNT**

(75) Inventor: **Graham Manson**, Enner Glynn Nelson (NZ)

(73) Assignee: **Kia Rere Innovations Limited**, Enner Glynn Nelson (NZ)

(**) Term: **14 Years**

(21) Appl. No.: **29/418,283**

(22) Filed: **Apr. 13, 2012**

(30) **Foreign Application Priority Data**

Oct. 25, 2011 (NZ) 415447
Mar. 23, 2012 (EP) 002013599-0001

(51) **LOC (9) Cl.** **16-05**

(52) **U.S. Cl.**
USPC **D16/242**

(58) **Field of Classification Search**
USPC D16/241, 242, 244, 245; 248/177.1, 248/183.3, 187.1; 352/343; 396/419, 428
See application file for complete search history.

(56) **References Cited**

U.S. PATENT DOCUMENTS

2,336,104 A * 12/1943 Laube et al. 248/183.1
3,638,502 A * 2/1972 Leavitt et al. 74/5.34
D301,249 S * 5/1989 Olson D16/244
5,029,795 A * 7/1991 Dexter 248/431
D457,595 S * 5/2002 Ellsworth et al. D23/200

D484,168 S * 12/2003 Dordick D16/242
7,163,181 B2 * 1/2007 Omgs 248/181.1
7,448,812 B2 * 11/2008 Heibel 396/419
D596,658 S * 7/2009 Dordick D16/242
7,621,492 B2 * 11/2009 Omgs 248/181.1
D629,440 S * 12/2010 Newman D16/242
D653,692 S * 2/2012 Dordick D16/242
D663,350 S * 7/2012 O'Donnell et al. D16/242

FOREIGN PATENT DOCUMENTS

CN 101021673 A 8/2007

* cited by examiner

Primary Examiner — Philip S Hyder

Assistant Examiner — Darlington Ly

(74) *Attorney, Agent, or Firm* — Knobbe Martens Olson & Bear LLP

(57) **CLAIM**

The ornamental design for a photographic mount, as shown and described.

DESCRIPTION

FIG. 1 is a perspective view of the photographic mount showing the new design.

FIG. 2 is a right side elevational view thereof.

FIG. 3 is a left side elevational view thereof.

FIG. 4 is a top plan view thereof.

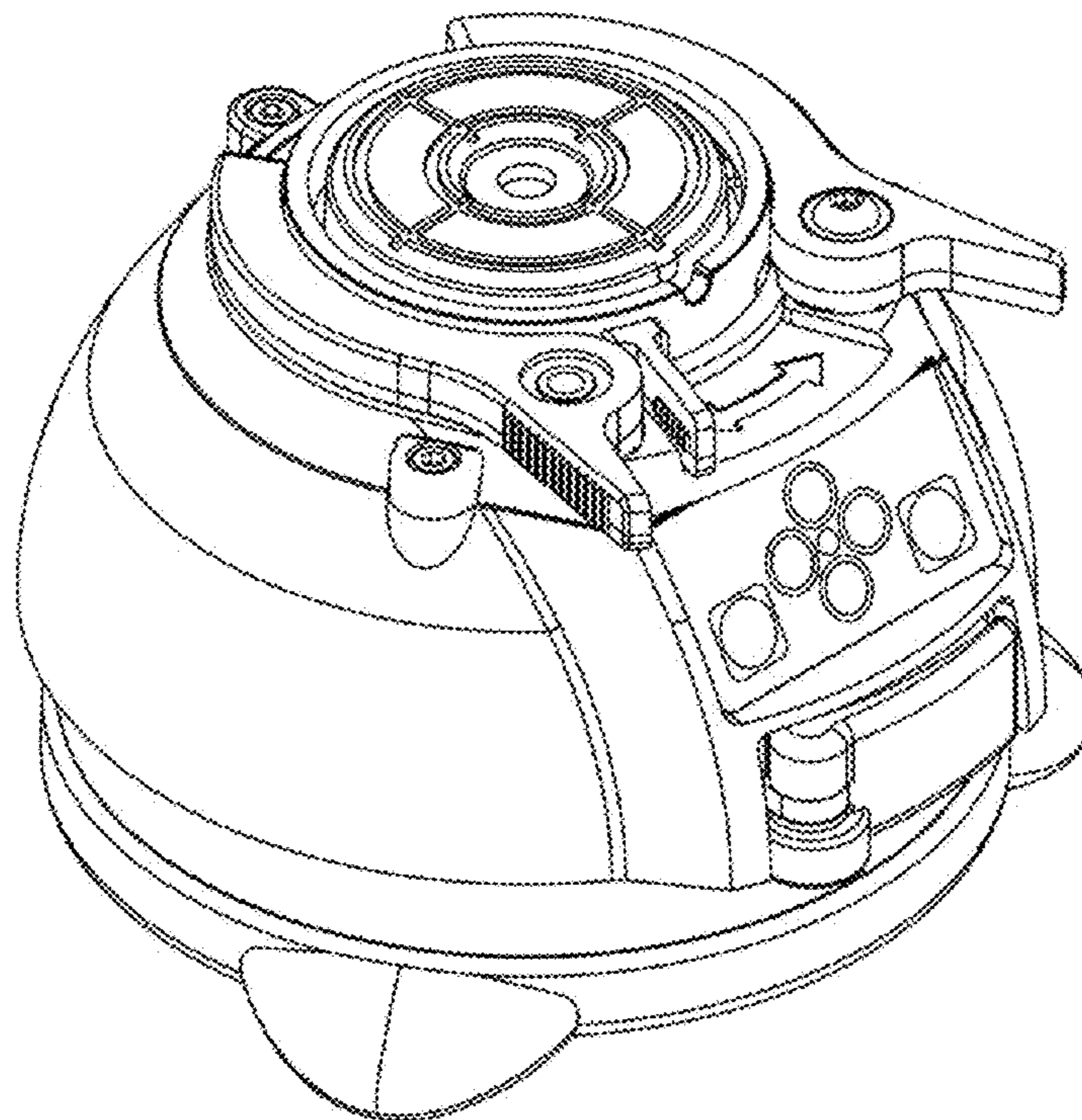
FIG. 5 is a bottom plan view thereof.

FIG. 6 is a front view thereof; and,

FIG. 7 is a back view thereof.

The broken lines illustrate portions of the photographic mount that form no part of claimed design.

1 Claim, 7 Drawing Sheets



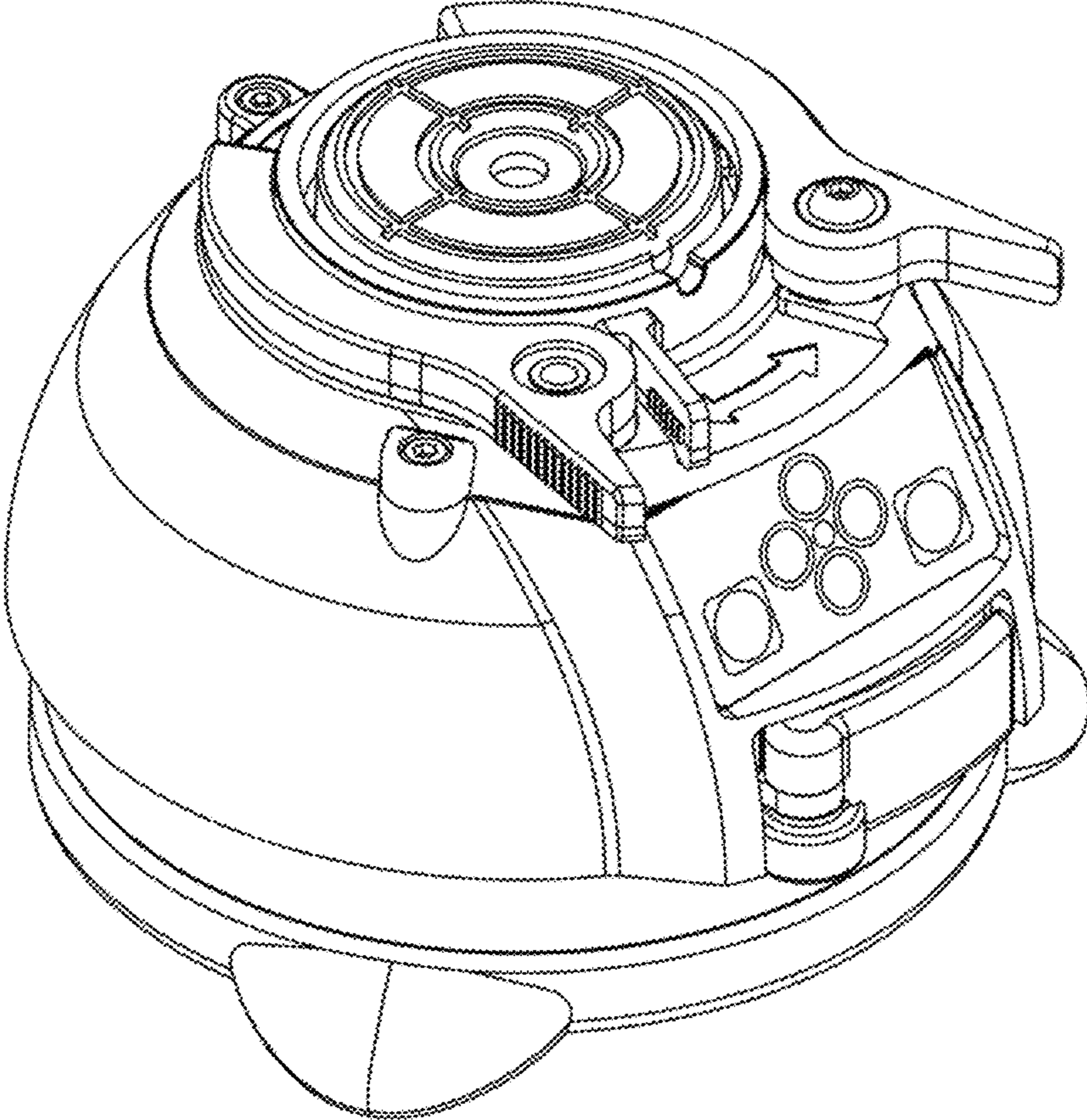


FIGURE 1

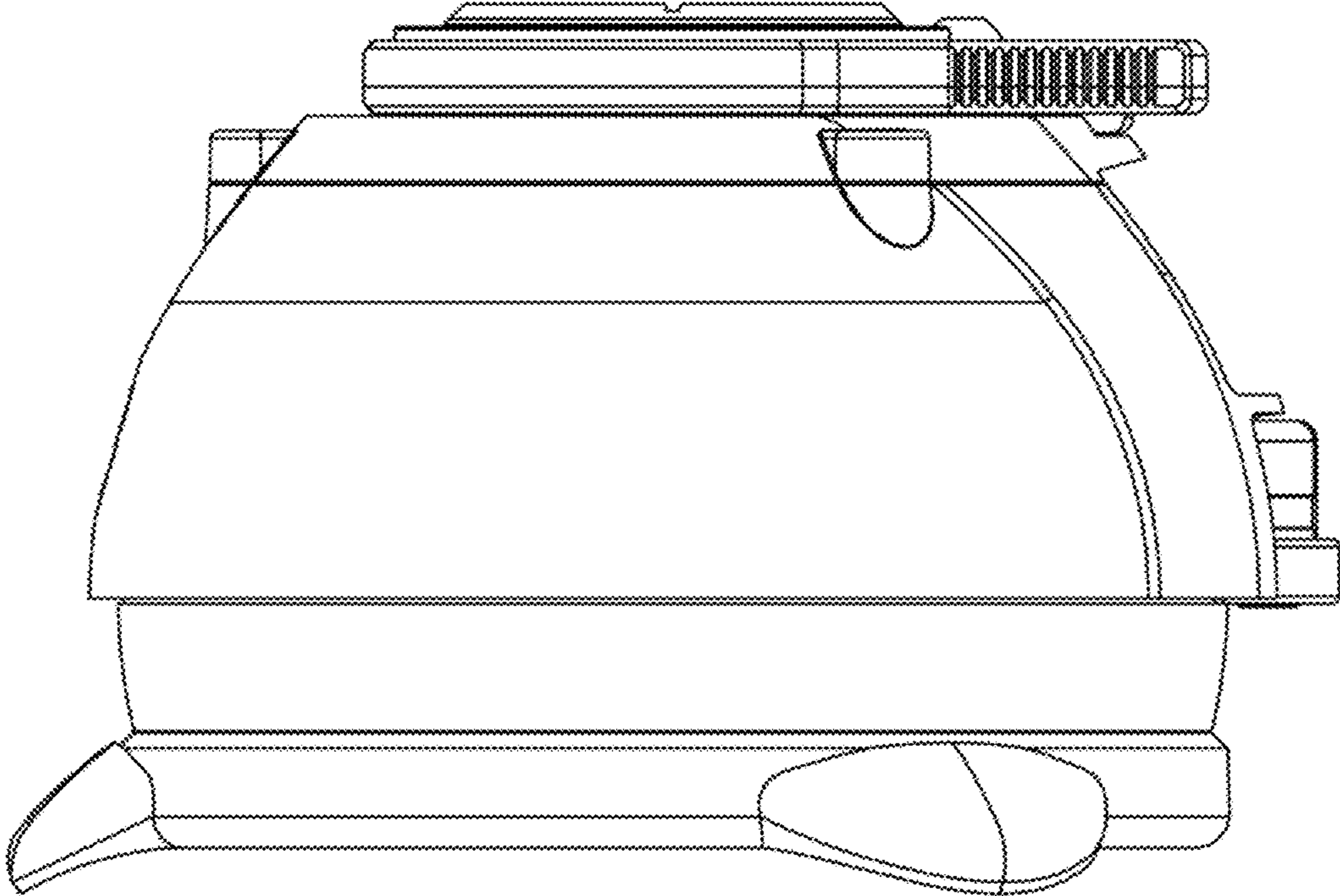


FIGURE 2

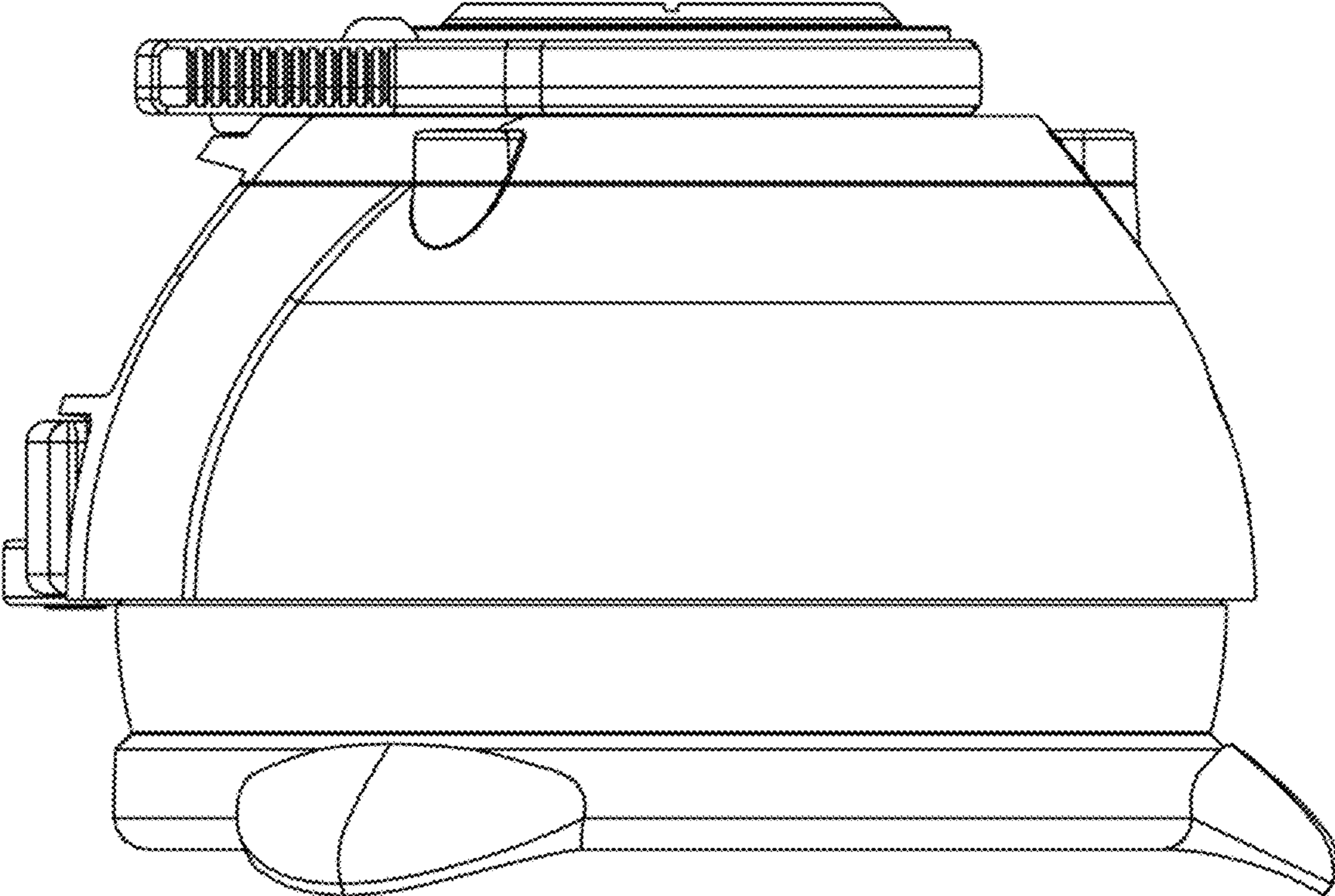


FIGURE 3

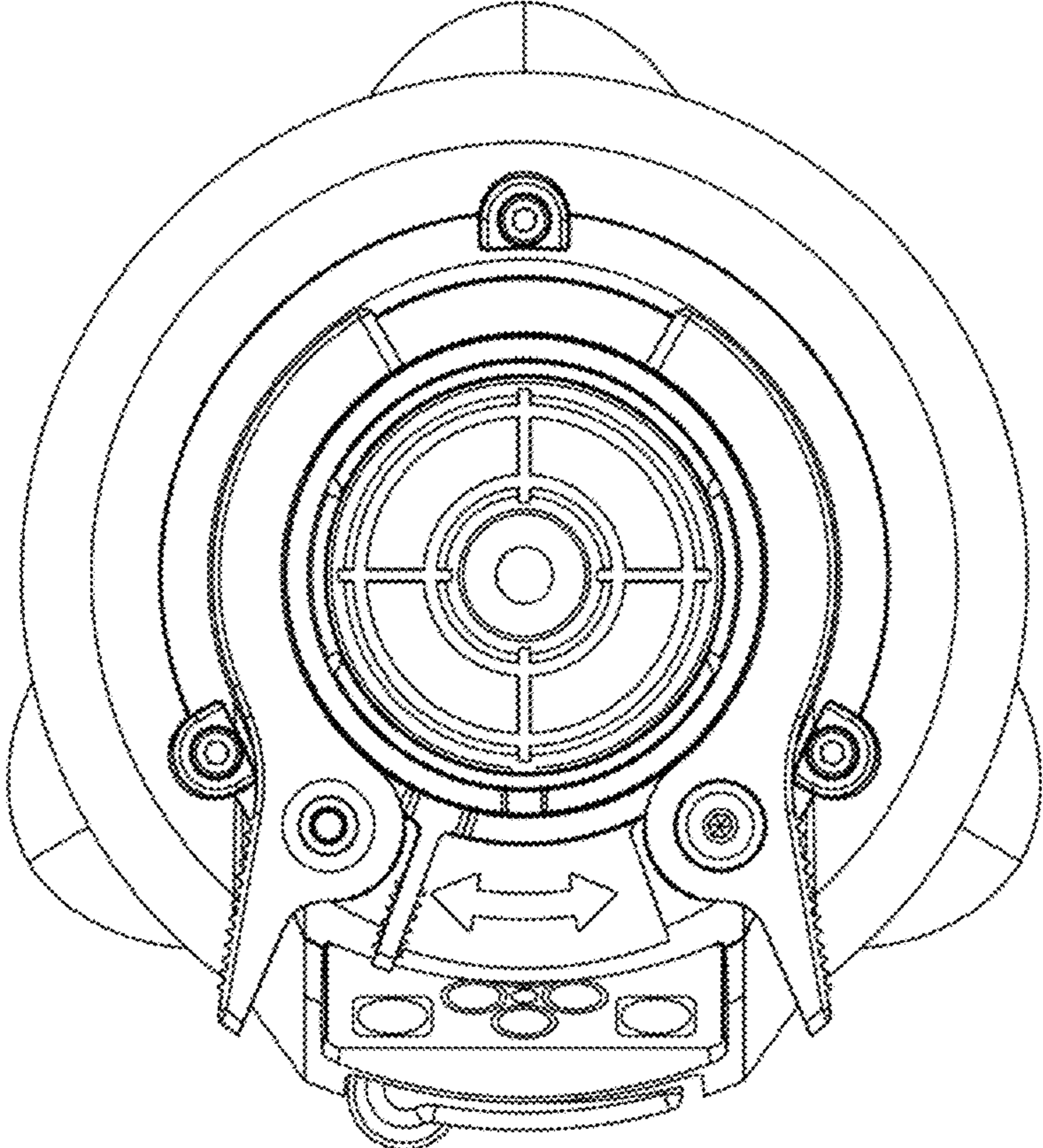


FIGURE 4

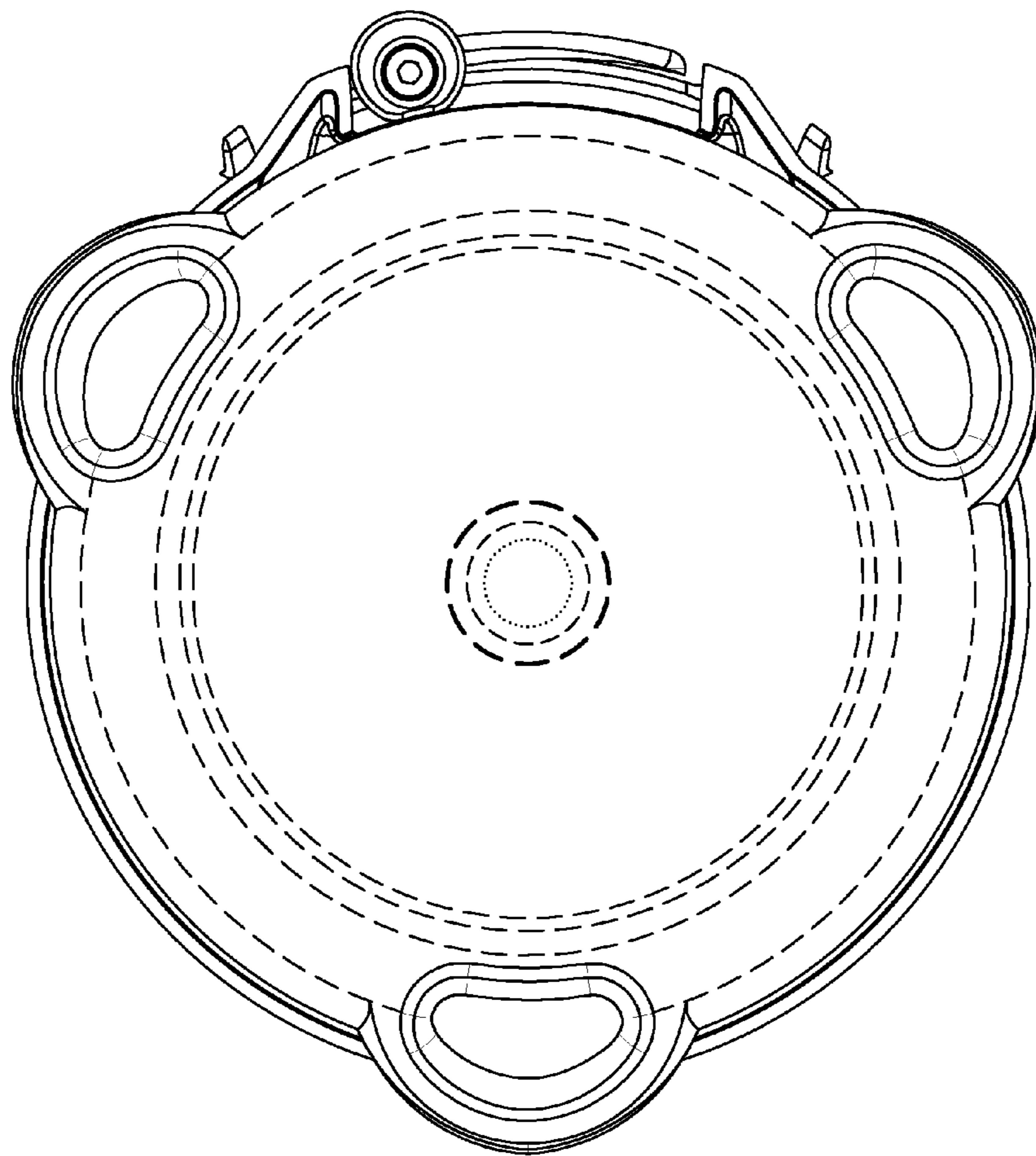


FIG. 5

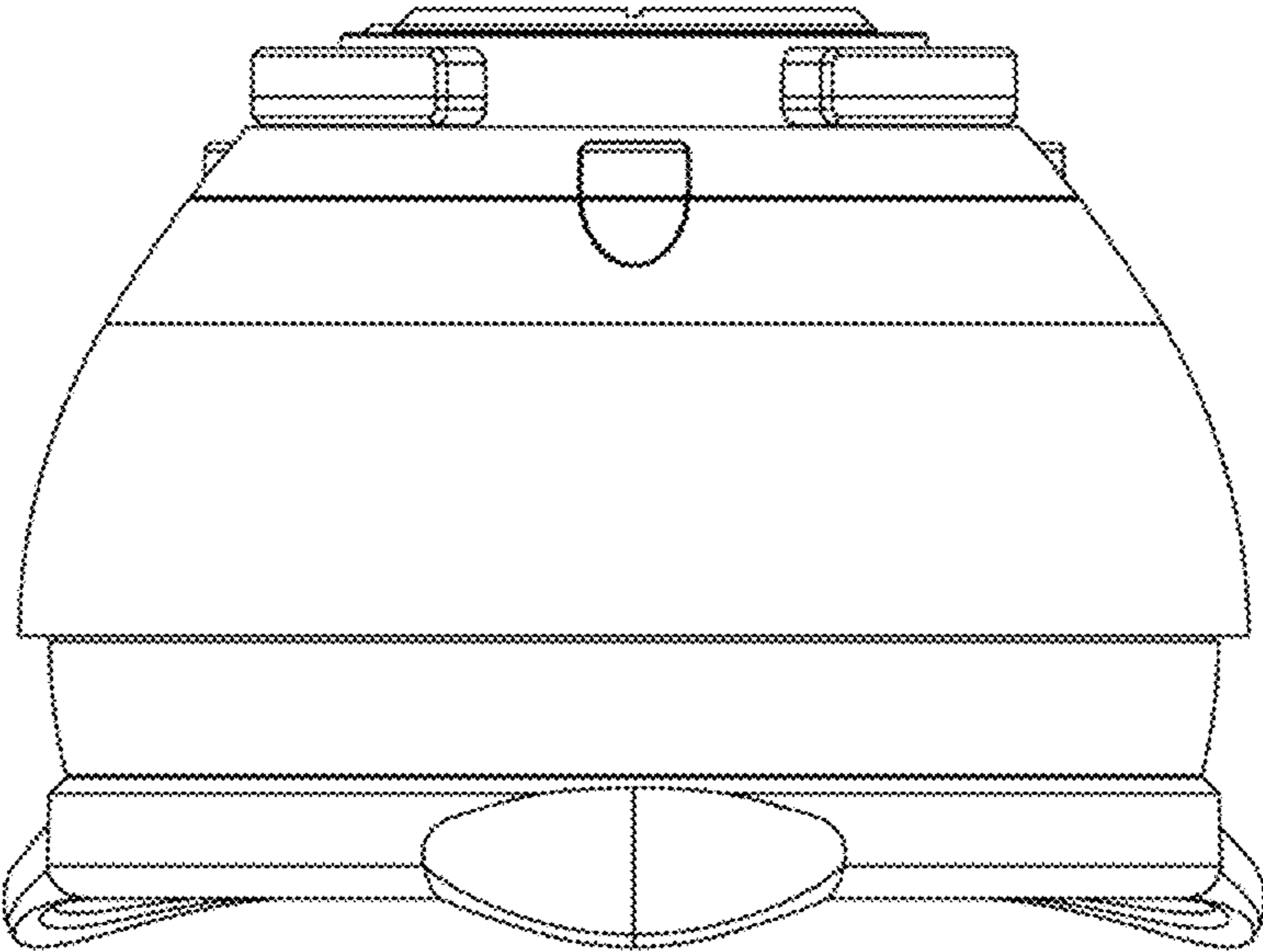


FIGURE 6

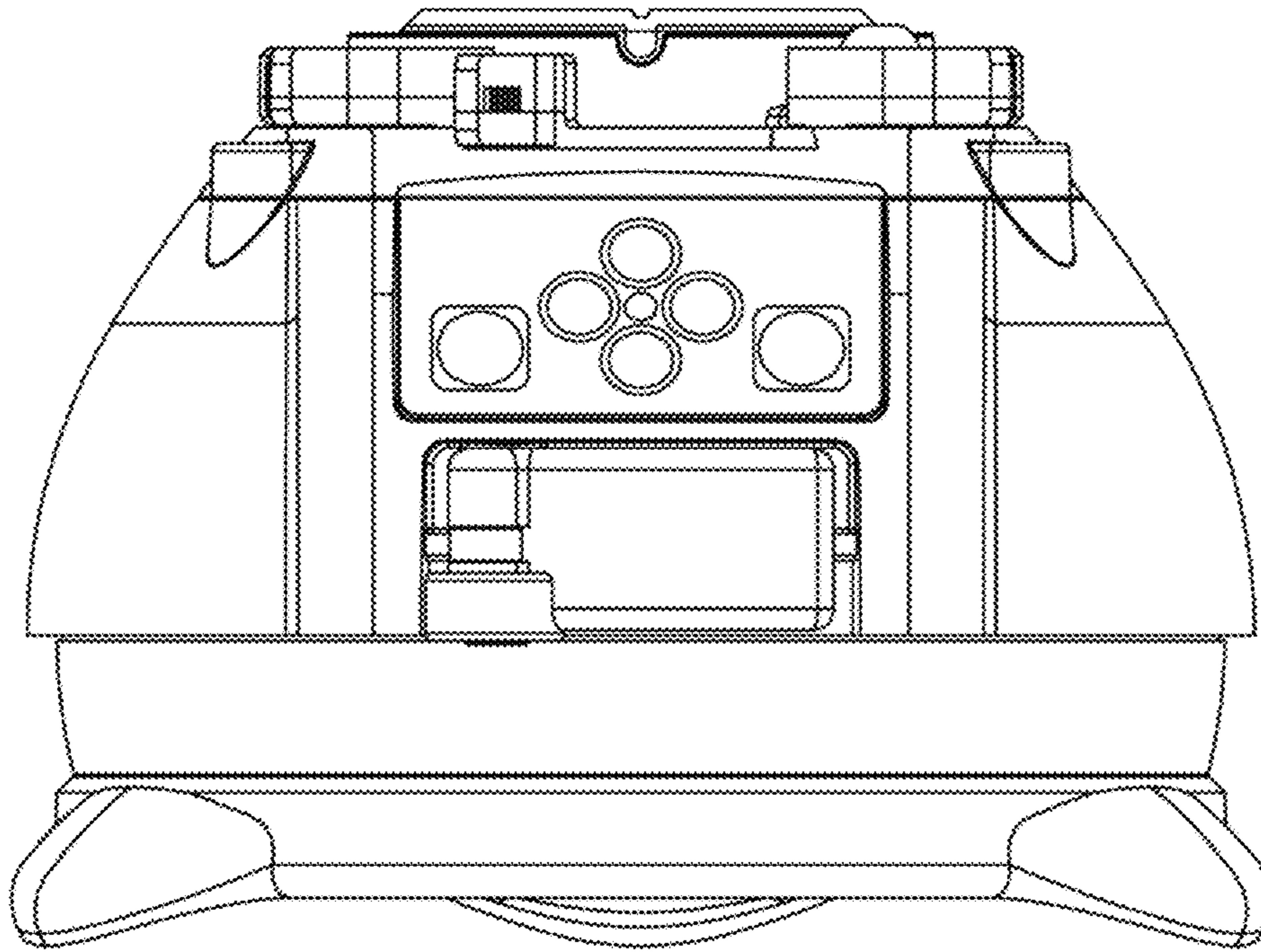


FIGURE 7