



US00D687083S

(12) **United States Design Patent**  
**Nakajima et al.**

(10) **Patent No.:** **US D687,083 S**  
(45) **Date of Patent:** **\*\* Jul. 30, 2013**

(54) **CAMERA**  
(75) Inventors: **Kenzo Nakajima**, Tokyo (JP);  
**Katsuhisa Hakoda**, Tokyo (JP)  
(73) Assignee: **Sony Corporation**, Tokyo (JP)  
(\*\*) Term: **14 Years**

D542,322 S 5/2007 Miyashita  
D542,323 S 5/2007 Takagi  
D546,859 S 7/2007 Ishii  
D550,746 S \* 9/2007 Inaba ..... D16/202  
D557,311 S \* 12/2007 Hanafusa et al. .... D16/219  
D557,313 S \* 12/2007 Hayamizu ..... D16/219  
D564,563 S \* 3/2008 Kamiya et al. .... D16/219  
D605,677 S \* 12/2009 Shimobayashi ..... D16/202  
D631,499 S \* 1/2011 Meguro ..... D16/219  
D652,067 S \* 1/2012 Katsuraku et al. .... D16/219

(21) Appl. No.: **29/371,632**  
(22) Filed: **Jun. 13, 2011**

**FOREIGN PATENT DOCUMENTS**

JP D1378852 2/2010

\* cited by examiner

(30) **Foreign Application Priority Data**  
Dec. 13, 2010 (JP) ..... D2010-029640  
Dec. 28, 2010 (JP) ..... D2010-031443

*Primary Examiner* — Adir Aronovich

(74) *Attorney, Agent, or Firm* — Rader, Fishman & Grauer  
PLLC

(51) **LOC (9) Cl.** ..... **16-05**  
(52) **U.S. Cl.**  
USPC ..... **D16/219**

(57) **CLAIM**

The ornamental design for a camera, as shown and described.

(58) **Field of Classification Search**  
USPC ..... D16/200, 202, 204, 206, 218, 219;  
348/373–376; 396/535–541  
See application file for complete search history.

**DESCRIPTION**

FIG. 1 is a perspective view of a camera showing my new design;  
FIG. 2 is a front elevational view thereof;  
FIG. 3 is a rear elevational view thereof;  
FIG. 4 is a left side elevational view thereof;  
FIG. 5 is a right side elevational view thereof; and,  
FIG. 6 is a top plan view thereof.  
Portions in broken lines are for illustrative purposes only and form no part of the claimed design. Dot-dash broken lines define the boundaries of, but not included in, the claimed design.

(56) **References Cited**  
**U.S. PATENT DOCUMENTS**  
D391,590 S 3/1998 Sumita  
D411,219 S 6/1999 Sumita  
D486,469 S 2/2004 Morita  
D496,678 S 9/2004 Kawase  
D501,496 S 2/2005 Sadatsuki  
D508,711 S \* 8/2005 Suzuki ..... D16/218  
D508,937 S 8/2005 Sadatsuki  
D536,720 S 2/2007 Miyashita

**1 Claim, 5 Drawing Sheets**

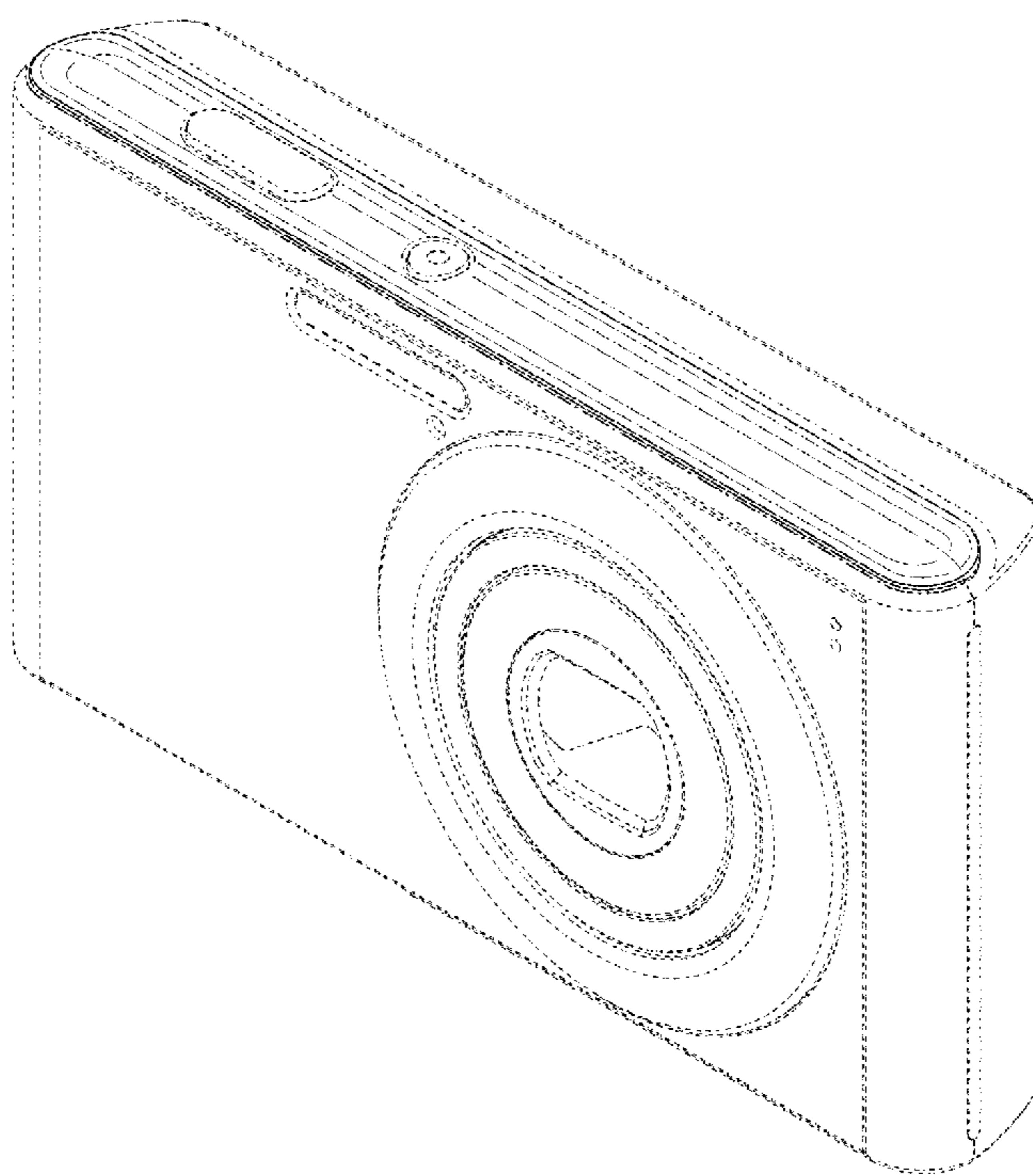


FIG. 1

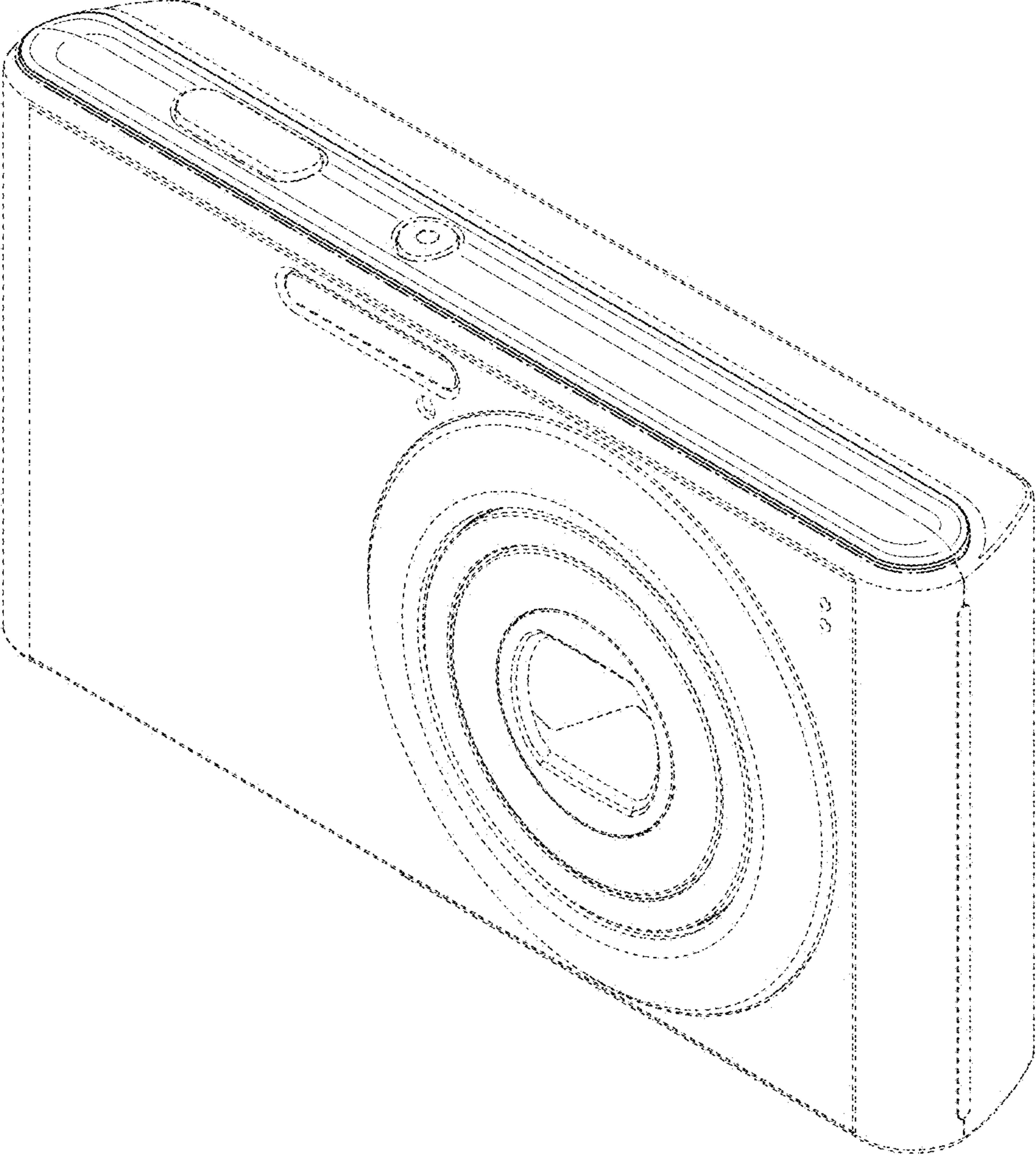


FIG.2

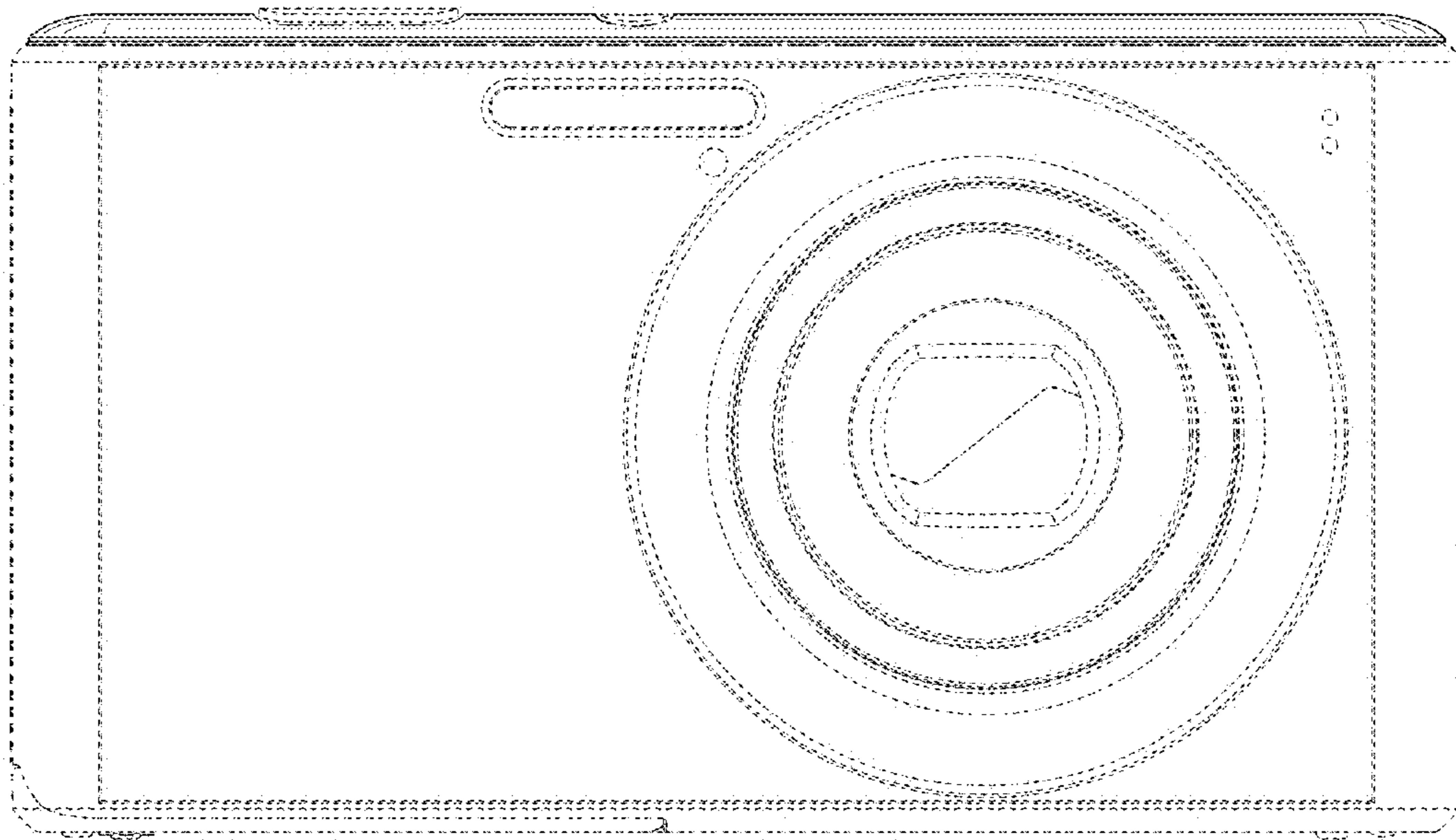


FIG.3

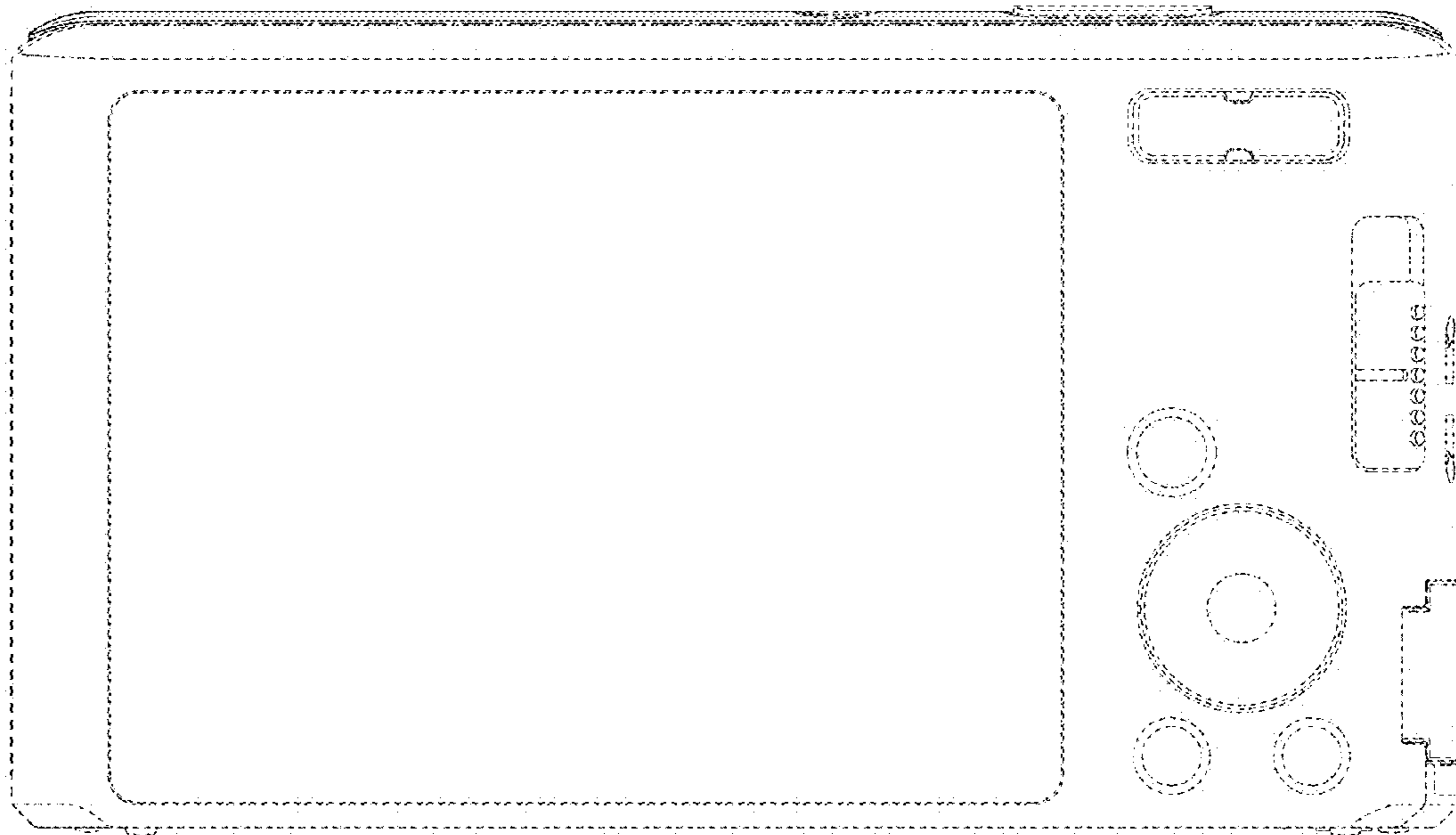


FIG.4

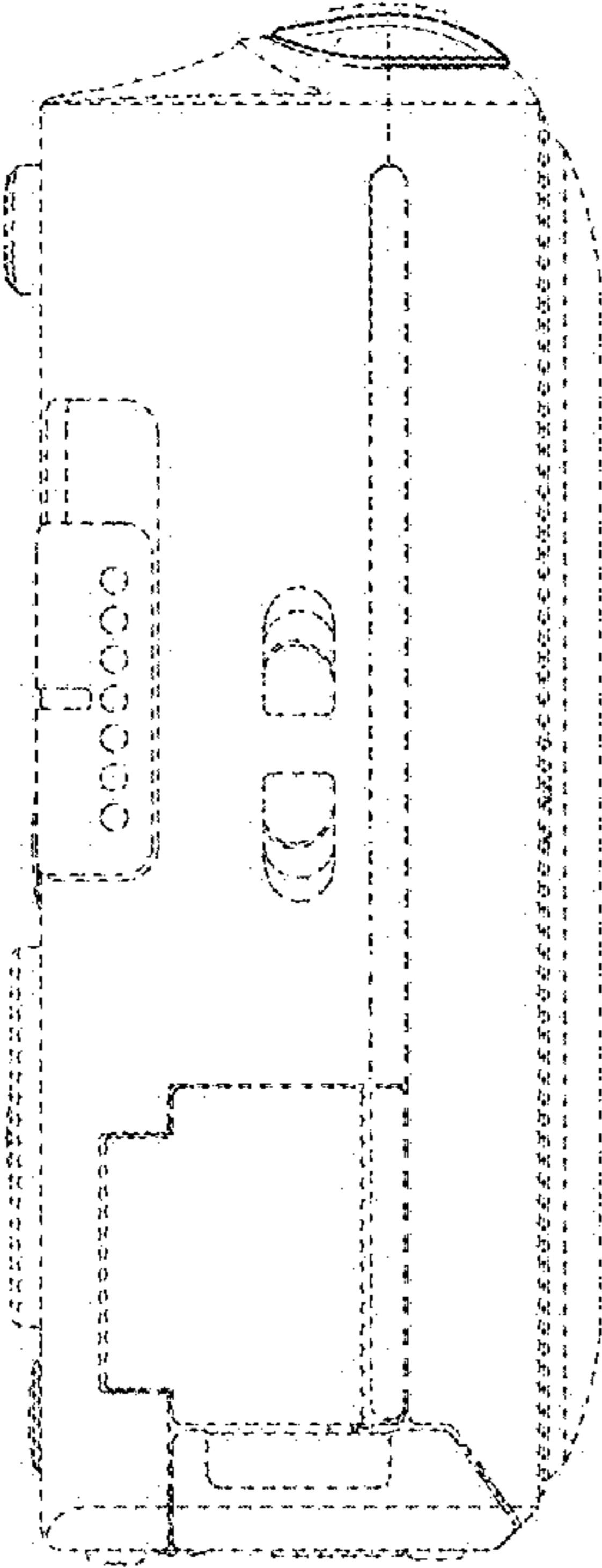


FIG.5

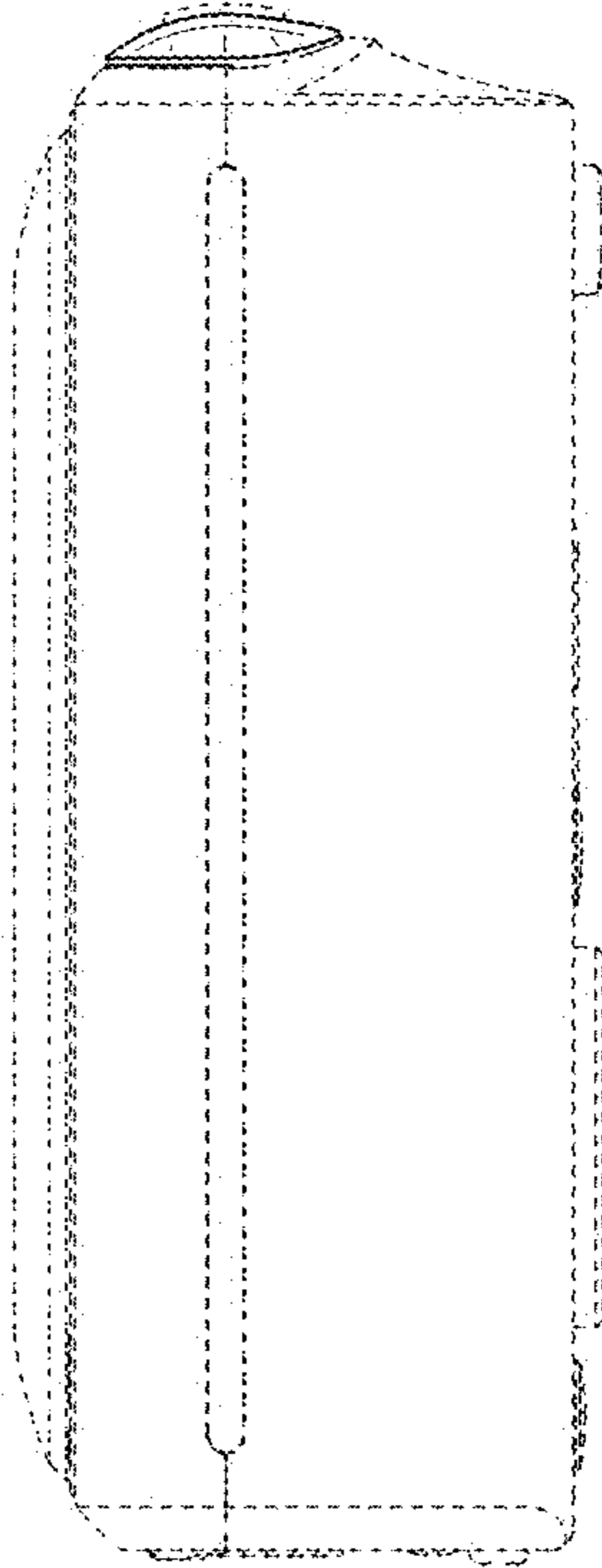


FIG.6

