



US00D687082S

(12) **United States Design Patent**
Wang et al.

(10) **Patent No.:** **US D687,082 S**
(45) **Date of Patent:** **** Jul. 30, 2013**

(54) **WEB CAMERA**

(75) Inventors: **Chu-Fu Wang**, New Taipei (TW);
Chang-Ta Miao, Taipei (TW);
Gwo-Chyuan Chen, Taipei (TW)
(73) Assignee: **Quanta Computer Inc.**, Taoyuan Shien
(TW)

(**) Term: **14 Years**

(21) Appl. No.: **29/424,343**

(22) Filed: **Jun. 11, 2012**

(30) **Foreign Application Priority Data**
May 2, 2012 (TW) 101302468
(51) **LOC (9) Cl.** **16-01**
(52) **U.S. Cl.**
USPC **D16/202; D16/242**
(58) **Field of Classification Search**
USPC D16/200, 202, 208, 218, 242; 348/143,
348/373; 396/419, 535, 540, 541
See application file for complete search history.

(56) **References Cited**

U.S. PATENT DOCUMENTS			
D619,484	S	*	7/2010 Ikeda et al. D10/106.7
D662,532	S	*	6/2012 Chang D16/202
D664,579	S	*	7/2012 Tzeng D16/202
D665,441	S	*	8/2012 McManigal D16/202
D669,111	S	*	10/2012 Ravi et al. D16/202
D674,430	S	*	1/2013 Inoue D16/218
D675,660	S	*	2/2013 Su D16/202

* cited by examiner

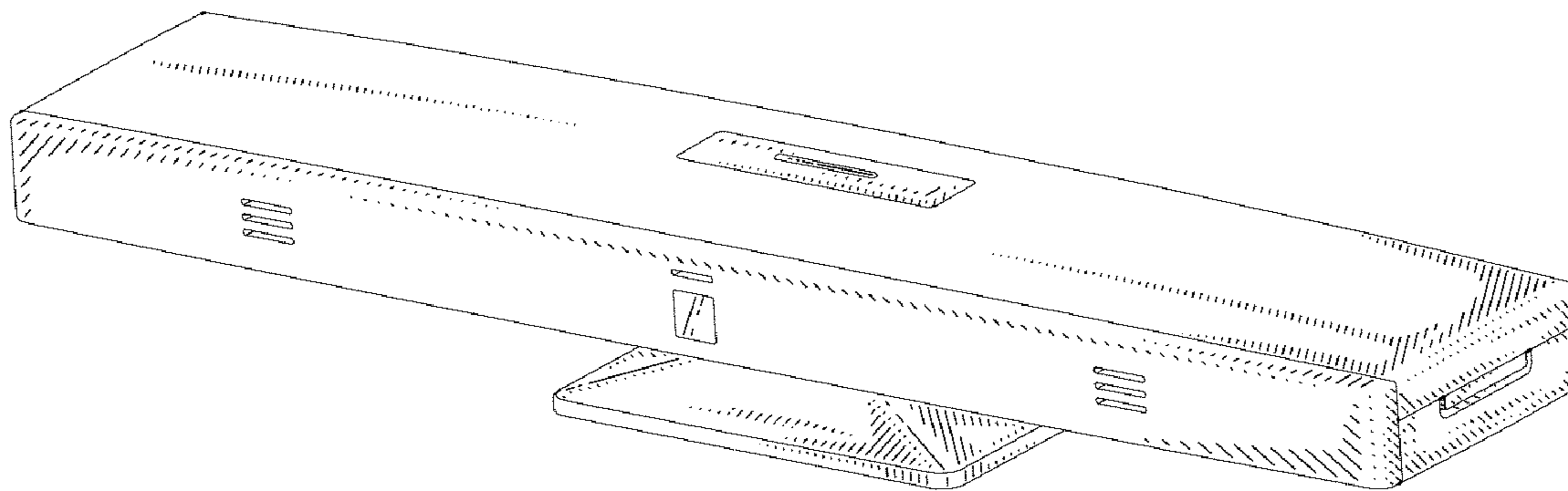
Primary Examiner — Adir Aronovich
(74) *Attorney, Agent, or Firm* — Rabin & Berdo, P.C.

(57) **CLAIM**
The ornamental design for a web camera, as shown and described.

DESCRIPTION

FIG. 1 is a front, top and right side perspective view of a web camera showing our new design;
FIG. 2 is a front elevational view thereof;
FIG. 3 is a rear elevational view thereof;
FIG. 4 left side elevational view thereof;
FIG. 5 is right side elevational view thereof;
FIG. 6 is top plan thereof; and,
FIG. 7 is bottom plan view thereof.

1 Claim, 4 Drawing Sheets



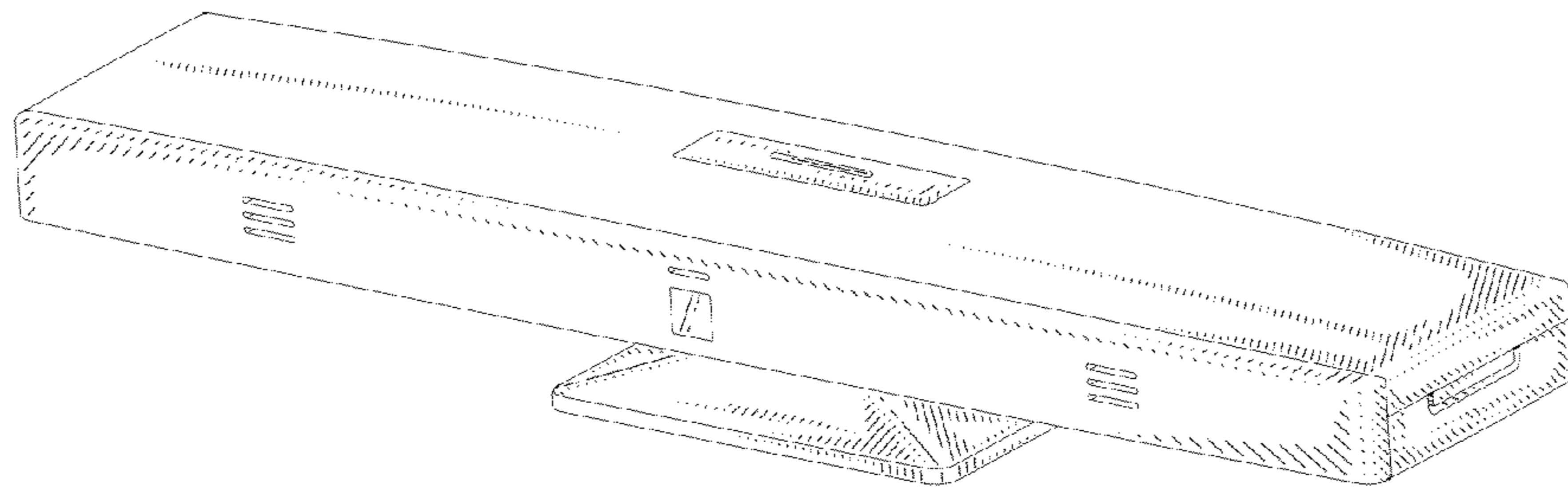


Fig. 1

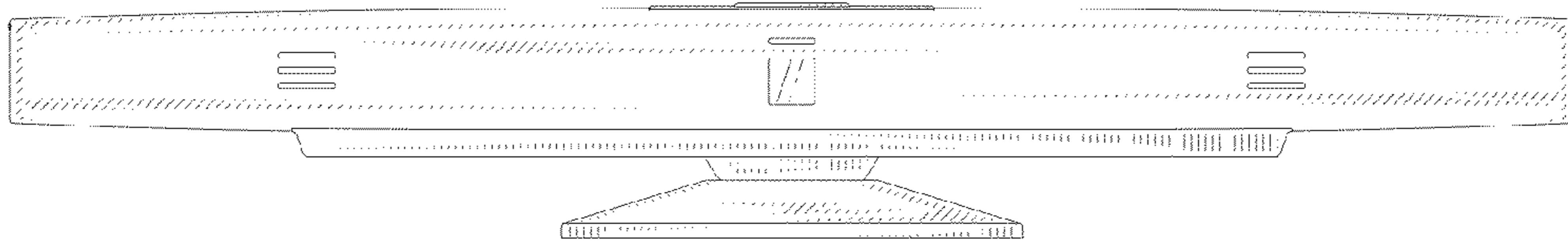


Fig. 2

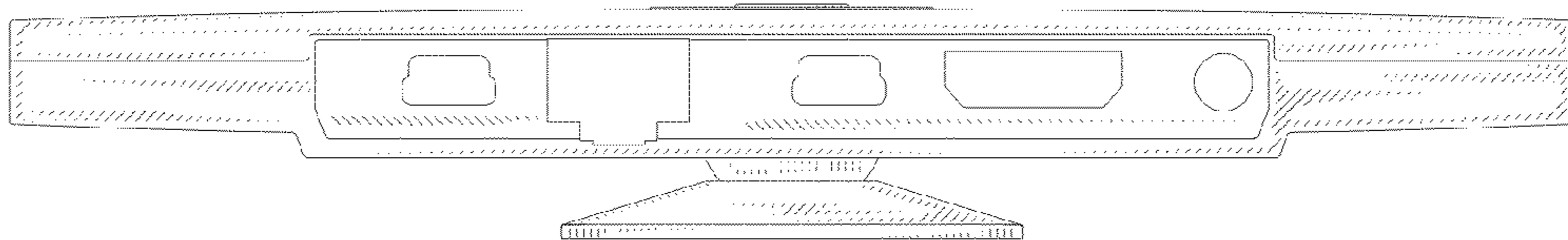


Fig. 3

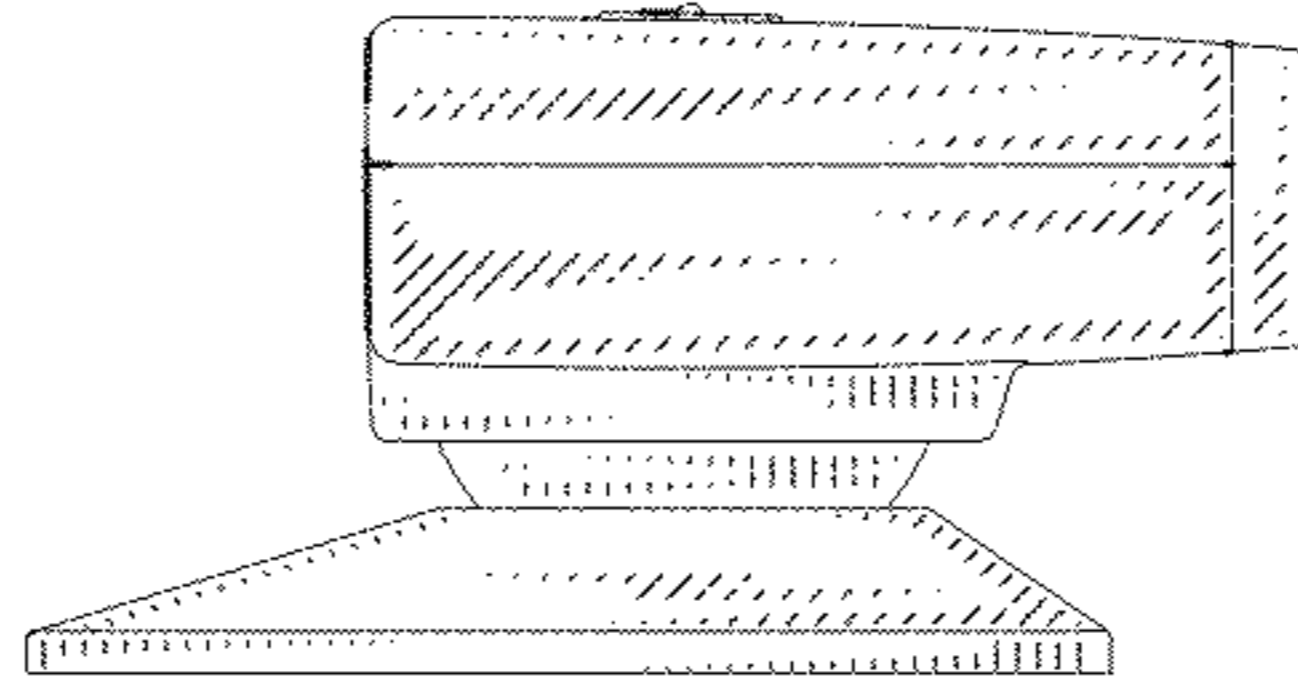


Fig. 4

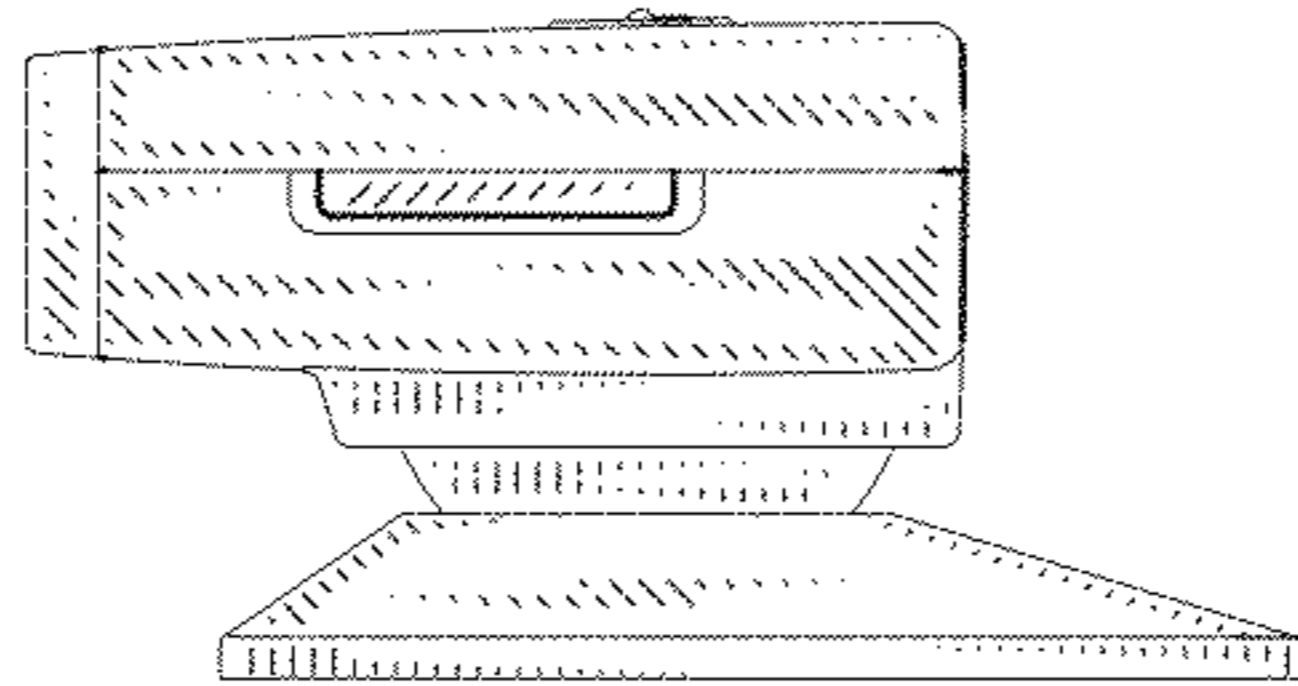


Fig. 5

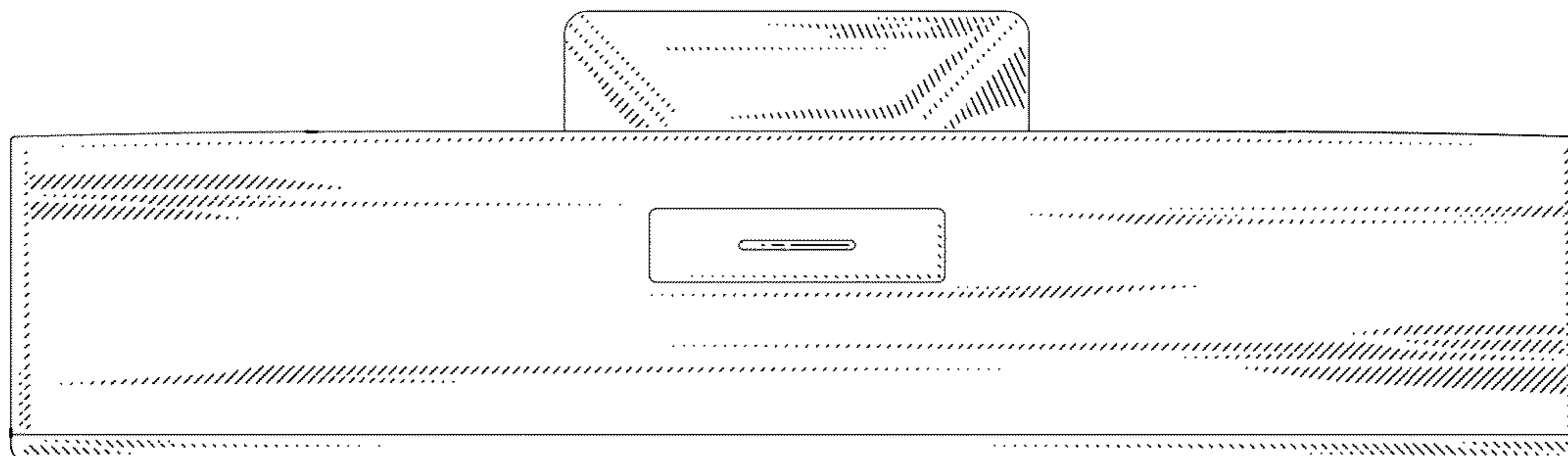


Fig. 6

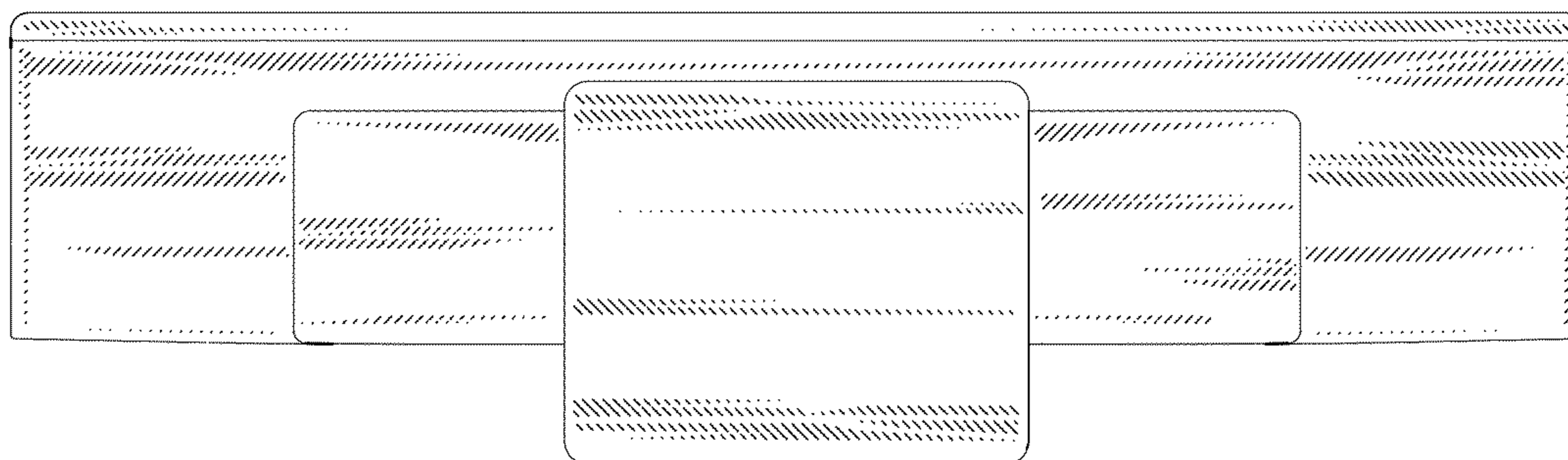


Fig. 7