



US00D687080S

(12) **United States Design Patent**  
**Carroll**

(10) **Patent No.:** **US D687,080 S**  
(45) **Date of Patent:** **\*\* Jul. 30, 2013**

- (54) **OIL FILTER FUNNEL**
- (71) Applicant: **Martin Carroll**, Crestview, FL (US)
- (72) Inventor: **Martin Carroll**, Crestview, FL (US)
- (\*\*) Term: **14 Years**
- (21) Appl. No.: **29/433,938**
- (22) Filed: **Oct. 5, 2012**
- (51) **LOC (9) Cl.** ..... **15-99**
- (52) **U.S. Cl.**  
USPC ..... **D15/150**
- (58) **Field of Classification Search**  
USPC ..... D7/700; D15/150, 151, 152; D23/200;  
D24/121-123; 141/95, 98, 297-300, 331-345  
See application file for complete search history.

- D422,674 S \* 4/2000 Chrisco et al. .... D23/200
- D496,216 S 9/2004 Morgan
- D499,180 S 11/2004 Best
- D541,116 S \* 4/2007 Upham et al. .... D7/700
- D554,166 S 10/2007 LaFollette
- D627,879 S \* 11/2010 Bruns ..... D24/122
- D632,144 S \* 2/2011 Weisenbach ..... D7/700
- 2004/0154696 A1 \* 8/2004 Koncelik et al. .... 141/331

\* cited by examiner

*Primary Examiner* — Patricia Palasik  
(74) *Attorney, Agent, or Firm* — QuickPatents; Kevin Prince

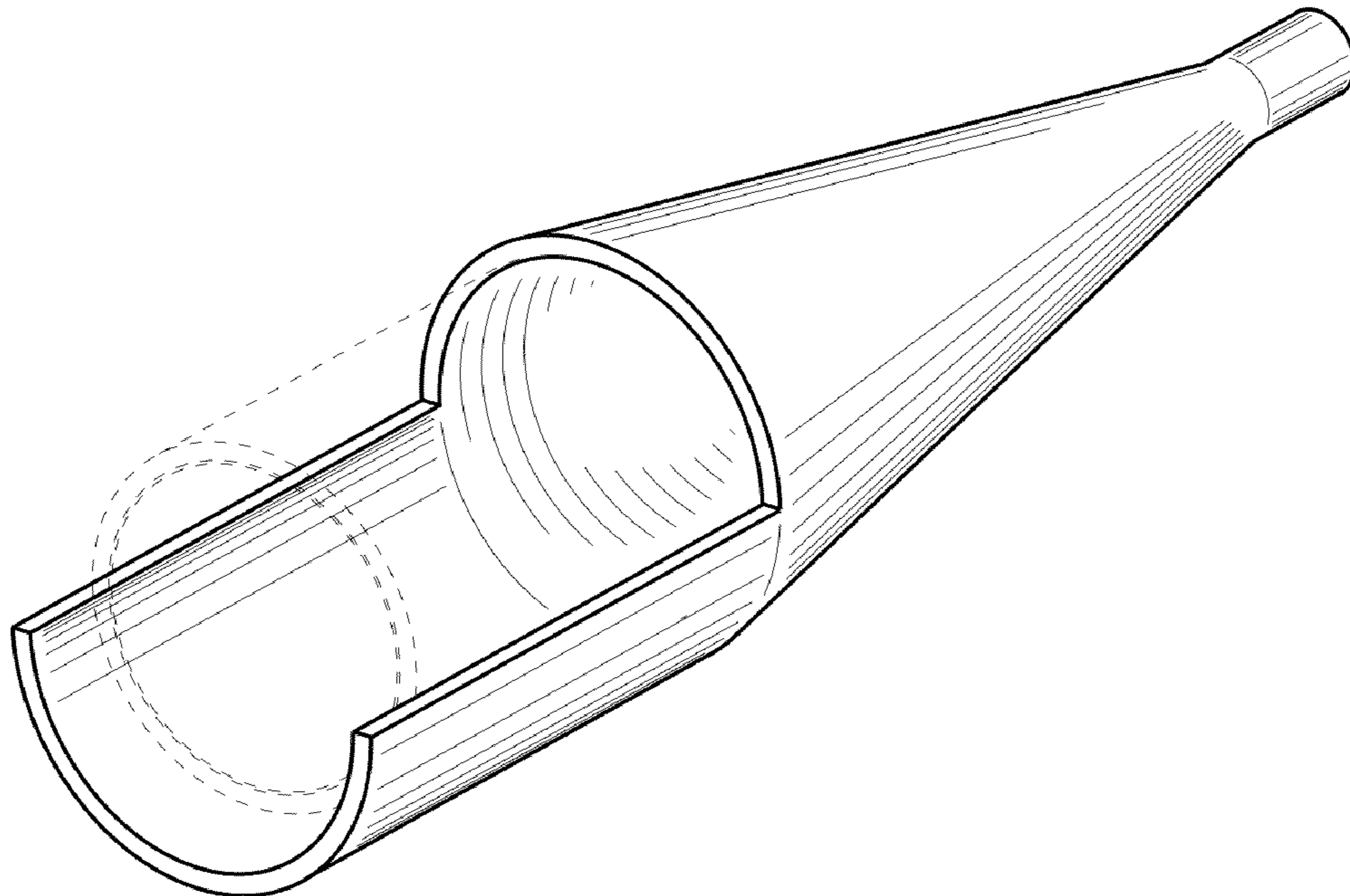
(57) **CLAIM**  
I claim the ornamental design for an oil filter funnel, as shown and described.

**DESCRIPTION**

FIG. 1 is a perspective view of an oil filter funnel, showing my new design;  
FIG. 2 is a left-side elevational view thereof, the right-side elevational view being a mirror image thereof;  
FIG. 3 is a front elevational view thereof;  
FIG. 4 is a rear elevational view thereof;  
FIG. 5 is a top plan view thereof; and,  
FIG. 6 is a bottom plan view thereof.  
The broken lines showing an oil can in FIG. 1 depict environmental matter and form no part of the claimed design.

**1 Claim, 2 Drawing Sheets**

- (56) **References Cited**  
U.S. PATENT DOCUMENTS  
D288,059 S \* 2/1987 Fling ..... D8/34  
D340,468 S 10/1993 Pollak  
D340,731 S 10/1993 Pollak  
D341,148 S 11/1993 Pollak  
D350,143 S 8/1994 Zimmerman  
D350,969 S 9/1994 Chrisco  
D367,067 S 2/1996 Speer  
D395,603 S 6/1998 Harris  
D398,619 S 9/1998 Yevcak



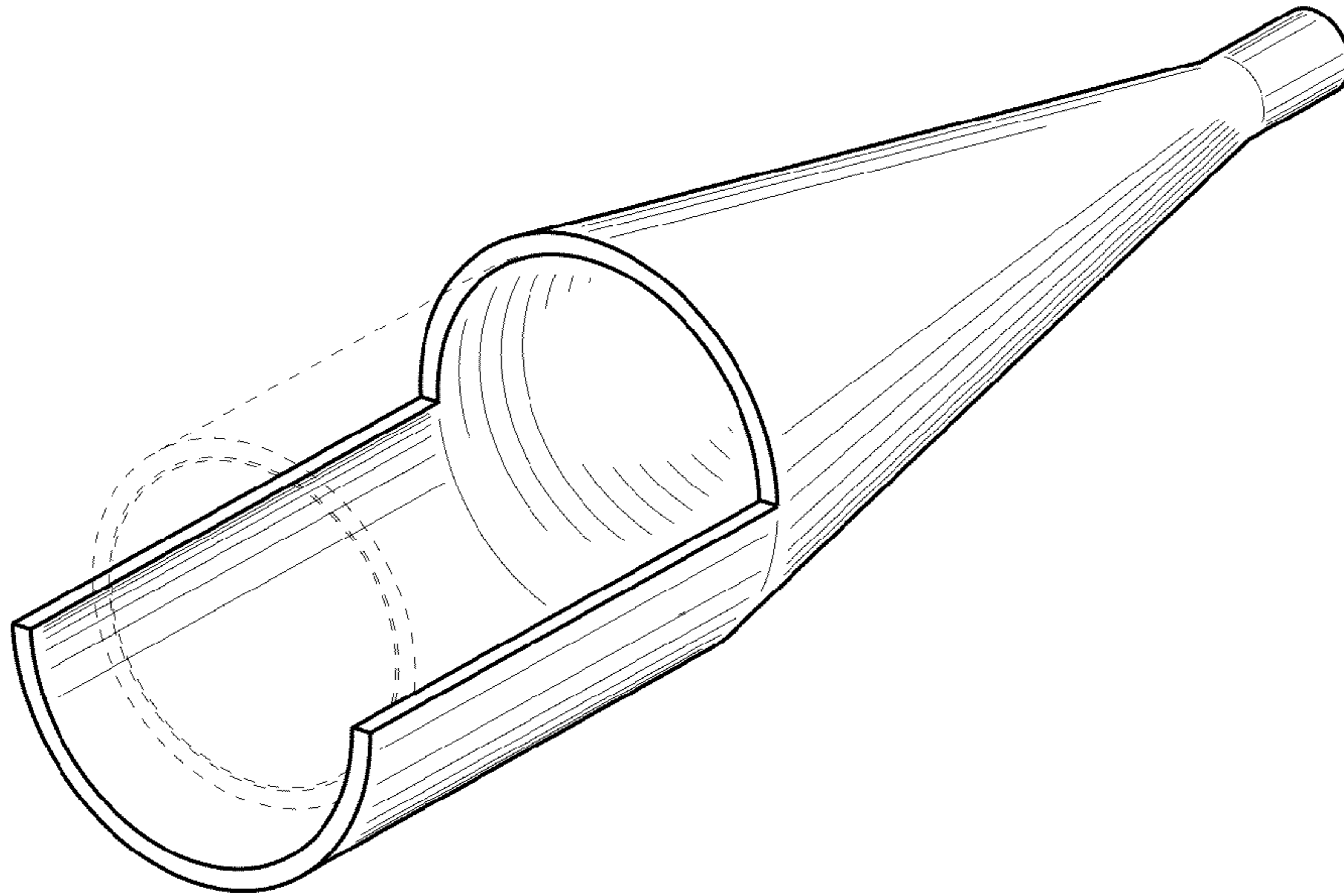


FIG. 1

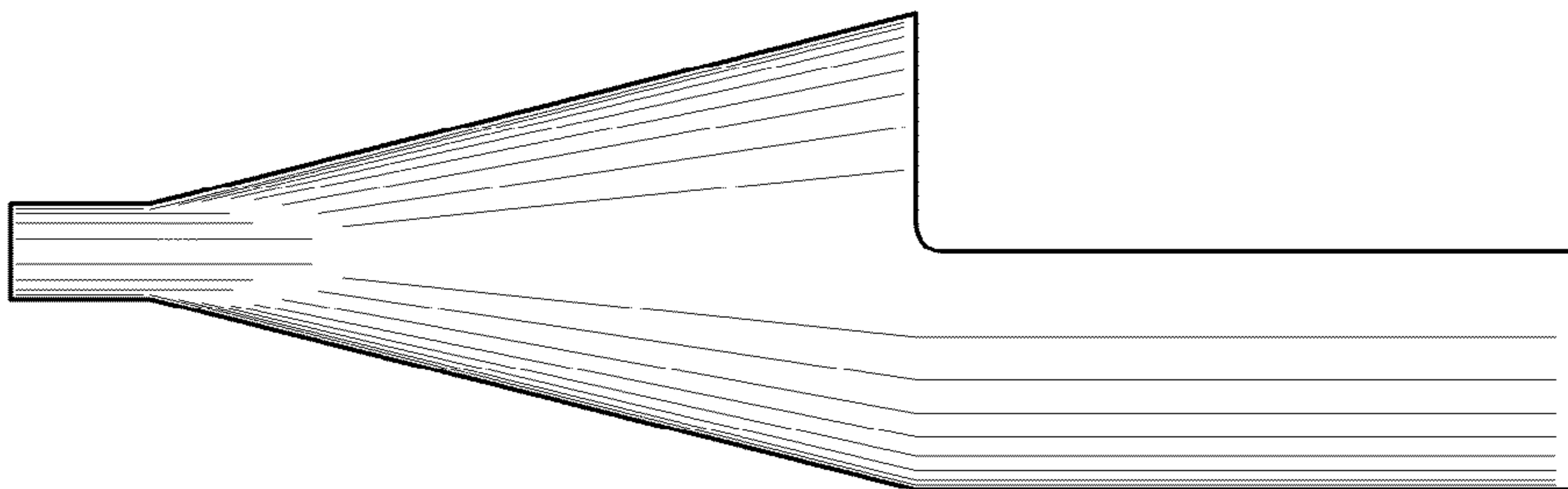


FIG. 2

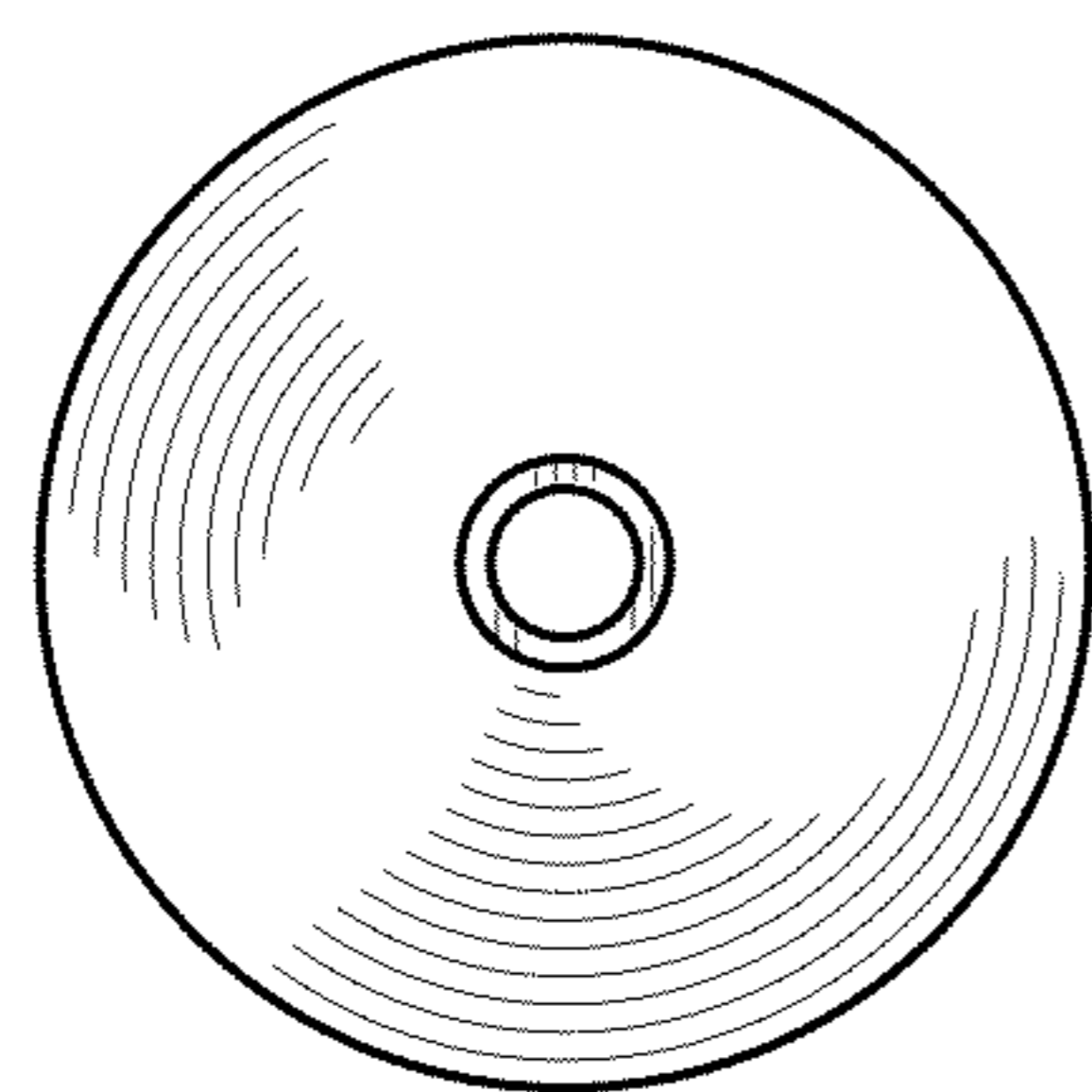


FIG. 3

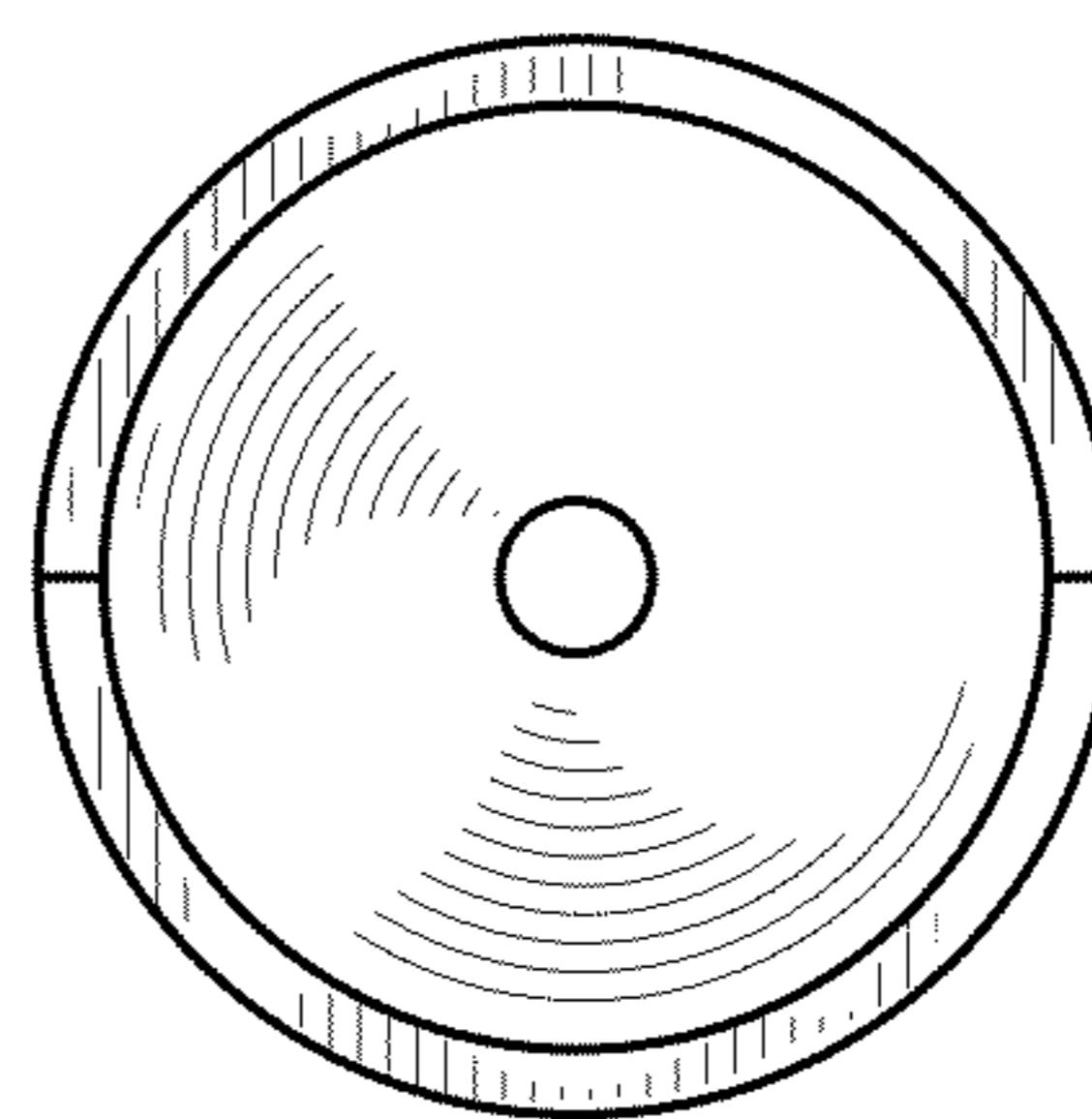


FIG. 4

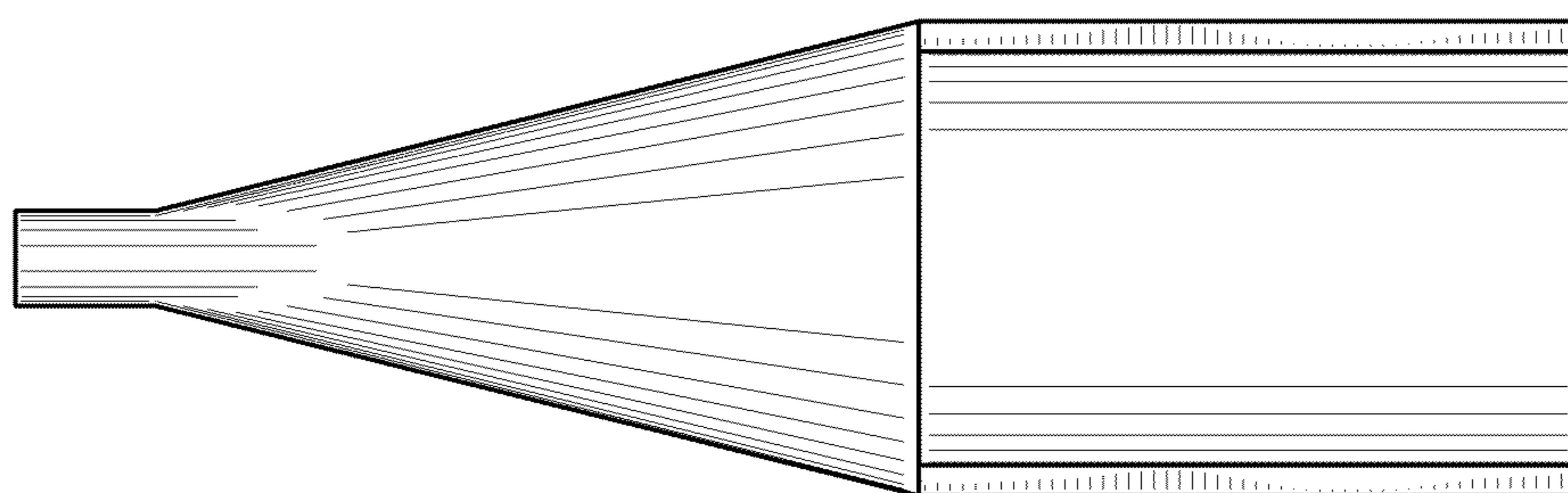


FIG. 5

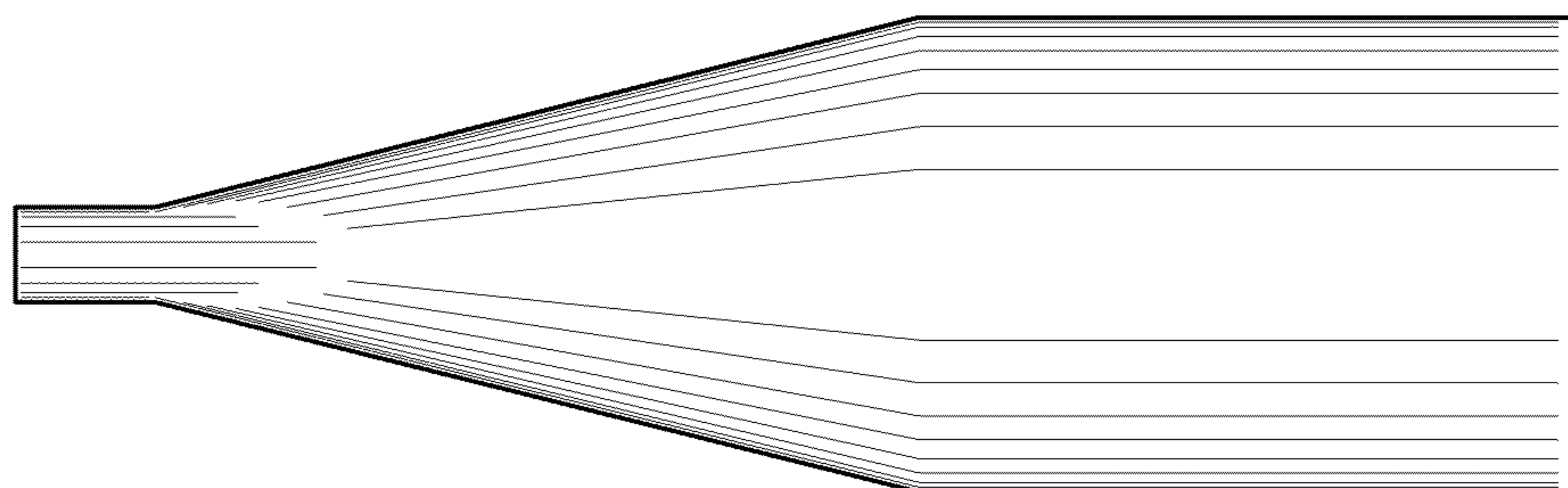


FIG. 6