



US00D687079S

(12) **United States Design Patent**
Mueller et al.

(10) **Patent No.:** **US D687,079 S**
(45) **Date of Patent:** **** Jul. 30, 2013**

- (54) **LAMINATOR**
- (71) Applicant: **3M Innovative Properties Company**,
St. Paul, MN (US)
- (72) Inventors: **Gerald E. Mueller**, Eagan, MN (US);
Sean C. McGreevy, St. Paul, MN (US);
Nicolas A. Echeverri, Woodbury, MN
(US)
- (73) Assignee: **3M Innovative Properties Company**,
St. Paul, MN (US)
- (**) Term: **14 Years**
- (21) Appl. No.: **29/432,868**
- (22) Filed: **Sep. 21, 2012**
- (51) **LOC (9) Cl.** **15-99**
- (52) **U.S. Cl.**
USPC **D15/146**
- (58) **Field of Classification Search**
USPC D7/609, 629; D15/145, 146; D18/50,
D18/51; 100/155 R, 160, 176, 555, 560, 582,
100/583.1
See application file for complete search history.

(56) **References Cited**

U.S. PATENT DOCUMENTS

2,736,452	A *	2/1956	Roop	220/4.21
3,597,587	A	8/1971	Baum		
D286,126	S *	10/1986	Driscoll	D7/609
D339,934	S *	10/1993	Reuter	D6/441
D372,399	S *	8/1996	Wang	D7/609
D389,847	S	1/1998	Huang		
D441,775	S *	5/2001	Cheng	D15/146
D443,883	S	6/2001	Reuter		
D453,171	S	1/2002	Cheng		
D465,690	S *	11/2002	Ancona et al.	D7/329
D480,594	S *	10/2003	Ancona et al.	D7/329

D483,059	S *	12/2003	Goh et al.	D18/50
D484,752	S *	1/2004	Verbeek	D7/609
6,994,142	B2	2/2006	Murphy		
D534,192	S	12/2006	Kiple		
D544,508	S	6/2007	Beno		
D579,957	S *	11/2008	Kiple et al.	D15/145
D593,770	S *	6/2009	Marrone	D6/433
D602,966	S	10/2009	Kiple		
D633,118	S *	2/2011	Beatty et al.	D15/146
D656,180	S *	3/2012	Corcoran et al.	D18/34.3
D658,694	S *	5/2012	Day et al.	D15/146
D667,858	S	9/2012	Crutchley		
D669,081	S *	10/2012	Iwai et al.	D14/422
D672,388	S *	12/2012	Kim et al.	D18/50
2005/0022480	A1 *	2/2005	Brakes	53/512
2006/0151120	A1	7/2006	Matlin		
2007/0193230	A1 *	8/2007	Bapista	53/510

* cited by examiner

Primary Examiner — Patricia Palasik

(74) *Attorney, Agent, or Firm* — Irina Hass

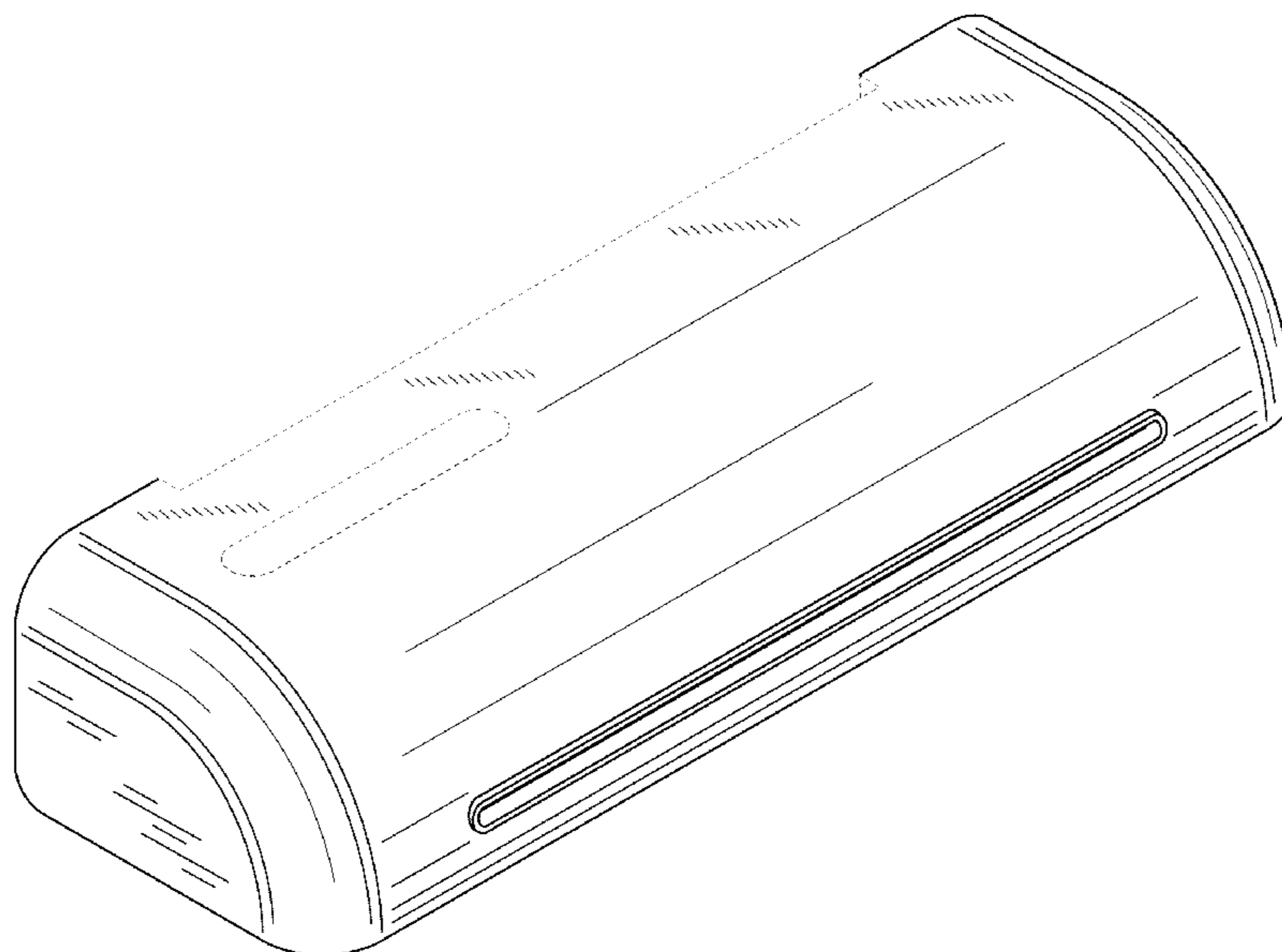
(57) **CLAIM**

The ornamental design for a laminator, as shown and described.

DESCRIPTION

FIG. 1 is a perspective view of the new design for a laminator; FIG. 2 is a right side view thereof, the left side view being a mirror image thereof; FIG. 3 is a front view thereof; FIG. 4 is a top view thereof; FIG. 5 is a rear view thereof; and, FIG. 6 is a bottom view thereof. The broken lines in the drawings are shown for illustrative purposes only and form no part of the claimed design. In addition, the surface shading illustrated in the drawings is provided merely to highlight the contour of design; it is not intended to be illustrative of texture or gloss.

1 Claim, 3 Drawing Sheets



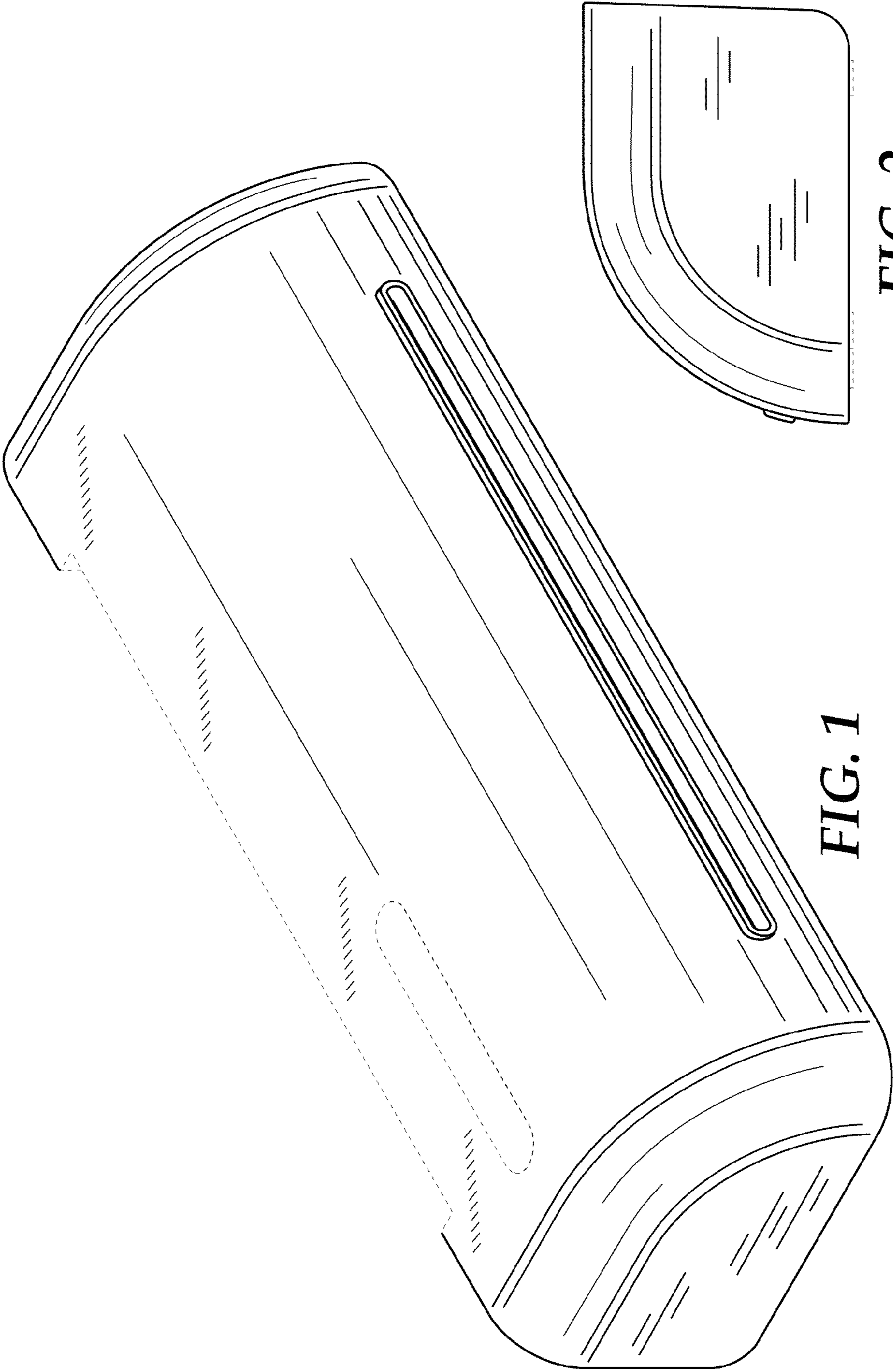


FIG. 1

FIG. 2

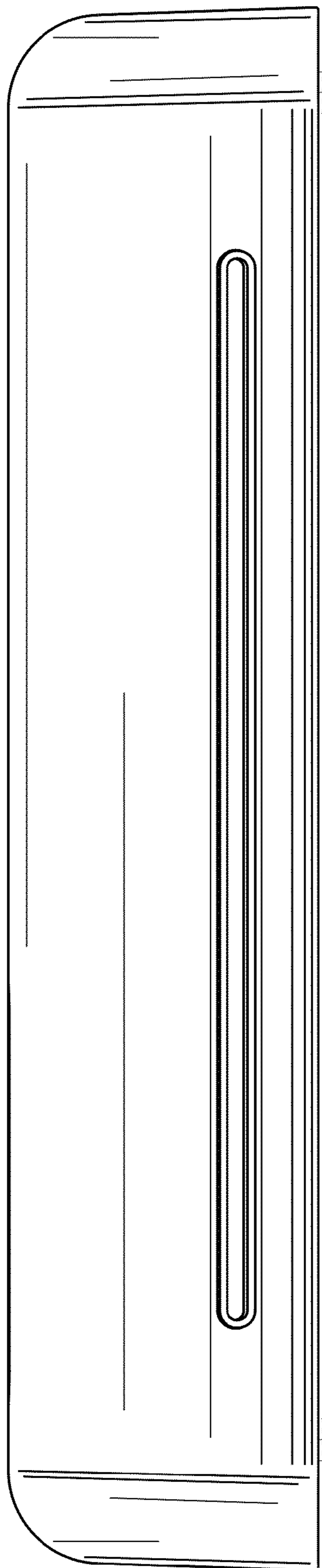


FIG. 3

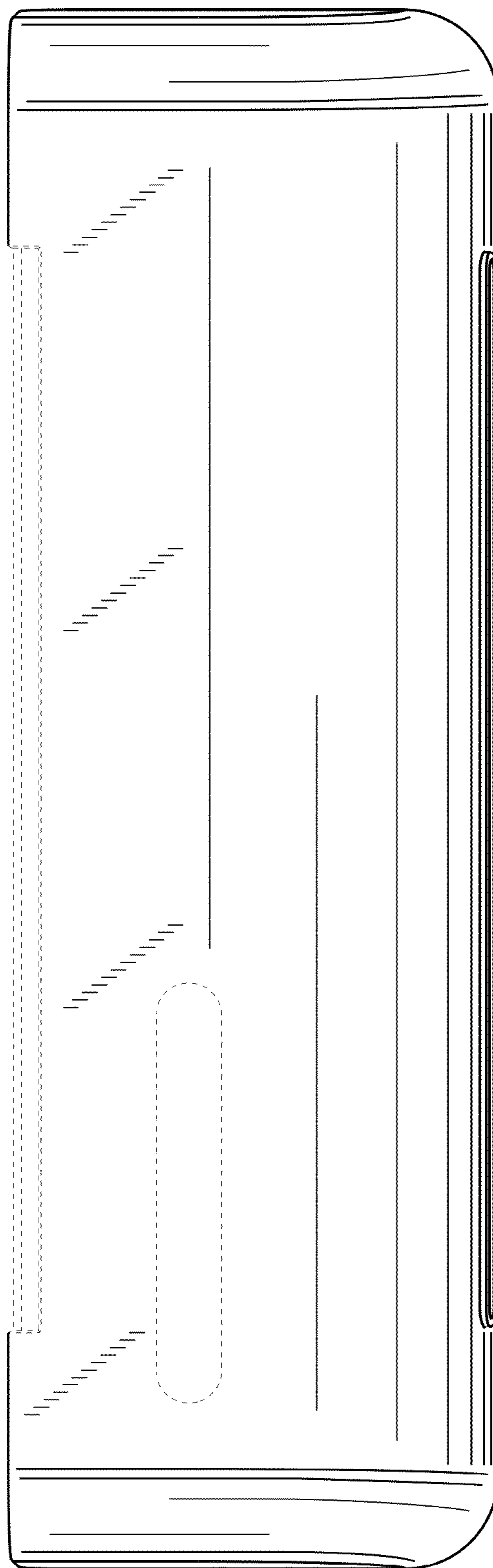


FIG. 4

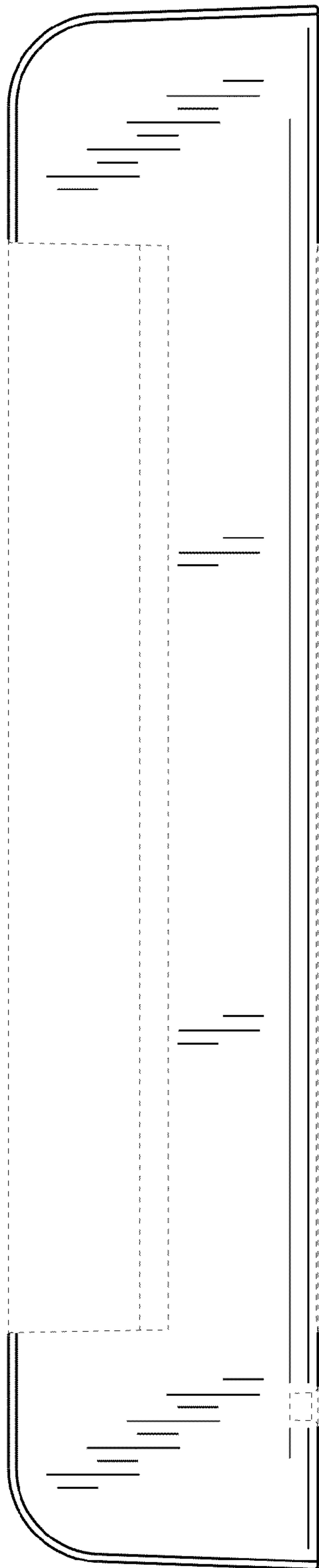


FIG. 5

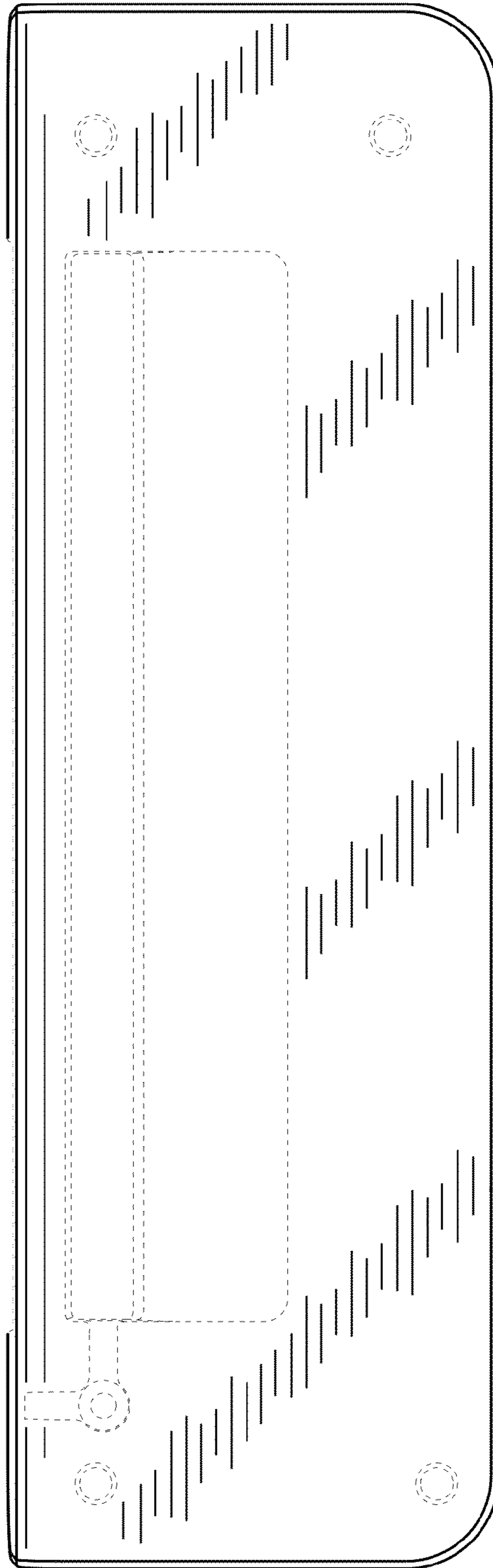


FIG. 6