



US00D687076S

(12) **United States Design Patent**
Schaefer et al.

(10) **Patent No.:** **US D687,076 S**
(45) **Date of Patent:** **** Jul. 30, 2013**

- (54) **COOLER**
- (71) Applicant: **Red Bull GmbH**, Fuschl am See (AT)
- (72) Inventors: **Eike Schaefer**, Anger (DE); **Rainer Vogt**, Bad Reichenhall (DE); **Erik Amstad**, Zurich (CH); **Anthony Dickens**, London (GB)
- (73) Assignee: **Red Bull GmbH**, Fuschl am See (AT)
- (**) Term: **14 Years**
- (21) Appl. No.: **29/443,074**
- (22) Filed: **Jan. 11, 2013**

D478,601 S *	8/2003	Becke	D15/81
D493,181 S *	7/2004	Kehoe	D15/81
D496,054 S	9/2004	Flum	
D501,488 S *	2/2005	Sato et al.	D15/81
D506,479 S	6/2005	Hansen	
D507,005 S	7/2005	Mount	
D512,081 S *	11/2005	Chang	D15/81
D524,830 S *	7/2006	Lei et al.	D15/81
D539,312 S *	3/2007	Kim	D15/81
D540,831 S *	4/2007	Kim et al.	D15/81
D550,256 S *	9/2007	Lei et al.	D15/81
D556,792 S *	12/2007	Moran	D15/81
D562,359 S	2/2008	Schreuder	
D604,340 S *	11/2009	Kim et al.	D15/81
D627,374 S *	11/2010	Yang	D15/81
D630,231 S *	1/2011	Yang et al.	D15/81
D659,724 S *	5/2012	Wolfe	D15/79
D677,286 S *	3/2013	Rinderer et al.	D15/83

* cited by examiner

Related U.S. Application Data

- (62) Division of application No. 29/398,450, filed on Jul. 29, 2011, now Pat. No. Des. 677,286.
- (51) **LOC (9) Cl.** **15-07**
- (52) **U.S. Cl.**
USPC **D15/81**
- (58) **Field of Classification Search**
USPC D15/79-89, 91; 62/246-255, 337,
62/440-449, 331, 3.6-3.63; 312/114, 116,
312/236, 352, 400-408, 128, 138.1, 139.2
See application file for complete search history.

Primary Examiner — Mitchell Siegel

(74) *Attorney, Agent, or Firm* — Christensen O'Connor Johnson Kindness PLLC

(57) **CLAIM**

The ornamental design for a cooler, as shown and described.

DESCRIPTION

FIG. 1 is an upper front left perspective view of a cooler showing our new design;
 FIG. 2 is a front elevation view thereof;
 FIG. 3 is a rear elevation view thereof;
 FIG. 4 is a right side elevation view thereof;
 FIG. 5 is a left side elevation view thereof; and,
 FIG. 6 is a top plan view thereof.

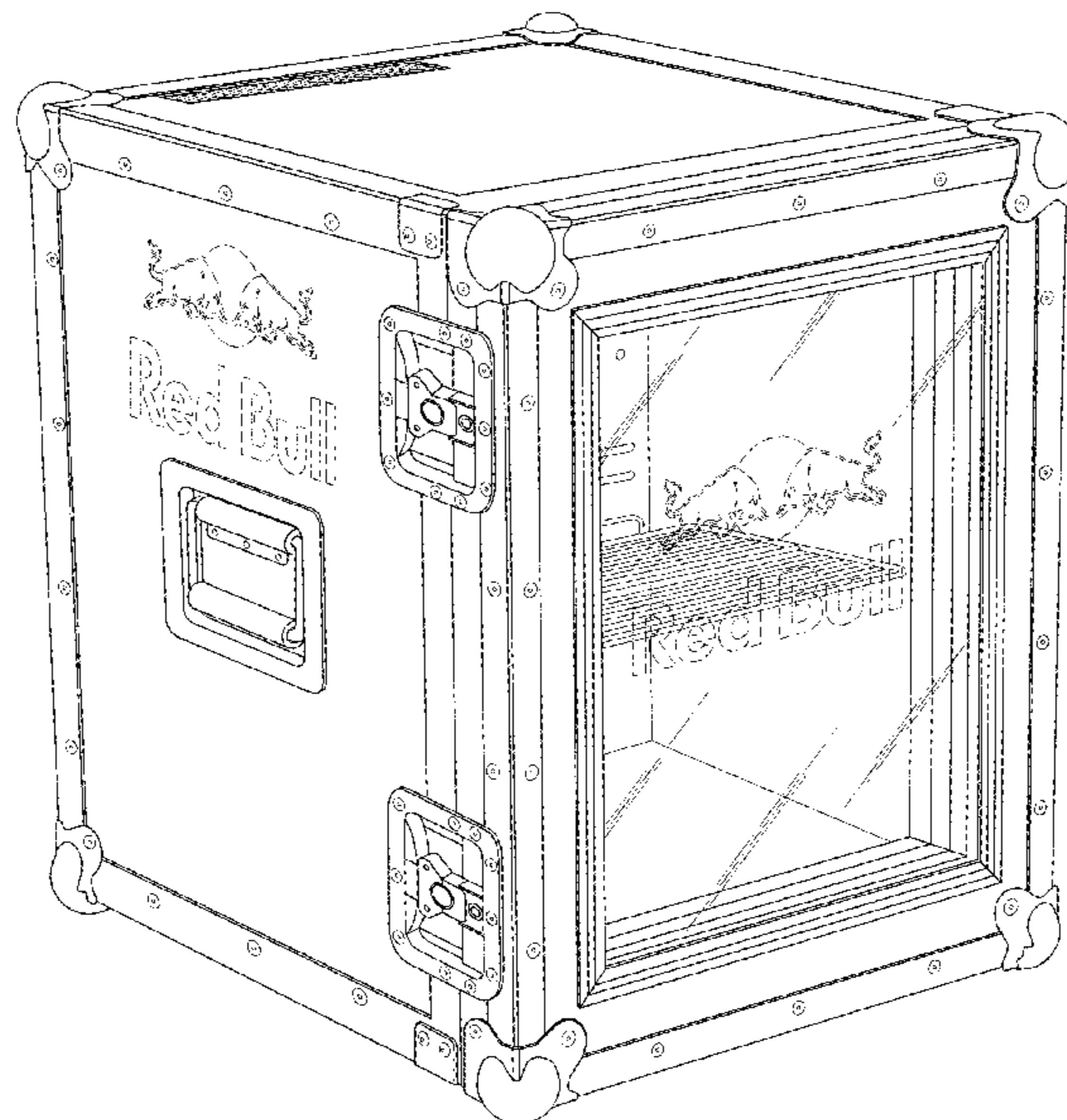
The "RED BULL" name and symbol shown in FIGS. 1, 2, 4, and 5, are shown in broken lines for purposes of illustrating environment and form no part of the claimed design.

(56) **References Cited**

U.S. PATENT DOCUMENTS

D299,391 S	1/1989	Meehan	
D307,026 S	4/1990	Barish	
D358,823 S	5/1995	Grant	
D396,048 S	7/1998	Meehan	
D470,866 S	2/2003	Beauregard	
D477,000 S *	7/2003	Aldous et al.	D15/81

1 Claim, 6 Drawing Sheets



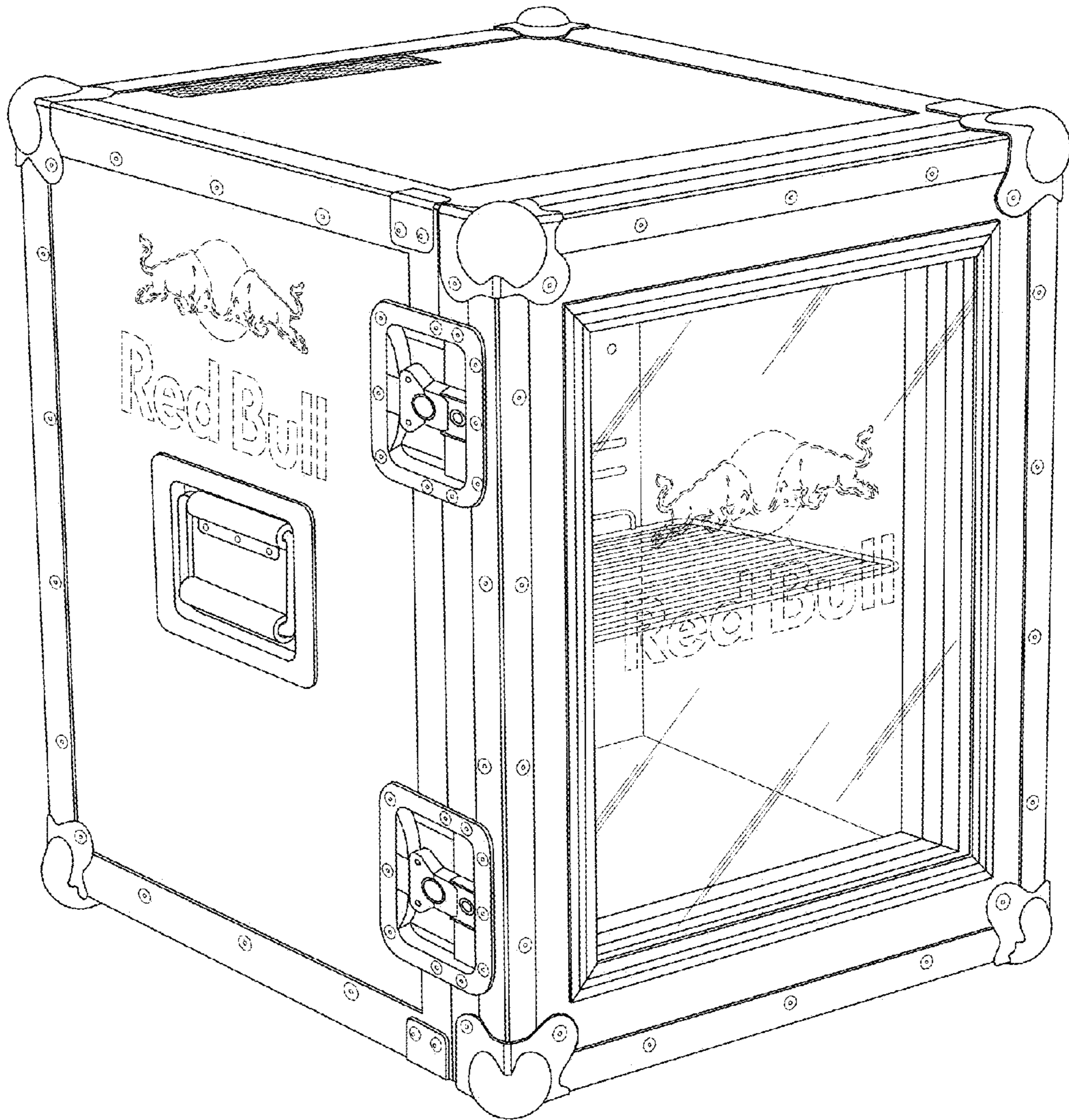


FIG.1.

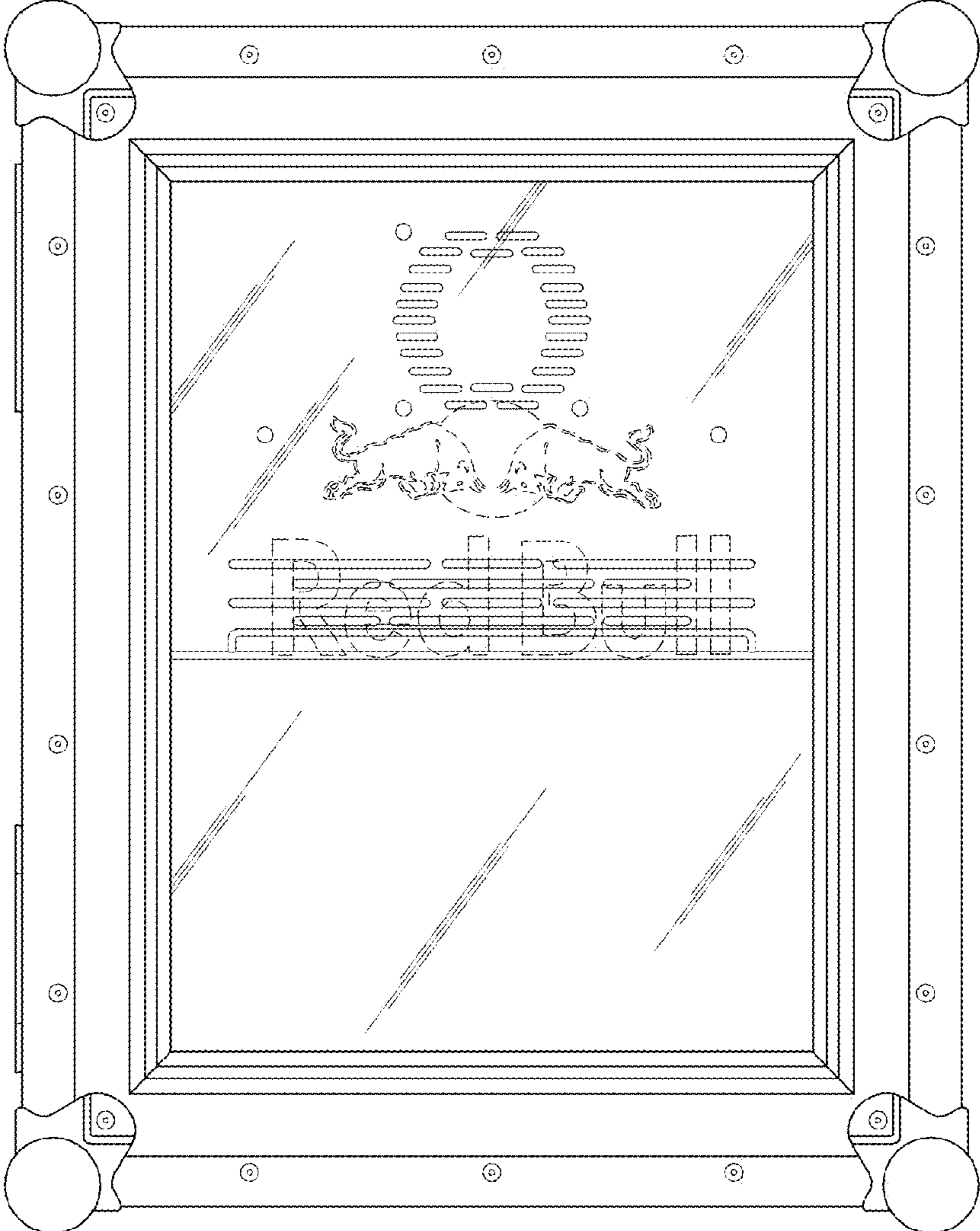


FIG.2.

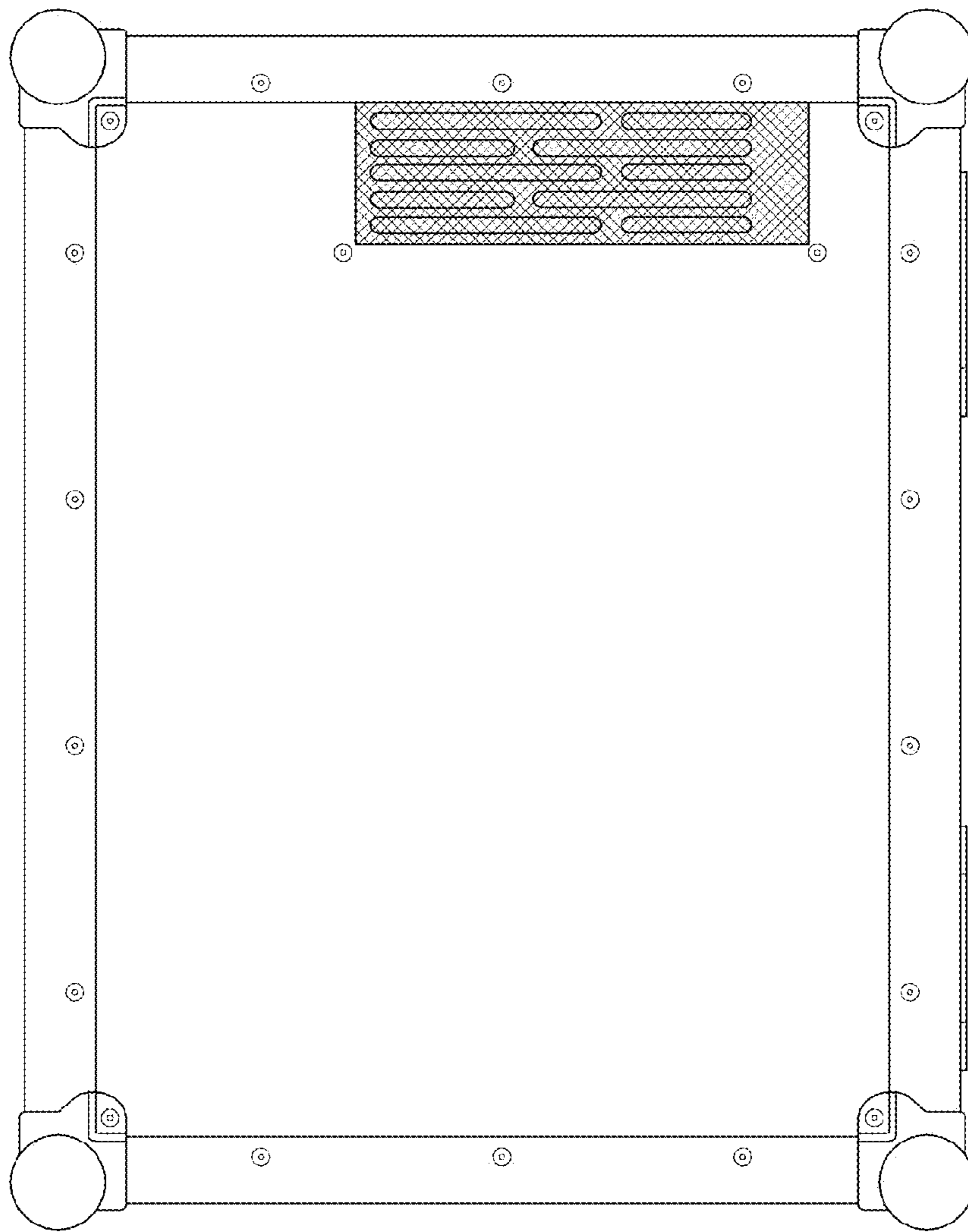


FIG.3.

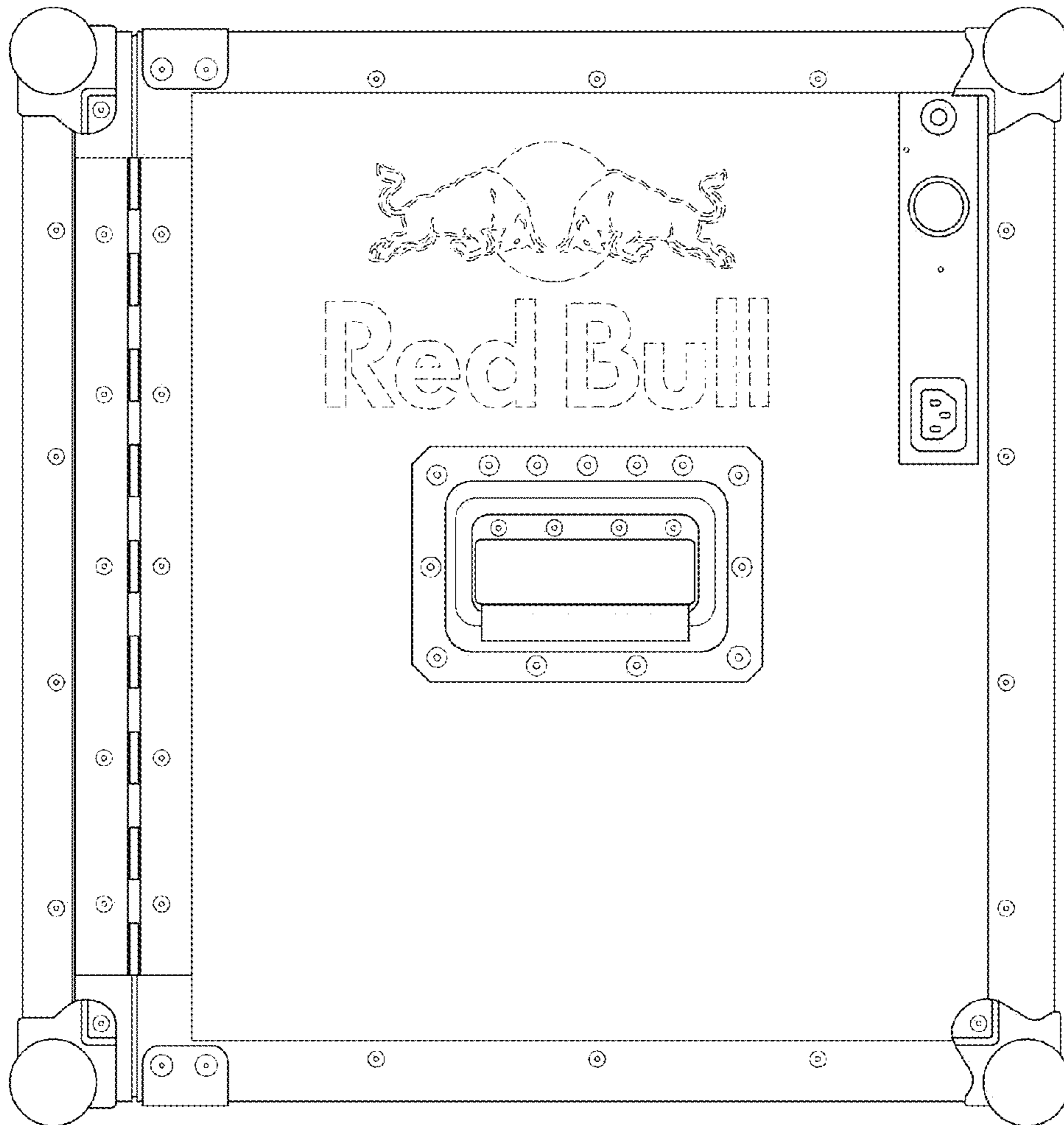


FIG.4.

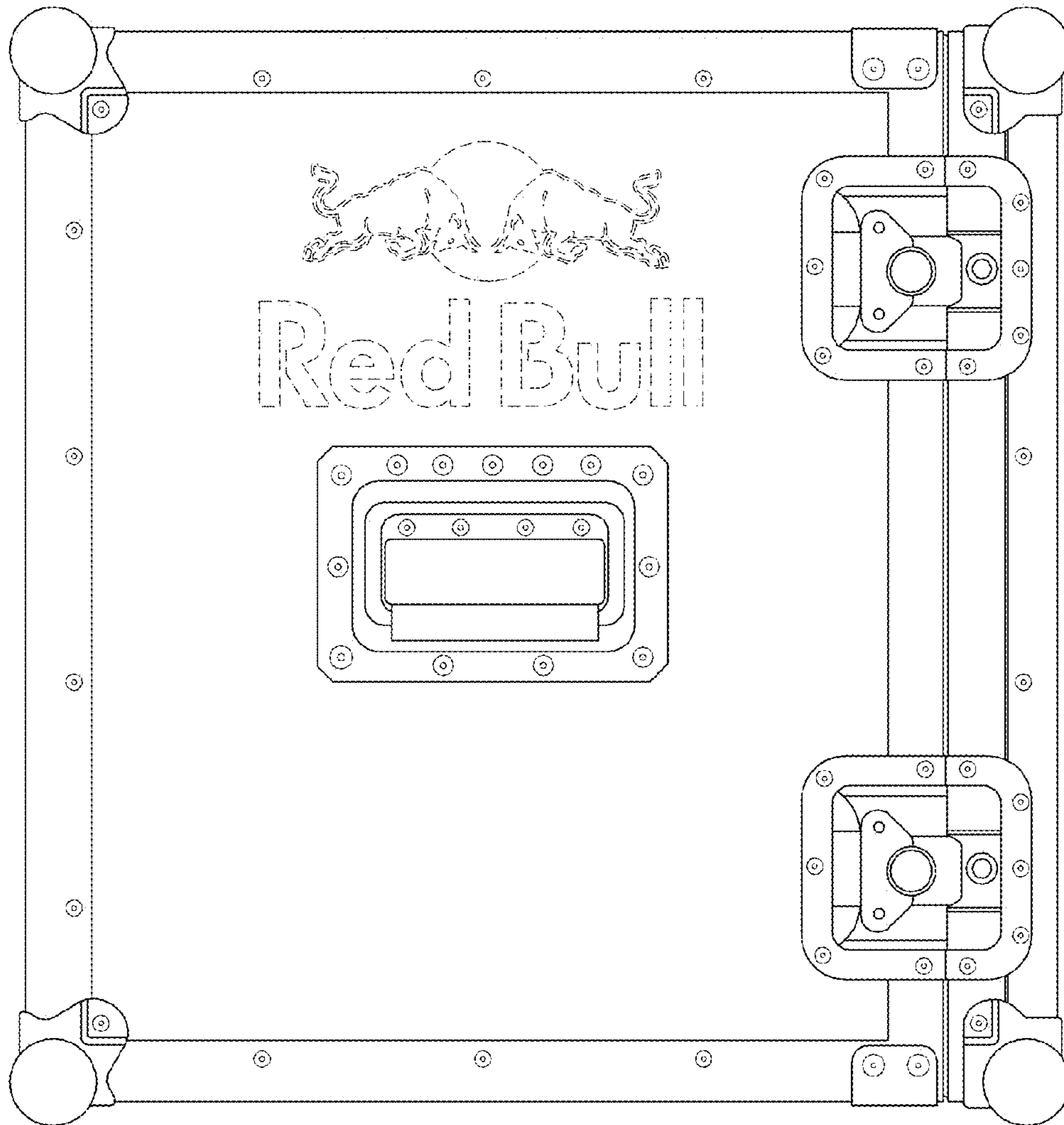


FIG. 5.

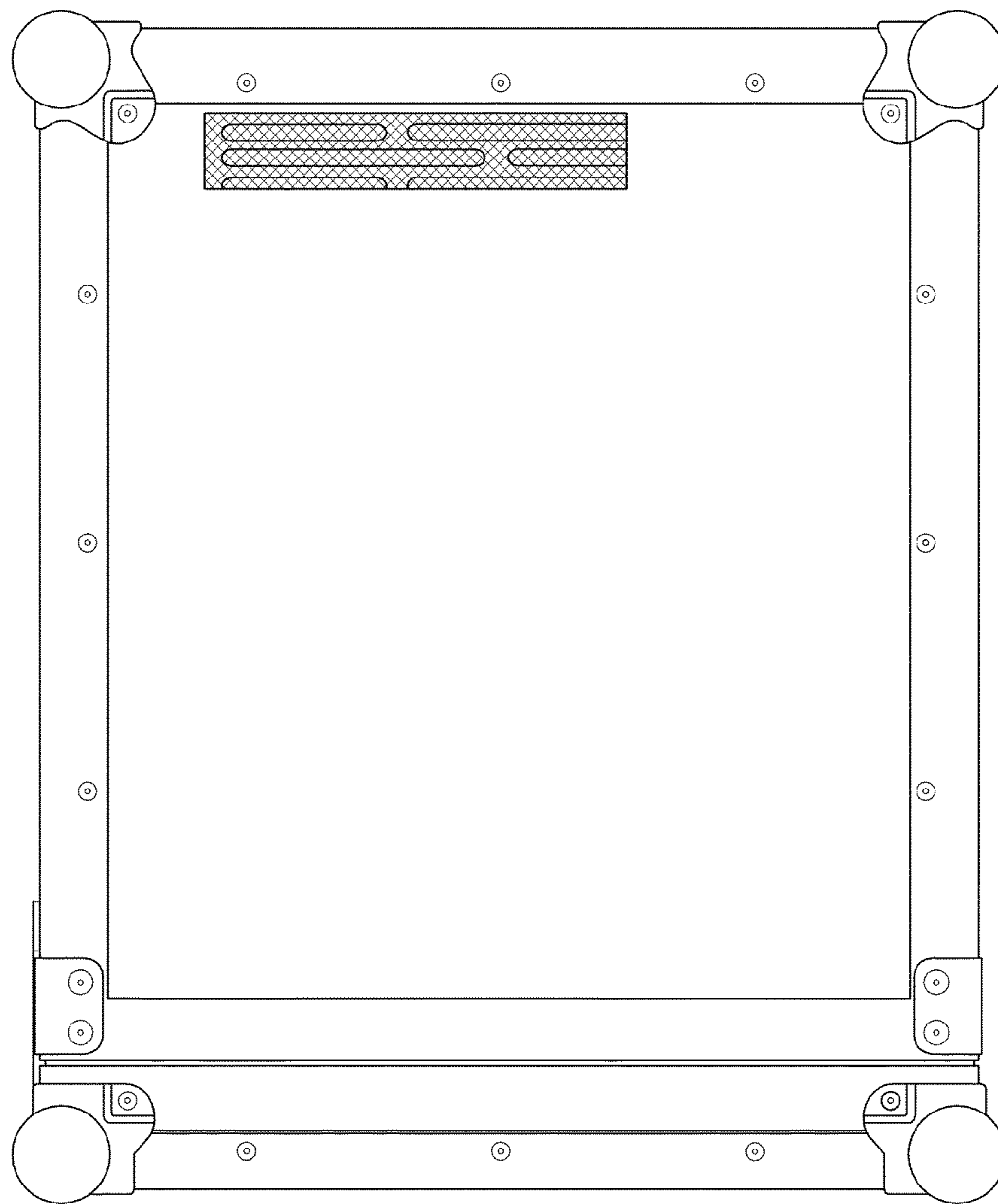


FIG.6.