



US00D687074S

(12) **United States Design Patent**
Barack et al.

(10) **Patent No.:** **US D687,074 S**
(45) **Date of Patent:** **** Jul. 30, 2013**

(54) **BREAST MILK PUMP**

(56) **References Cited**

(71) Applicant: **Portable Technologies Ltd.**, Raanana (IL)

U.S. PATENT DOCUMENTS

(72) Inventors: **Anat Barack**, Raanana (IL); **Doron Barack**, Raanana (IL)

D479,248	S	*	9/2003	Gist et al.	D15/9
D499,118	S	*	11/2004	Leasure et al.	D15/9
D500,769	S	*	1/2005	Montgomery	D15/7
D516,090	S	*	2/2006	Gist et al.	D15/9
D538,825	S	*	3/2007	Chen Han	D15/9
D562,349	S	*	2/2008	Bulter	D15/9
D632,702	S	*	2/2011	Gruber	D15/7
D641,764	S	*	7/2011	Lipscomb et al.	D15/7
D644,250	S	*	8/2011	Barber et al.	D15/7
8,075,516	B2	*	12/2011	Pfenniger et al.	604/73
D662,950	S	*	7/2012	Lu	D15/9

(73) Assignee: **Clinicare Ltd**, Raanana (IL)

(**) Term: **14 Years**

* cited by examiner

(21) Appl. No.: **29/433,211**

Primary Examiner — Ralf Seifert

(22) Filed: **Sep. 27, 2012**

(74) *Attorney, Agent, or Firm* — Mark M. Friedman

(51) **LOC (9) Cl.** **15-02**

(57) **CLAIM**

(52) **U.S. Cl.**

We hereby claim the design for a breast milk pump, as shown and described.

USPC **D15/7**

DESCRIPTION

(58) **Field of Classification Search**

USPC D15/7-9; D23/231, 232, 225; 417/60, 417/235, 265, 321, 355, 358, 363, 359, 410.1, 417/415-416, 405, 900, 43, 554; 60/408, 60/412; 184/26-37; 415/140-147; 123/495, 123/509; 166/105.1, 105.2, 311; 604/73; D24/109

FIG. 1 is an isometric view of a breast milk pump showing our design;

FIG. 2 is a front view thereof;

FIG. 3 is a right view thereof;

FIG. 4 is a top view thereof;

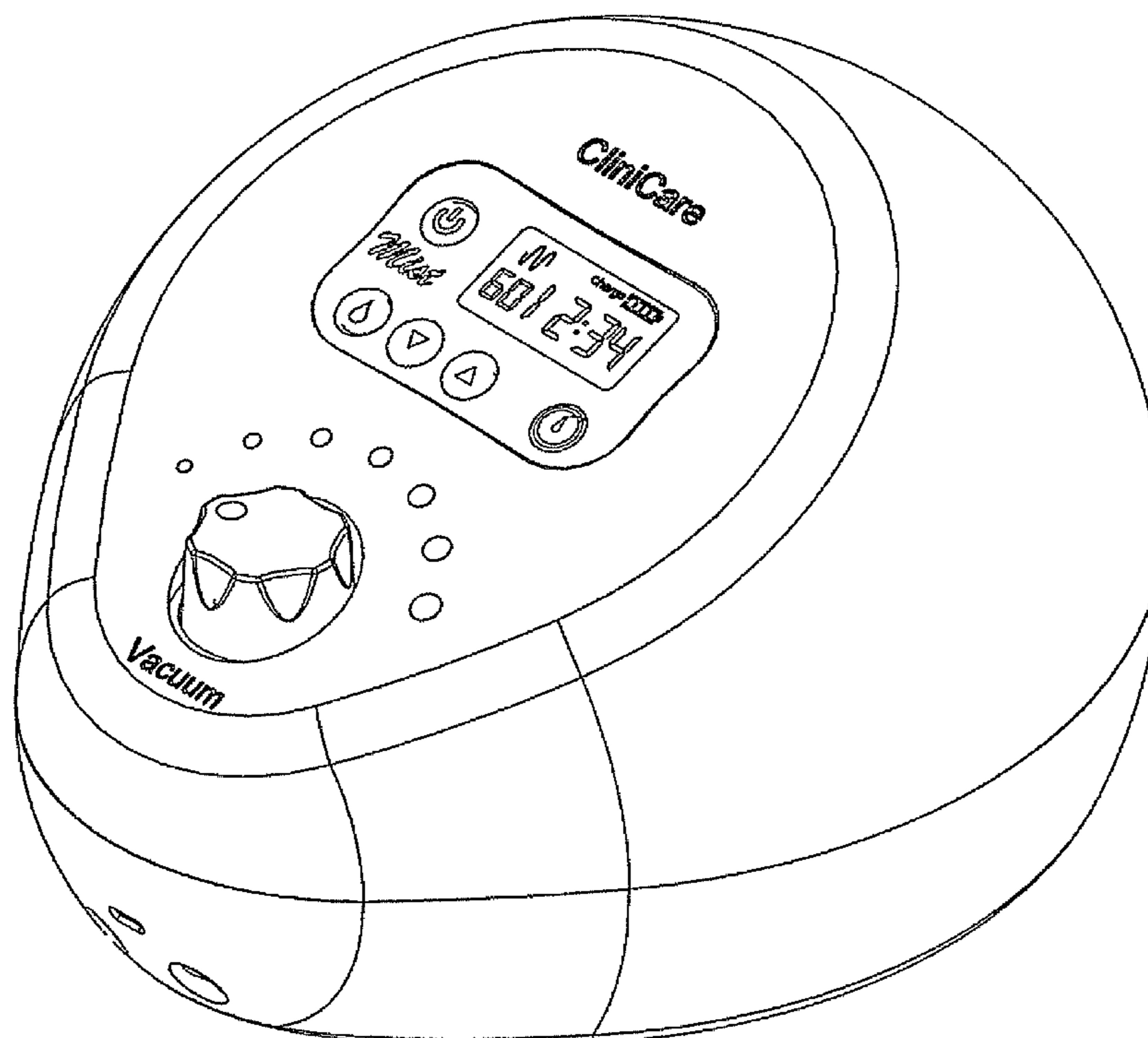
FIG. 5 is a left view thereof;

FIG. 6 is a bottom view thereof; and,

FIG. 7 is a back view thereof.

See application file for complete search history.

1 Claim, 7 Drawing Sheets



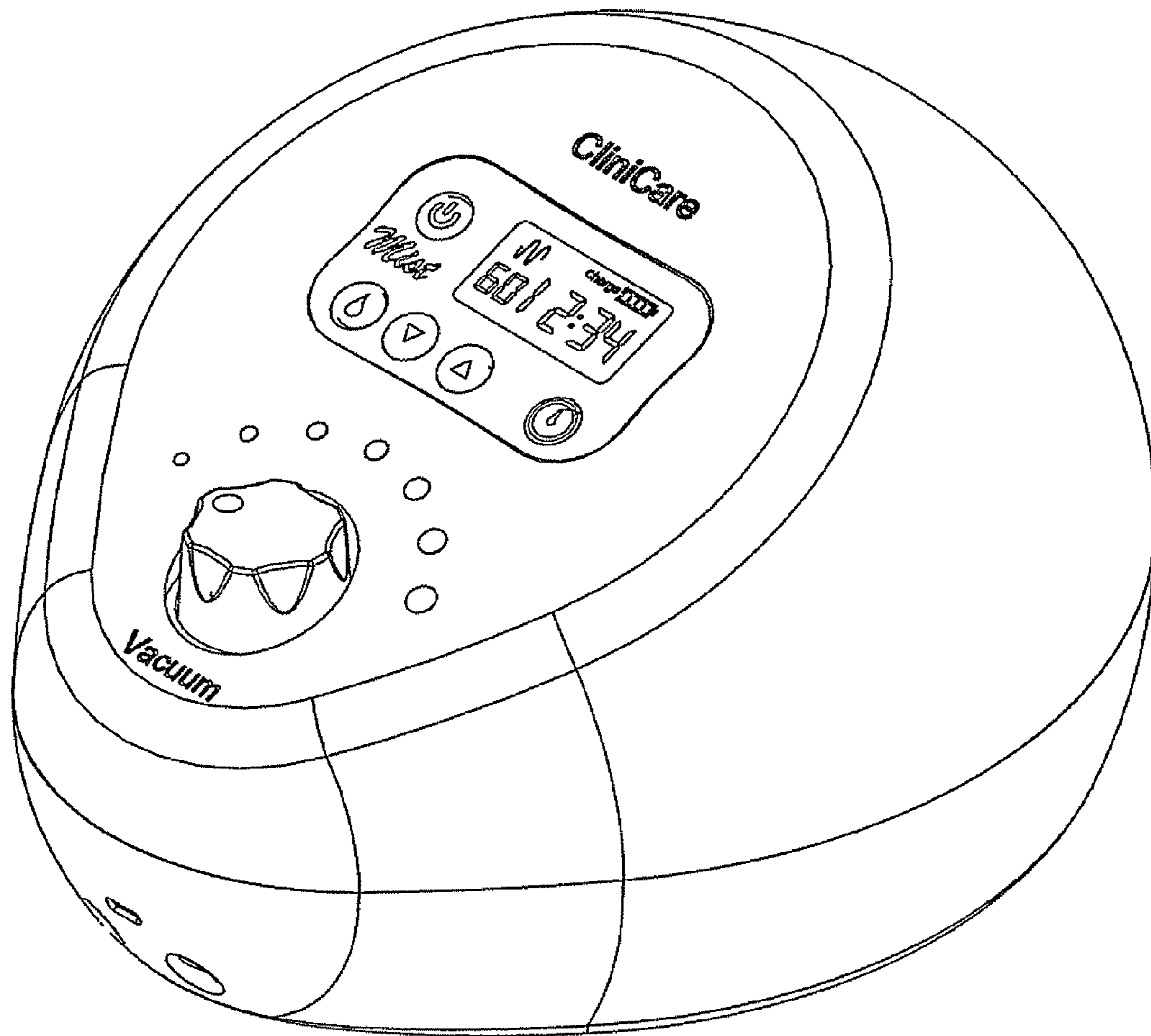


Figure 1

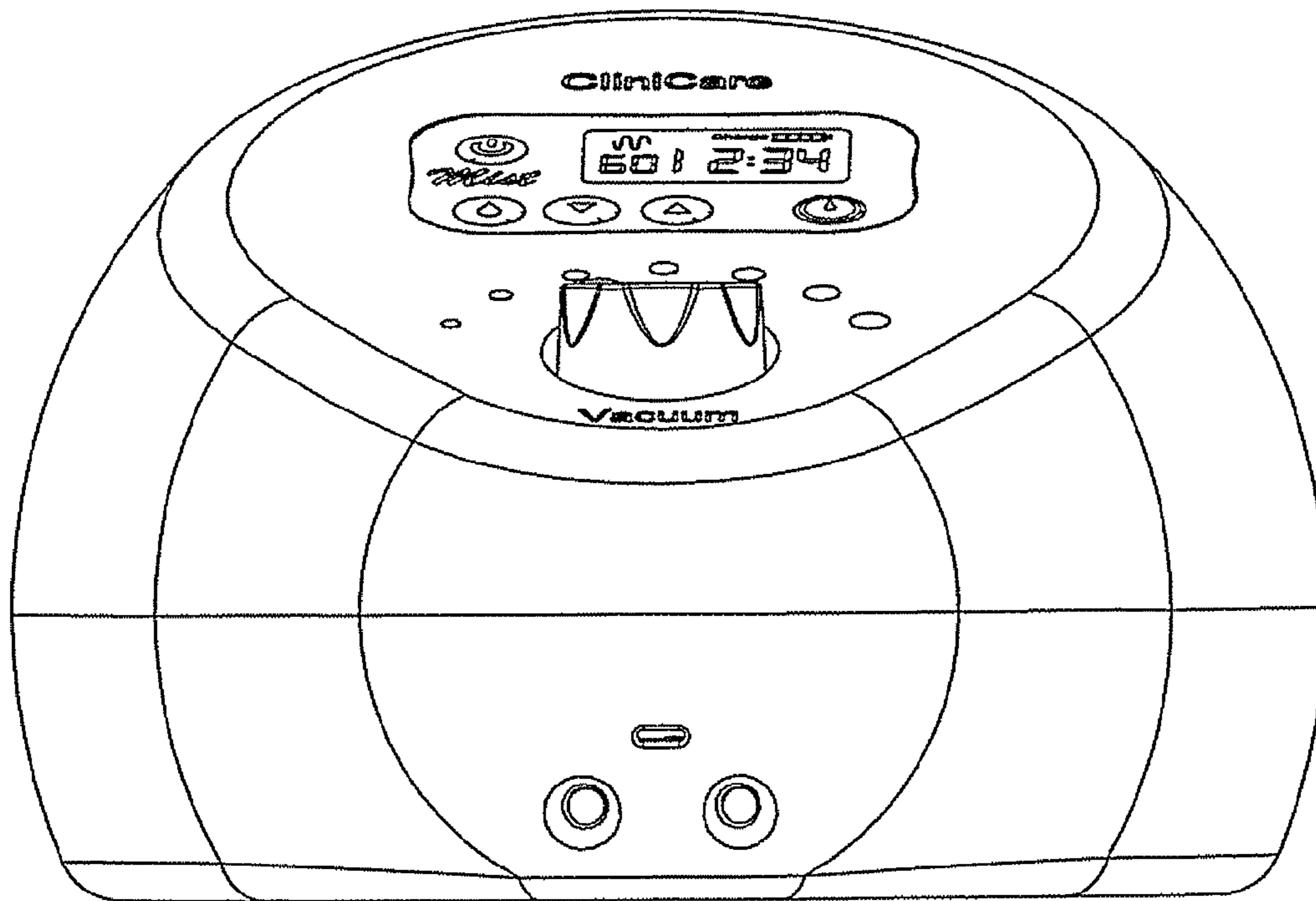


Figure 2

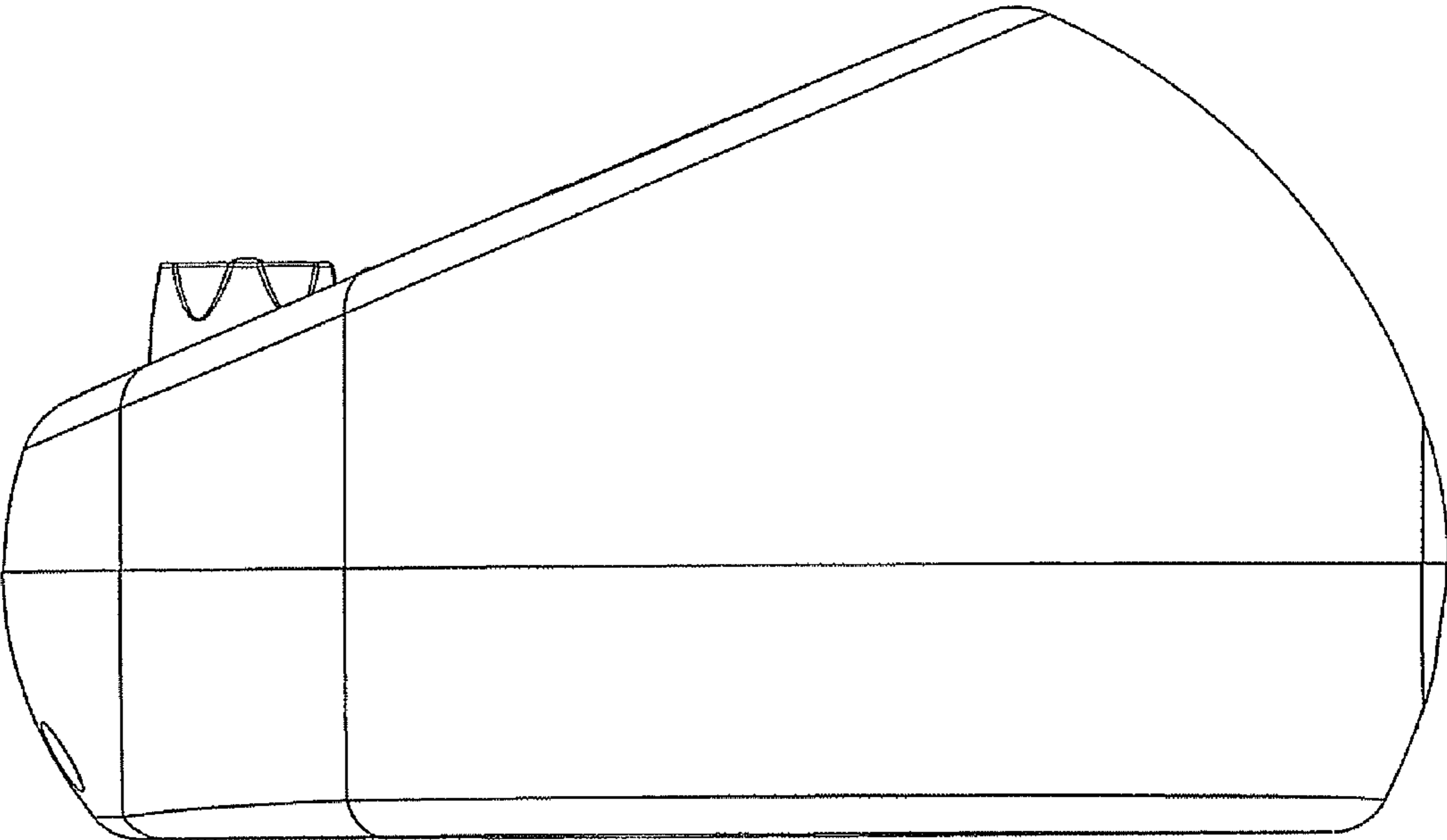


Figure 3

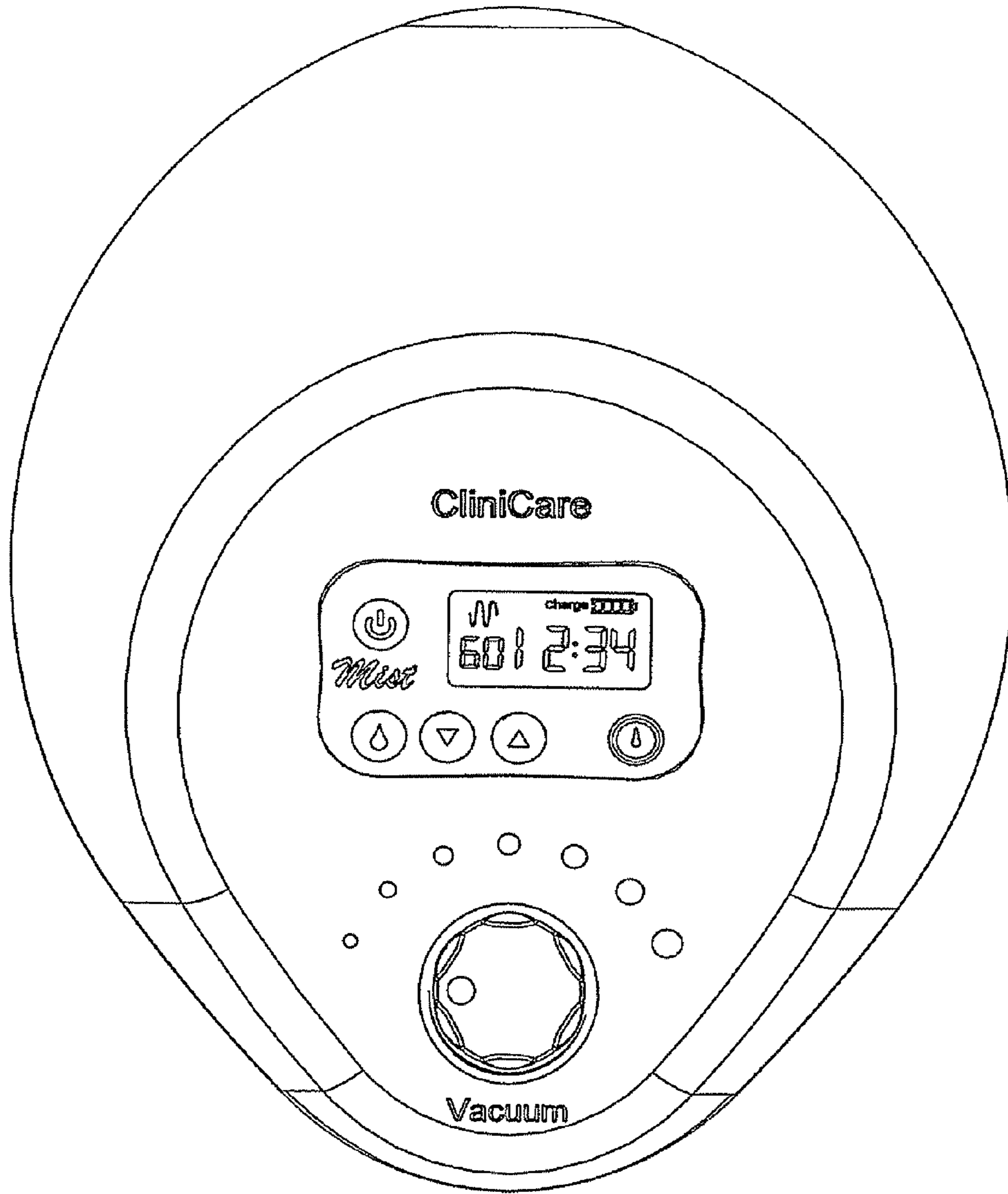


Figure 4

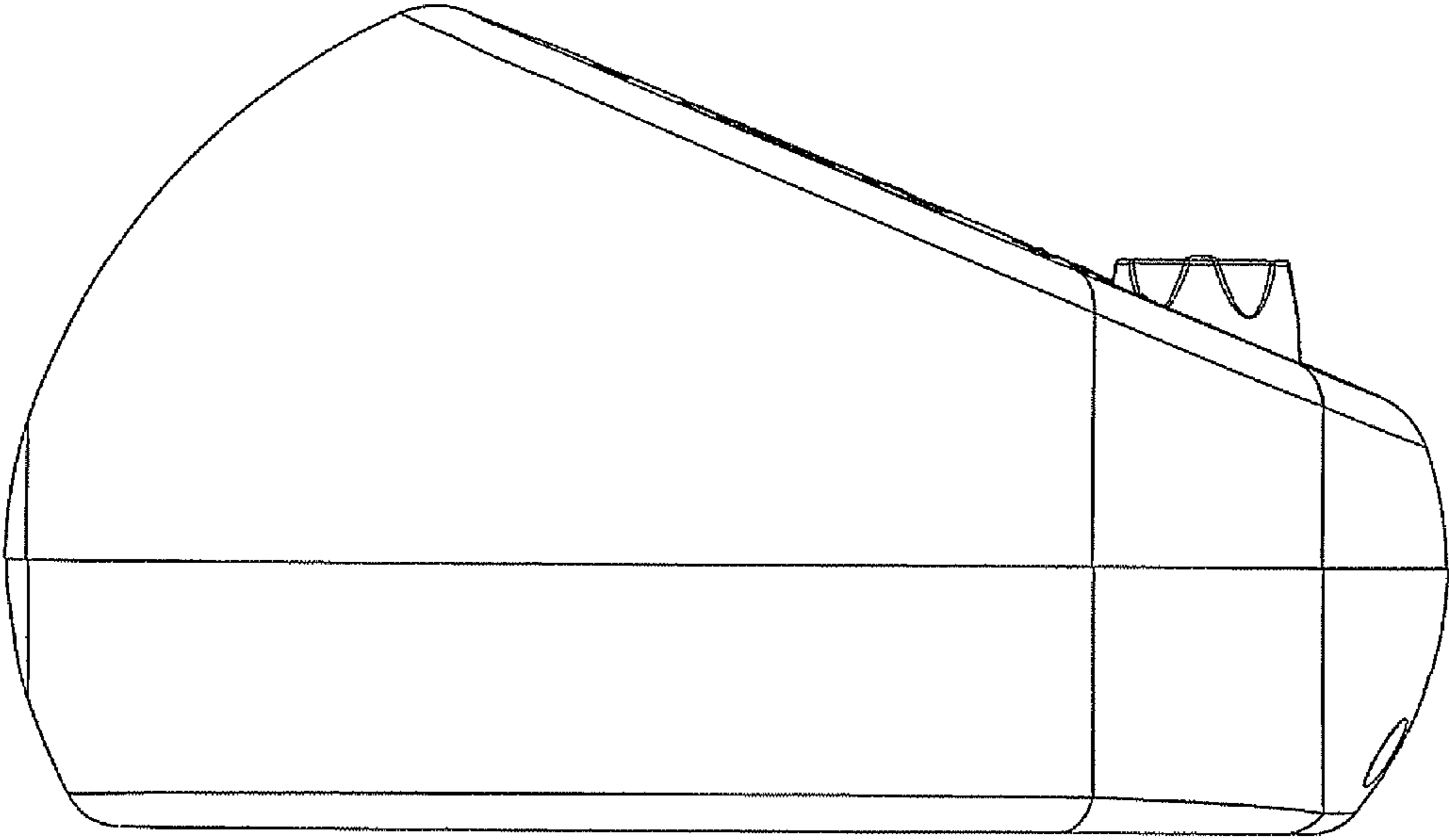


Figure 5

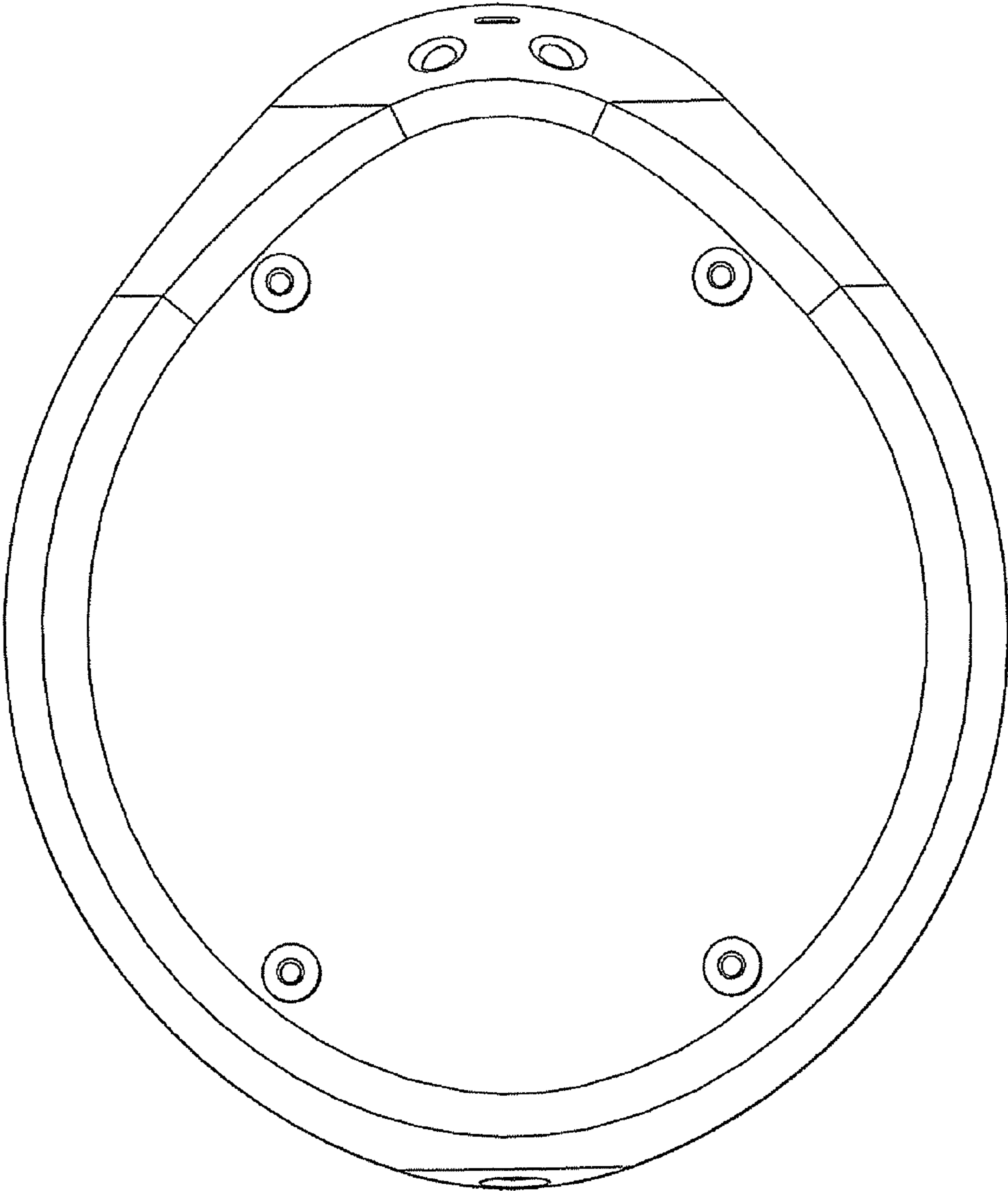


Figure 6

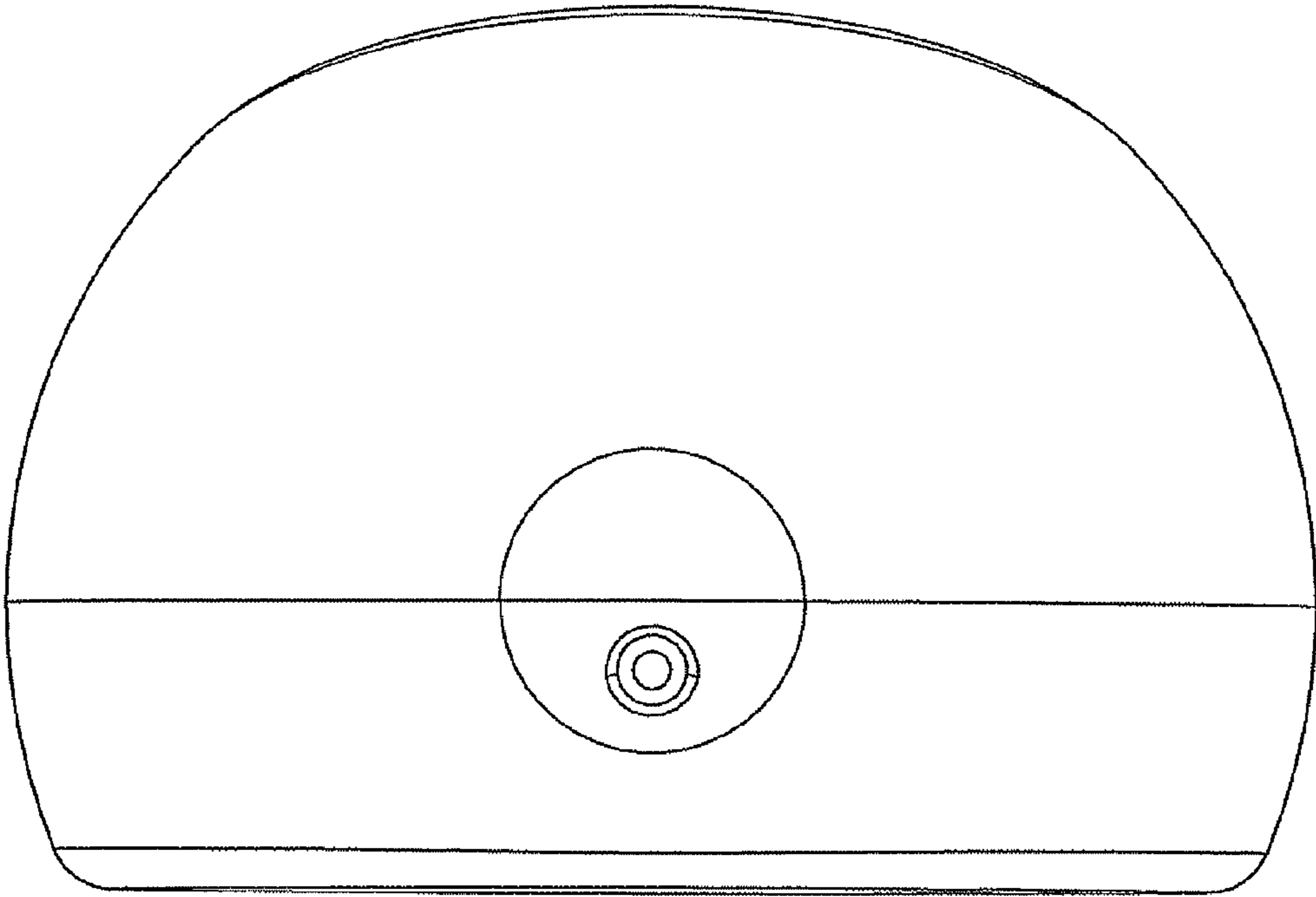


Figure 7