



US00D687071S

(12) **United States Design Patent**
Bennett

(10) **Patent No.:** **US D687,071 S**
(45) **Date of Patent:** **** Jul. 30, 2013**

- (54) **SNORKEL**
- (71) Applicant: **Omix-Ada, Inc.**, Suwanee, GA (US)
- (72) Inventor: **Patrick W. Bennett**, Gainesville, GA (US)
- (73) Assignee: **OMIX-Ada, Inc.**, Suwanee, GA (US)
- (**) Term: **14 Years**
- (21) Appl. No.: **29/434,144**
- (22) Filed: **Oct. 10, 2012**
- (51) **LOC (9) Cl.** **15-01**
- (52) **U.S. Cl.**
USPC **D15/5**
- (58) **Field of Classification Search**
USPC D15/1-6; 123/184.21, 184.24, 184.34,
123/184.35, 23.2, 184.48, 184.42; D12/400,
D12/194, 206, 418; D24/110.5, 110.6
See application file for complete search history.

D637,205 S *	5/2011	Luxon et al.	D15/5
D637,206 S *	5/2011	Luxon et al.	D15/5
D637,623 S *	5/2011	Luxon et al.	D15/5
D638,446 S *	5/2011	Luxon et al.	D15/5
D642,199 S *	7/2011	Luxon et al.	D15/5
D648,745 S *	11/2011	Luxon et al.	D15/5

* cited by examiner

Primary Examiner — T. Chase Nelson

Assistant Examiner — Ania Aman

(74) *Attorney, Agent, or Firm* — Womble Carlyle Sandridge & Rice, LLP

(56) **References Cited**

U.S. PATENT DOCUMENTS

D636,408 S *	4/2011	Luxon et al.	D15/5
D636,787 S *	4/2011	Luxon et al.	D15/5
D636,788 S *	4/2011	Luxon et al.	D15/5

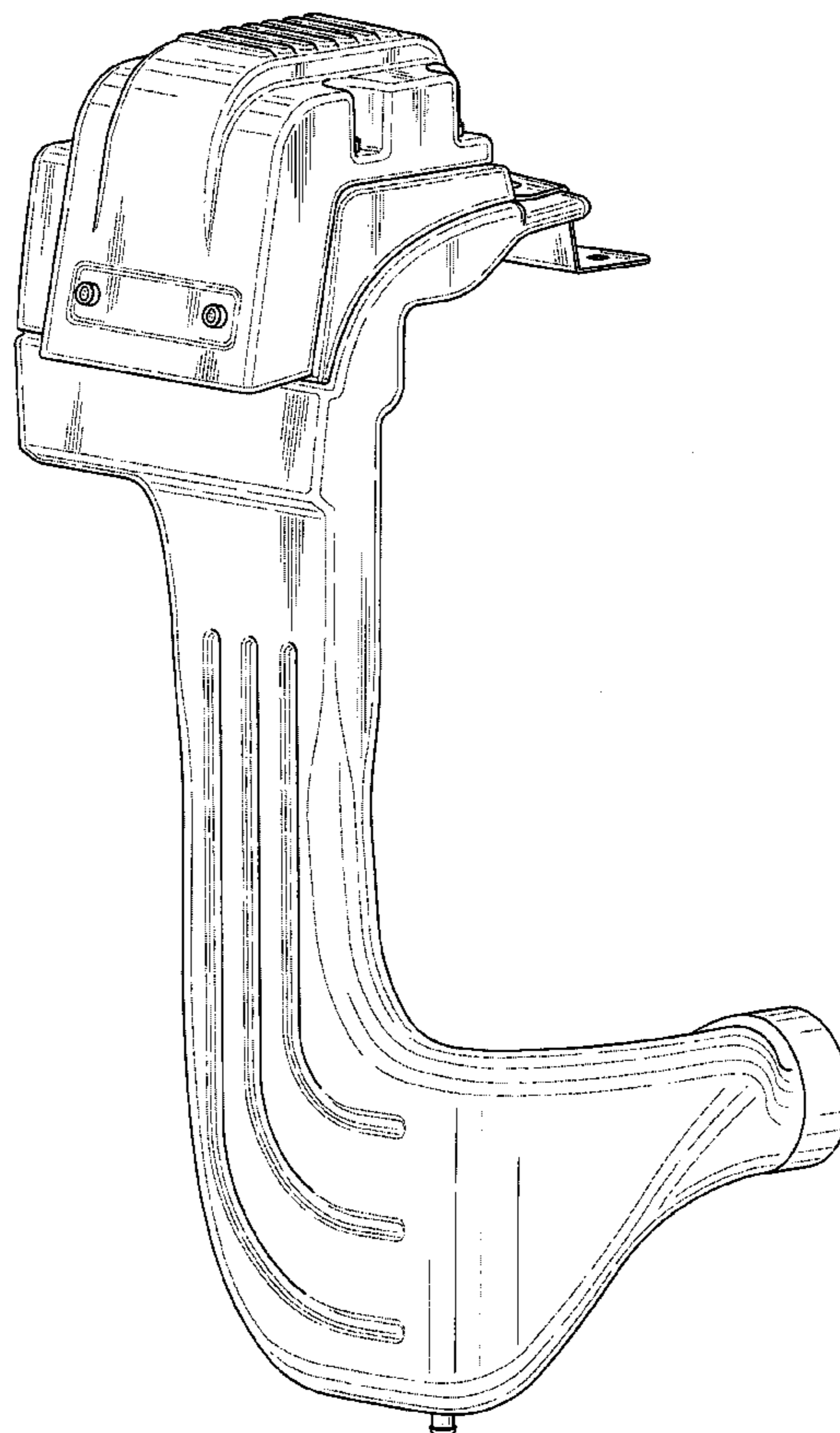
(57) **CLAIM**

The ornamental design for a snorkel, as shown and described.

DESCRIPTION

FIG. 1 is a perspective view of my new design for a snorkel;
FIG. 2 is a front view thereof;
FIG. 3 is a rear view thereof;
FIG. 4 is a left side view thereof;
FIG. 5 is a right side view thereof;
FIG. 6 is a top view thereof; and,
FIG. 7 is a bottom view thereof.

1 Claim, 6 Drawing Sheets



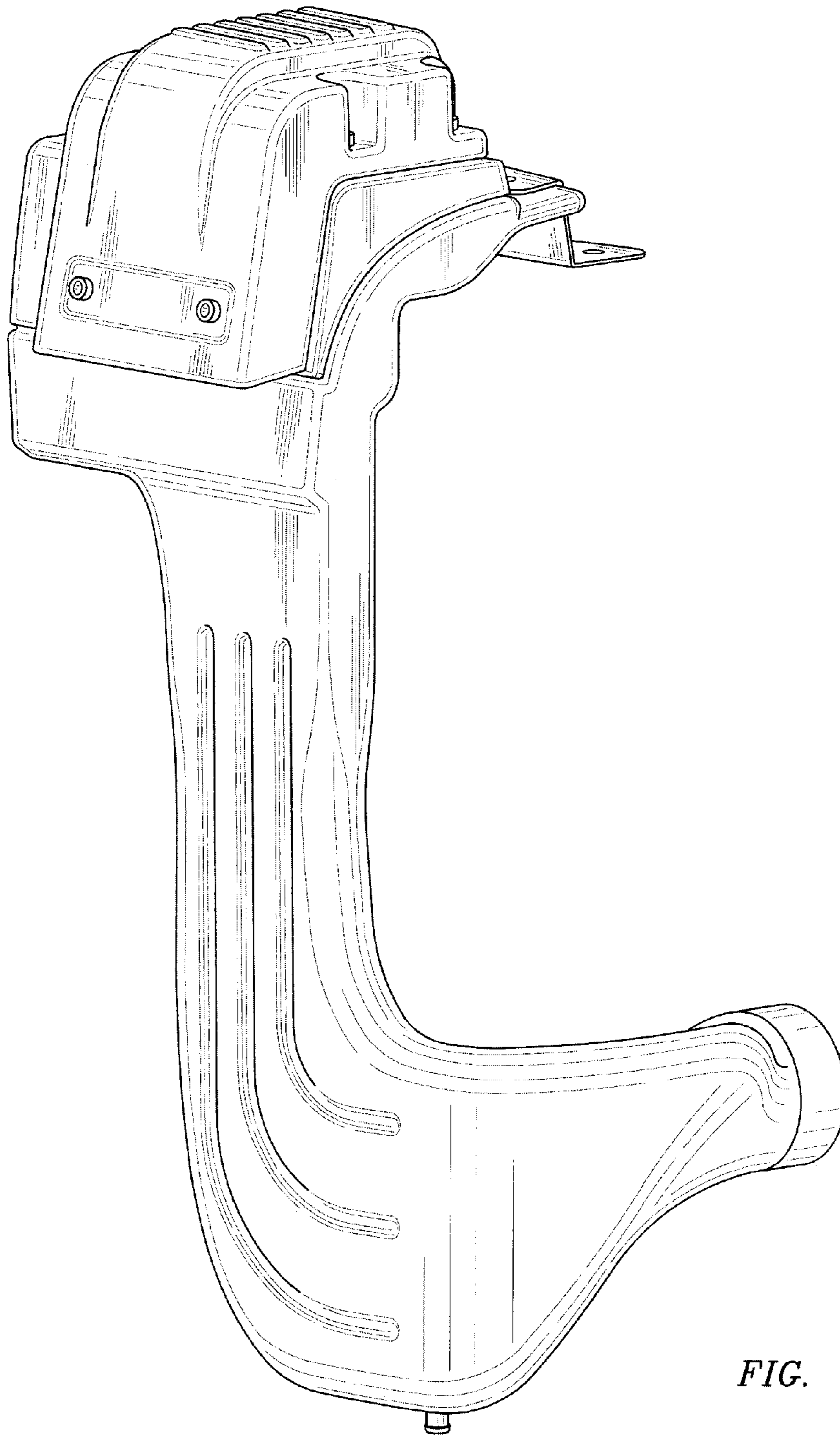


FIG. 1

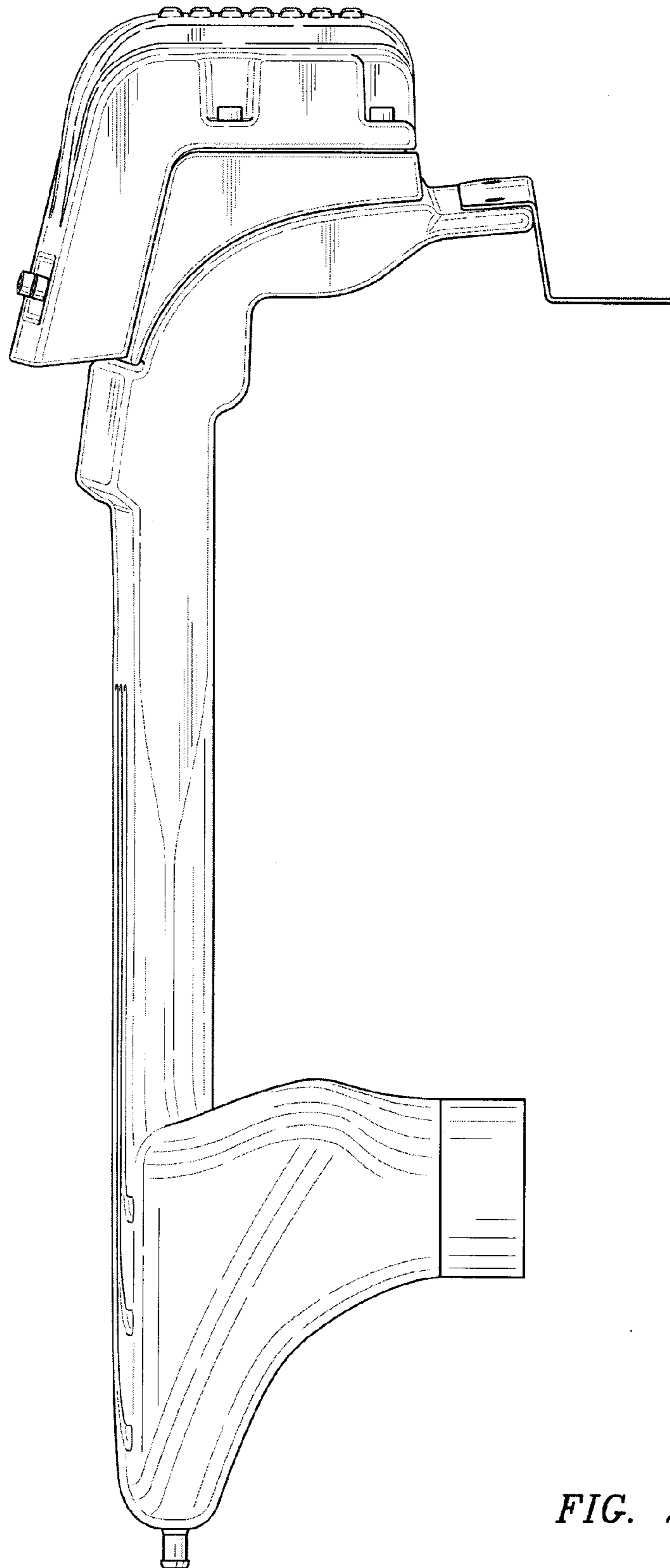


FIG. 2

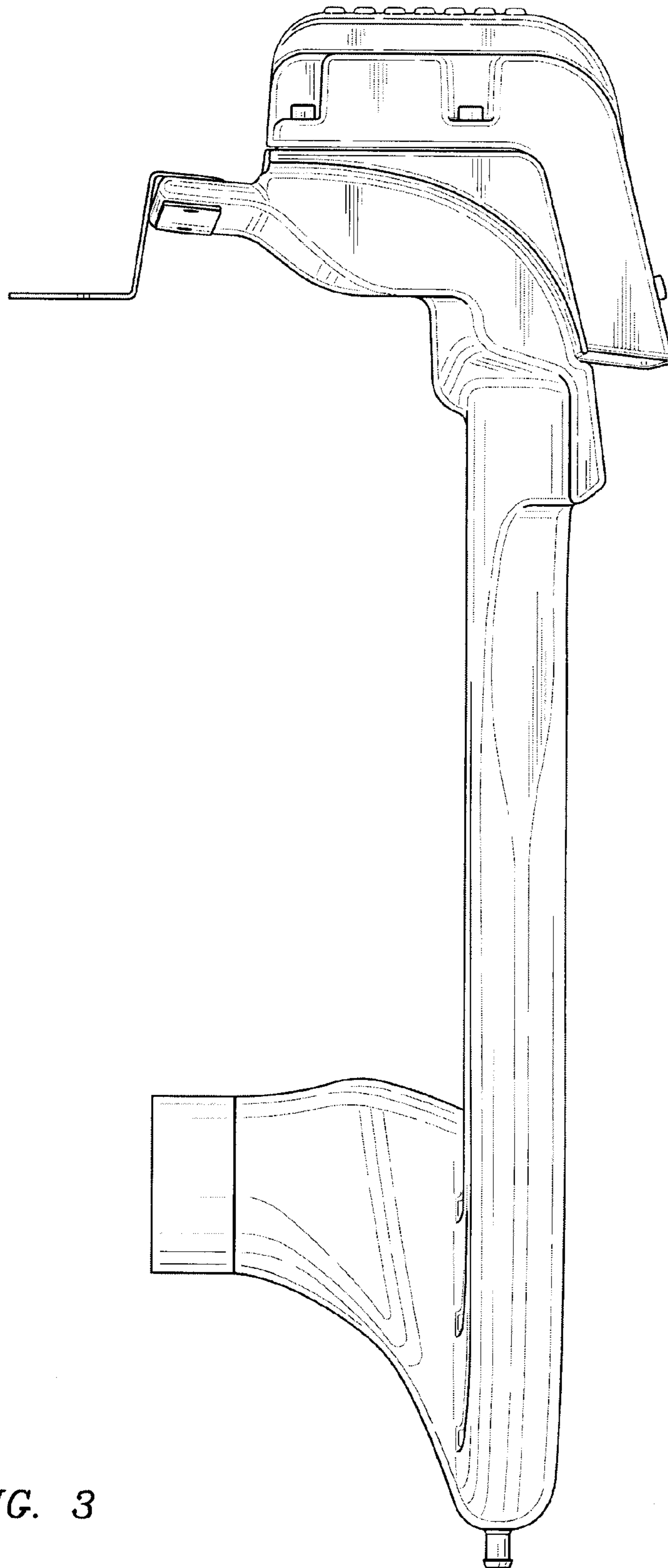


FIG. 3

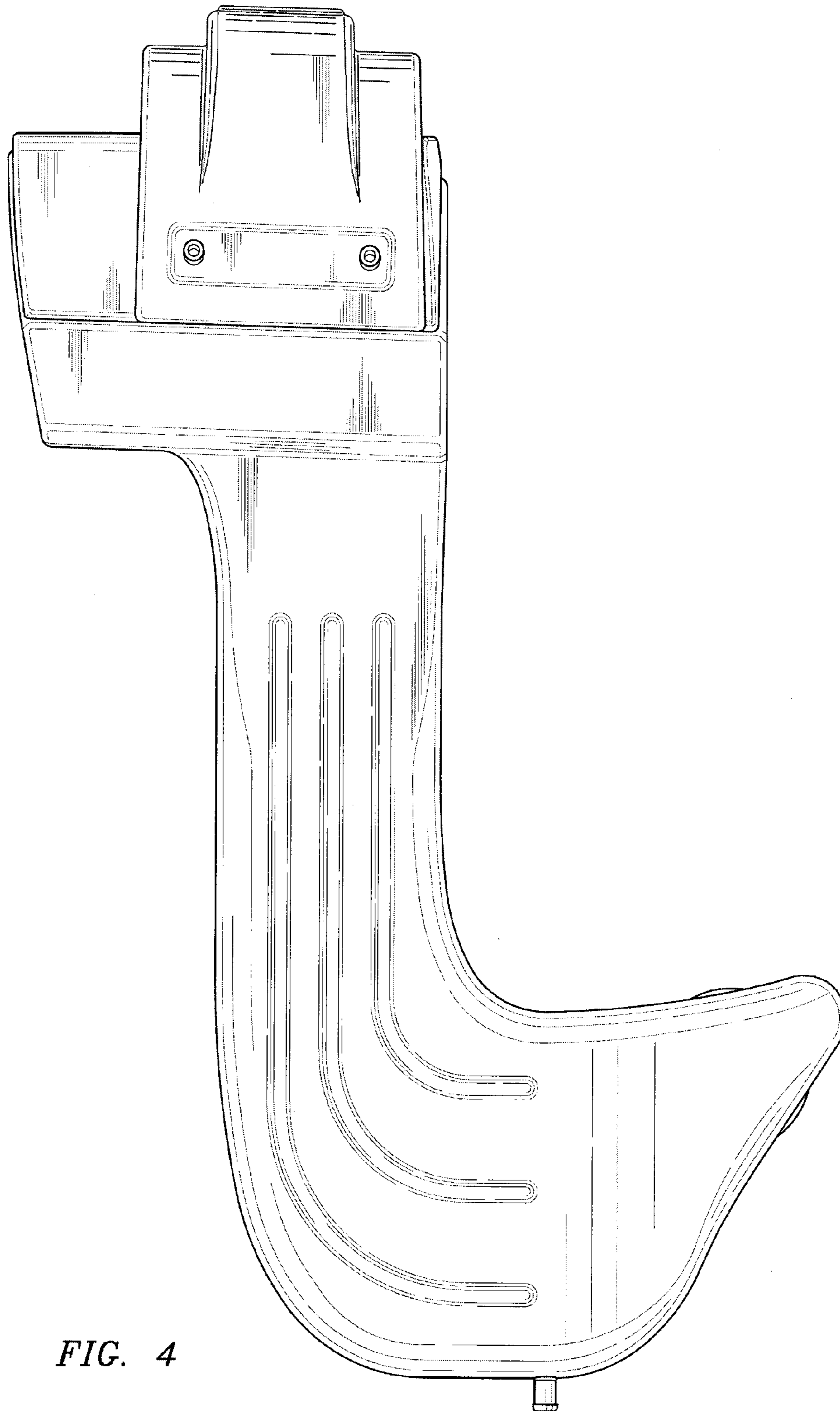


FIG. 4

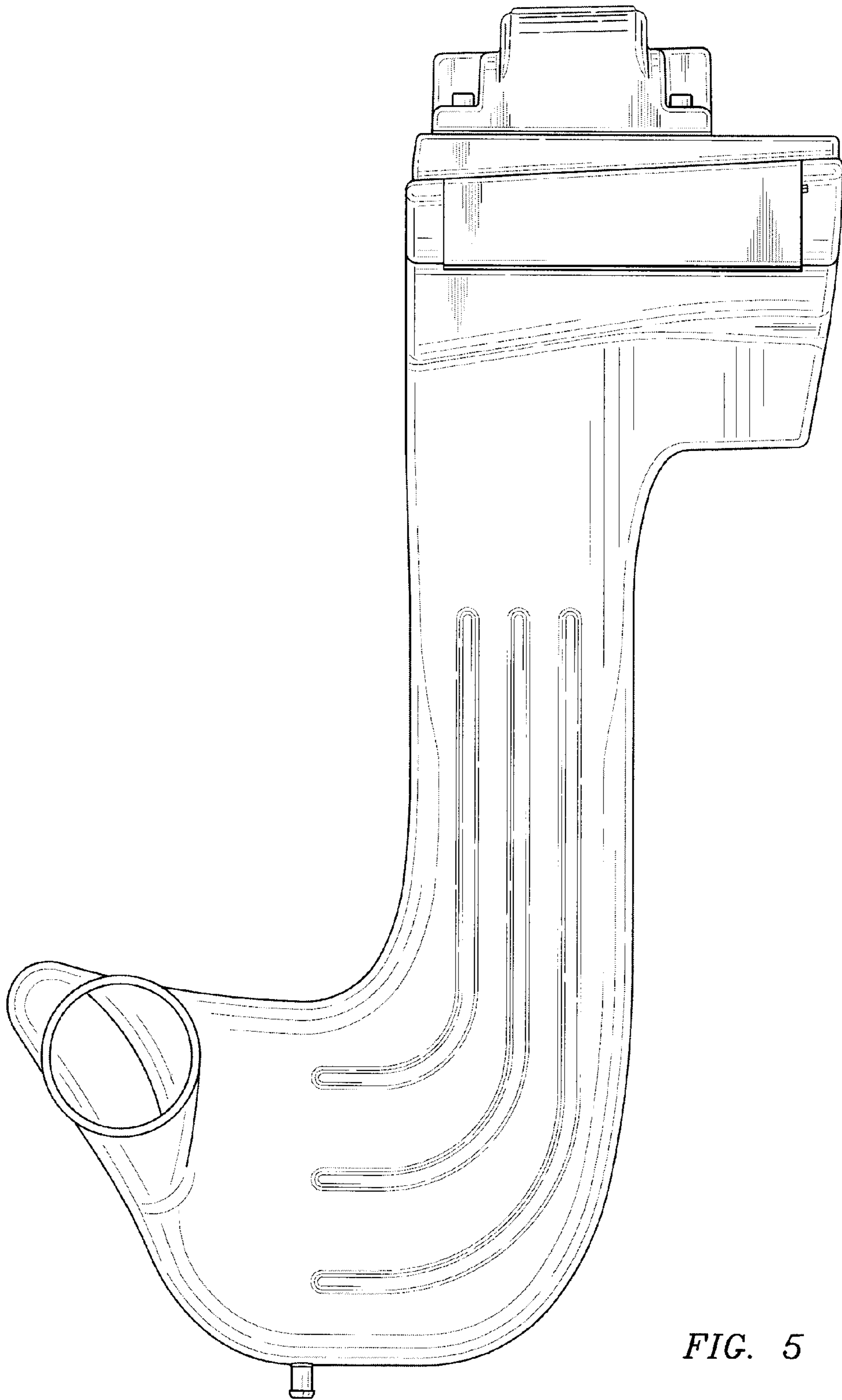


FIG. 5

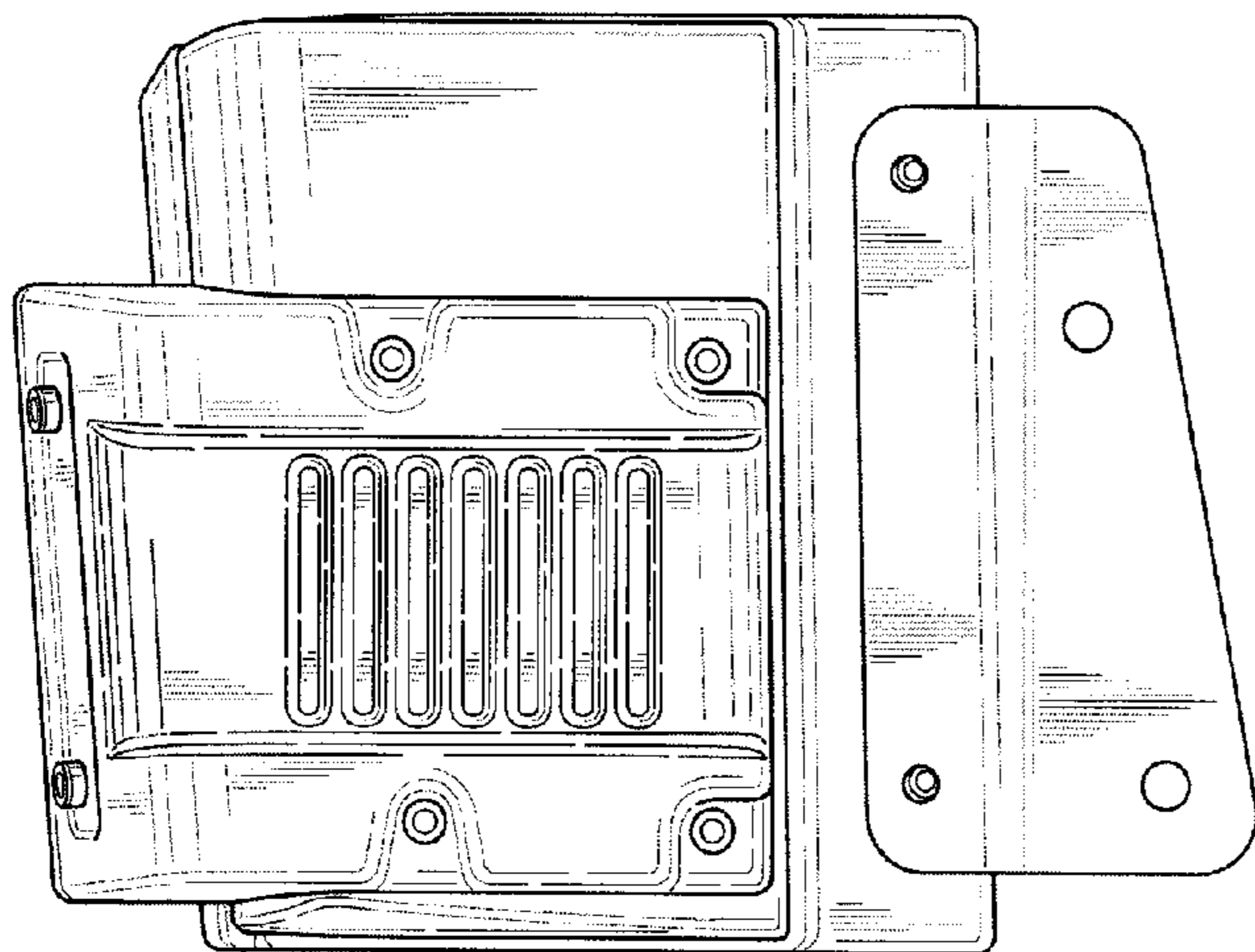


FIG. 6

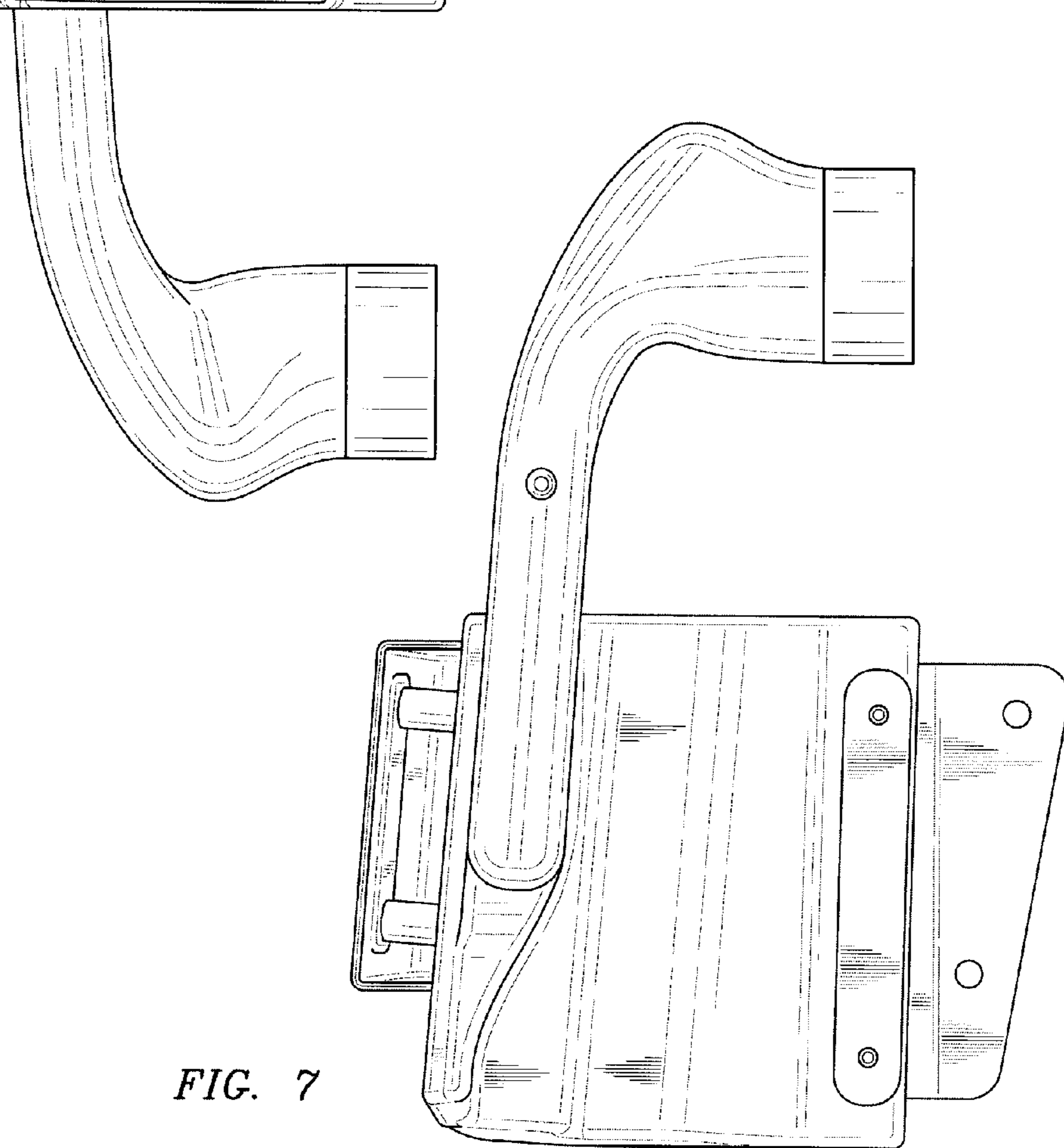


FIG. 7