

US00D687070S

(12) **United States Design Patent**
Liao

(10) **Patent No.:** **US D687,070 S**
(45) **Date of Patent:** **** Jul. 30, 2013**

(54) **COOLANT FILLING APPARATUS FOR A MOTOR VEHICLE**

(76) Inventor: **Ying-Chieh Liao**, Taichung (TW)

(**) Term: **14 Years**

(21) Appl. No.: **29/399,705**

(22) Filed: **Aug. 17, 2011**

D552,708 S *	10/2007	Daley et al.	D23/203
D623,274 S *	9/2010	Cavagna	D23/233
D638,915 S *	5/2011	Cardno et al.	D23/233
D640,154 S *	6/2011	Okitsu et al.	D10/85
7,992,600 B2 *	8/2011	Liu	141/65
D658,205 S *	4/2012	Taylor	D15/5
D675,714 S *	2/2013	Nguyen	D23/233
2010/0229959 A1 *	9/2010	Boyer	137/116.3
2011/0042603 A1 *	2/2011	Loeffler et al.	251/324
2012/0325338 A1 *	12/2012	Pettinaroli et al.	137/505

* cited by examiner

Related U.S. Application Data

(63) Continuation-in-part of application No. 12/367,495, filed on Feb. 6, 2009, now abandoned.

(51) **LOC (9) Cl.** **15-01**

(52) **U.S. Cl.**
USPC **D15/5**

(58) **Field of Classification Search**
USPC . D23/233-237, 244, 249, 259, 262; 137/240, 137/412, 801; D15/5; D12/400; 72/49; 220/298, 220/203.26, 300

See application file for complete search history.

(56) **References Cited**

U.S. PATENT DOCUMENTS

6,360,790 B1	3/2002	Klamm et al.	
D470,222 S *	2/2003	Nortier D23/233

Primary Examiner — Cynthia Ramirez

(74) *Attorney, Agent, or Firm* — Muncy, Geissler, Olds & Lowe, PLLC

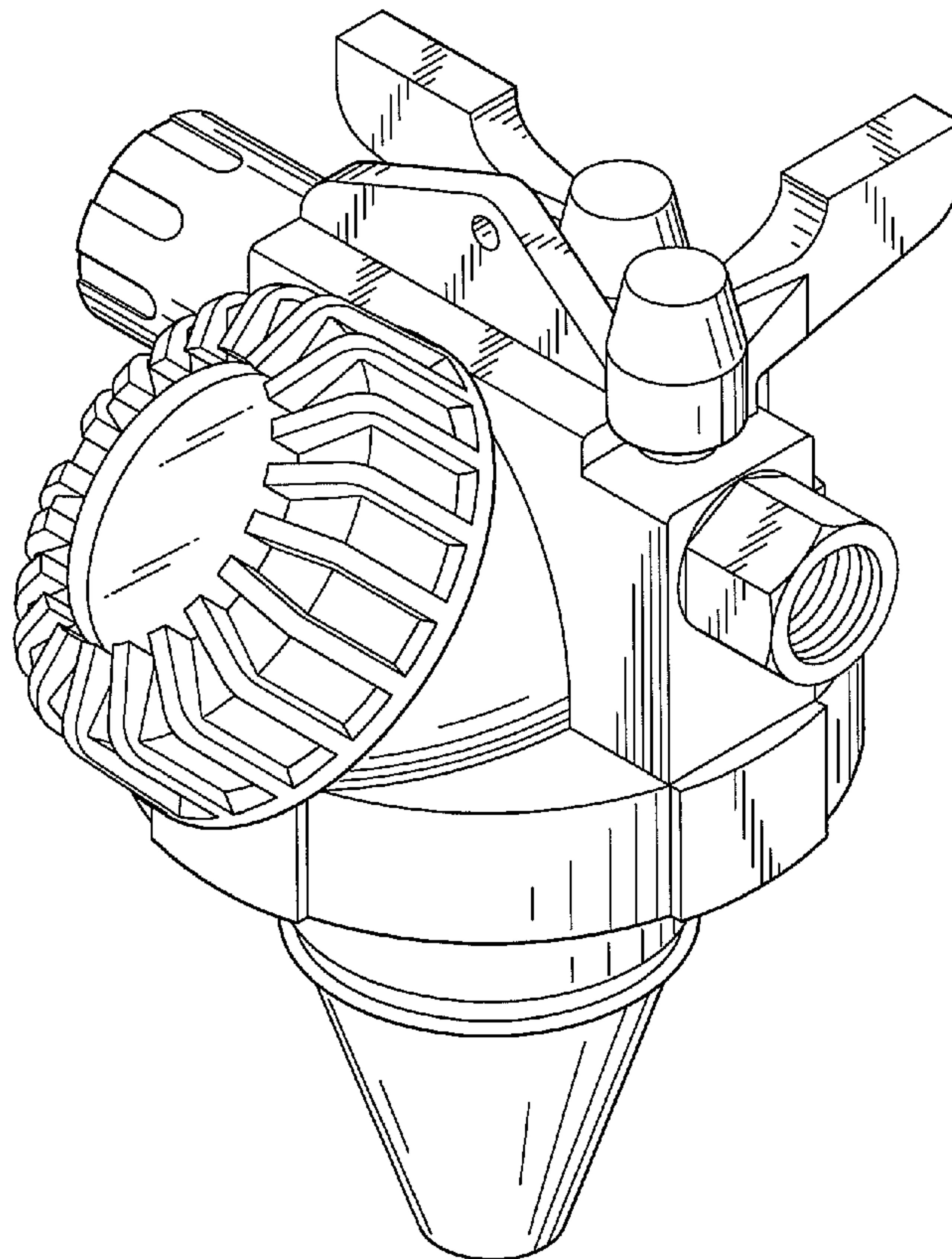
(57) **CLAIM**

I claim the ornamental design for a coolant filling apparatus for a motor vehicle, as shown and described.

DESCRIPTION

FIG. 1 is a perspective view of the coolant filling apparatus for a motor vehicle showing my new design;
FIG. 2 is a front view thereof;
FIG. 3 is a rear view thereof;
FIG. 4 is a left view thereof;
FIG. 5 is a right view thereof;
FIG. 6 is a top plan view thereof; and,
FIG. 7 is a bottom plan view thereof.

1 Claim, 7 Drawing Sheets



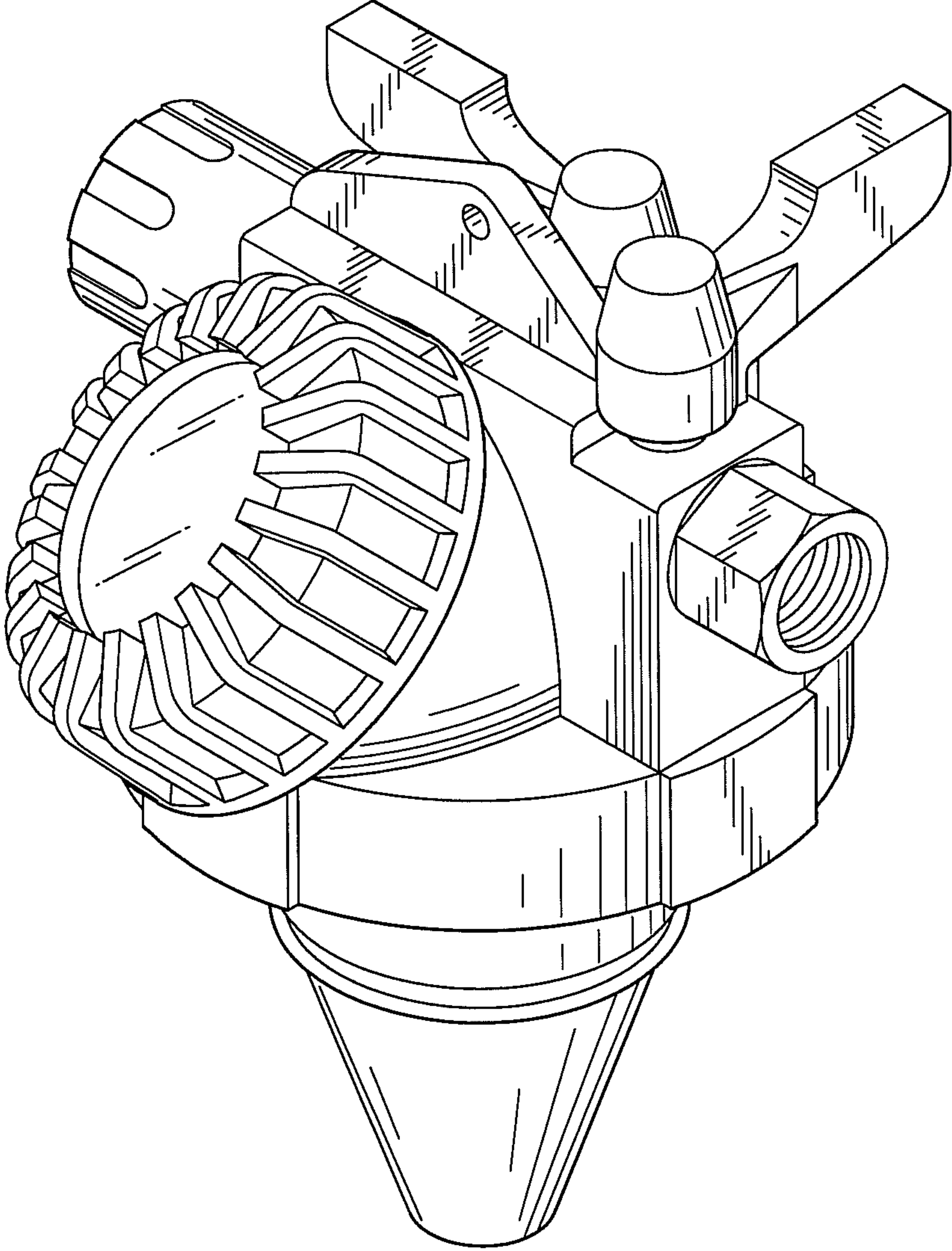


FIG. 1

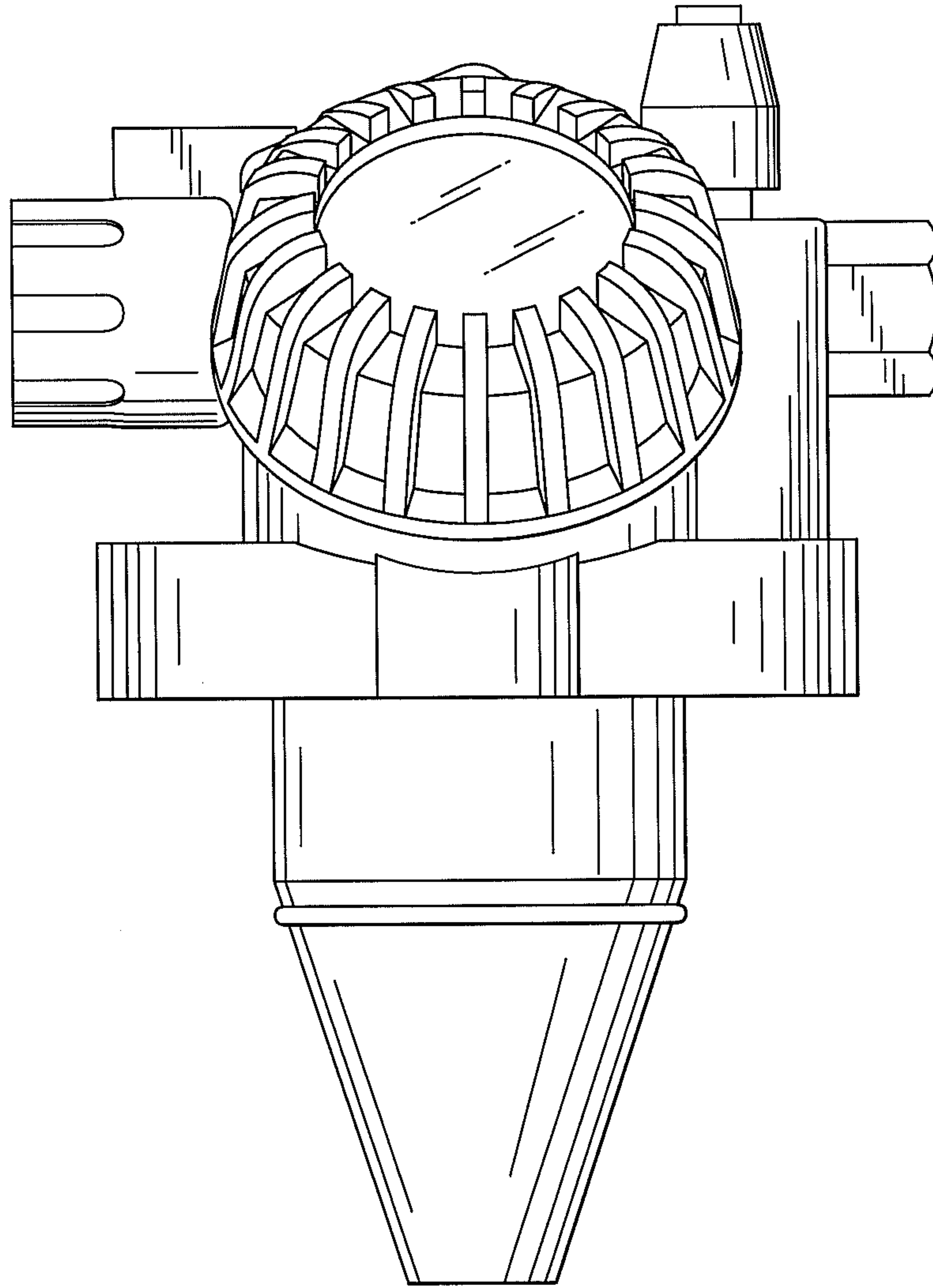


FIG. 2

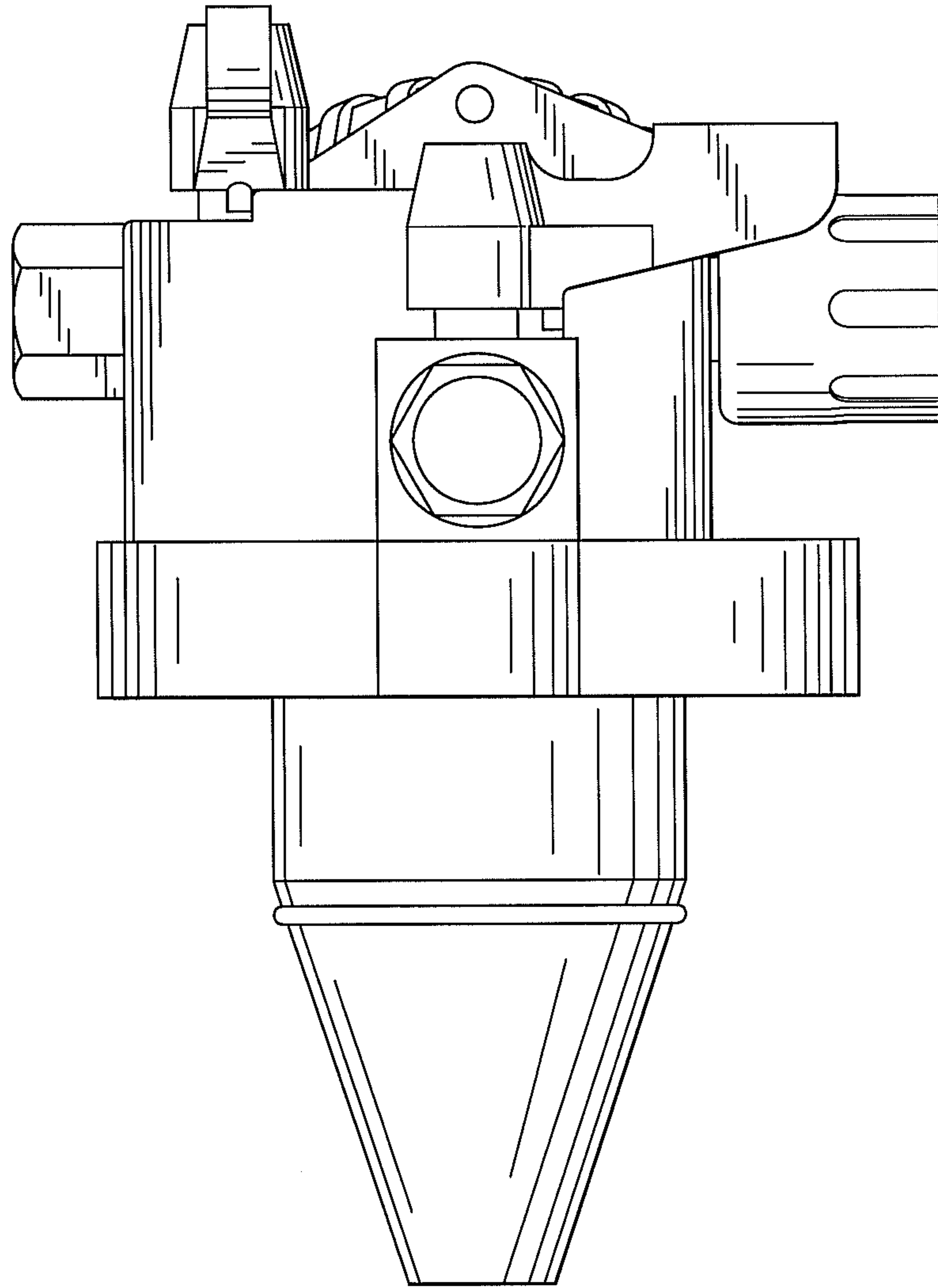


FIG. 3

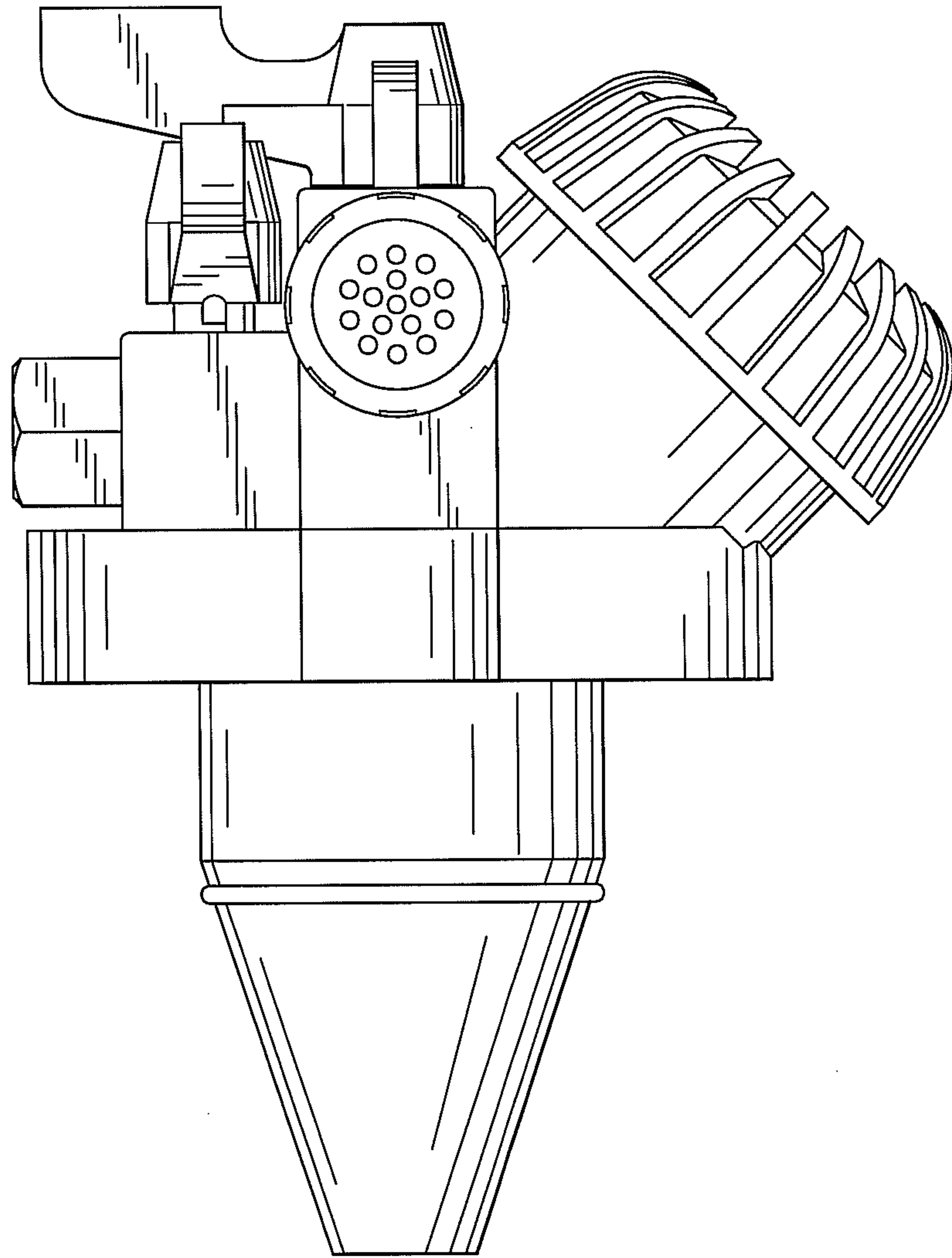


FIG. 4

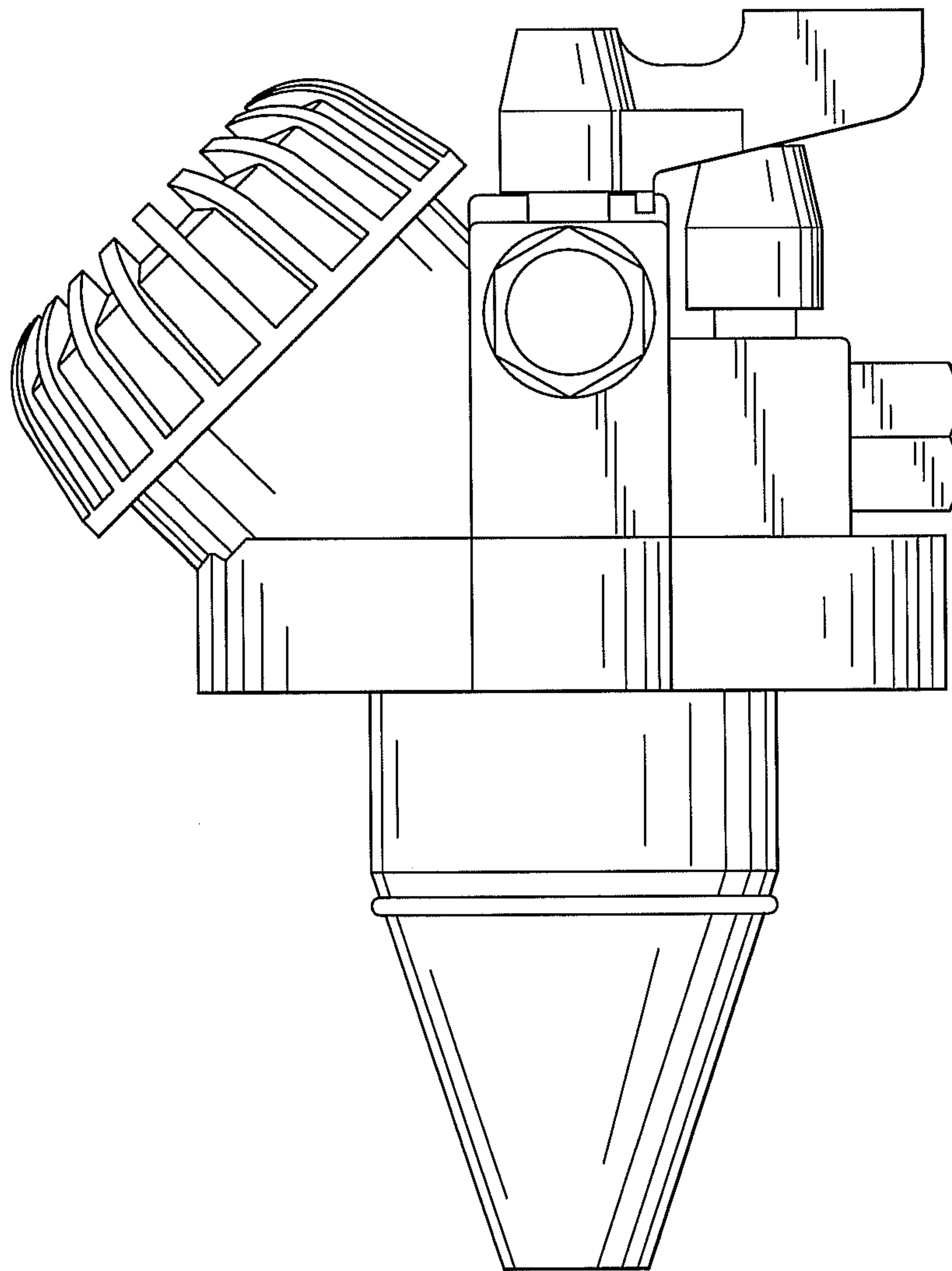


FIG. 5

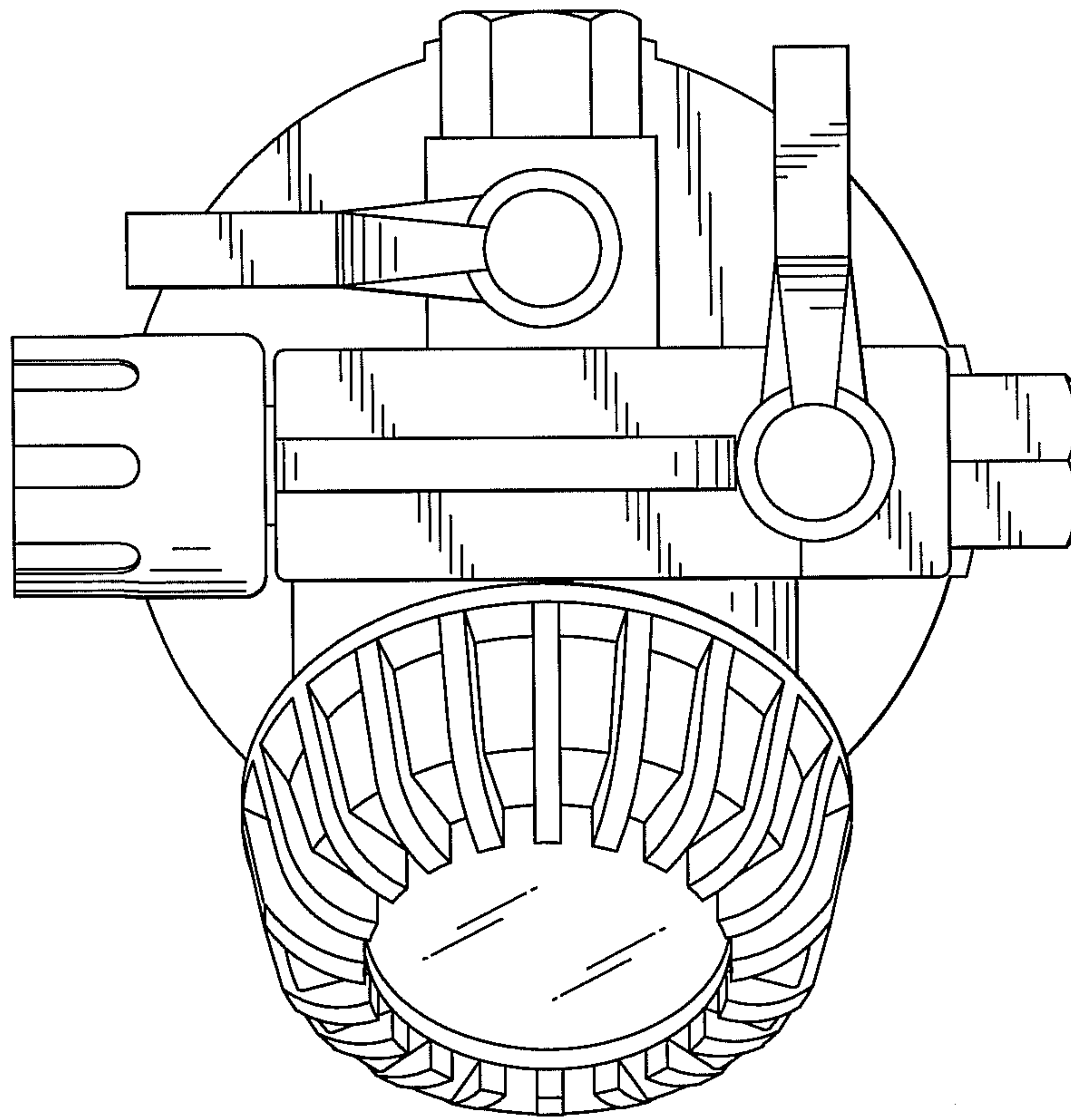


FIG. 6

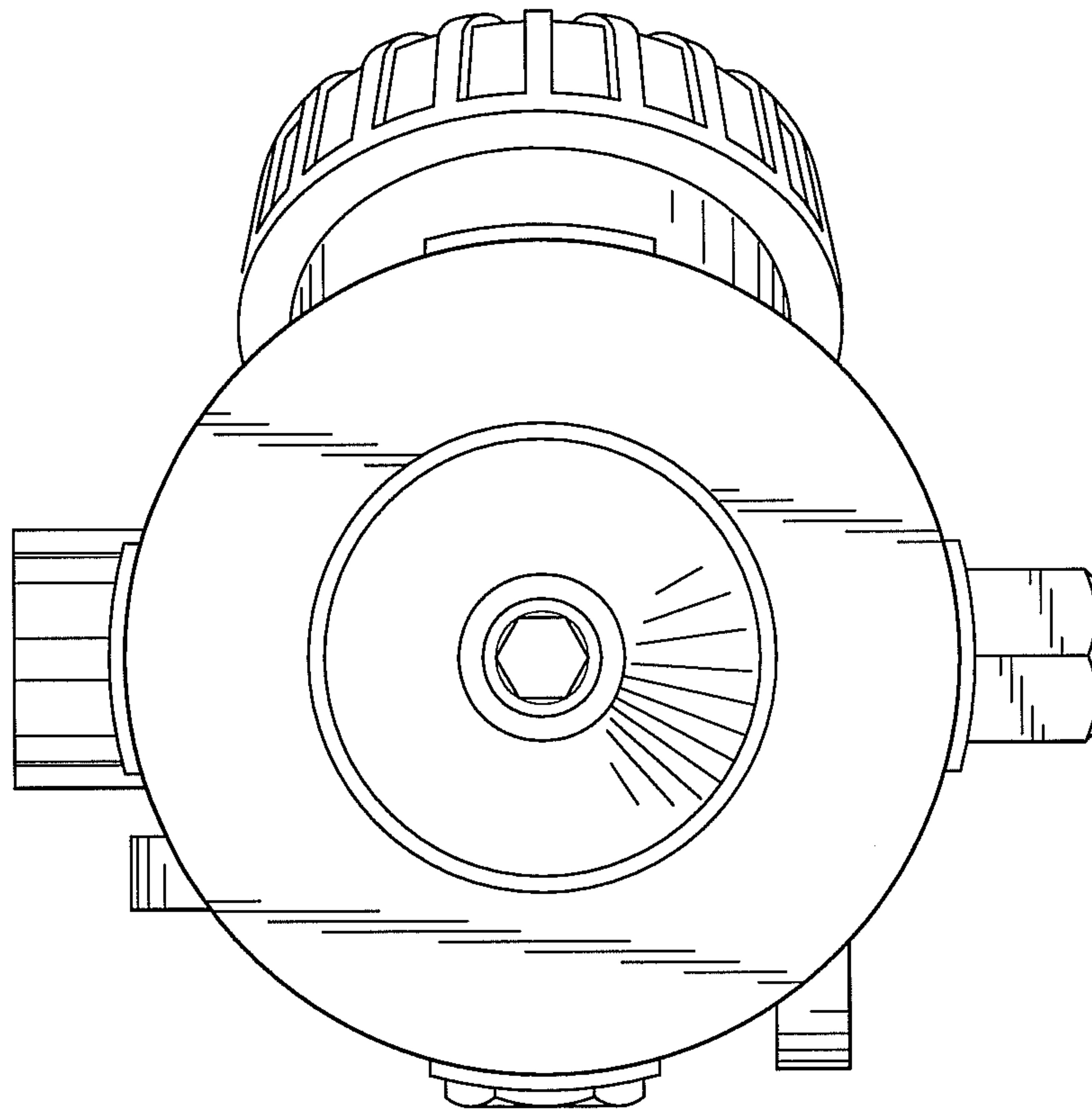


FIG. 7