

US00D687069S

(12) **United States Design Patent**
Takahashi et al.

(10) **Patent No.:** **US D687,069 S**
(45) **Date of Patent:** **** Jul. 30, 2013**

(54) **DIGITAL VIDEO DISC PLAYER**

(75) Inventors: **Yoichi Takahashi**, Kyoto (JP); **Kosaku Wada**, Osaka (JP)

(73) Assignee: **Panasonic Corporation**, Osaka (JP)

(**) Term: **14 Years**

(21) Appl. No.: **29/401,899**

(22) Filed: **Sep. 16, 2011**

(30) **Foreign Application Priority Data**

Sep. 5, 2011 (JP) 2011-020141

(51) **LOC (9) Cl.** **D14-03**

(52) **U.S. Cl.**
USPC **D14/500**

(58) **Field of Classification Search**

USPC D14/135, 157, 168, 188, 197-198,
D14/257-258, 348, 356, 363, 365, 367-368,
D14/498-511; 360/99.02, 99.07; 369/75.11,
369/75.21, 77.11, 77.21; 455/344, 347-351

See application file for complete search history.

(56) **References Cited**

U.S. PATENT DOCUMENTS

D524,775 S * 7/2006 Liu D14/505
D562,277 S * 2/2008 Zhang D14/506
D574,360 S * 8/2008 Matsuoka D14/168
D589,876 S * 4/2009 Hong et al. D13/108
D647,902 S * 11/2011 Kihl et al. D14/365

OTHER PUBLICATIONS

Blurayfreak.com, "CES 2011: Samsung Launch BD-6500 and BD-6700", obtained from internet address <http://www.blurayfreak.com/2011/01/ces-2011-samsung-launch-bd-d6500-and-bd-d6700.html> on Sep. 7, 2011, 3 pages.

* cited by examiner

Primary Examiner — Keli L Hill

(74) *Attorney, Agent, or Firm* — Brinks Hofer Gilson & Lione

(57) **CLAIM**

We claim the ornamental design for a digital video disc player, as shown and described.

DESCRIPTION

FIG. 1 is a top perspective view of a digital video disc player of the present invention;
FIG. 2 is a front view thereof;
FIG. 3 is a rear view thereof;
FIG. 4 is a first side view thereof;
FIG. 5 is a second side view thereof;
FIG. 6 is a top view thereof; and,
FIG. 7 is a bottom view thereof.

The change in contrast represents a change in color, material or texture and does not depict any particular color, material or texture.

The broken lines shown represent boundaries of the claimed design, and the areas surrounded by the broken lines form no part of the claimed design.

1 Claim, 4 Drawing Sheets

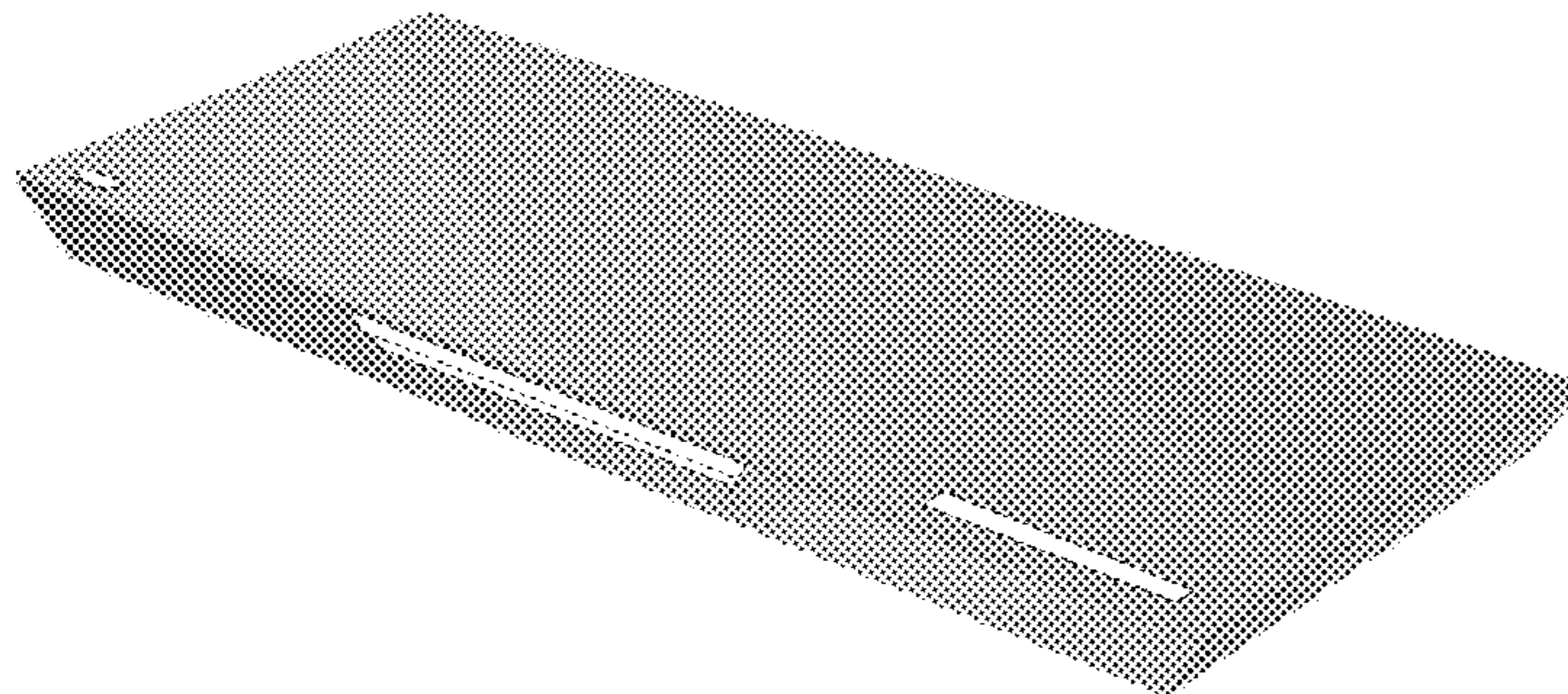


FIG 1

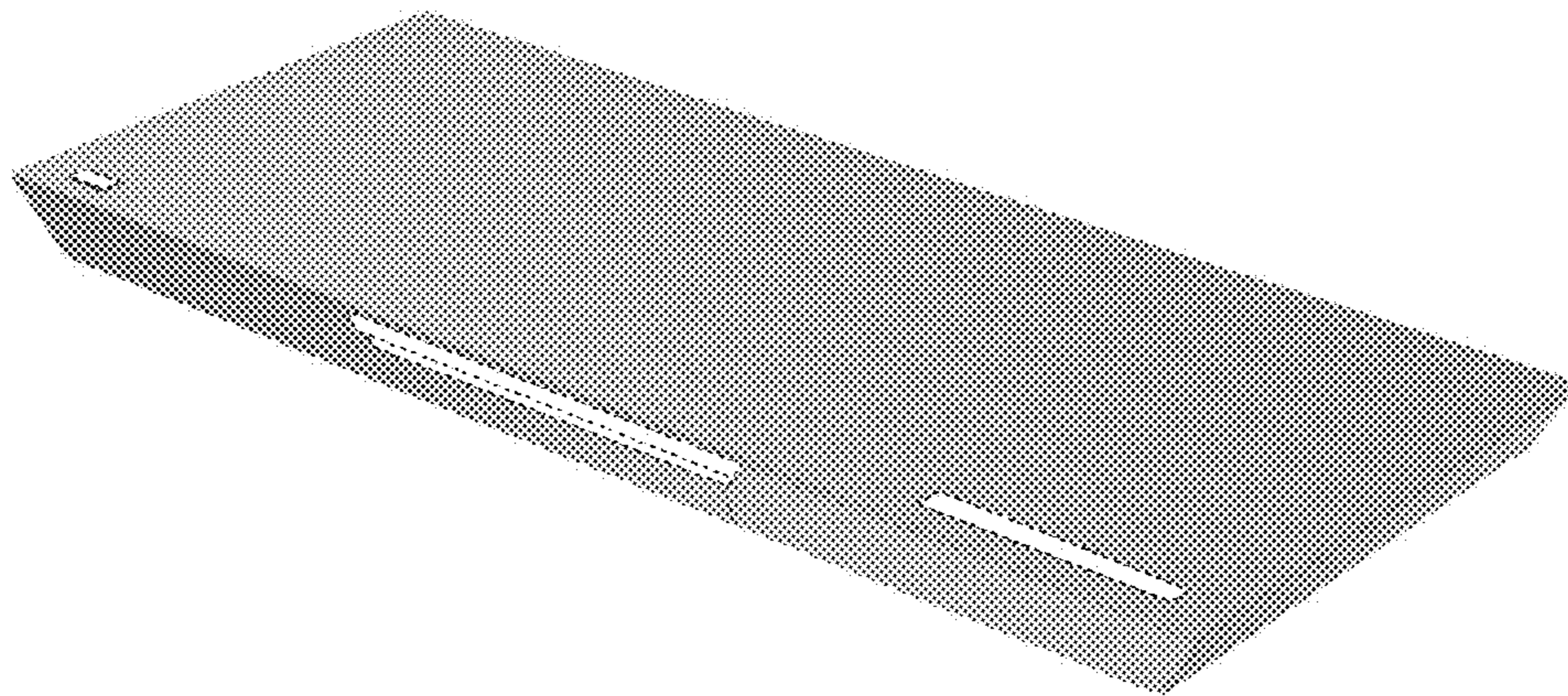


FIG 2

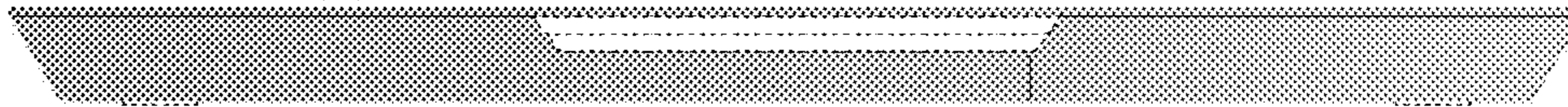


FIG 3



FIG 4

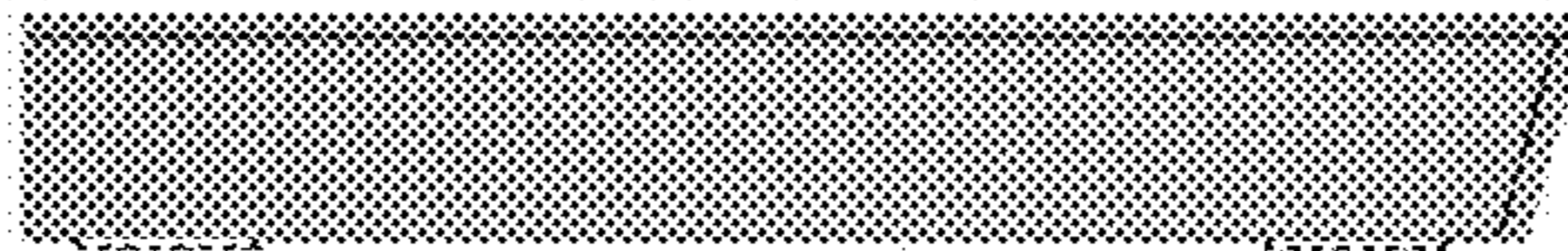


FIG 5

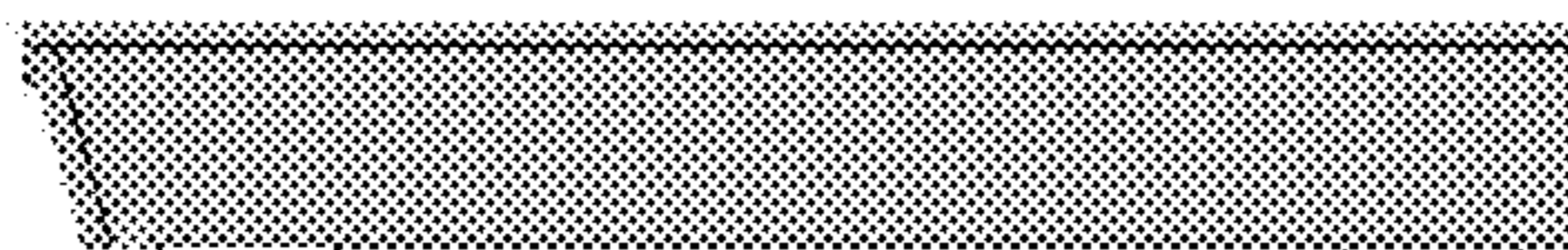


FIG 6

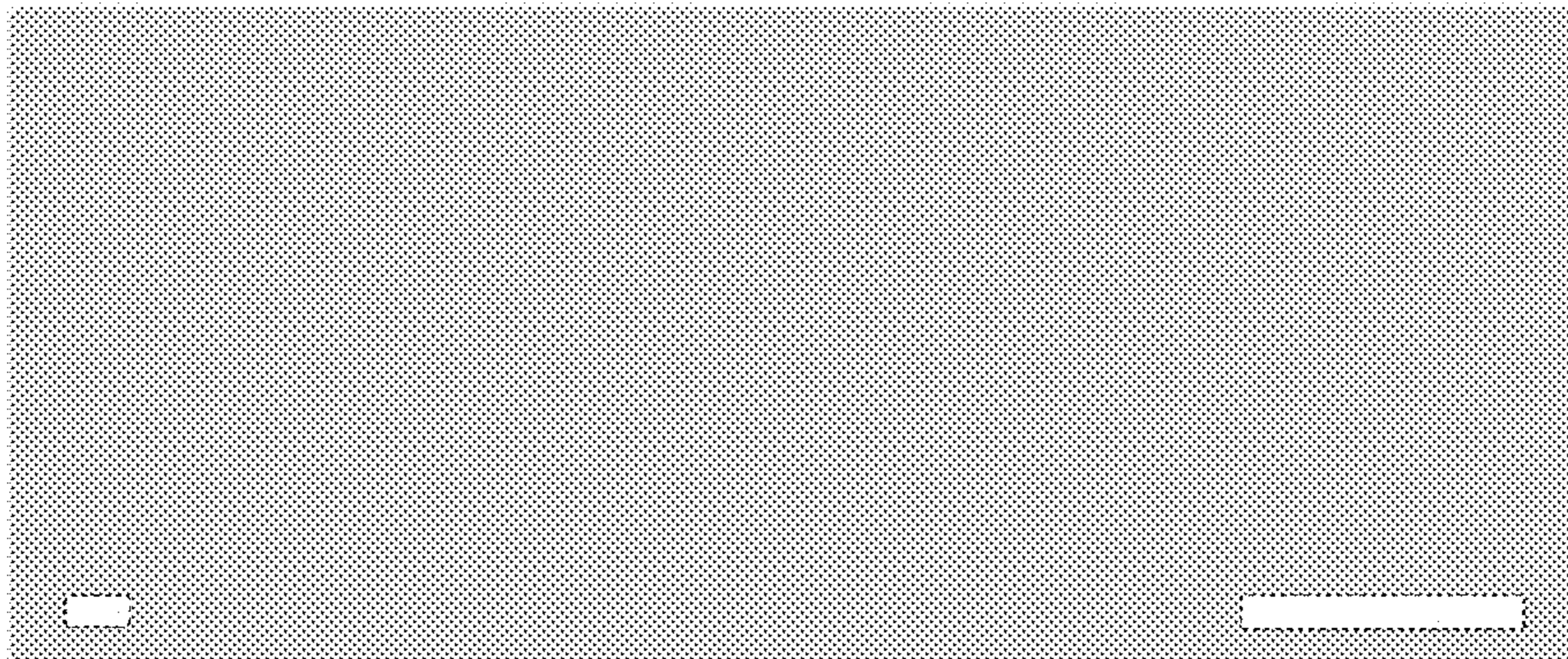


FIG 7

