



US00D687068S

(12) **United States Design Patent**
Paradise et al.

(10) **Patent No.:** **US D687,068 S**
(45) **Date of Patent:** **** Jul. 30, 2013**

(54) **MEDIA DEVICE**

Primary Examiner — Prabhakar Deshmukh

(75) Inventors: **Michael F Paradise**, Chicago, IL (US);
David M Gargani, Lansdale, PA (US)

(57) **CLAIM**
The ornamental design for a media device, as shown and described.

(73) Assignee: **Motorola Mobility, LLC**, Libertyville, IL (US)

DESCRIPTION

(**) Term: **14 Years**

(21) Appl. No.: **29/414,988**

(22) Filed: **Mar. 6, 2012**

(51) **LOC (9) Cl.** **14-03**

(52) **U.S. Cl.**
USPC **D14/496**

(58) **Field of Classification Search**
USPC D14/496, 401, 435, 474, 483, 217,
D14/137, 138, 160, 168, 356, 203.1–203.8,
D14/507; 345/156, 169, 173–179, 905;
715/727–729, 864; 710/1, 5, 8; 713/1, 600;
455/1.1, 1.7, 73, 344–347, 93, 95, 3.01–3.06,
455/550.1, 573.1; 370/342–344; 369/1, 2,
369/6–12; 463/43–47; 273/148 B
See application file for complete search history.

FIG. 1 is a rear perspective view of a first embodiment of an ornamental design for a media device;
FIG. 2 is a front perspective view of the first embodiment thereof;
FIG. 3 is a rear view of the first embodiment thereof;
FIG. 4 is a front view of the first embodiment thereof;
FIG. 5 is a first side view of the first embodiment thereof;
FIG. 6 is a second side view of the first embodiment thereof;
FIG. 7 is a bottom view of the first embodiment thereof; and
FIG. 8 is a top view of the first embodiment thereof.
FIG. 9 is a rear perspective view of a second embodiment of an ornamental design for a media device;
FIG. 10 is a front perspective view of the second embodiment thereof;
FIG. 11 is a rear view of the second embodiment thereof;
FIG. 12 is a front view of the second embodiment thereof;
FIG. 13 is a first side view of the second embodiment thereof;
FIG. 14 is a second side view of the second embodiment thereof;
FIG. 15 is a bottom view of the second embodiment thereof; and,
FIG. 16 is a top view of the second embodiment thereof.
The broken lines shown in FIGS. 1-8, that are immediately adjacent to the shaded areas, and define unshaded regions, represent the bounds of the first embodiment, while all other broken lines are directed to environment and are for illustrative purposes only; the broken lines form no part of the first embodiment.

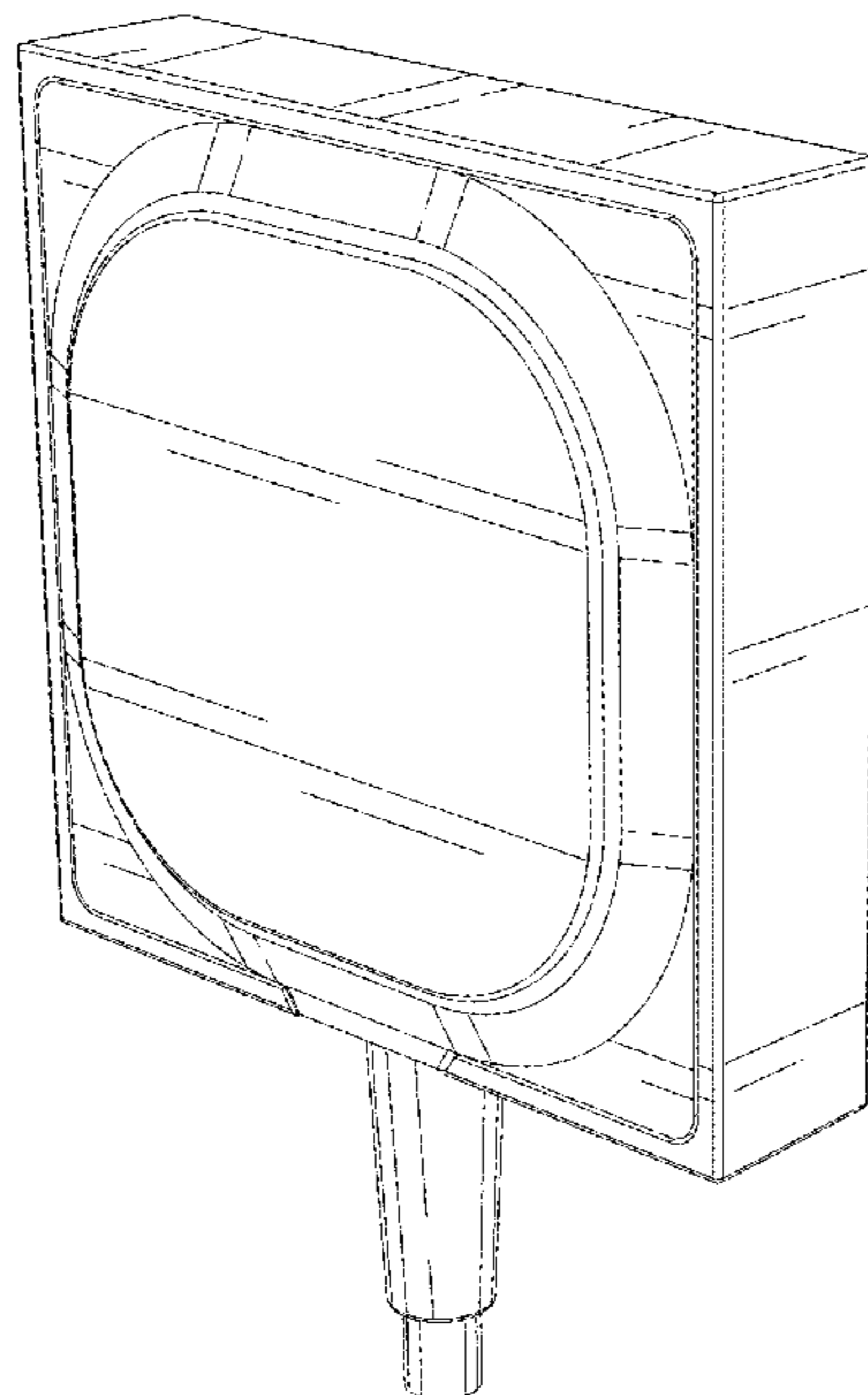
(56) **References Cited**

U.S. PATENT DOCUMENTS

6,591,085	B1 *	7/2003	Grady	455/42
6,807,591	B2 *	10/2004	Kao	710/74
D518,065	S *	3/2006	Kobayashi	D14/203.2
7,070,425	B2 *	7/2006	Regen et al.	439/131
7,074,082	B2 *	7/2006	Kerlin et al.	439/607.27
D536,703	S *	2/2007	Kim	D14/203.7
D555,665	S *	11/2007	Yeo et al.	D14/496
D558,783	S *	1/2008	Andre et al.	D14/496

(Continued)

1 Claim, 12 Drawing Sheets



US D687,068 S

Page 2

U.S. PATENT DOCUMENTS			
D563,434 S *	3/2008	Dai	D14/496
D577,370 S *	9/2008	Fried	D14/496
D578,546 S *	10/2008	Fullerton	D14/496
7,452,287 B2 *	11/2008	Erickson et al.	473/345
D620,953 S	8/2010	Andre et al.	
D649,160 S *	11/2011	Smith	D14/496

* cited by examiner

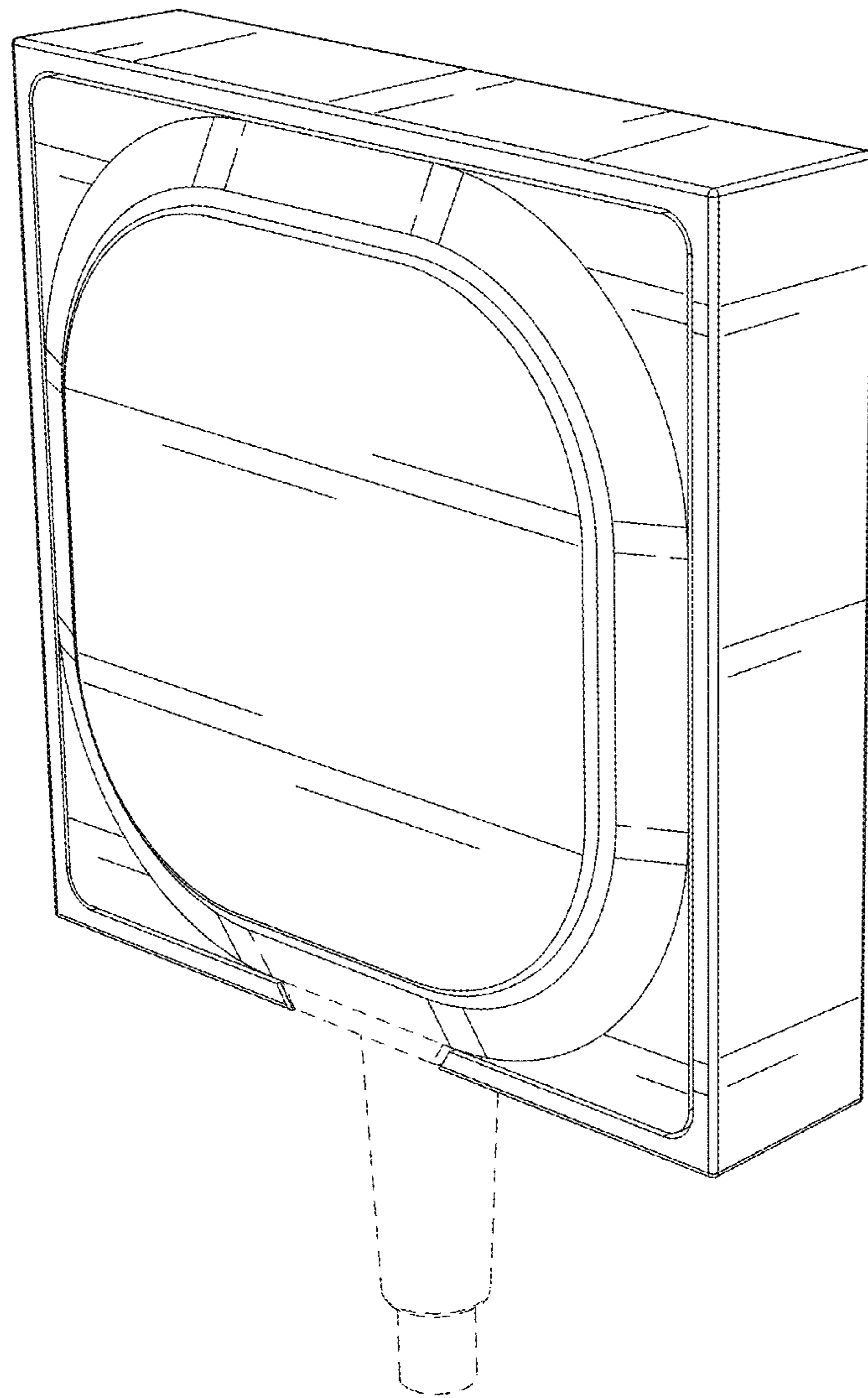


FIG.1

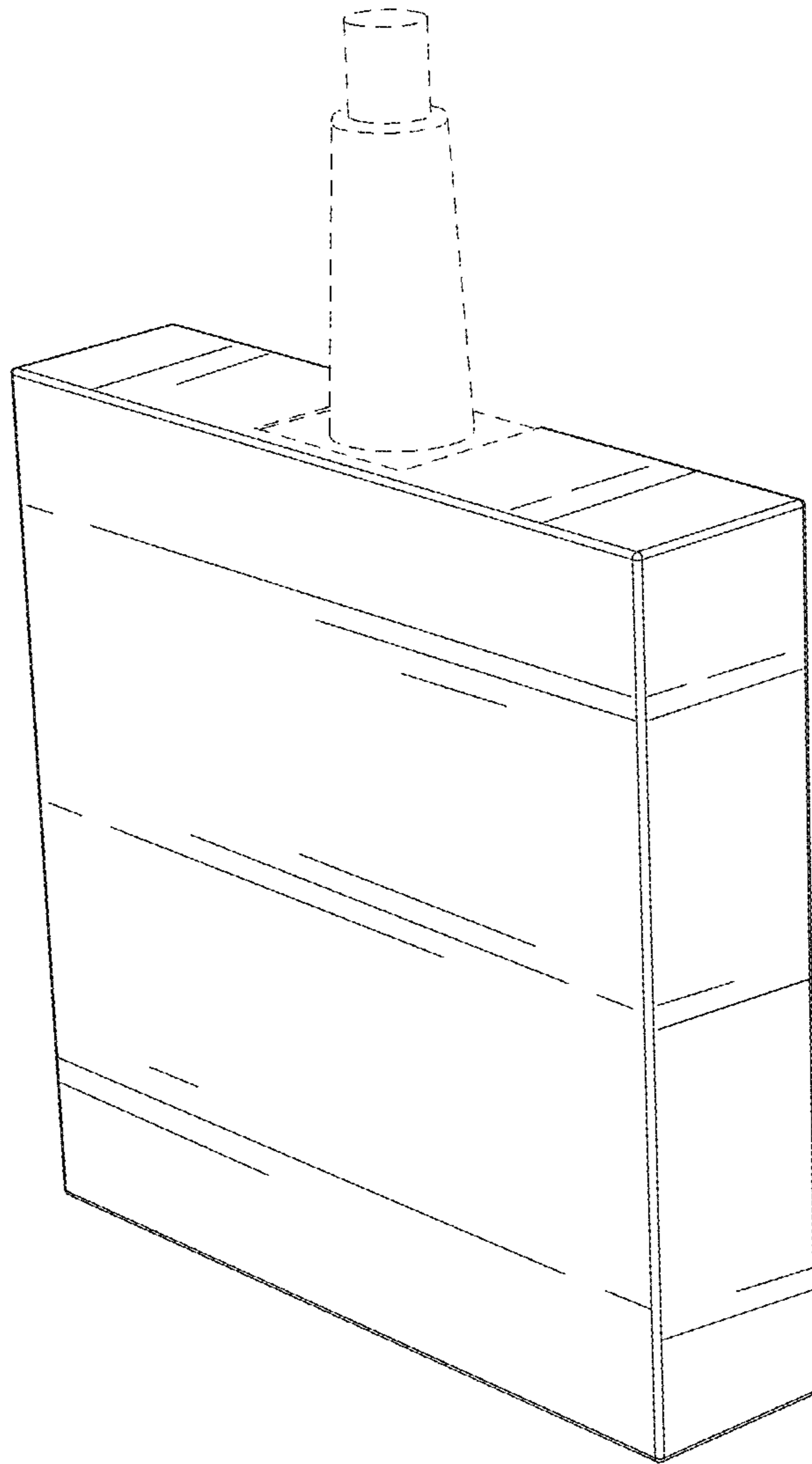


FIG. 2

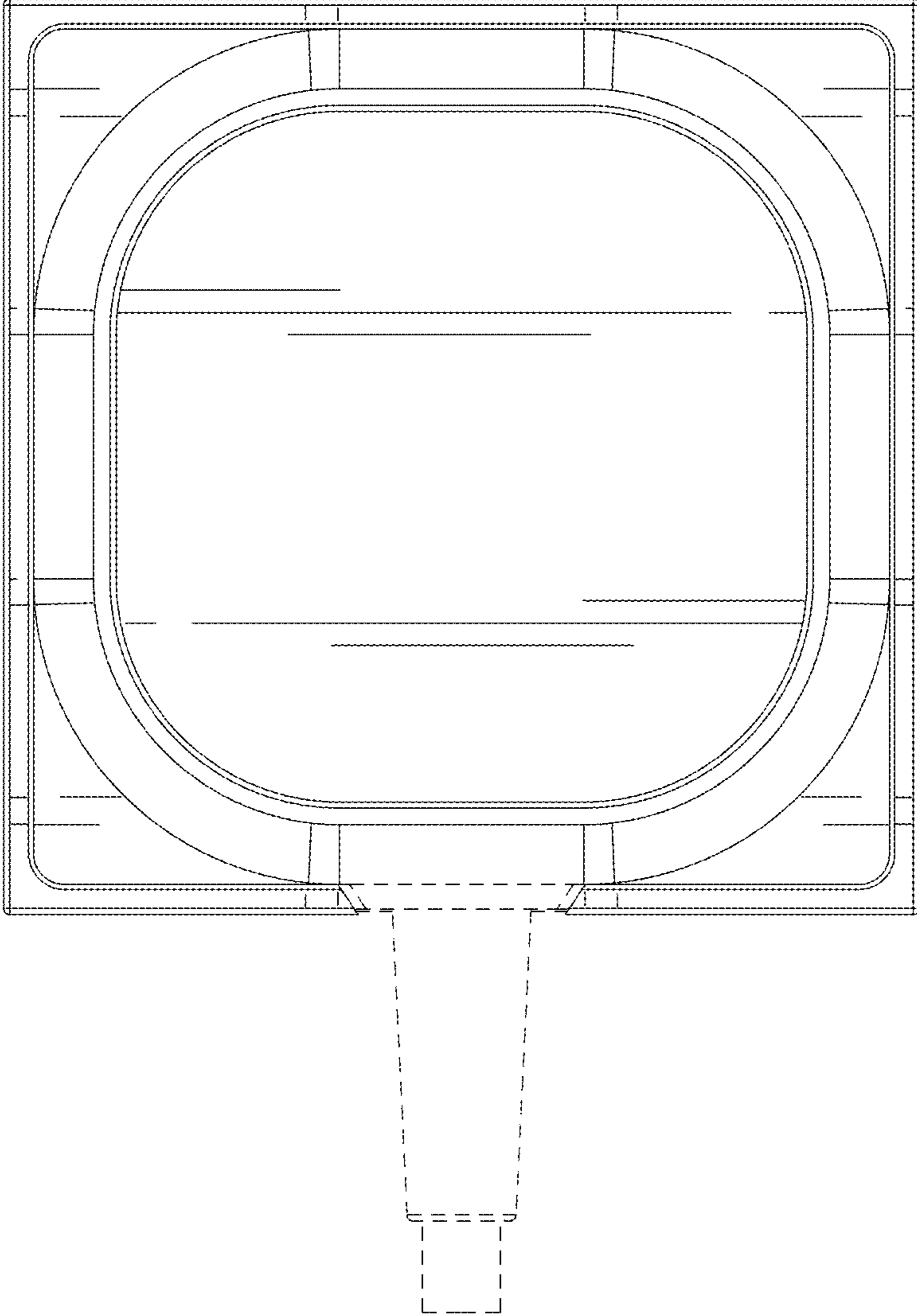


FIG. 3

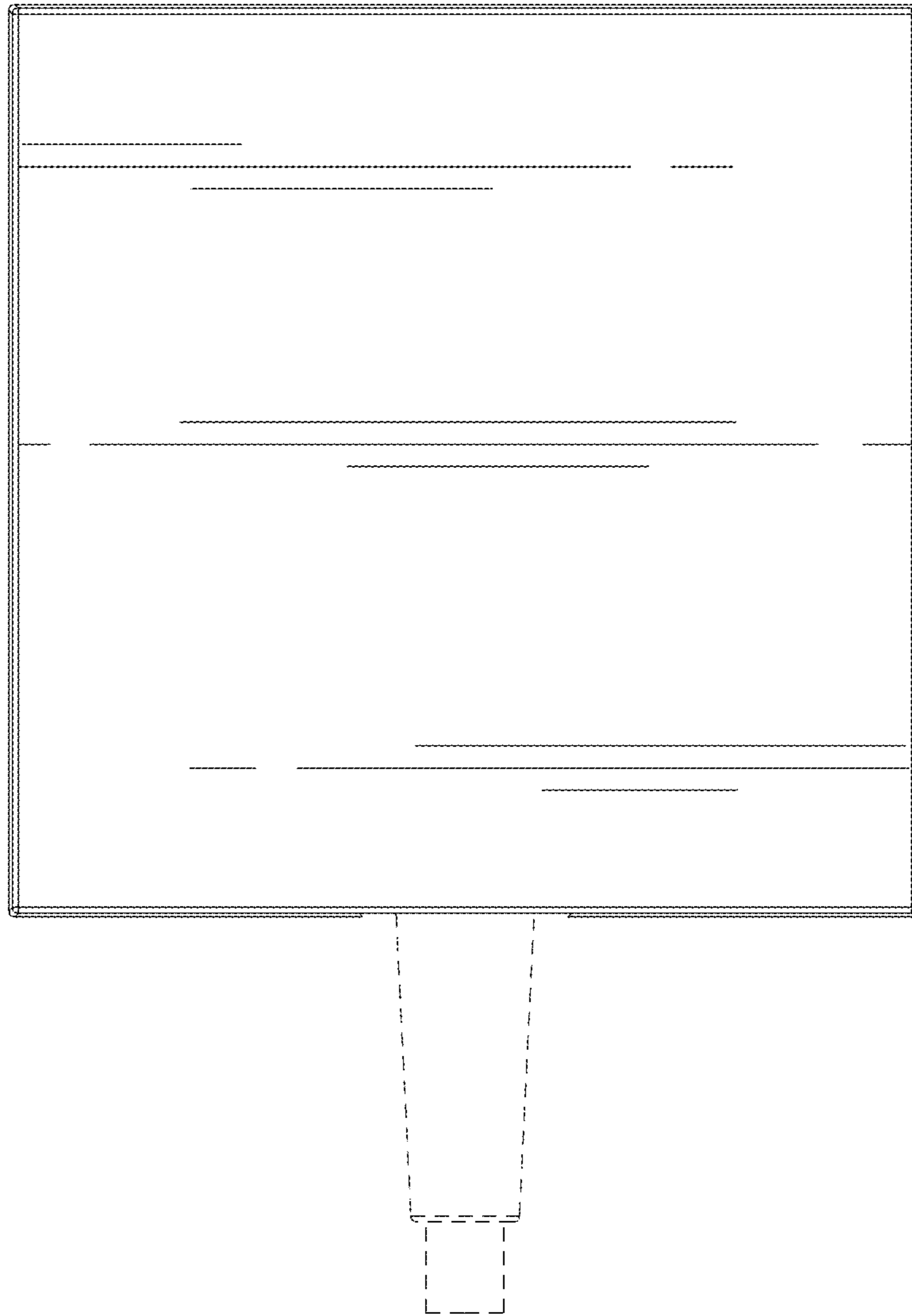


FIG. 4

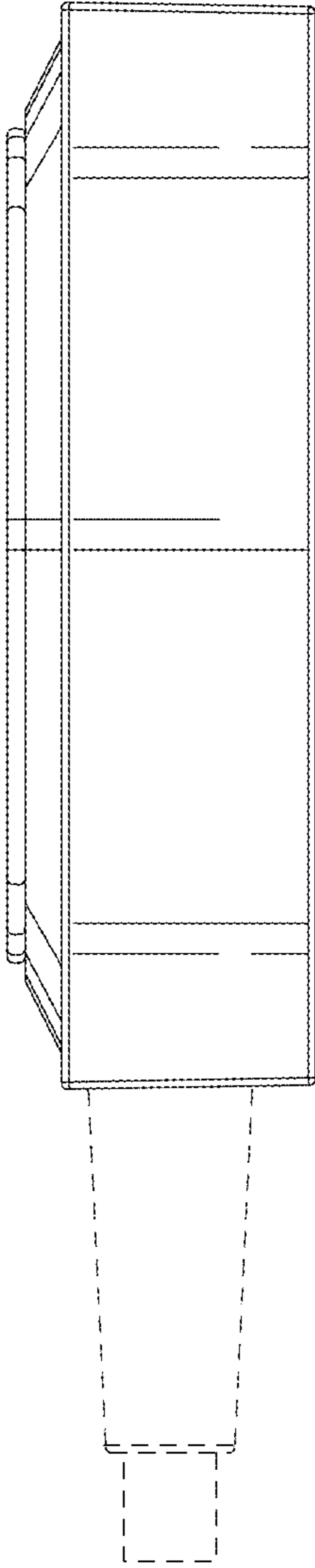


FIG. 5

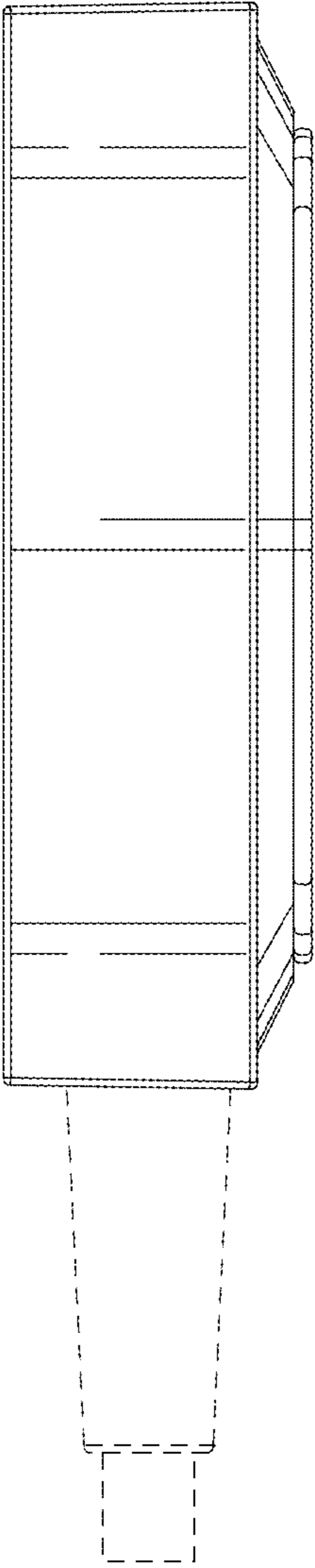


FIG. 6

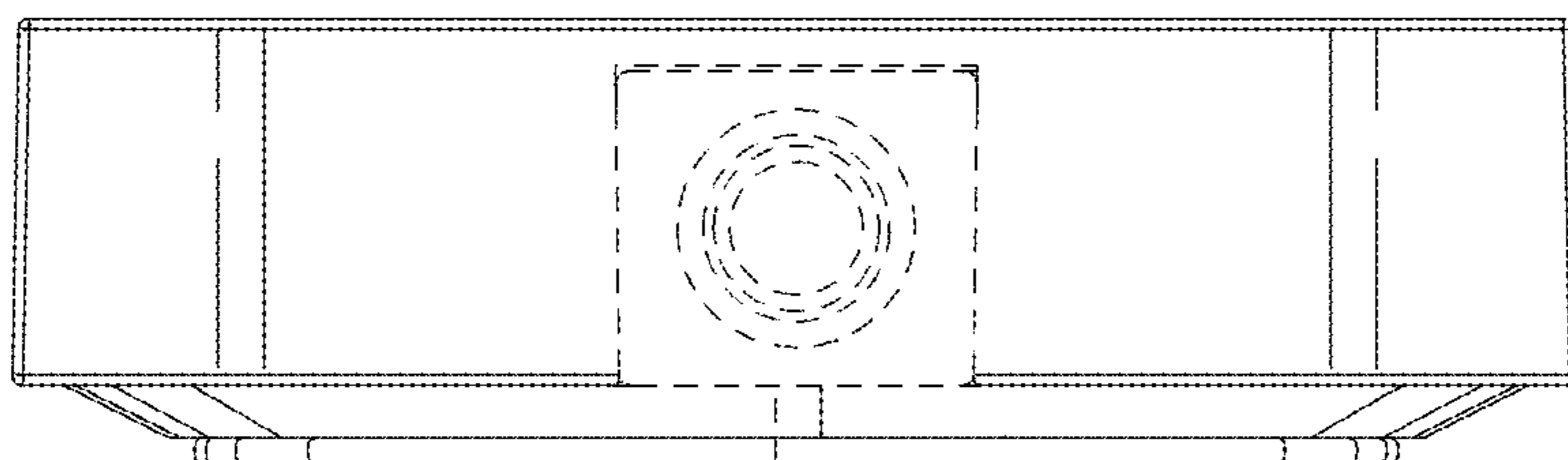


FIG. 7

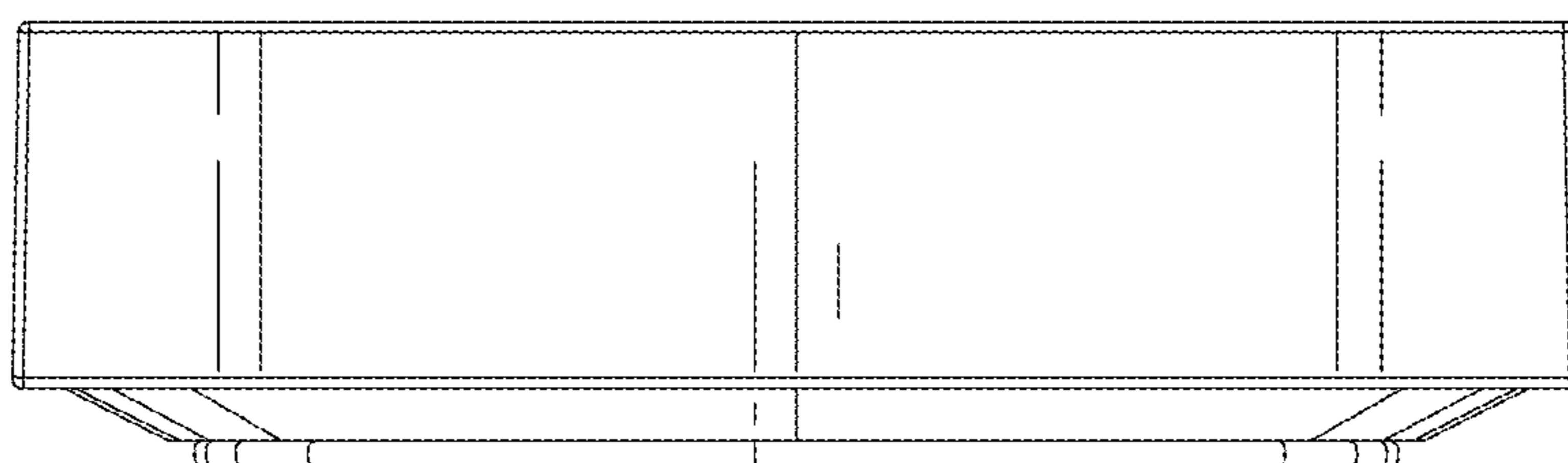


FIG. 8

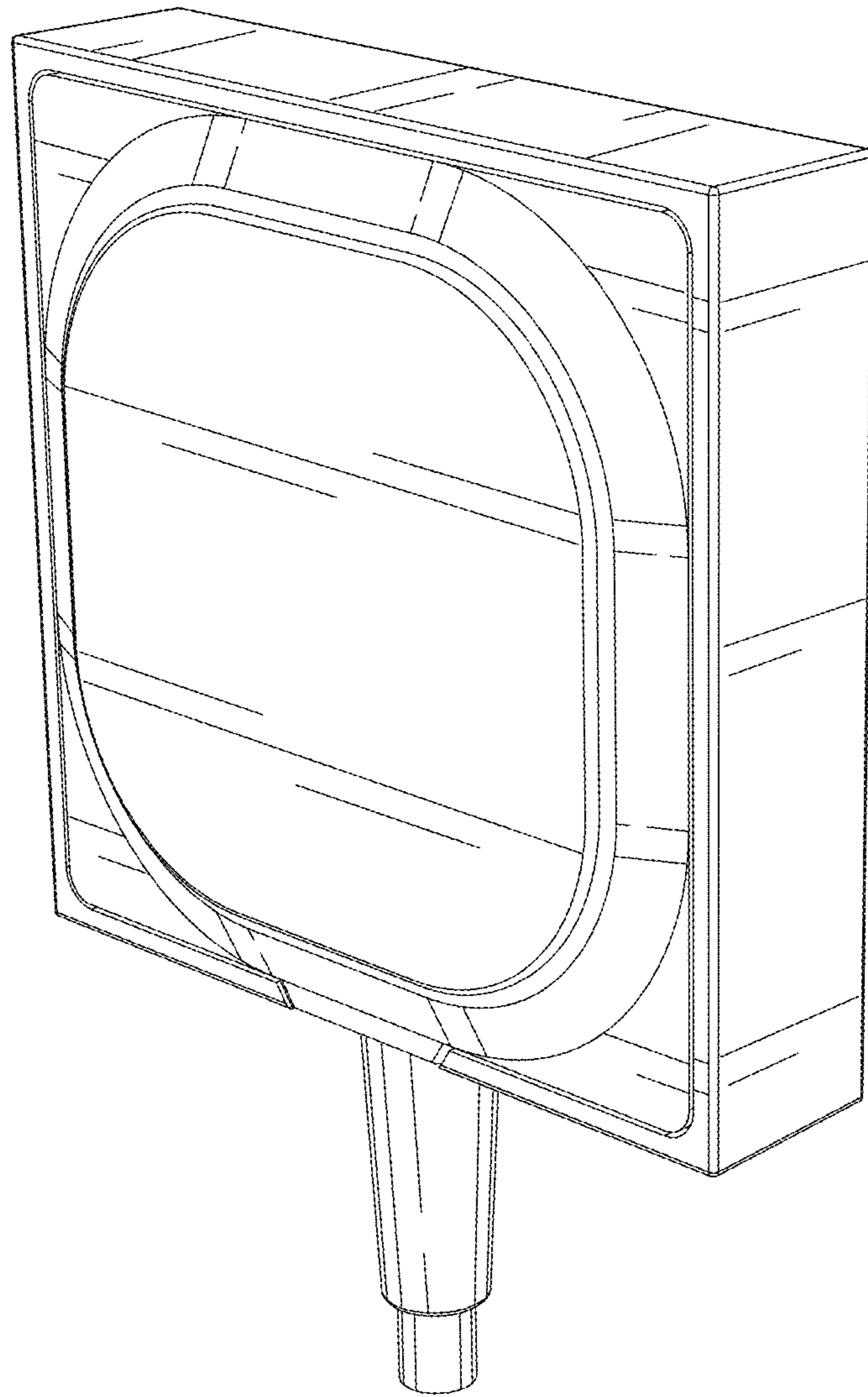


FIG. 9

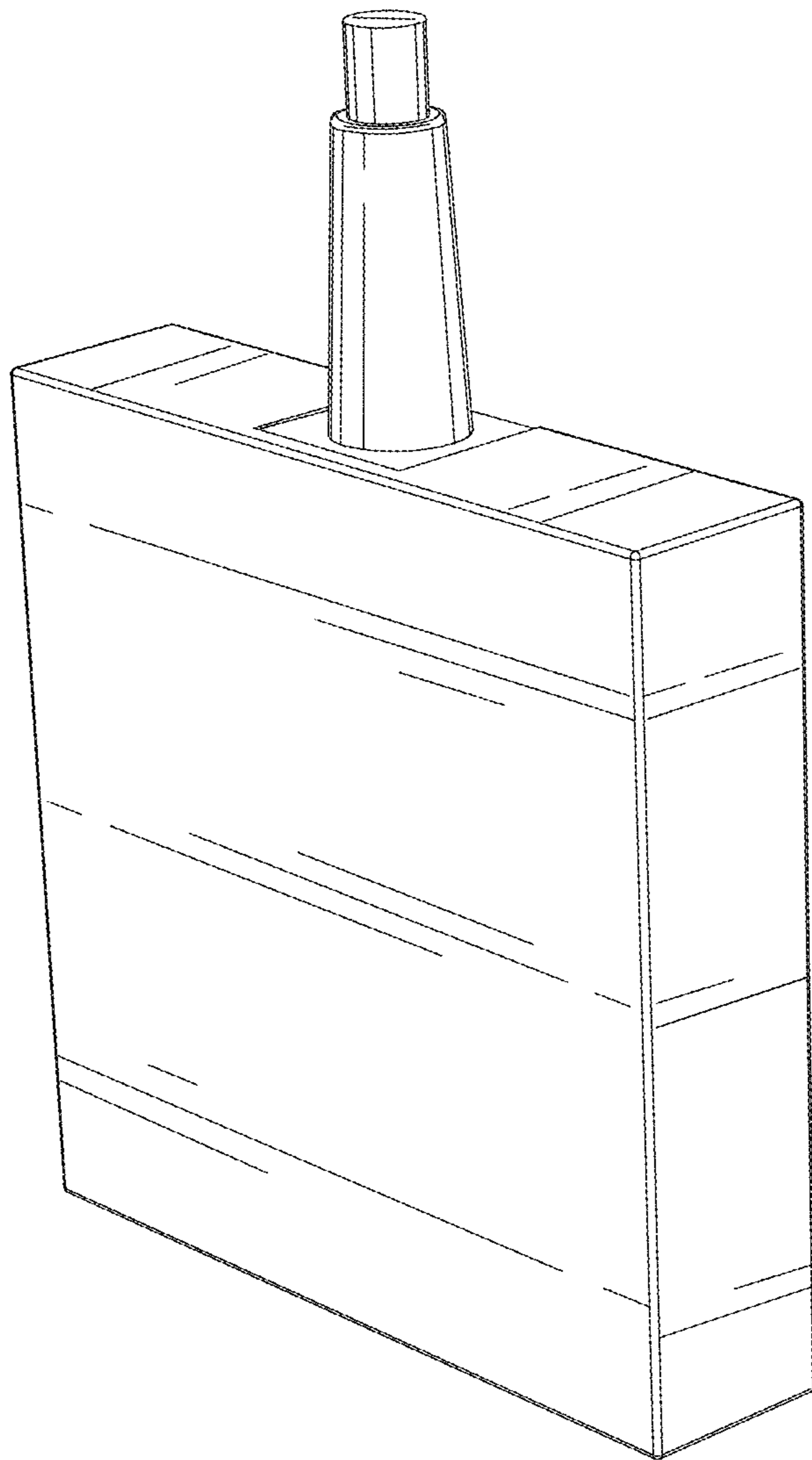


FIG. 10

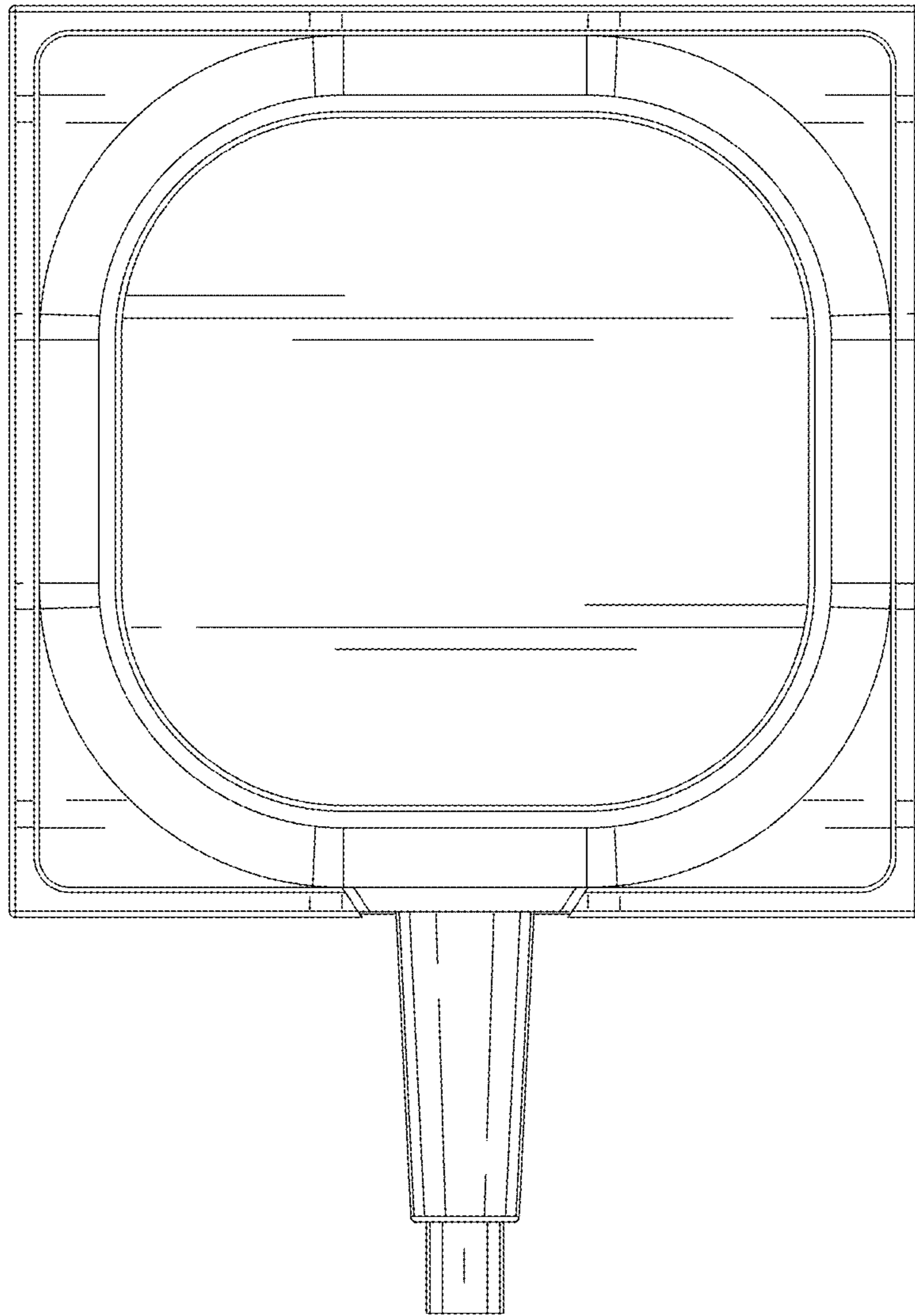


FIG. 11

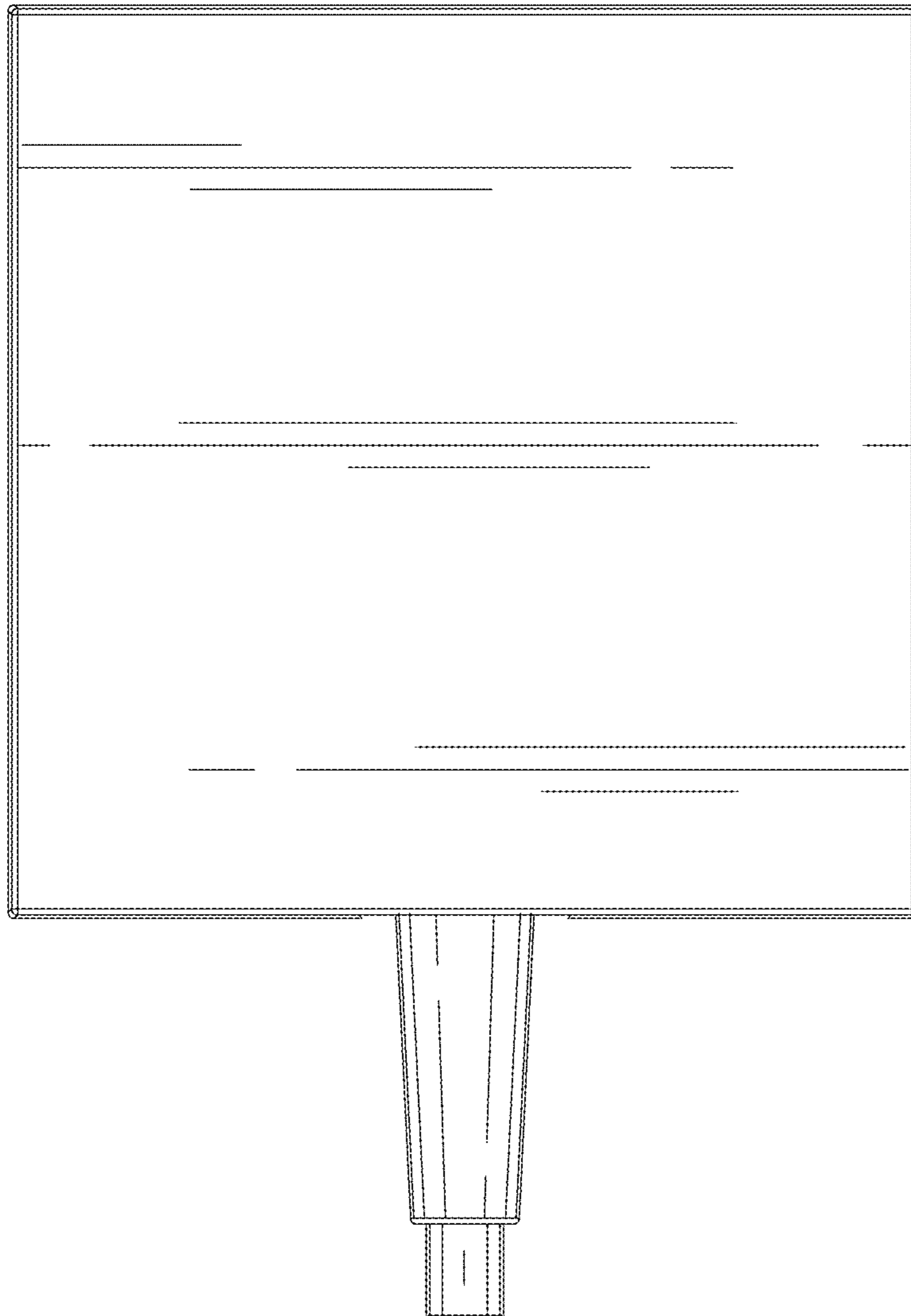


FIG. 12

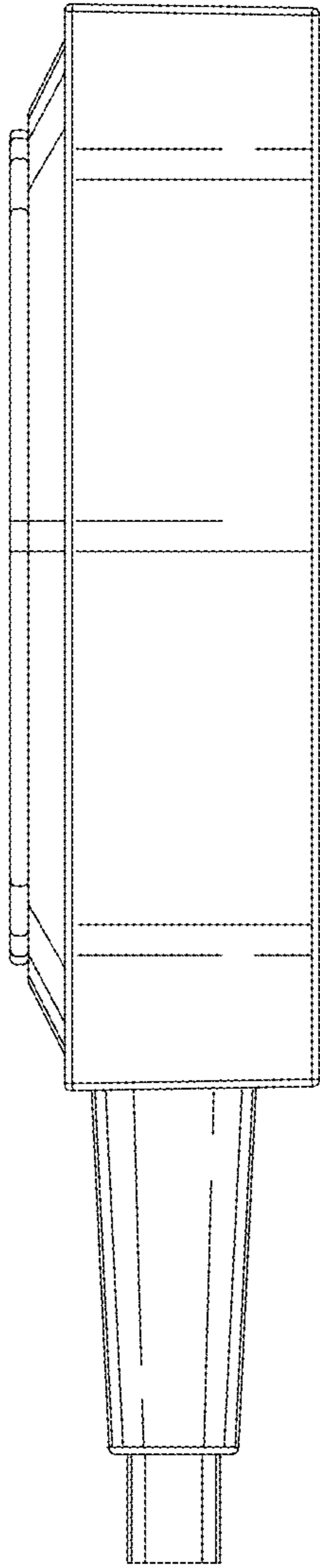


FIG. 13

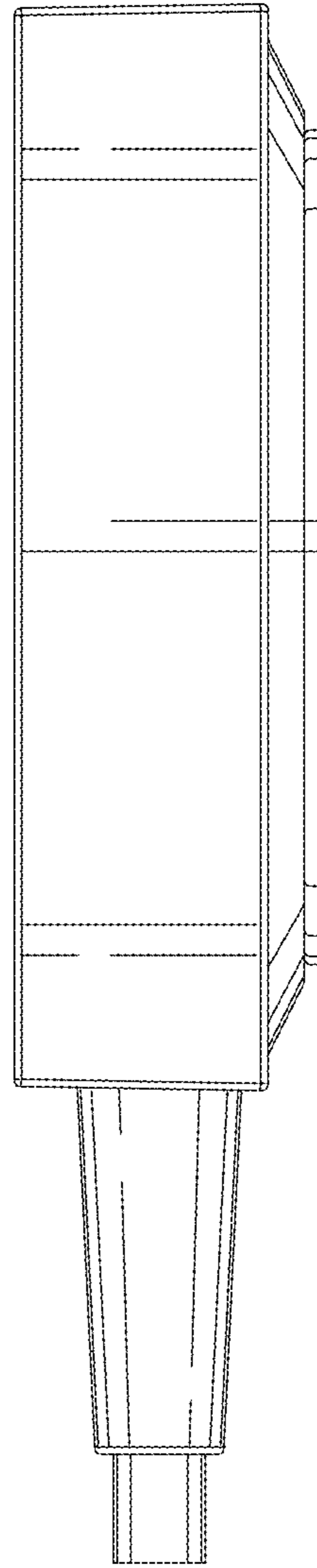


FIG. 14

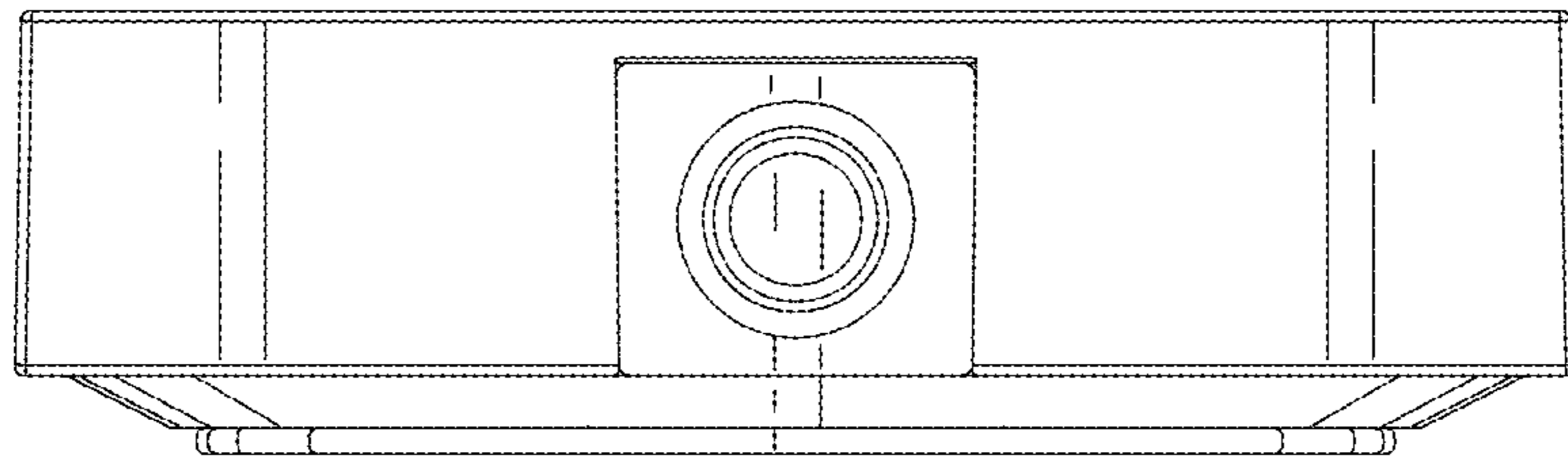


FIG. 15

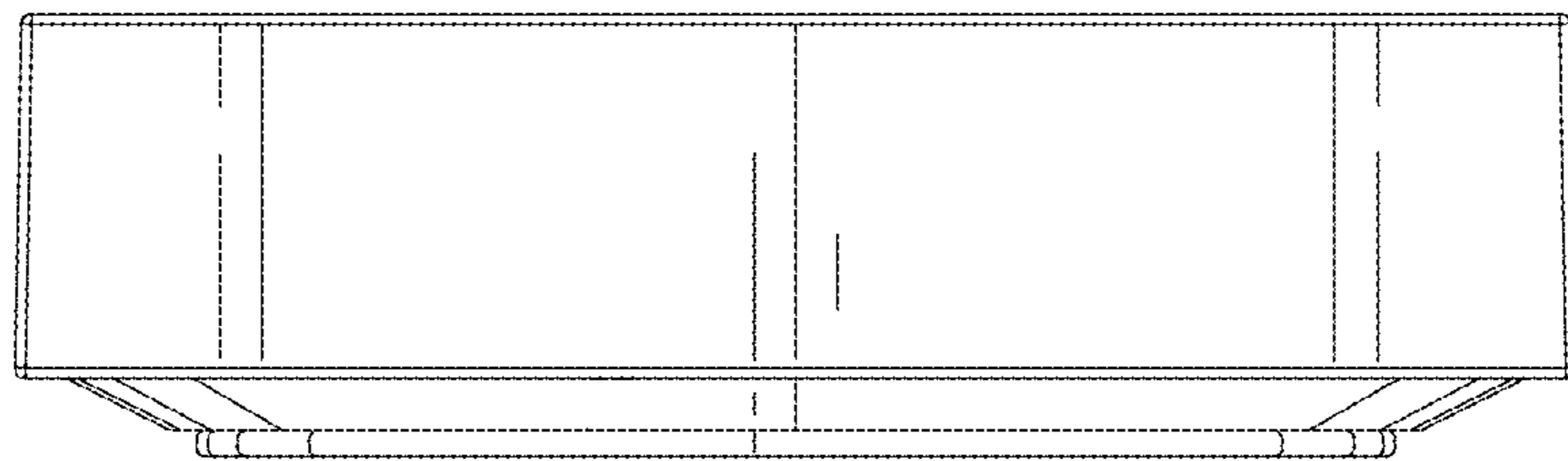


FIG. 16