



US00D687067S

(12) **United States Design Patent**
Jang et al.

(10) **Patent No.:** **US D687,067 S**
(45) **Date of Patent:** **** Jul. 30, 2013**

(54) **DISPLAY SCREEN PORTION WITH ICON**

(56) **References Cited**

(75) Inventors: **Chul-Ho Jang**, Seoul (KR); **Hyung-Joo Jin**, Seoul (KR)

U.S. PATENT DOCUMENTS

(73) Assignee: **Samsung Electronics Co., Ltd.**,
Suwon-si (KR)

D503,721	S	*	4/2005	Peter et al.	D14/489
D588,151	S	*	3/2009	Okada	D14/488
D609,244	S	*	2/2010	Seo	D14/488
7,755,643	B2	*	7/2010	Kramer et al.	345/619
D635,582	S	*	4/2011	Okumura et al.	D14/492
D644,242	S	*	8/2011	Matas	D14/489
D651,614	S	*	1/2012	Anzures	D14/492
D662,107	S	*	6/2012	Lee et al.	D14/486
D667,453	S	*	9/2012	Wujcik et al.	D14/492
D667,457	S	*	9/2012	Wujcik et al.	D14/492
2007/0226655	A1	*	9/2007	Shimizu	715/846

(**) Term: **14 Years**

* cited by examiner

(21) Appl. No.: **29/428,820**

(22) Filed: **Aug. 3, 2012**

Primary Examiner — Angela J Lee

(30) **Foreign Application Priority Data**

(74) *Attorney, Agent, or Firm* — NSIP Law

Mar. 29, 2012 (KR) 30-2012-0014994

(51) **LOC (9) Cl.** **14-04**

(57) **CLAIM**

The ornamental design for an display screen portion with icon, as shown and described.

(52) **U.S. Cl.**

DESCRIPTION

USPC **D14/492**

(58) **Field of Classification Search**

USPC D14/485–495; 715/700, 703, 706,
715/715, 716, 727, 728, 772, 776, 777, 779,
715/810, 825, 834, 835, 836, 837, 838, 839,
715/840, 845, 846, 847, 849, 856, 857, 858,
715/859, 860, 861, 862, 864, 963, 976, 977

FIG. 1 is a front view of an display screen portion with icon showing my new design; and, FIG. 2 is a front view of the display screen portion with icon of FIG. 1, in which a mobile terminal in broken lines is provided to illustrate an example environment. The broken line drawing of the mobile terminal, and the symbols and otherwise images shown in broken lines in FIG. 2 are for illustrative purposes only and form no part of the claimed design.

See application file for complete search history.

1 Claim, 2 Drawing Sheets

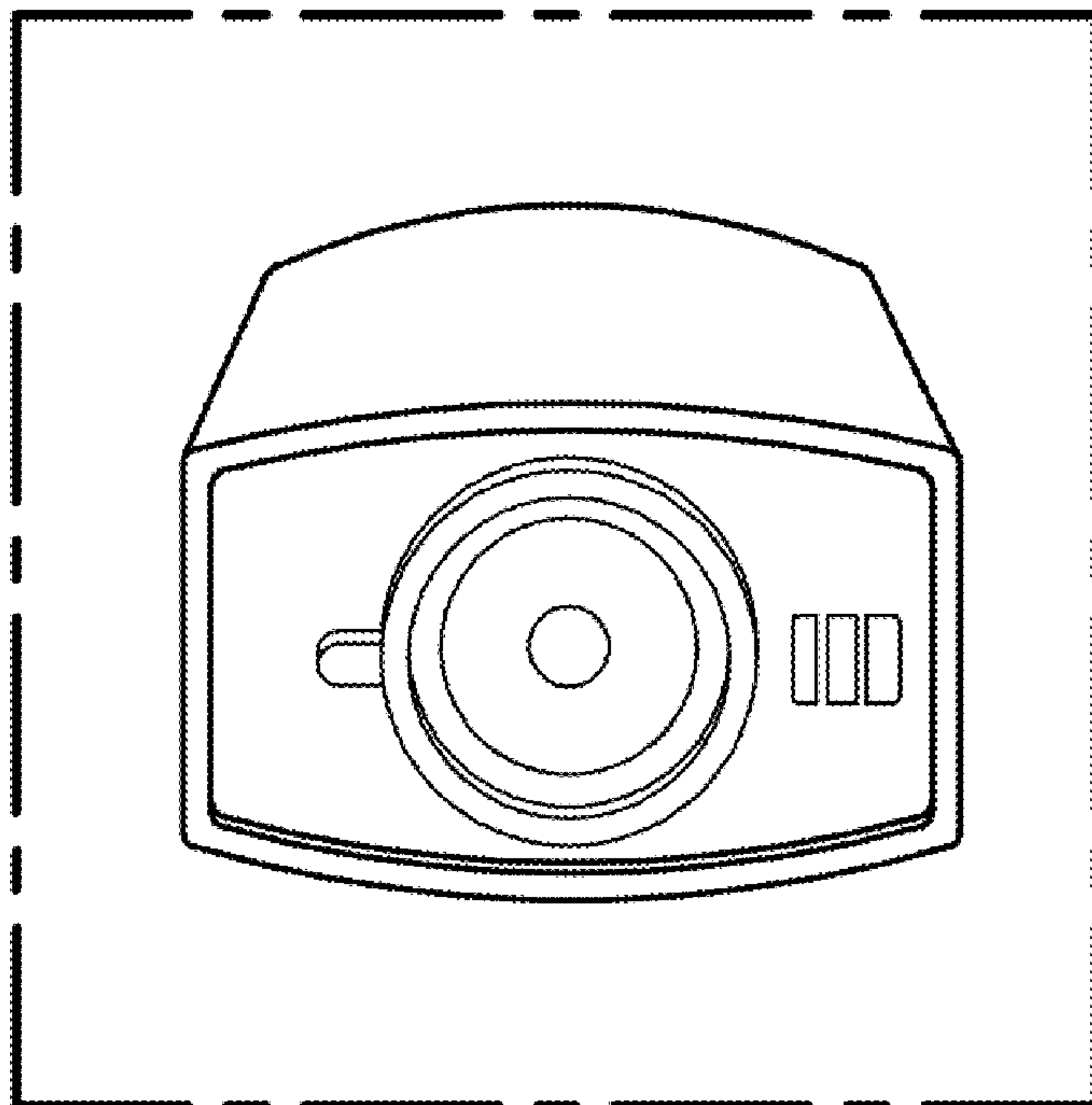


FIG. 1

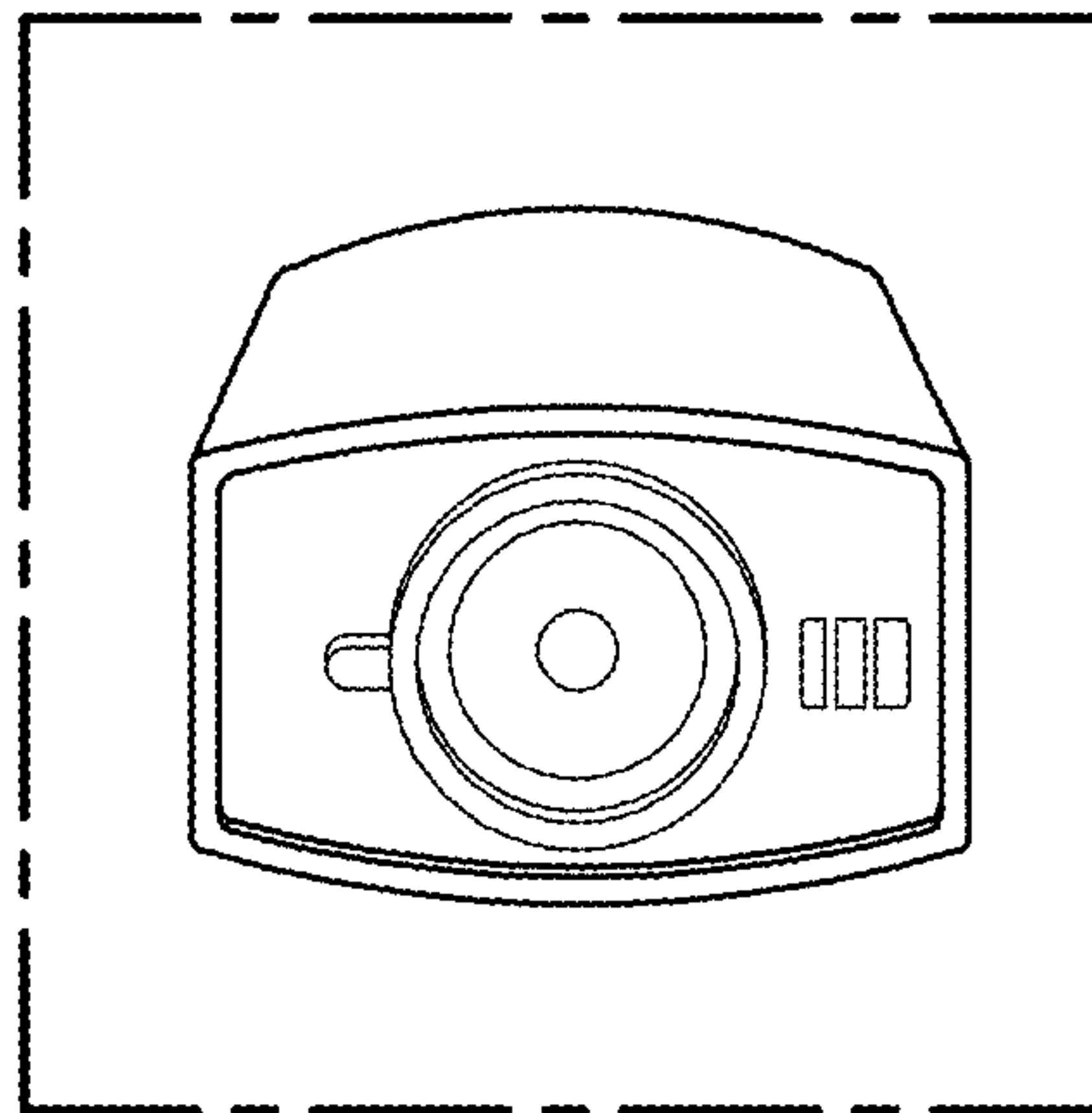


FIG. 2

