



US00D687063S

(12) **United States Design Patent**
Myung et al.

(10) **Patent No.:** **US D687,063 S**
(45) **Date of Patent:** **** Jul. 30, 2013**

(54) **DISPLAY SCREEN PORTION WITH ICON**

(56) **References Cited**

(75) Inventors: **Ji-Hye Myung**, Yongin-Si (KR);
Bong-Hee Kim, Seoul (KR); **So-Ra Kim**, Goyang-Si (KR)

(73) Assignee: **Samsung Electronics Co., Ltd.**,
Suwon-si (KR)

(**) Term: **14 Years**

(21) Appl. No.: **29/426,815**

(22) Filed: **Jul. 11, 2012**

(30) **Foreign Application Priority Data**

Jan. 19, 2012 (KR) 30-2012-0002908

(51) **LOC (9) Cl.** **14-04**

(52) **U.S. Cl.**
USPC **D14/489**

(58) **Field of Classification Search**
USPC D14/485-495; 715/700, 703, 706,
715/715, 716, 727, 728, 772, 776, 777, 779,
715/810, 825, 834, 835, 836, 837, 838, 839,
715/840, 845, 846, 847, 849, 856, 857, 858,
715/859, 860, 861, 862, 864, 963, 976, 977

See application file for complete search history.

U.S. PATENT DOCUMENTS

D390,214	S	*	2/1998	Miller	D14/492
D604,308	S	*	11/2009	Takano	D14/486
D616,462	S	*	5/2010	Loken et al.	D14/492
D637,196	S	*	5/2011	Ray et al.	D14/486
D644,242	S	*	8/2011	Matas	D14/489
D646,696	S	*	10/2011	Loken et al.	D14/492
2005/0262451	A1	*	11/2005	Remignanti et al.	715/833
2012/0159370	A1	*	6/2012	Rode et al.	715/772
2012/0254757	A1	*	10/2012	Iriya et al.	715/716

FOREIGN PATENT DOCUMENTS

EM	001260624-0032	*	2/2011	
----	----------------	---	--------	--

* cited by examiner

Primary Examiner — Angela J Lee
(74) *Attorney, Agent, or Firm* — NSIP Law

(57) **CLAIM**
The ornamental design for an display screen portion with icon, as shown and described.

DESCRIPTION

FIG. 1 is a front view of an display screen portion with icon showing my new design; and, FIG. 2 is a front view of the display screen portion with icon of FIG. 1, in which a mobile terminal in broken lines is provided to illustrate an example environment. The broken line drawing of the mobile terminal, and the numbers, symbols and otherwise images shown in broken lines in FIG. 2 are for illustrative purposes only and form no part of the claimed design.

1 Claim, 2 Drawing Sheets

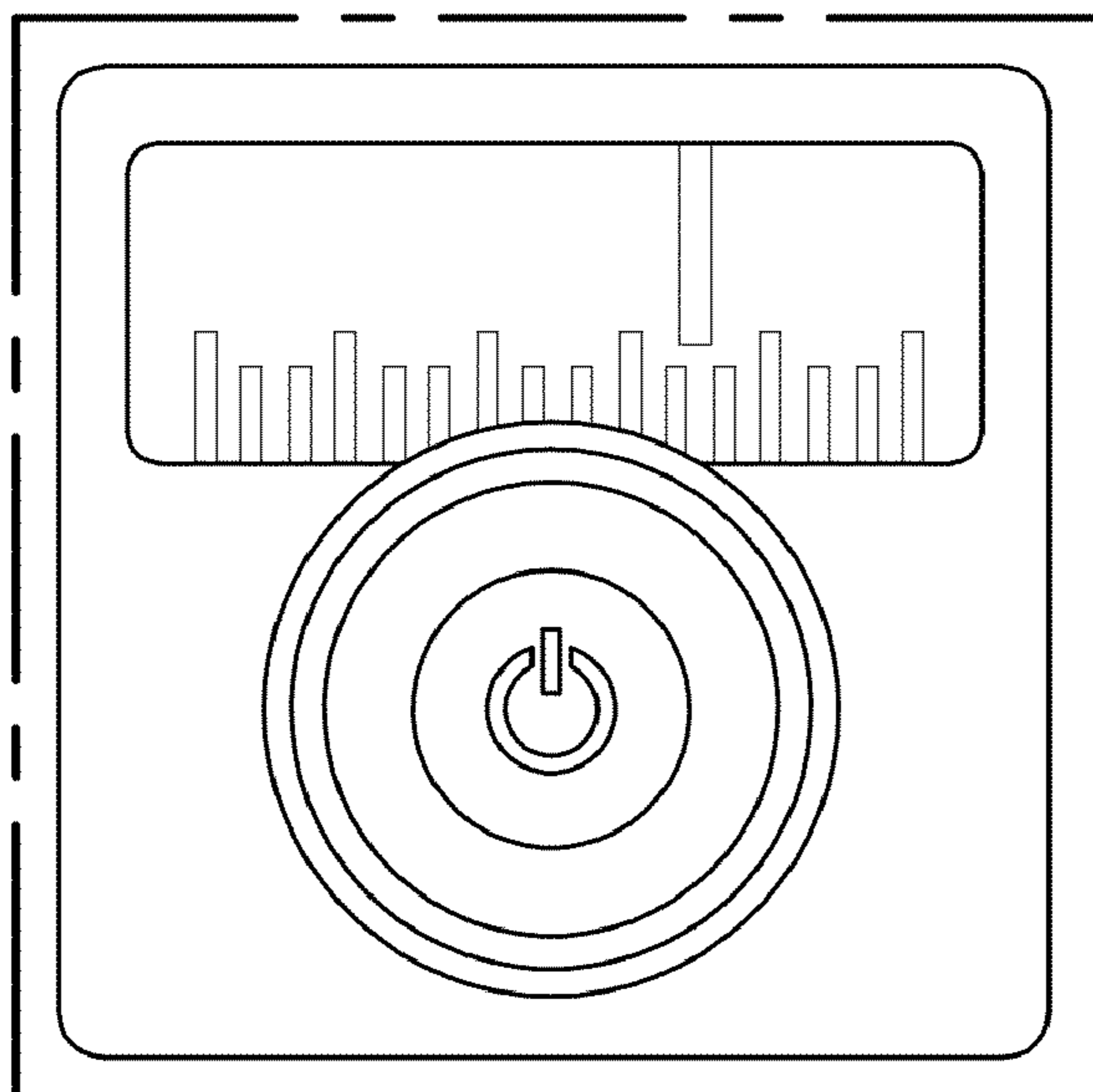


FIG. 1

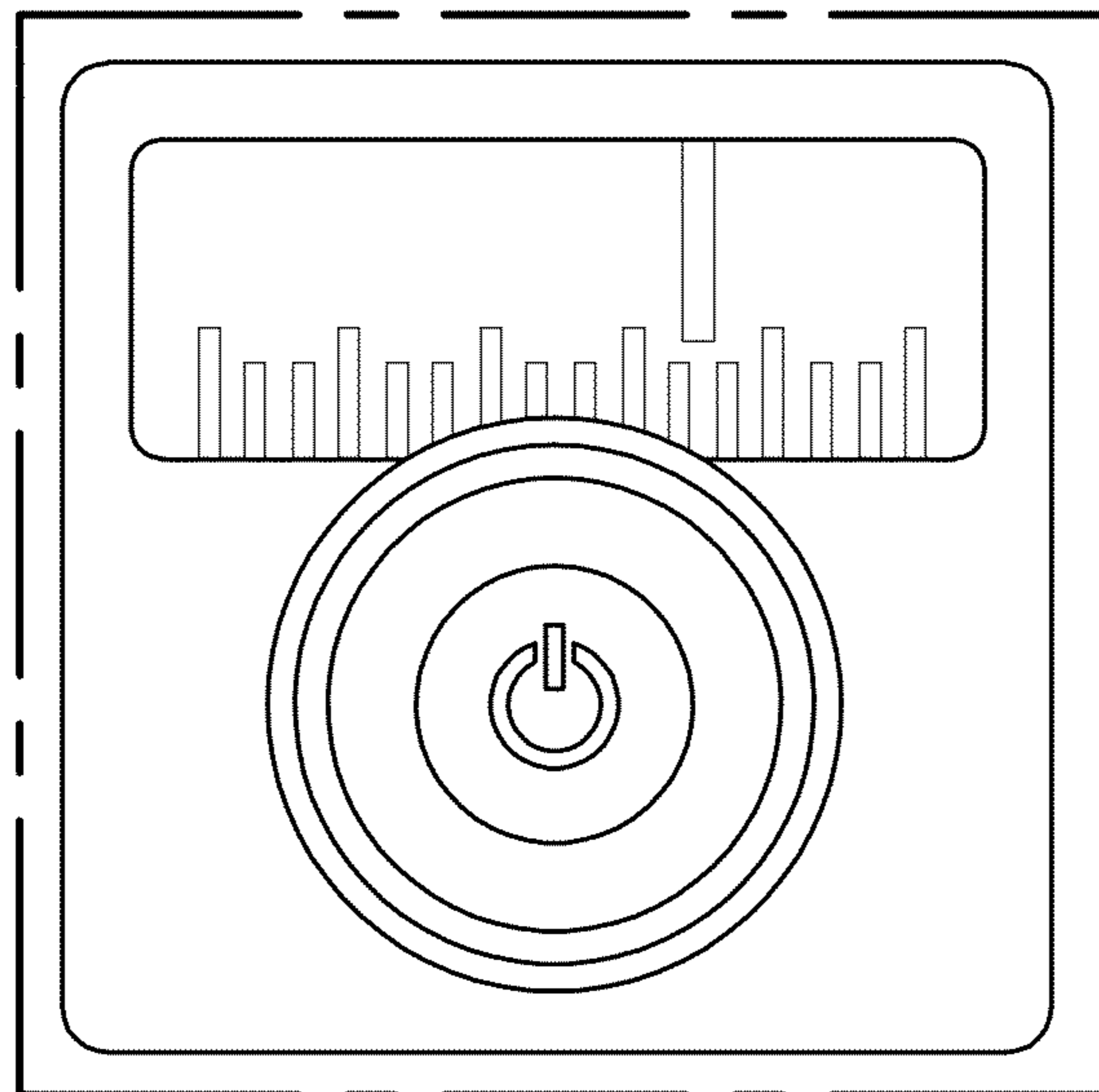


FIG. 2

