



US00D687062S

(12) **United States Design Patent**
Gardner et al.

(10) **Patent No.:** **US D687,062 S**
(45) **Date of Patent:** **** Jul. 30, 2013**

(54) **DISPLAY SCREEN WITH ANIMATED ICON**

(75) Inventors: **David Gardner**, Covington, WA (US);
Neil Cueto, Lynnwood, WA (US)

(73) Assignee: **Microsoft Corporation**, Redmond, WA
(US)

(**) Term: **14 Years**

(21) Appl. No.: **29/423,663**

(22) Filed: **Jun. 4, 2012**

(51) **LOC (9) Cl.** **14-04**

(52) **U.S. Cl.**
USPC **D14/489**

(58) **Field of Classification Search**
USPC D14/485-495; 715/700, 703, 706,
715/715, 716, 727, 728, 772, 776, 777, 779,
715/810, 825, 834, 835, 836, 837, 838, 839,
715/840, 845, 846, 847, 849, 856, 857, 858,
715/859, 860, 861, 862, 864, 963, 976, 977;
D8/334; D18/29-32

See application file for complete search history.

(56) **References Cited**

U.S. PATENT DOCUMENTS

D451,536 S *	12/2001	Cornille	D18/27
D454,138 S *	3/2002	Imamura et al.	D14/486
D553,148 S *	10/2007	Niijima	D14/491
D566,716 S *	4/2008	Rasmussen et al.	D14/486
7,536,653 B2 *	5/2009	Badovinac et al.	715/810
D642,195 S *	7/2011	Marks et al.	D14/490
D650,793 S	12/2011	Impas et al.		
D650,796 S	12/2011	Rincover et al.		
D650,799 S *	12/2011	Wantland et al.	D14/493
D650,800 S *	12/2011	Impas et al.	D14/493

D650,807 S *	12/2011	Impas et al.	D14/495
D651,612 S *	1/2012	Impas et al.	D14/489
D651,615 S *	1/2012	Koehn	D14/493
D652,053 S *	1/2012	Impas et al.	D14/489
8,122,384 B2 *	2/2012	Partridge et al.	715/863
D661,704 S *	6/2012	Rasmussen	D14/489
8,219,936 B2 *	7/2012	Kim et al.	715/862
D665,423 S	8/2012	Impas et al.		
D673,580 S *	1/2013	Doerr	D14/489
2006/0184966 A1 *	8/2006	Hunleth et al.	725/39
2011/0015798 A1 *	1/2011	Golden et al.	700/291

* cited by examiner

Primary Examiner — Angela J Lee

(74) *Attorney, Agent, or Firm* — Banner & Witcoff, Ltd.

(57) **CLAIM**

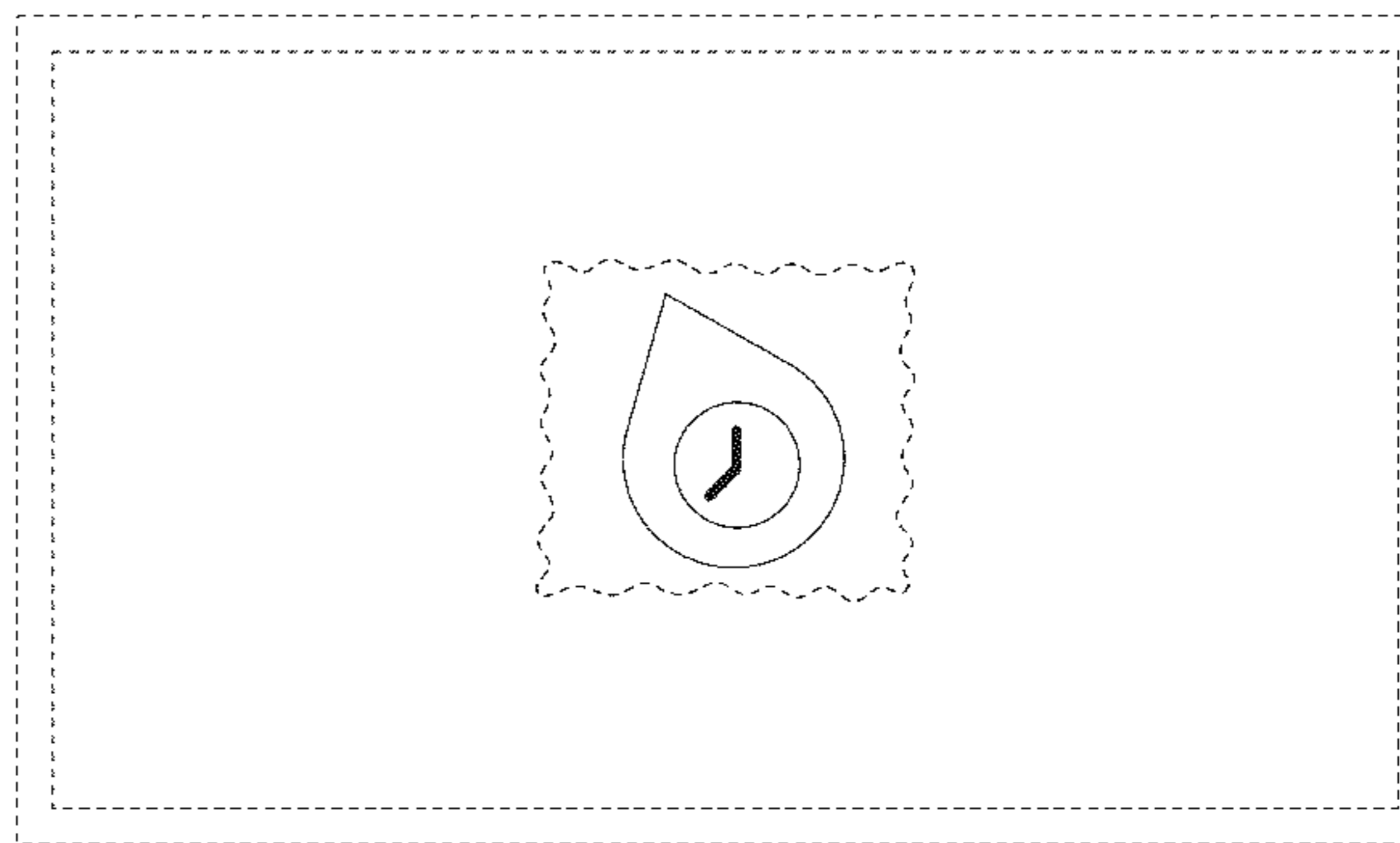
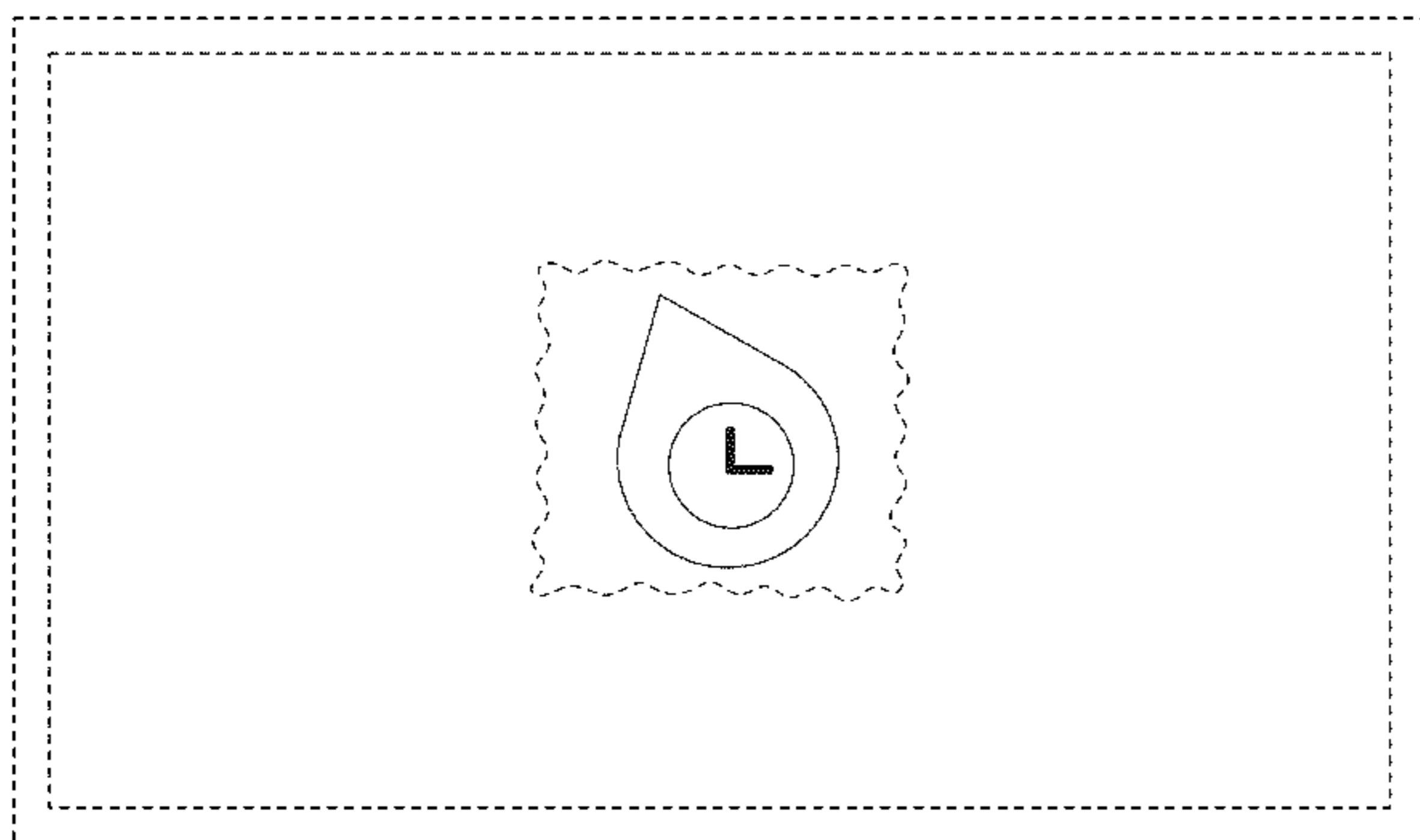
The ornamental design for a display screen with animated icon, as shown and described.

DESCRIPTION

FIG. 1 is the first image in a sequence for a display screen with animated icon showing the new design; FIG. 2 is the second image thereof; FIG. 3 is the third image thereof; FIG. 4 is the fourth image thereof; FIG. 5 is the fifth image thereof; FIG. 6 is the sixth image thereof; and, FIG. 7 is the seventh image thereof.

The appearance of the animated user interface sequentially transitions between the images shown in FIGS. 1-7. The process or period in which one image transitions to another forms no part of the claimed design. The broken line showing of the remainder of the user interface and display screen is for environmental purposes only and forms no part of the claimed design.

1 Claim, 7 Drawing Sheets



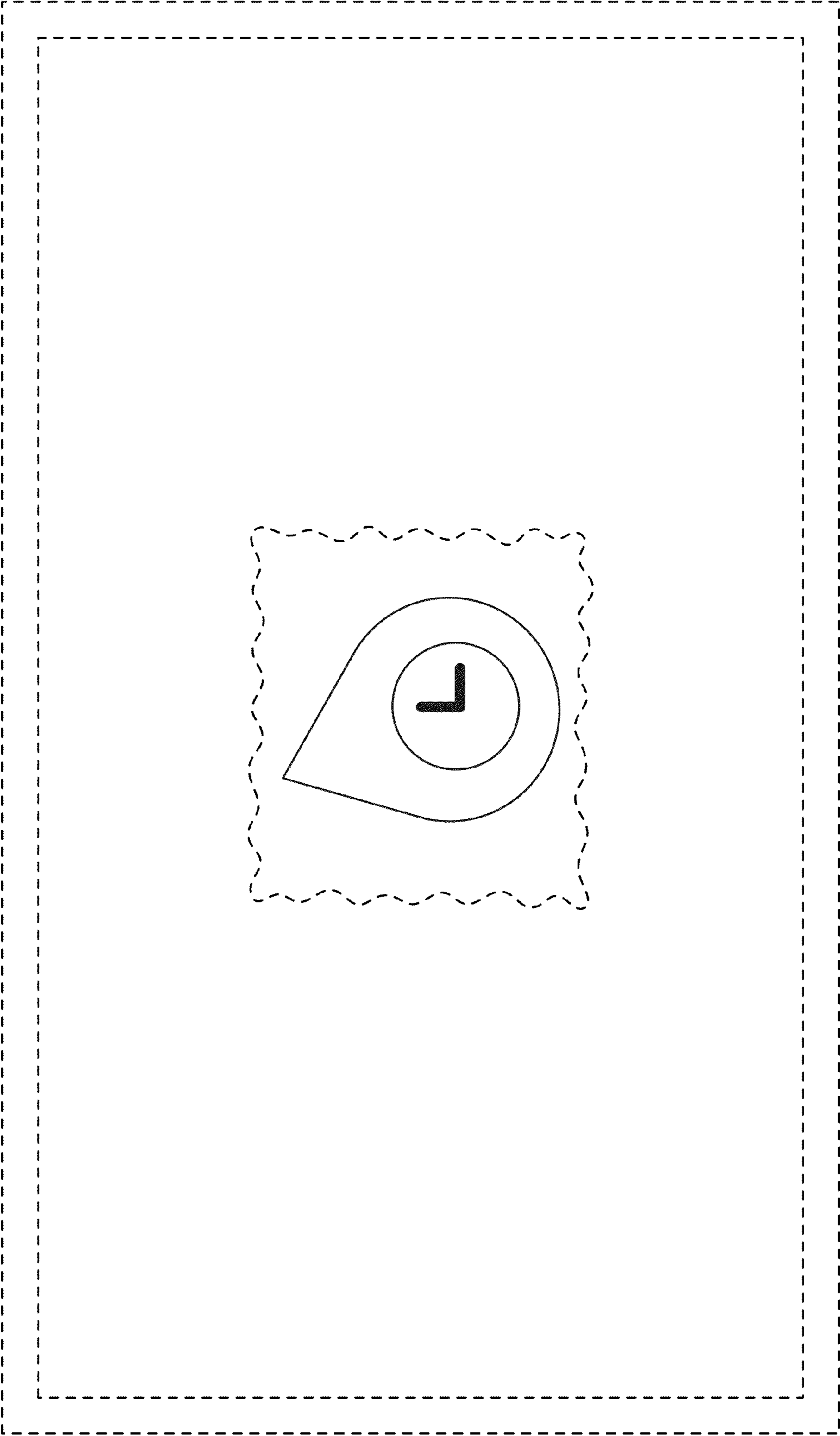


FIG. 1

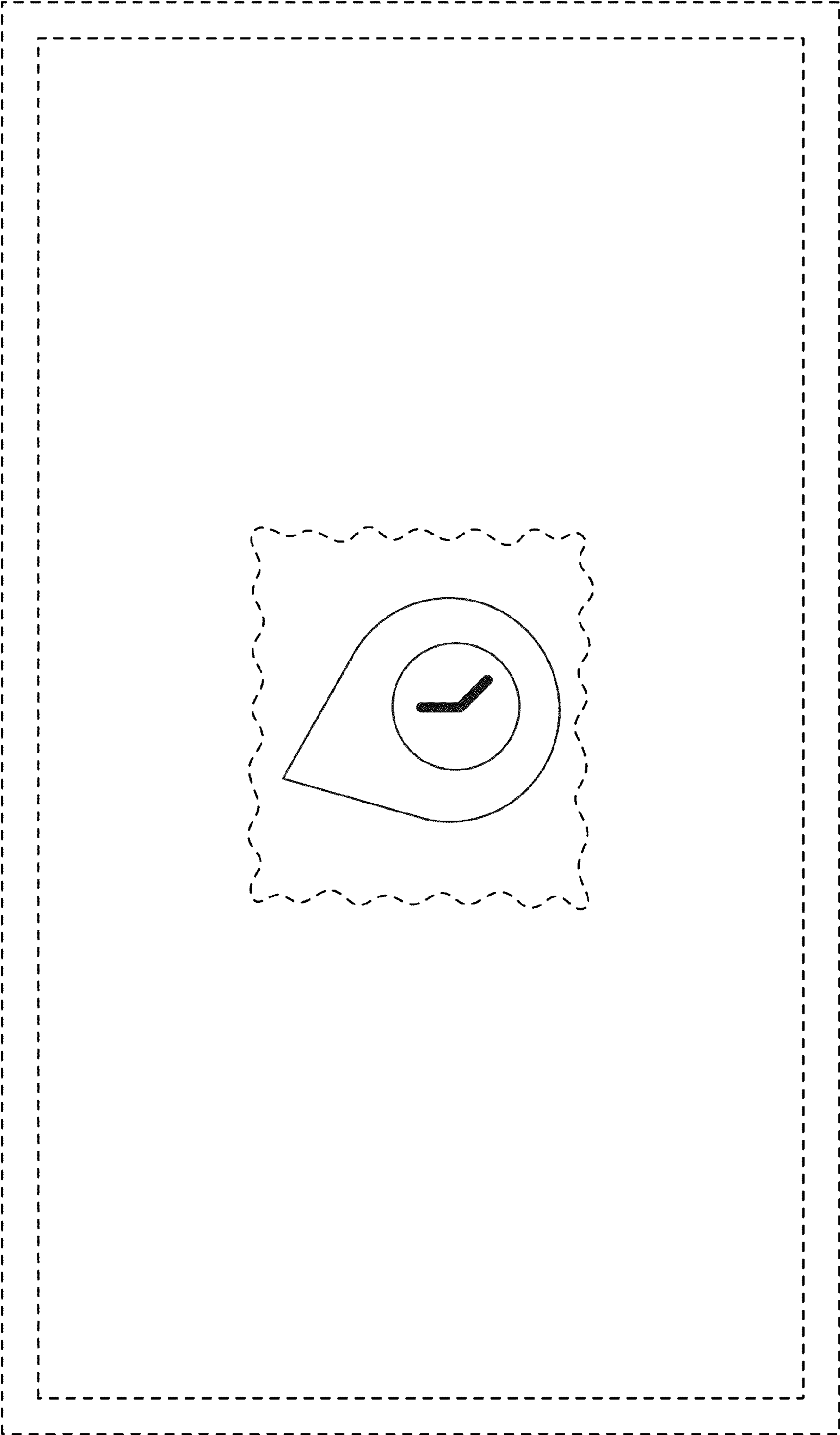


FIG. 2

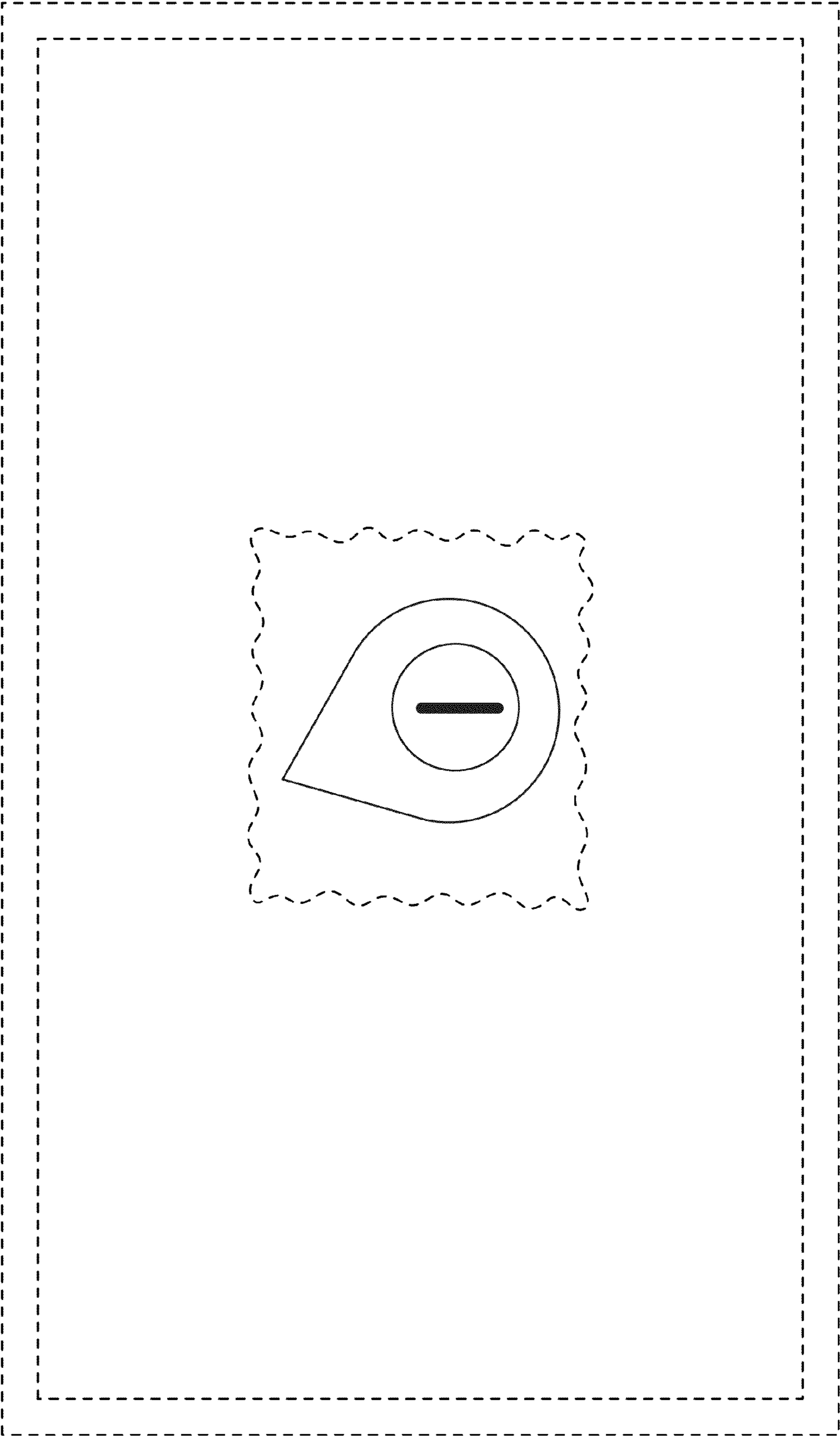


FIG. 3

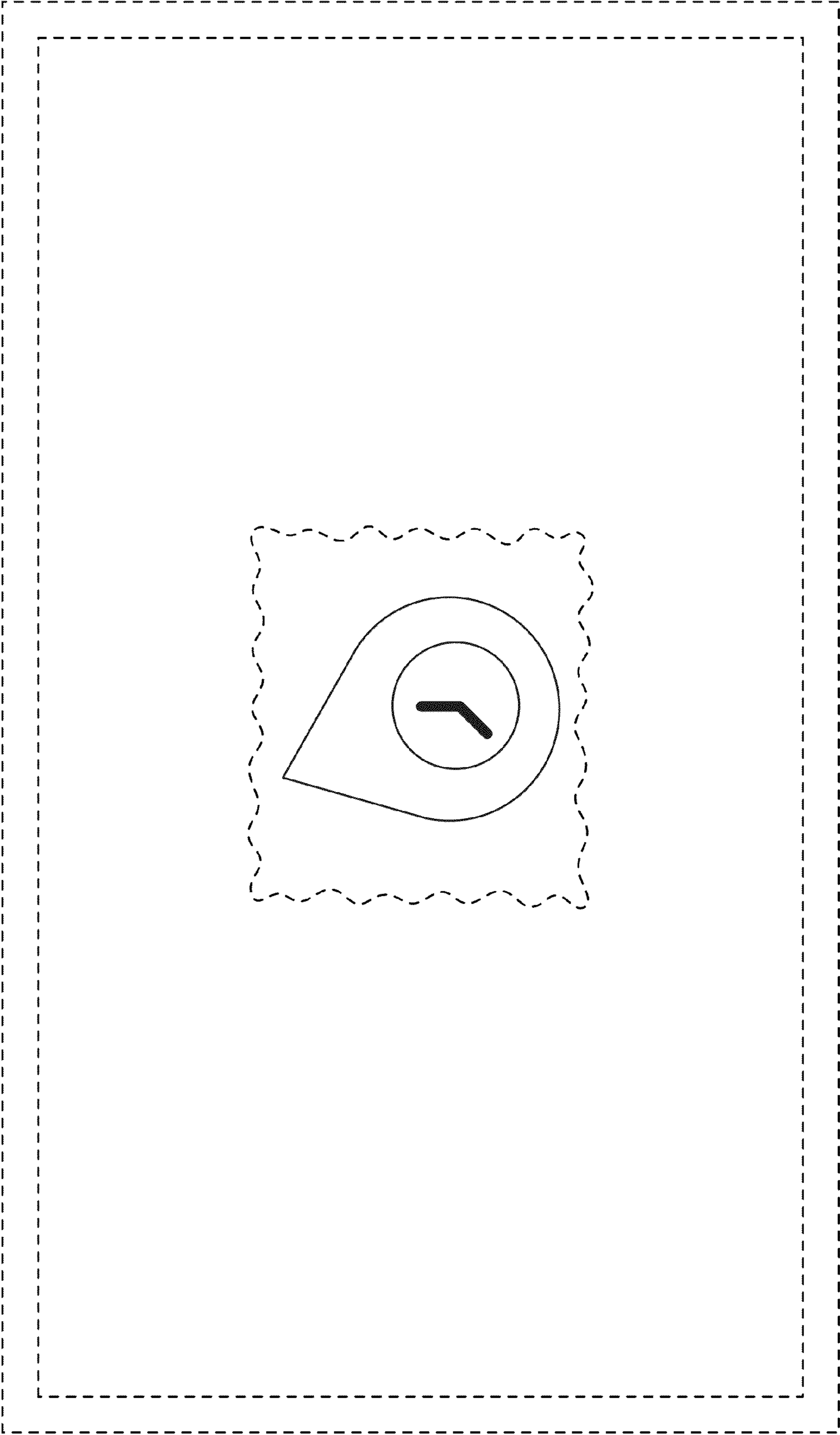


FIG. 4

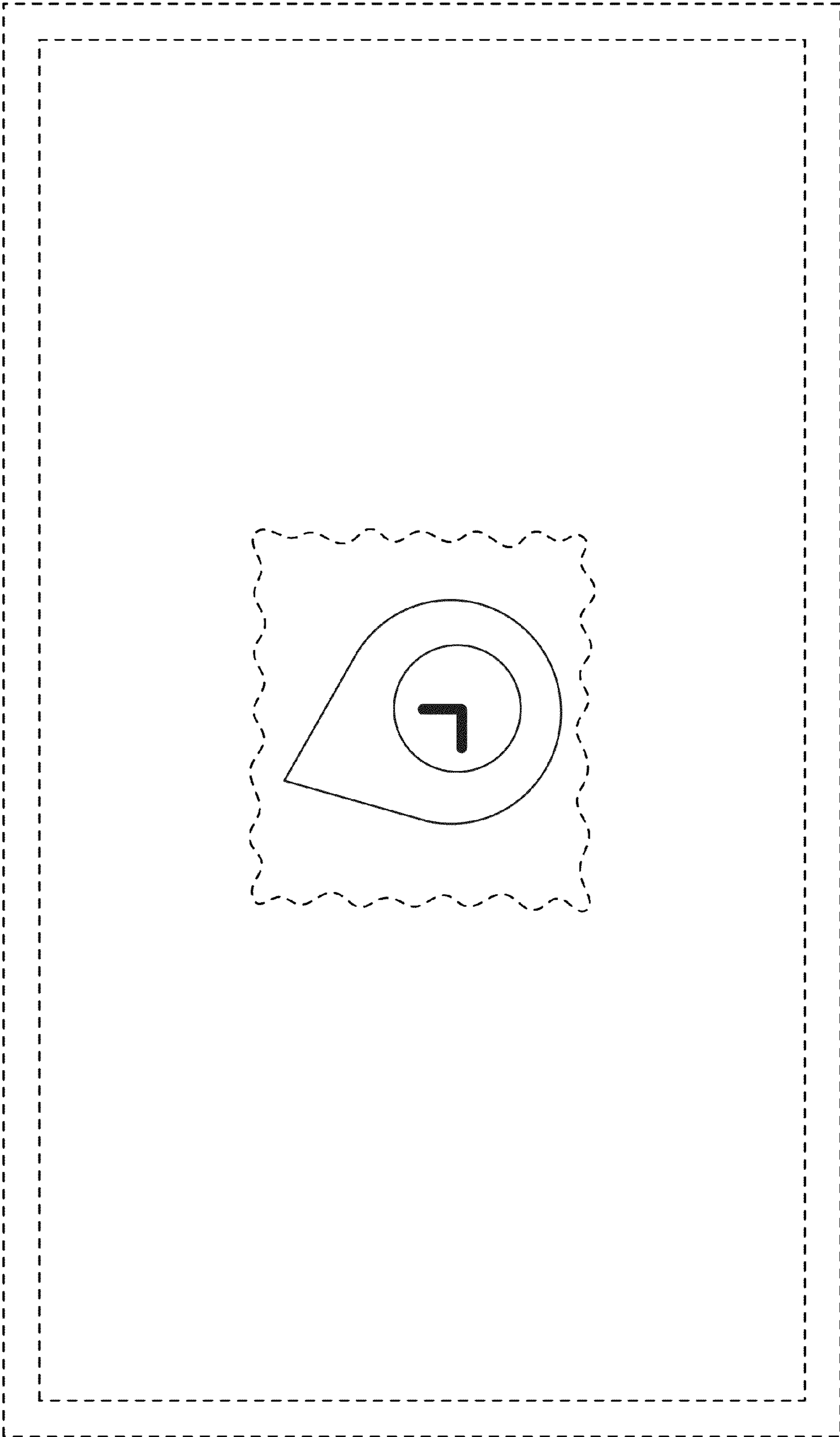


FIG. 5

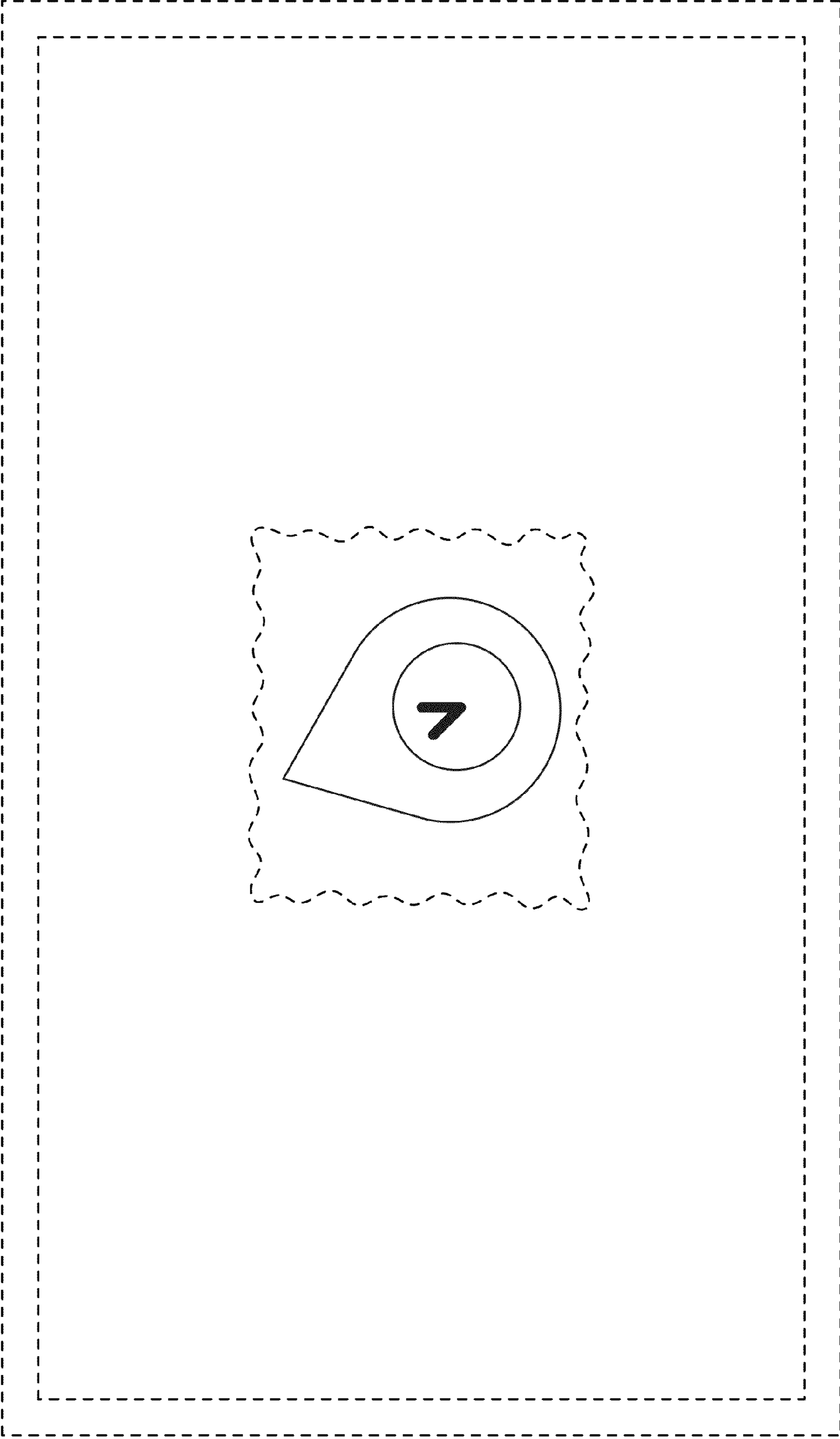


FIG. 6

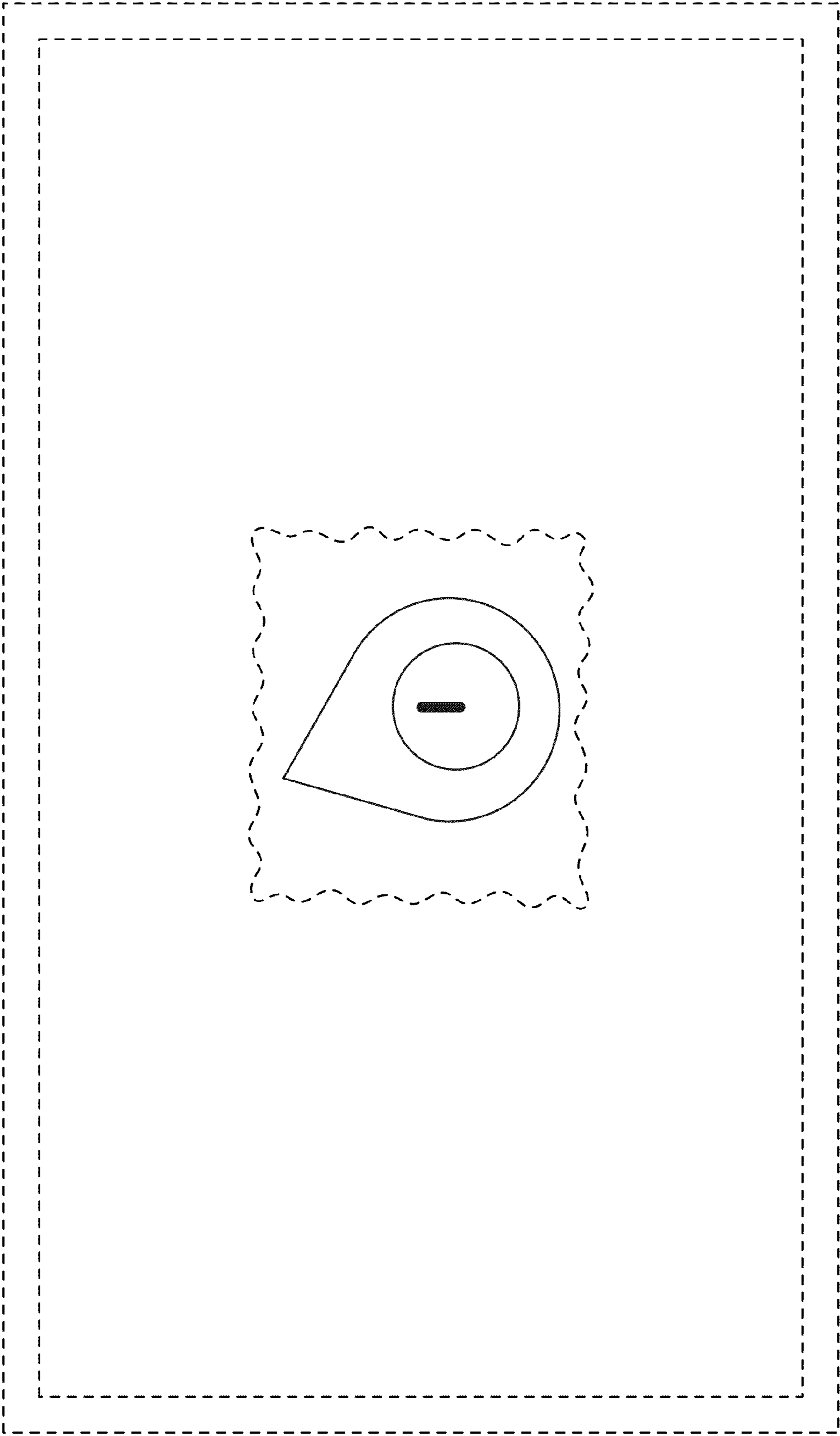


FIG. 7