



US00D687060S

(12) **United States Design Patent**
Daniel

(10) **Patent No.:** **US D687,060 S**
(45) **Date of Patent:** **** Jul. 30, 2013**

(54) **DISPLAY SCREEN WITH COMPUTER ICON**

(76) Inventor: **Isaac S. Daniel**, Miramar, FL (US)

(**) Term: **14 Years**

(21) Appl. No.: **29/402,350**

(22) Filed: **Sep. 22, 2011**

(51) **LOC (9) Cl.** **14-04**

(52) **U.S. Cl.**
USPC **D14/489**

(58) **Field of Classification Search**
USPC D14/485-495; 715/773, 753, 810,
715/769, 779, 766, 274, 751, 752, 740, 837,
715/786, 785; 709/203, 217
See application file for complete search history.

(56) **References Cited**

U.S. PATENT DOCUMENTS

D388,425 S *	12/1997	Newton et al.	D14/488
D390,548 S *	2/1998	Maekawa et al.	D14/488
D440,514 S *	4/2001	Gruosi	D10/125
D452,692 S *	1/2002	Fukuda	D14/489
D469,104 S *	1/2003	Istvan et al.	D14/486
D482,041 S *	11/2003	Peters	D14/492
D497,617 S *	10/2004	Decombe et al.	D14/486
6,857,106 B1 *	2/2005	Brouaux	715/837
D527,668 S *	9/2006	Calvani	D10/126
D542,301 S *	5/2007	Harvey	D14/489
D547,767 S *	7/2007	Jewitt	D14/492
D562,845 S *	2/2008	Armstrong et al.	D14/490
D574,260 S *	8/2008	Grotell et al.	D10/30

D588,154 S *	3/2009	Bouchard et al.	D14/489
D589,792 S *	4/2009	Clabough et al.	D9/434
D593,122 S *	5/2009	Danton	D14/489
D595,732 S *	7/2009	Chaudhri et al.	D14/492
D599,378 S *	9/2009	Mays	D14/492
D601,165 S *	9/2009	Truelove et al.	D14/491
D607,010 S *	12/2009	Kocmick	D14/491
D613,750 S *	4/2010	Truelove et al.	D14/492
D621,415 S *	8/2010	Umezawa	D14/492
D626,137 S *	10/2010	McLaughlin et al.	D14/486
D637,197 S *	5/2011	Ray et al.	D14/486
D649,159 S *	11/2011	Viggers et al.	D14/492
D649,976 S *	12/2011	Loken	D14/492
D650,796 S *	12/2011	Rincover et al.	D14/492
D659,711 S *	5/2012	Guss et al.	D14/495

* cited by examiner

Primary Examiner — Kevin Rudzinski

(74) *Attorney, Agent, or Firm* — Carol N. Green

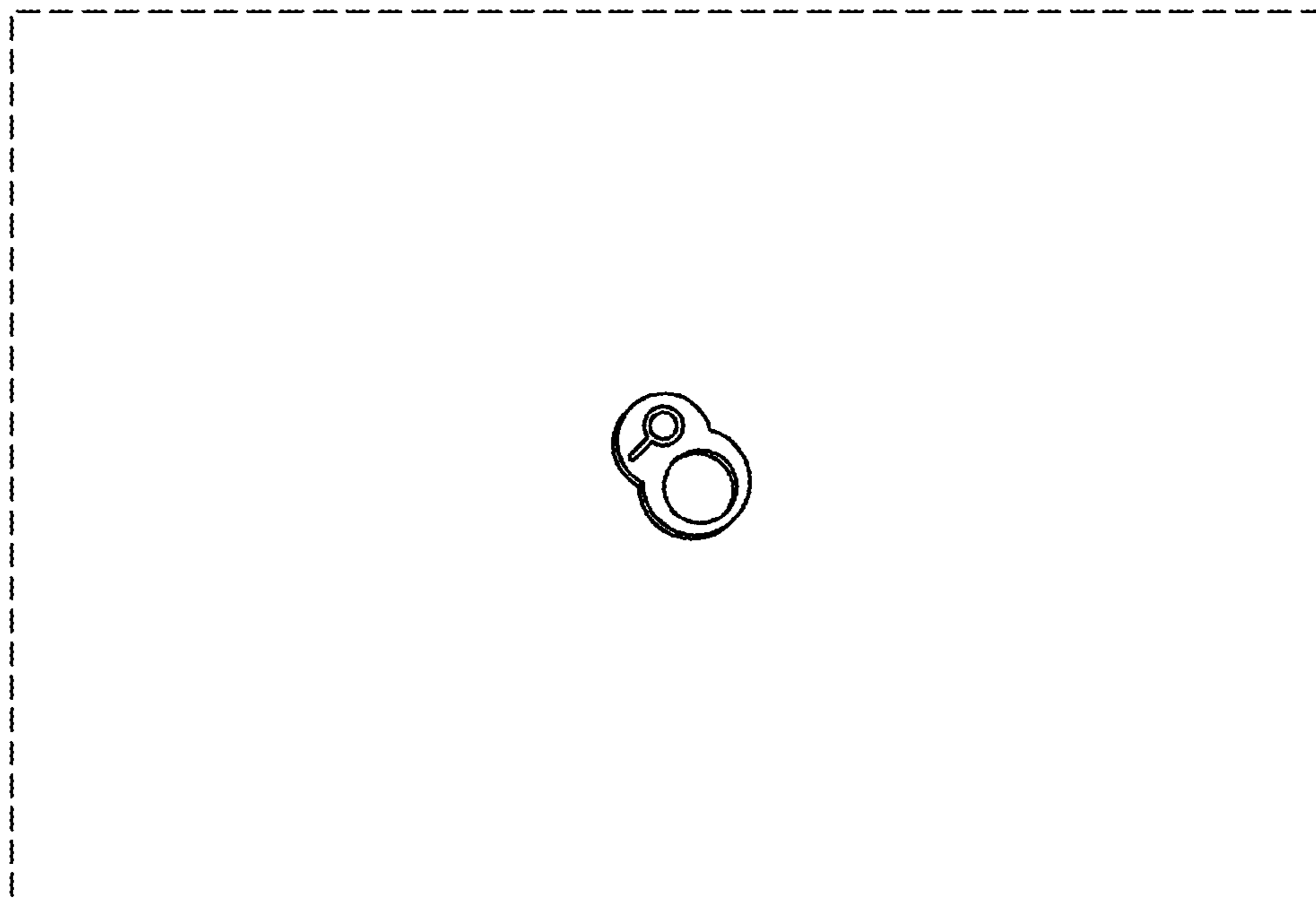
(57) **CLAIM**

The ornamental design for a display screen with computer icon, as shown and described.

DESCRIPTION

FIG. 1 is a front view of a display screen with computer icon. FIG. 2 is a perspective view of the display screen with computer icon; and, FIG. 3 is a second perspective view of the display screen with computer icon. The broken lines showing the display screen in the drawings form no part of the claimed design.

1 Claim, 2 Drawing Sheets



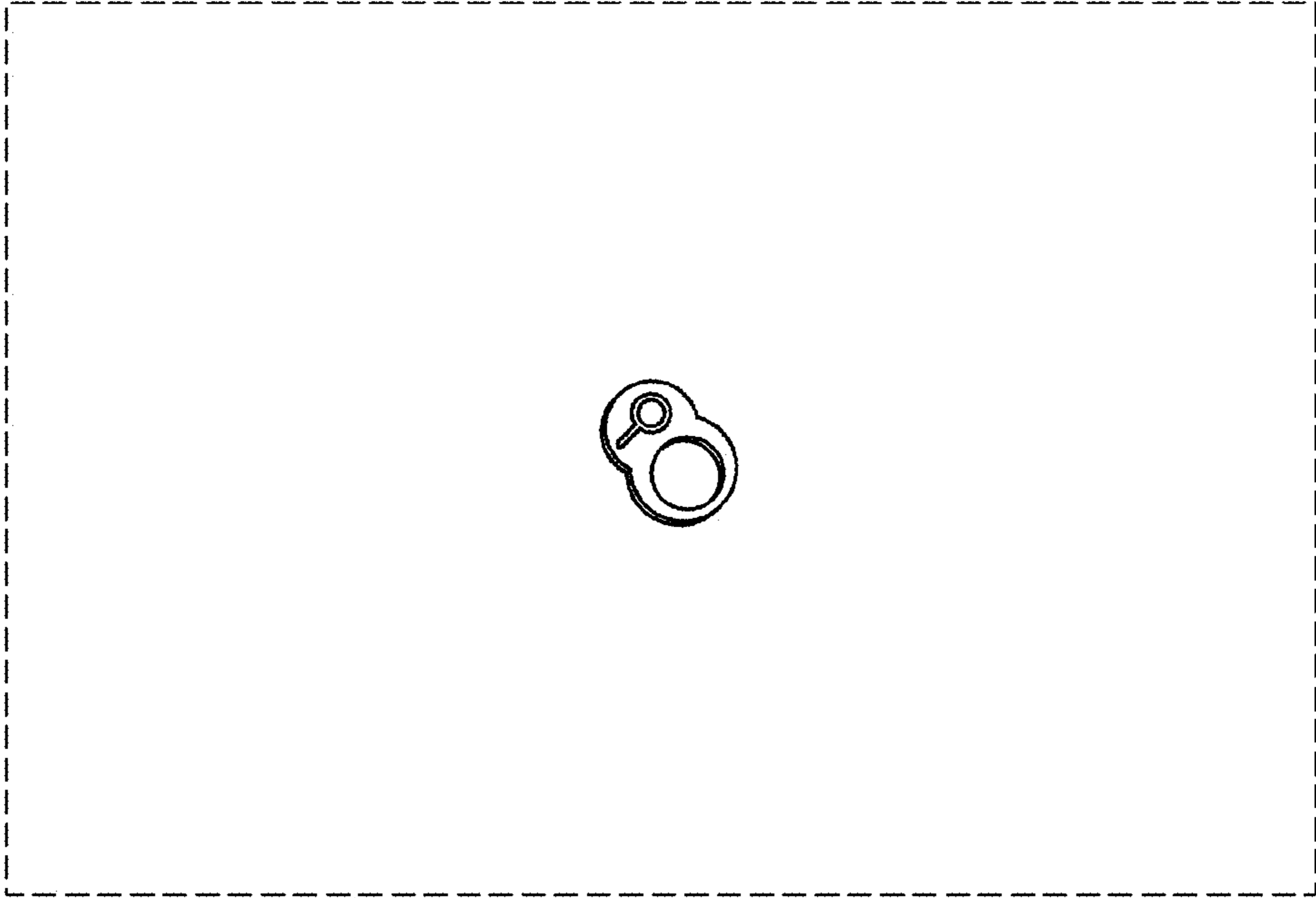


FIG. 1

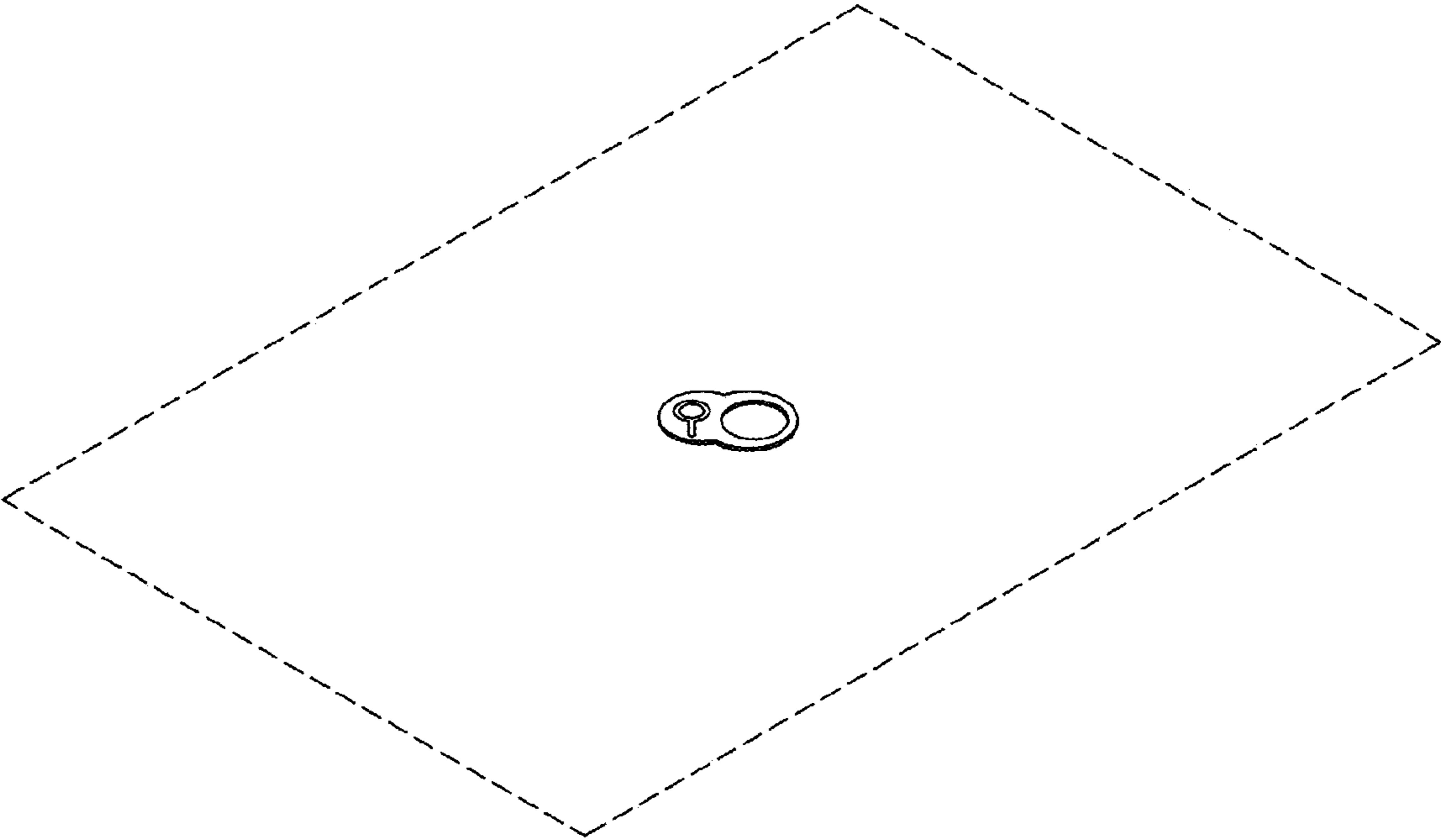


FIG. 2

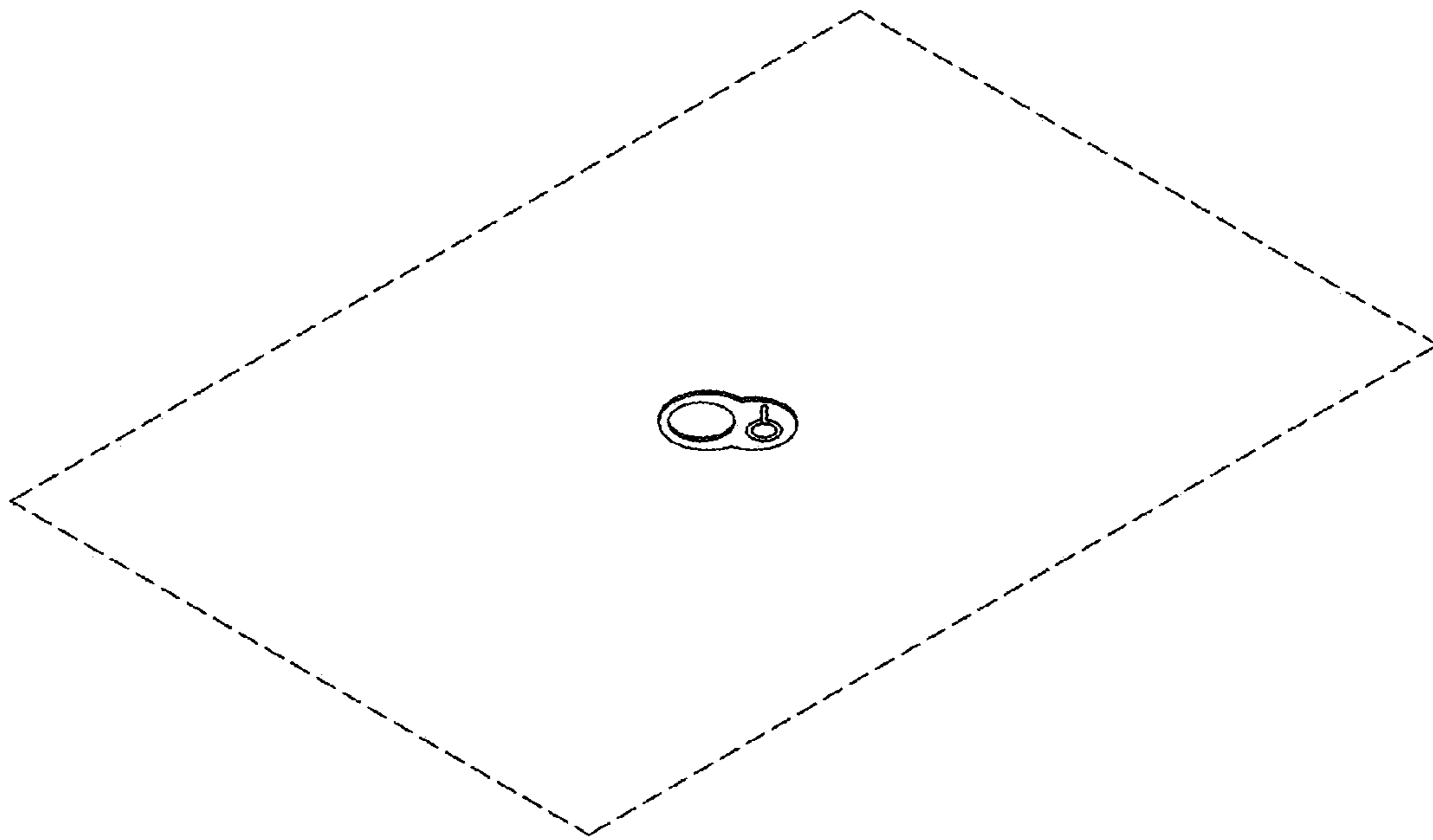


FIG. 3