



US00D687042S

(12) **United States Design Patent**
Yoneta et al.

(10) **Patent No.:** **US D687,042 S**
(45) **Date of Patent:** **** Jul. 30, 2013**

(54) **RECORDING MEDIUM**

(75) Inventors: **Kousuke Yoneta**, Tokyo (JP); **Yasushi Fukuoka**, Tokyo (JP)

(73) Assignee: **Kabushiki Kaisha Toshiba** (JP)

(**) Term: **14 Years**

(21) Appl. No.: **29/419,355**

(22) Filed: **Apr. 27, 2012**

(30) **Foreign Application Priority Data**

Dec. 9, 2011 (JP) 2011-028677

(51) **LOC (9) Cl.** **14-02**

(52) **U.S. Cl.**
USPC **D14/480.5**

(58) **Field of Classification Search**
USPC D14/411, 433, 435.1, 436, 480.1–480.7,
D14/484.1, 137, 155, 203.1–203.8, 24, 218;
D13/133, 154; 361/679.31, 679.33, 679.4,
361/752; 439/131, 135–147; 710/300, 301;
711/100, 115

See application file for complete search history.

(56) **References Cited**

U.S. PATENT DOCUMENTS

D251,291 S * 3/1979 Becker D12/93
D500,302 S * 12/2004 Deguchi D14/480.4
D537,820 S * 3/2007 Hsu D14/480.1
D542,788 S * 5/2007 Gutmann et al. D14/480.5

(Continued)

FOREIGN PATENT DOCUMENTS

TW D111218 6/2006

OTHER PUBLICATIONS

CellMate Single-Slt Multi-Card Reader Manufacturer, [online], [retrieved on Jan. 8, 2007]. Retrieved from the Internet <URL: http://www.globalsources.com/gsol/I/Memory-card/p/bg/1000647651.htm>.*

(Continued)

Primary Examiner — Karen E Kearney

(74) *Attorney, Agent, or Firm* — Banner & Witcoff, Ltd.

(57) **CLAIM**

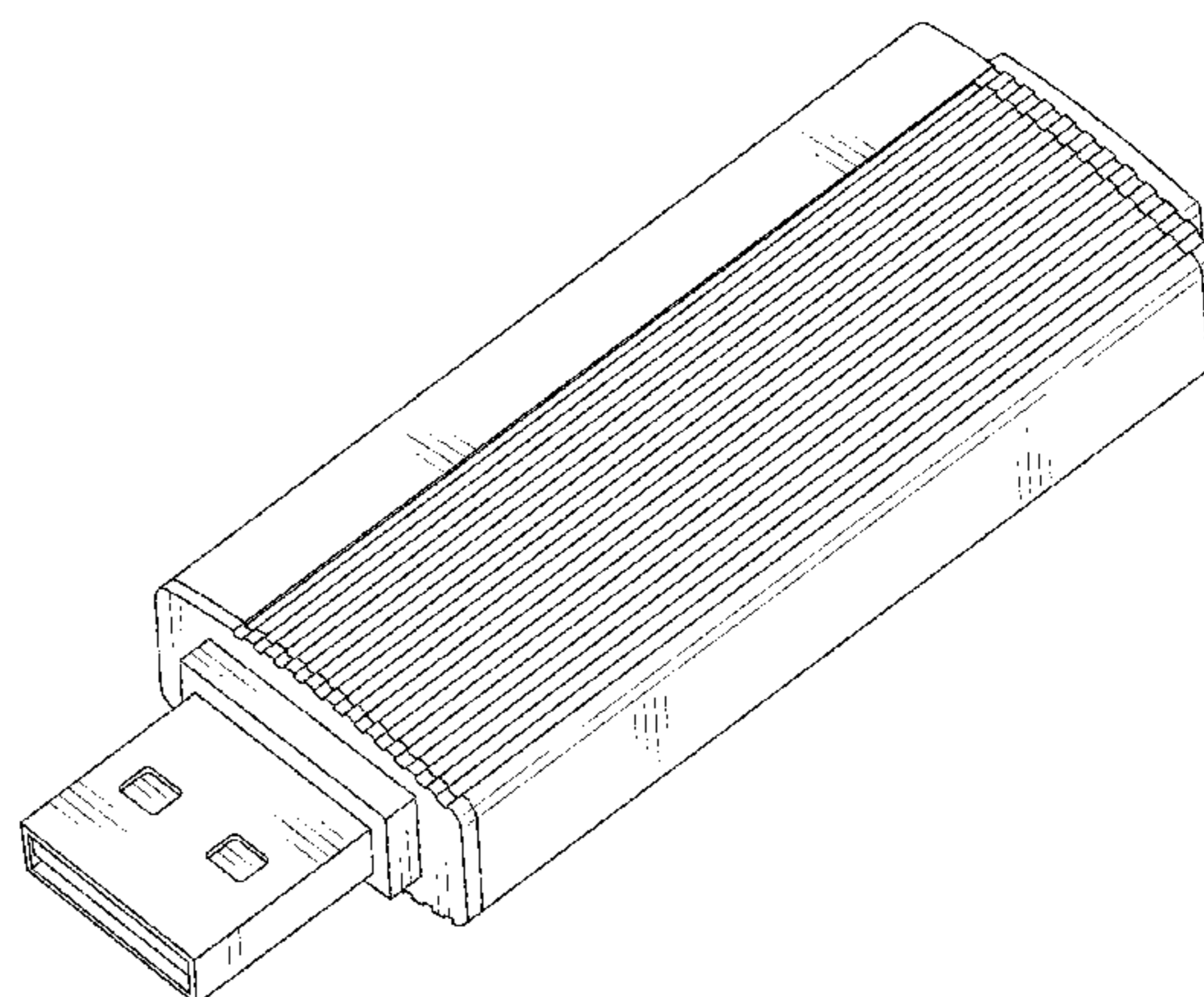
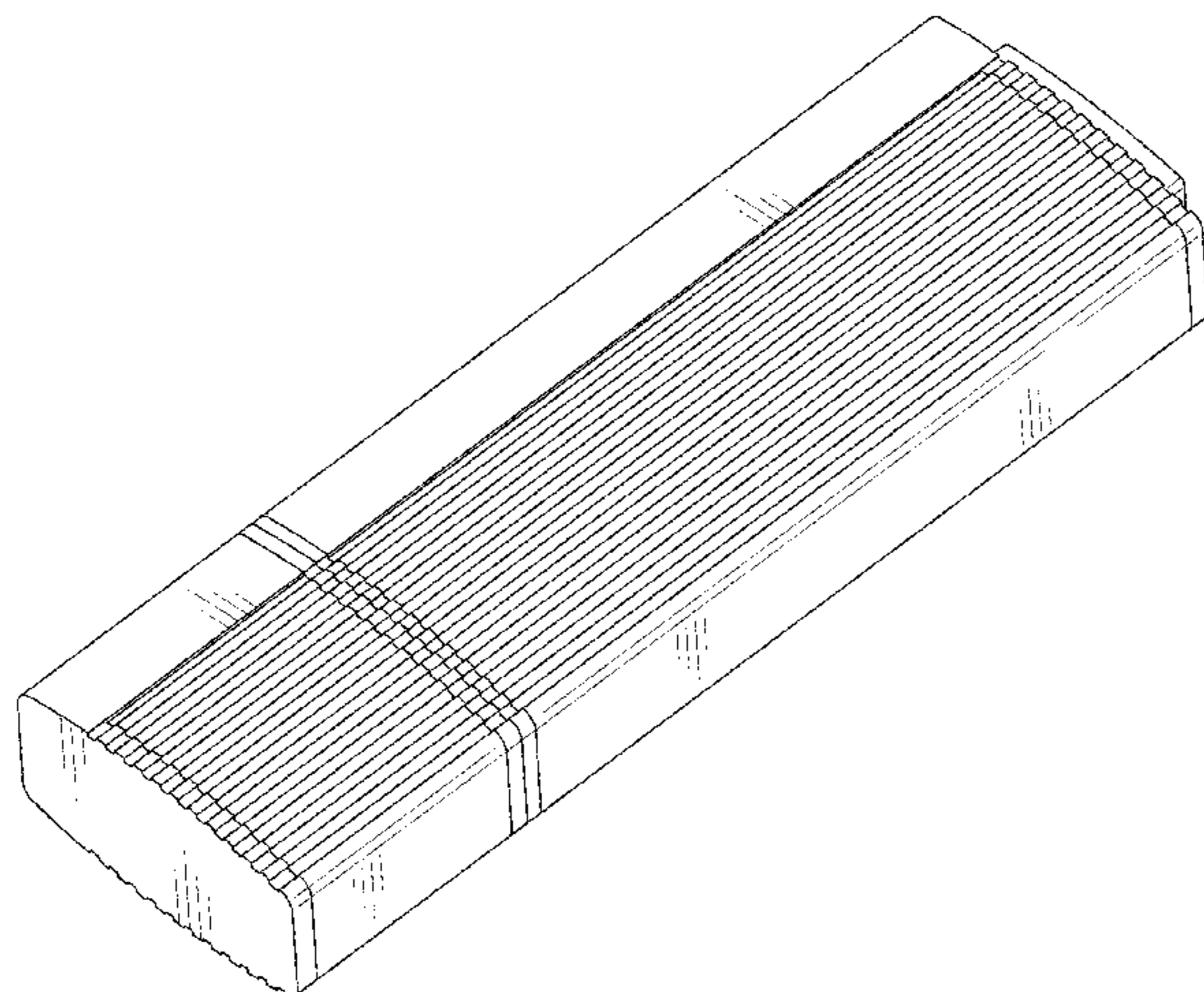
The ornamental design for a recording medium, as shown and described.

DESCRIPTION

FIG. 1 is a perspective view of a recording medium, showing our new design;
FIG. 2 is a front elevational view thereof;
FIG. 3 is a rear elevational view thereof;
FIG. 4 is a top plan view thereof;
FIG. 5 is a bottom plan view thereof;
FIG. 6 is a right side elevational view thereof;
FIG. 7 is a left side elevational view thereof;
FIG. 8 is a cross sectional view thereof, taken along the line 8-8 in FIG. 6;
FIG. 9 is a cross sectional view thereof, taken along the line 9-9 in FIG. 3;
FIG. 10 is a perspective view thereof with the cap in a removed state;
FIG. 11 is a front elevational view thereof with the cap in a removed state;
FIG. 12 is a rear elevational view thereof with the cap in a removed state;
FIG. 13 is a top plan view thereof with the cap in a removed state;
FIG. 14 is a bottom plan view thereof with the cap in a removed state; and,
FIG. 15 is a left side elevational view thereof with the cap in a removed state.

The broken line showings in FIGS. 8 and 9 are for the purpose of illustrating hatch shading of the cross sections of the recording medium and form no part of the claimed design.

1 Claim, 7 Drawing Sheets



US D687,042 S

Page 2

U.S. PATENT DOCUMENTS

D572,248 S * 7/2008 Jen D14/480.5
D620,017 S * 7/2010 Lo D14/480.7
D620,946 S * 8/2010 Lo D14/480.5
D647,100 S * 10/2011 Huang D14/480.7
D647,101 S * 10/2011 Huang D14/480.7
D654,083 S * 2/2012 Lo D14/480.7
D669,072 S * 10/2012 Huang D14/356
D670,297 S * 11/2012 Huang D14/480.5
8,345,417 B2 * 1/2013 Lo 361/679.31
D677,266 S * 3/2013 Chen et al. D14/480.5
2010/0315762 A1 * 12/2010 Lo 361/600

OTHER PUBLICATIONS

Techtree.com India > Reviews > Mobile Computing > Portable Storage > Kingston DataTraveler 200 64GB: USB Flash Drive, [online] posted Sep. 25, 2009 [retrieved on May 17, 2010]. Retrieved from the Internet <URL: http://www.techtree.com/techtree/jsp/article.jsp?print=1&article_id=106549&cat_id=611>.*
I-O Data Device, Inc. Catalog of USB Memory (TB-ATG).
I-O Data Device, Inc. Catalog of USB Memory (ED-S2).

* cited by examiner

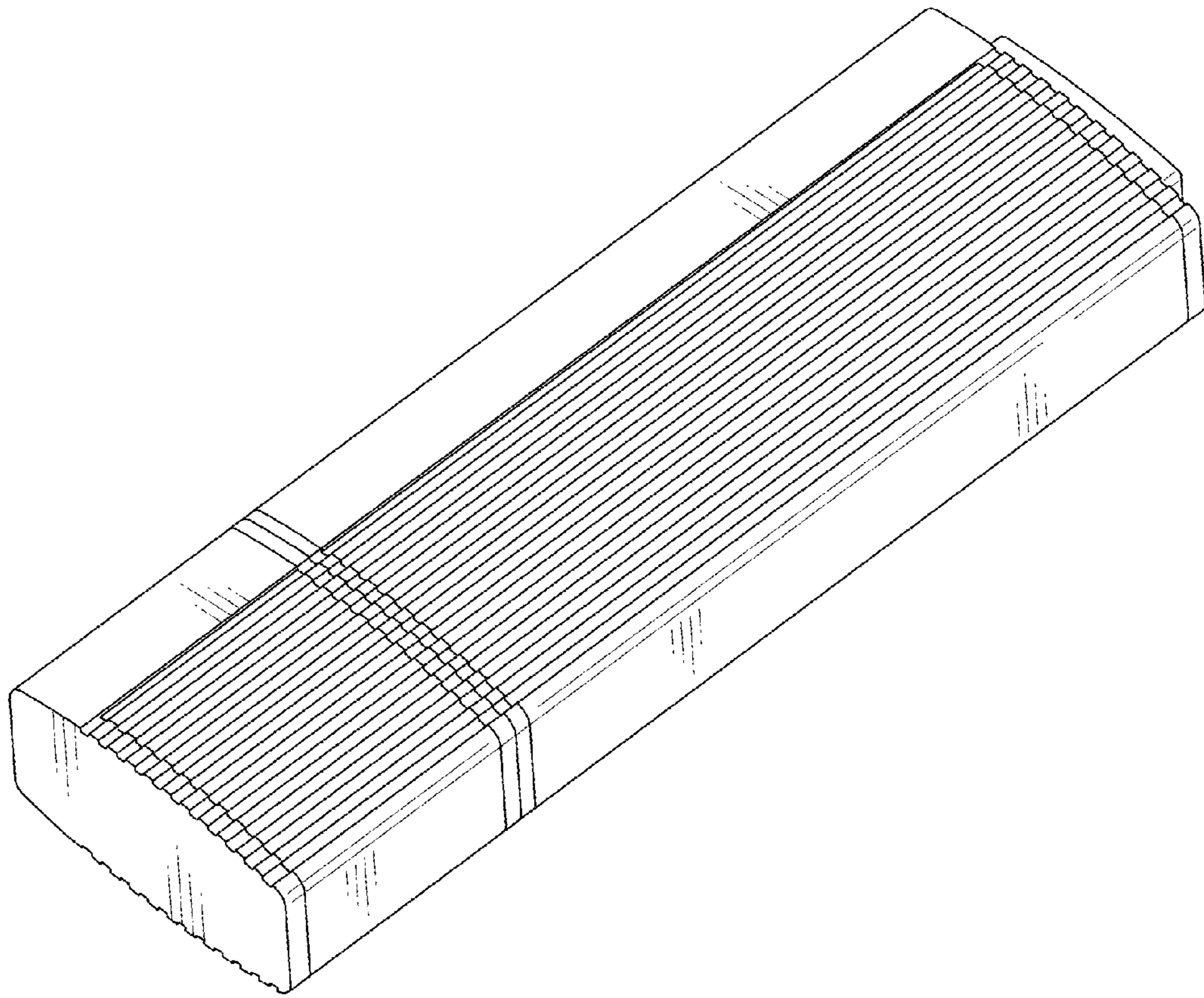


FIG. 1

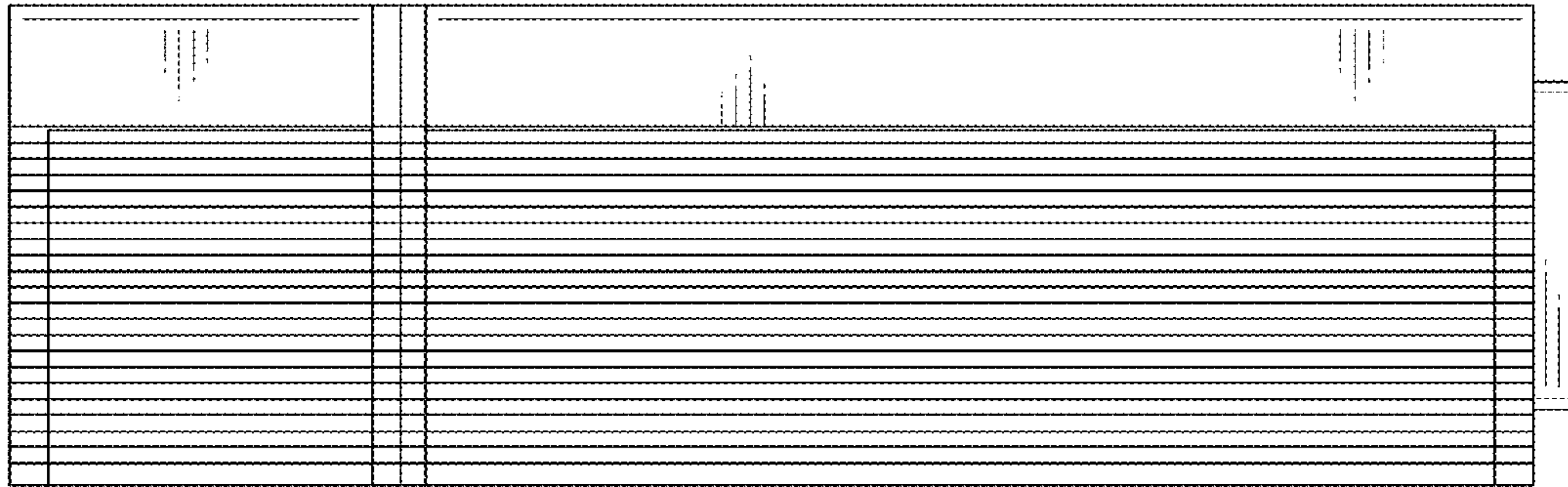


FIG. 2

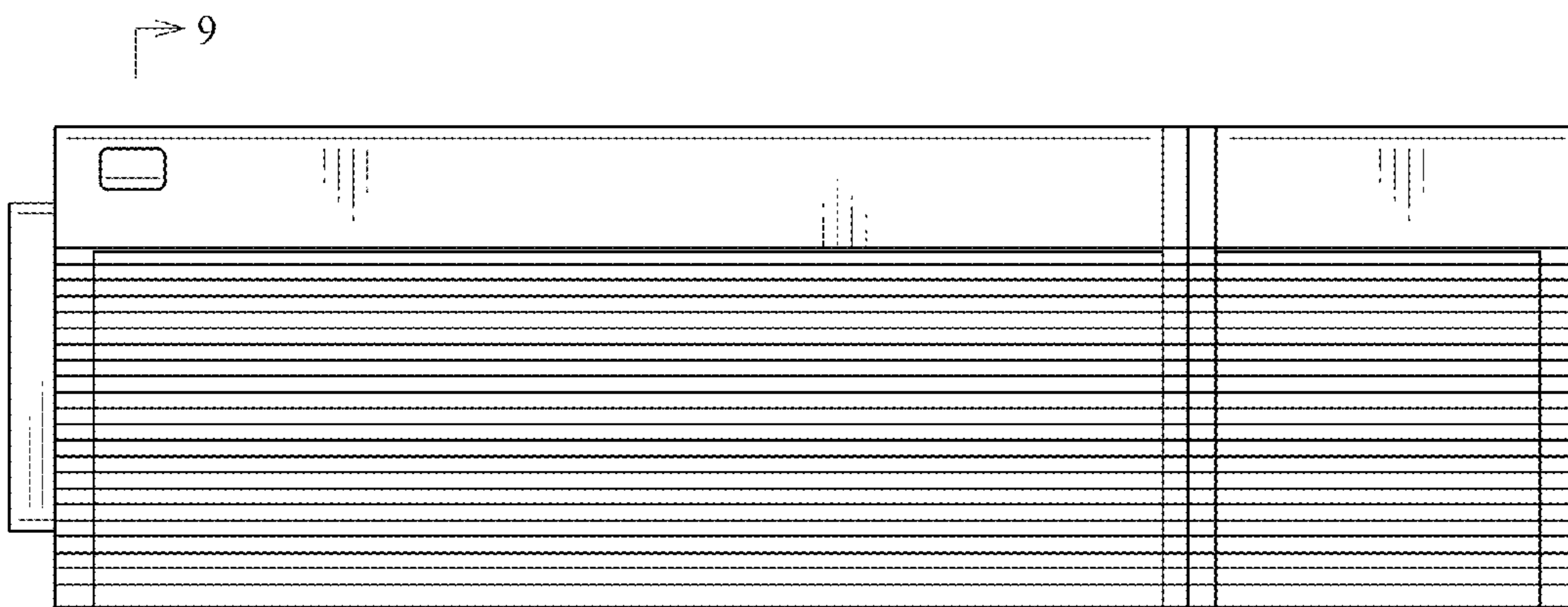


FIG. 3

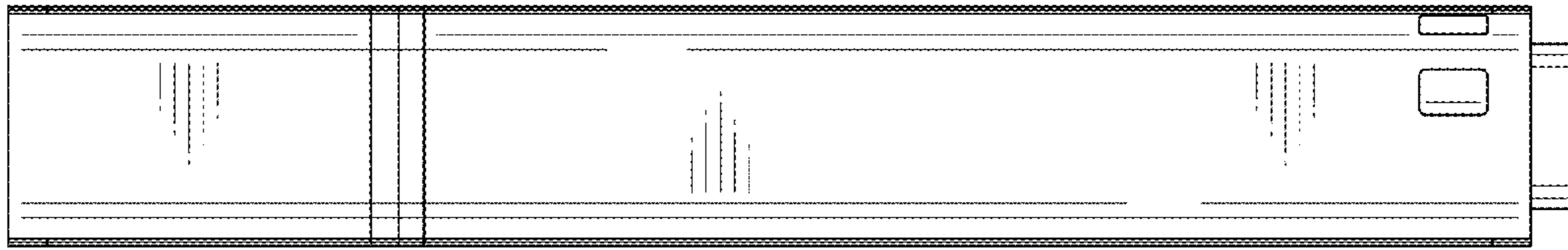


FIG. 4

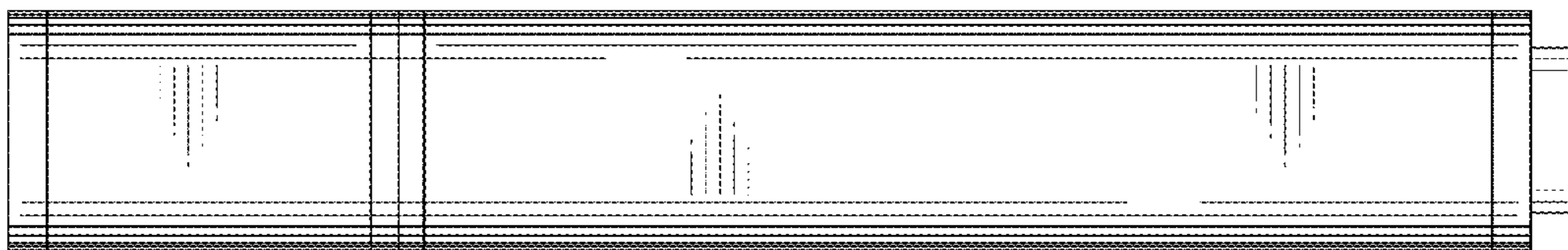


FIG. 5

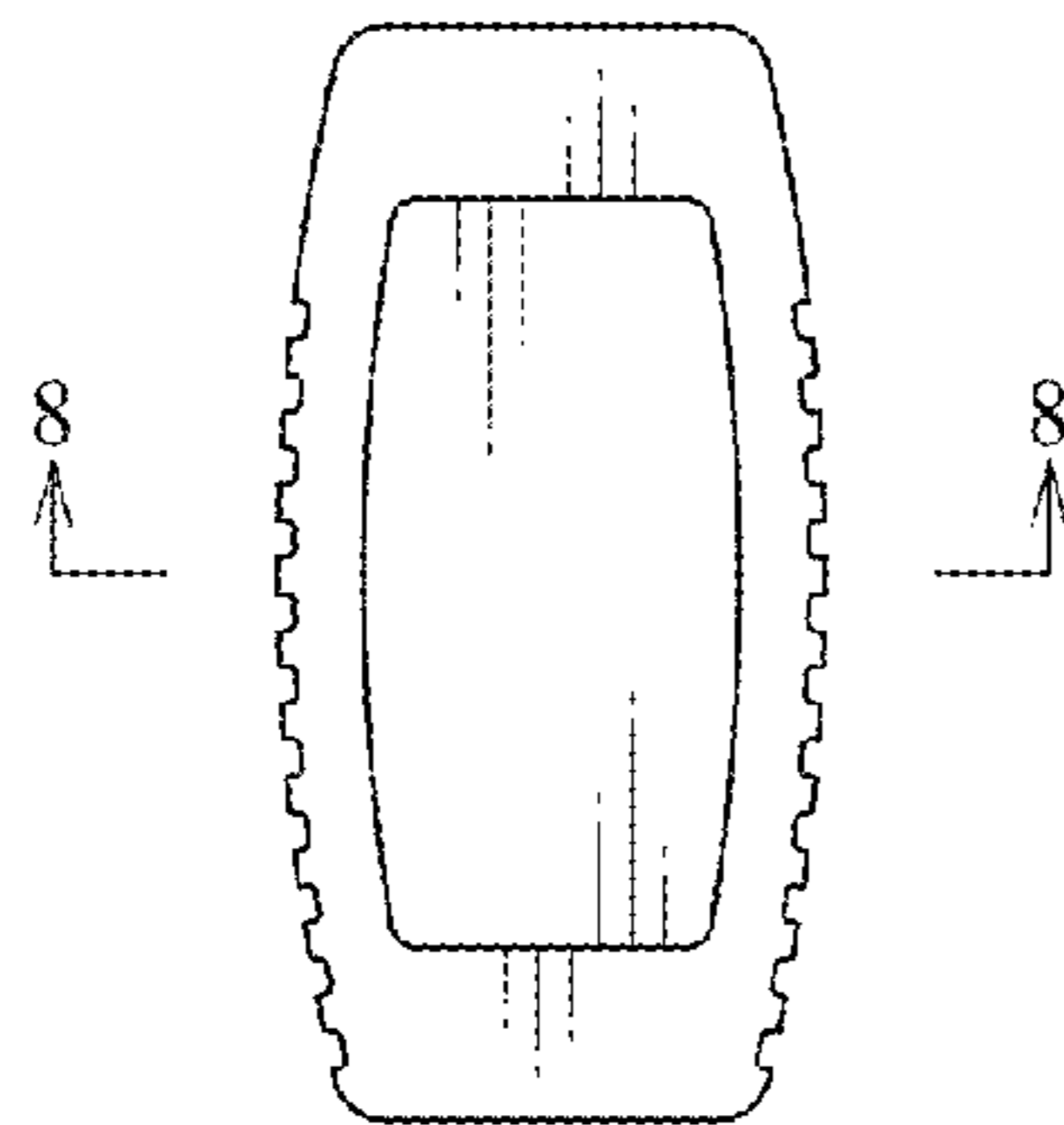


FIG. 6

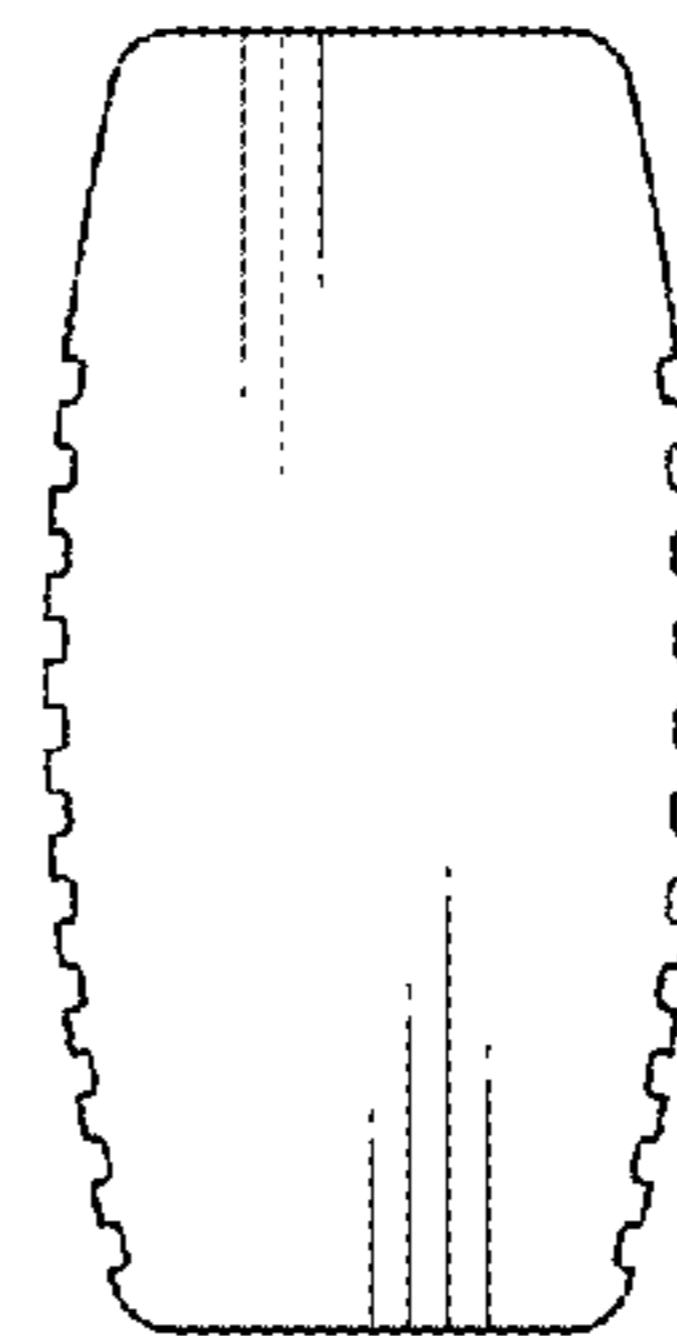


FIG. 7

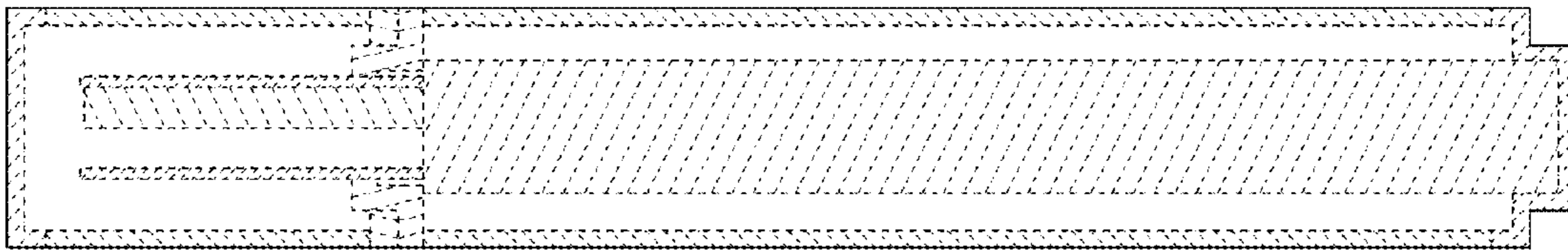


FIG. 8

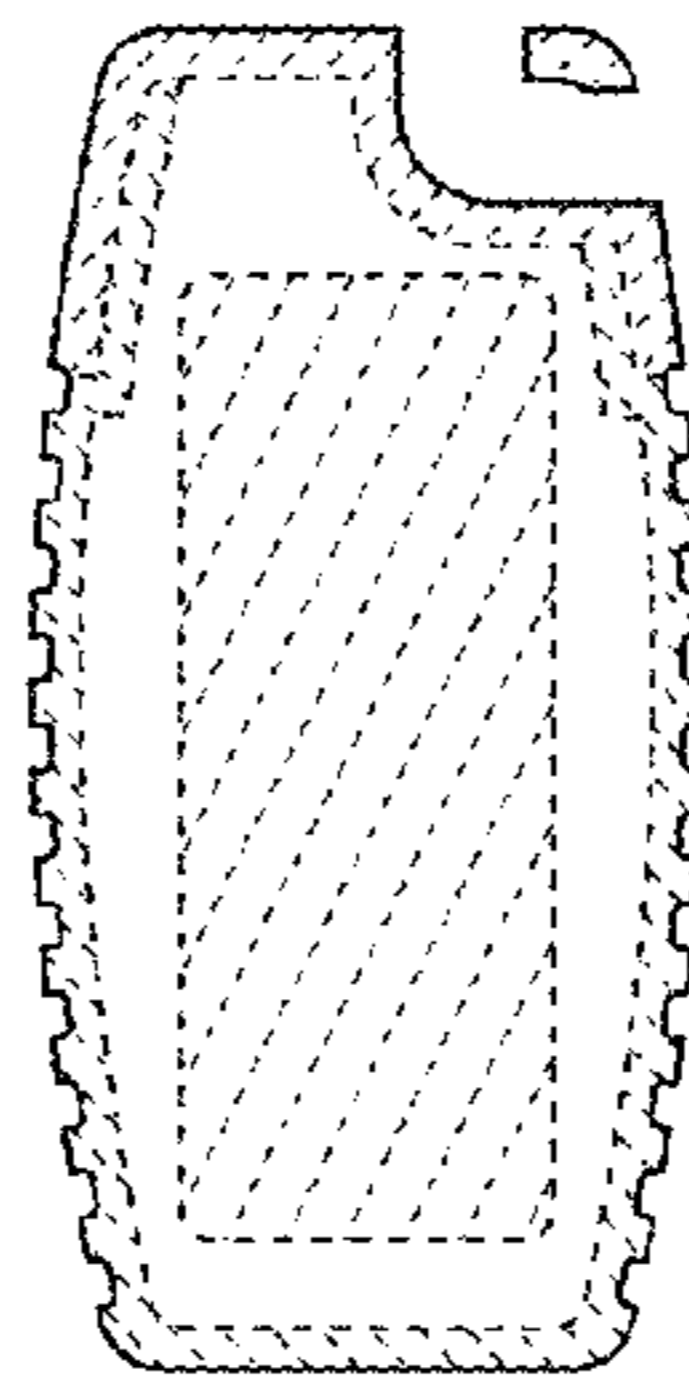


FIG. 9

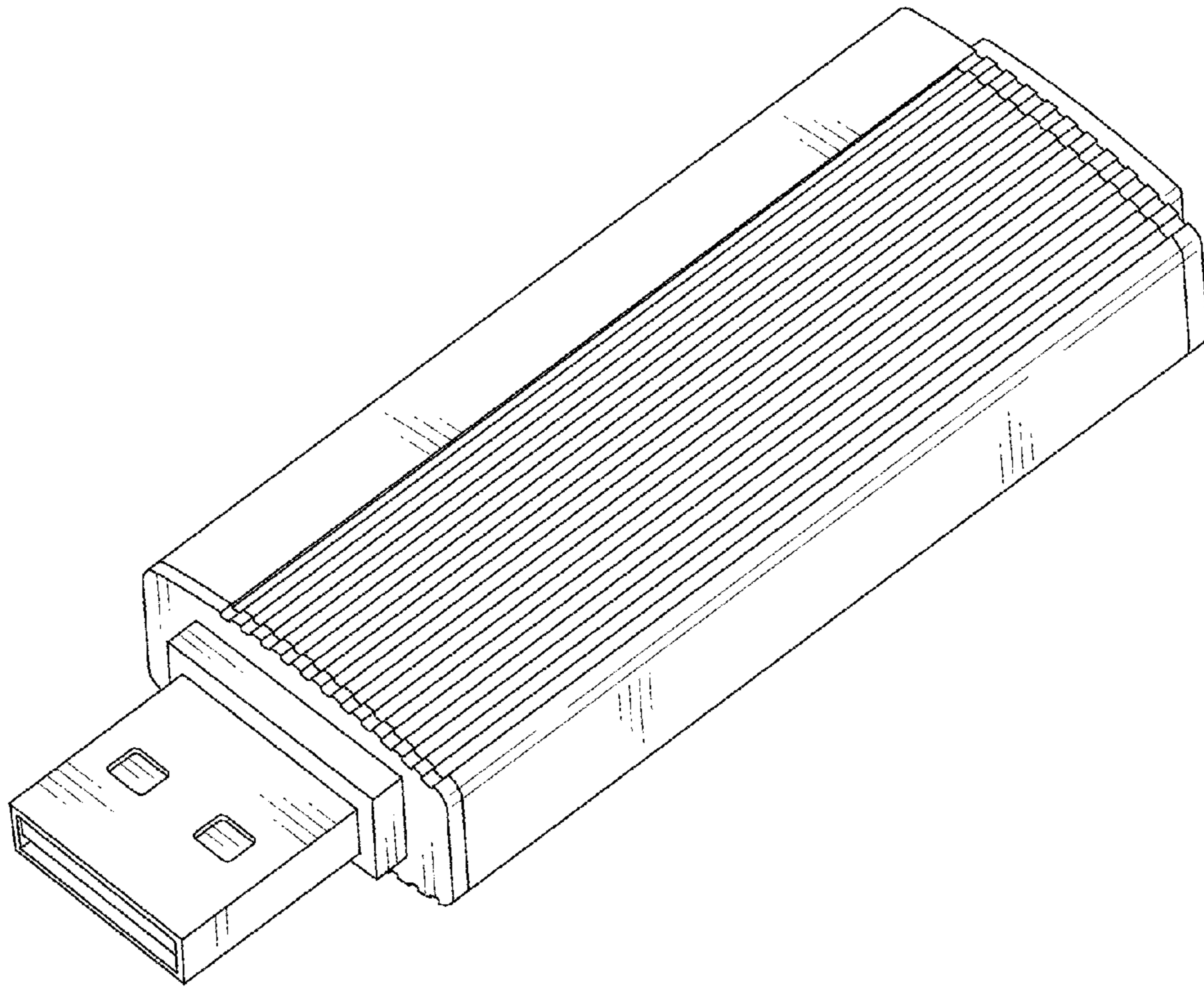


FIG. 10

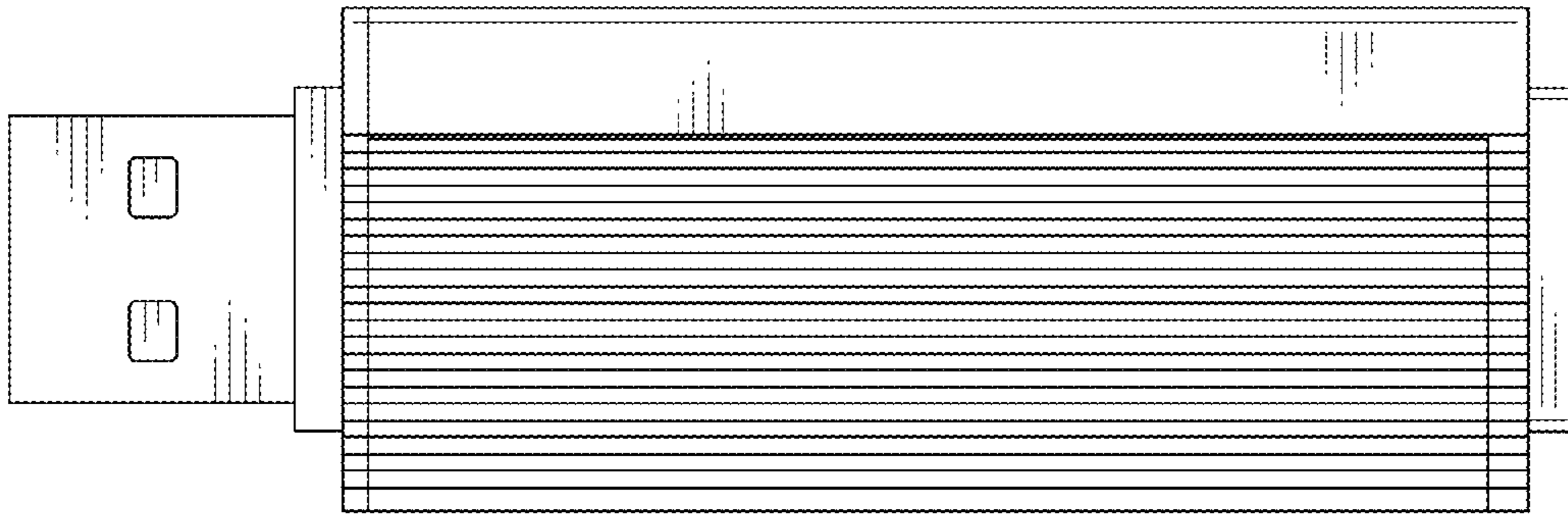


FIG. 11

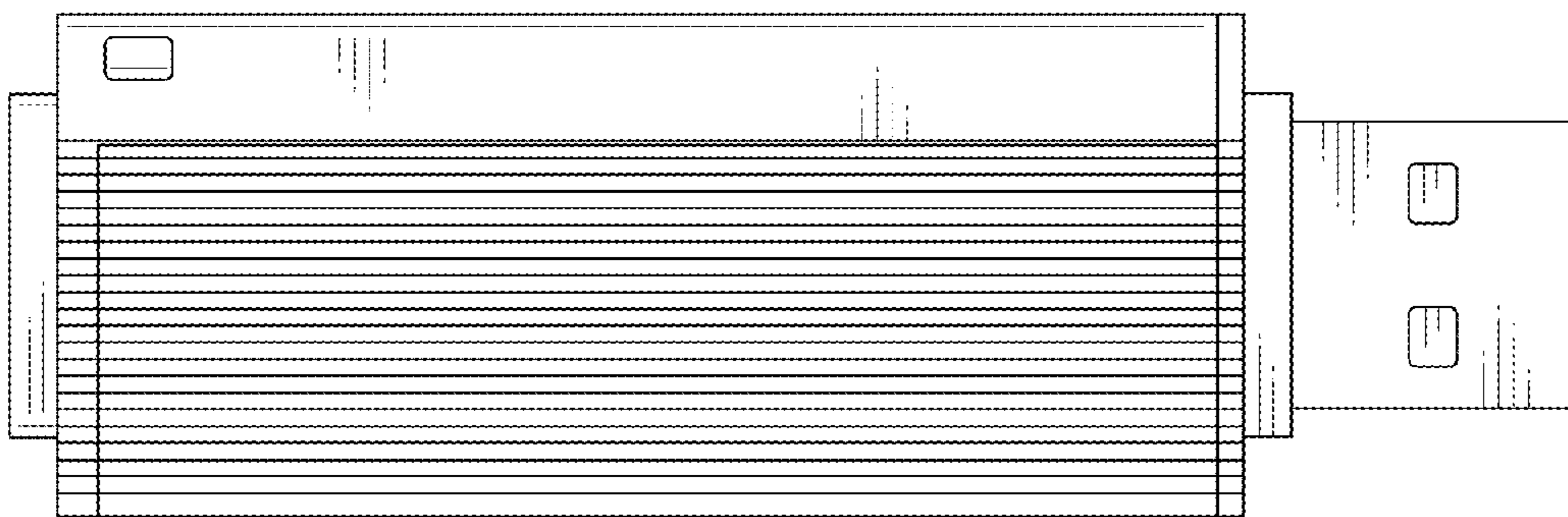


FIG. 12

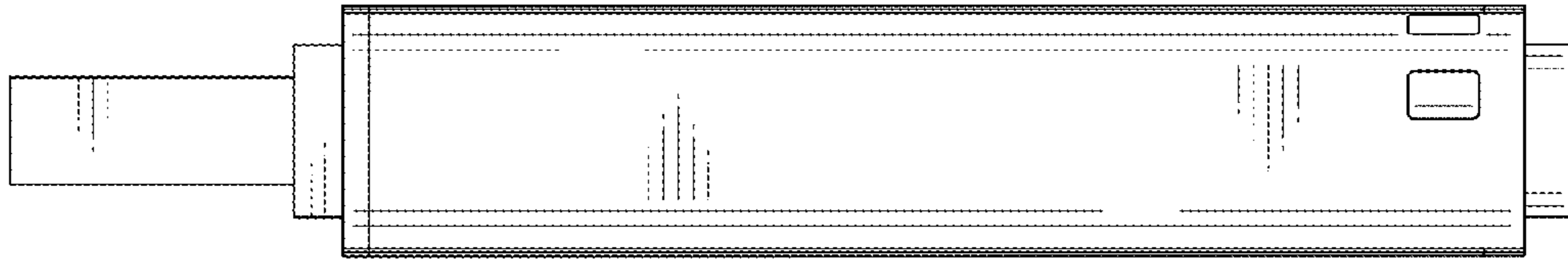


FIG. 13

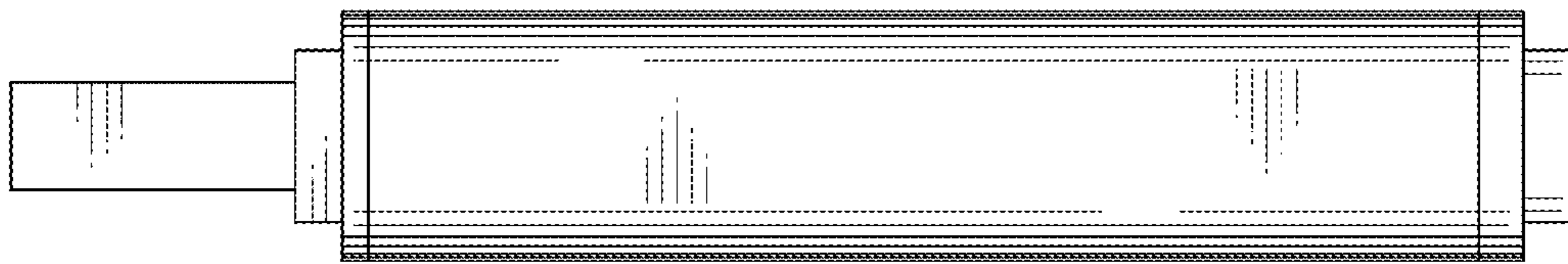


FIG. 14

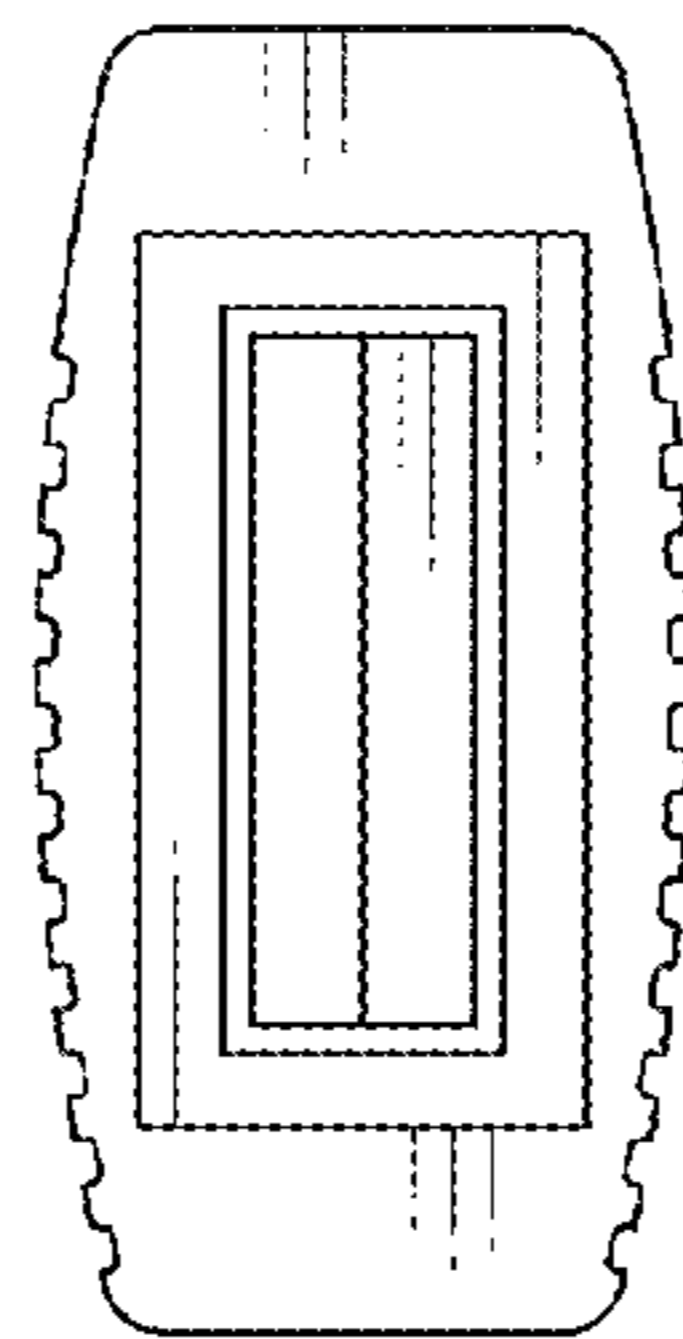


FIG. 15