



US00D687041S

(12) **United States Design Patent**
Benois

(10) **Patent No.:** **US D687,041 S**
(45) **Date of Patent:** **** Jul. 30, 2013**

(54) **USB FLASH DRIVE**

(75) **Inventor:** **Laurent Benois**, Carrières sur Seine (FR)

(73) **Assignee:** **Linkeet**, Paris (FR)

(**) **Term:** **14 Years**

(21) **Appl. No.:** **29/411,210**

(22) **Filed:** **Jan. 18, 2012**

(51) **LOC (9) Cl.** **14-02**

(52) **U.S. Cl.**
USPC **D14/480.5**

(58) **Field of Classification Search**
USPC D14/411, 433, 435, 435.1, 436–438, D14/480.1–480.7, 484.1, 137, 155, 203.1–203.8, 240; D13/133, 146–147, 154; 710/300, 301; 439/131, 135–147; 361/679.31, 361/679.33, 679.4, 752; 711/100, 115
See application file for complete search history.

(56) **References Cited**

U.S. PATENT DOCUMENTS

4,565,922	A *	1/1986	Anderson	235/492
D368,082	S *	3/1996	Goto	D14/435
D427,167	S *	6/2000	Iwasaki	D14/436
D452,690	S *	1/2002	Wallace et al.	D14/436
D457,887	S *	5/2002	Kadonaga	D14/436
D526,651	S *	8/2006	Hoogerdijk	D14/436
D545,166	S *	6/2007	Laaper	D8/105
7,264,172	B2 *	9/2007	Amiot et al.	235/486
D553,130	S *	10/2007	Fiorentino	D14/436
7,344,072	B2 *	3/2008	Gonzalez et al.	235/441

(Continued)

OTHER PUBLICATIONS

OCZ Technology Products Flash Media OCZ Ultra-Slim, Large-Capacity Mega-Kart USB 2.0 Flash Card, Web Archive [online] Oct. 4, 2006 [retrieved on Jul. 6, 2007]. Retrieved from the Internet <URL: <http://web.archive.org/web/20061004132947/http://>

www.oczt...cz_ultra_slim-large_capacity_mega_kart_usb_2_0_flash_card>.*

(Continued)

Primary Examiner — Karen E Kearney

(74) *Attorney, Agent, or Firm* — Jordan IP Law, LLC; Todd A. Vaughn

(57) **CLAIM**

The ornamental design for a USB flash drive, as shown and described.

DESCRIPTION

FIG. 1 is a bottom exploded perspective view of a USB flash drive.

FIG. 2 is a bottom perspective view of the USB flash drive in an extracted position from its carrier.

FIG. 3 is a bottom perspective view of the USB flash drive in an extracted position from its carrier, showing the top perspective view of the carrier.

FIG. 4 is a bottom perspective view of the USB flash drive in an inserted position into its carrier, showing the top perspective view of the carrier.

FIG. 5 is a bottom perspective view of the USB flash drive in an inserted position into its carrier.

FIG. 6 is a top exploded perspective view of the USB flash drive, showing the bottom perspective view of the carrier.

FIG. 7 is a top perspective view of the USB flash drive in an extracted position from its carrier, showing the bottom perspective view of the carrier.

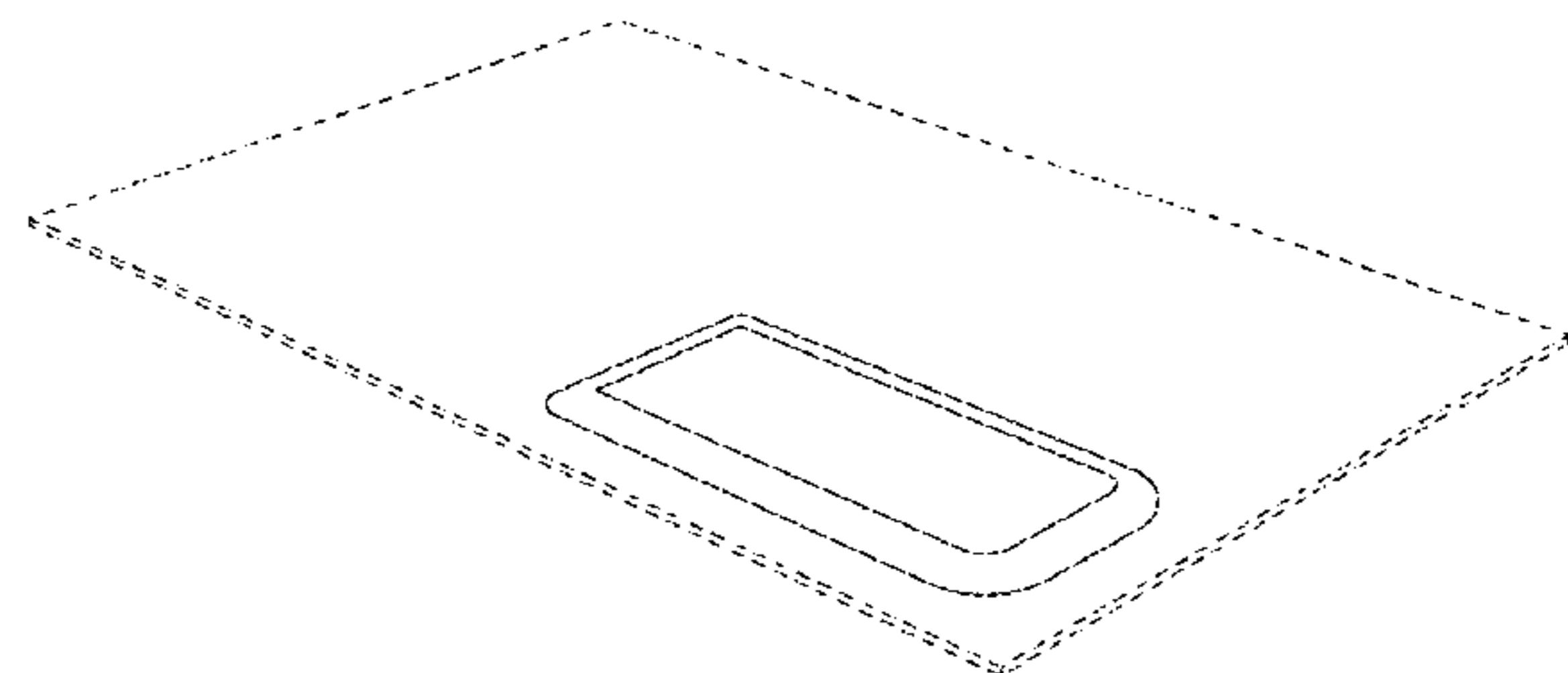
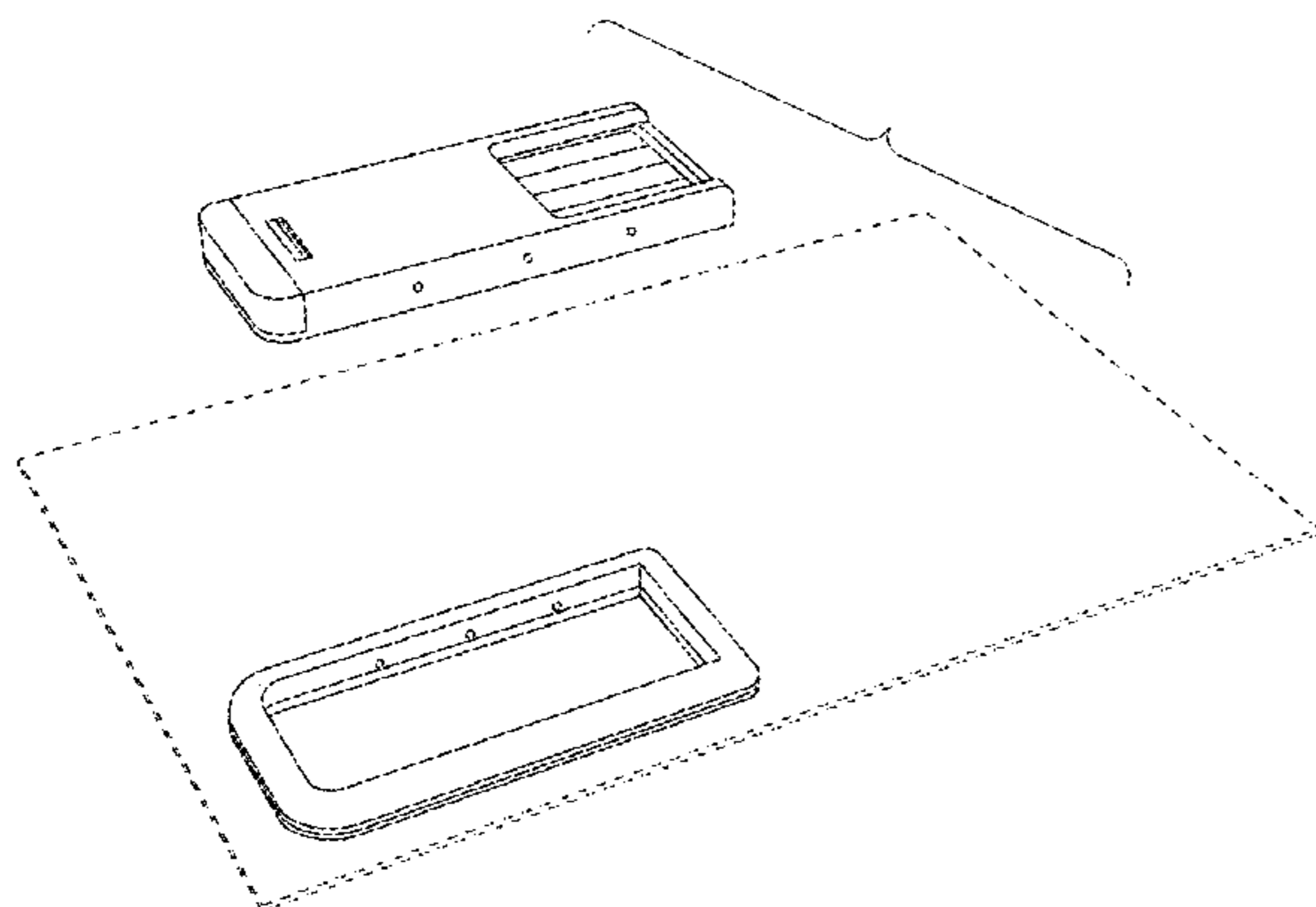
FIG. 8 is a top perspective view of the USB flash drive in an extracted position from its carrier.

FIG. 9 is a top perspective view of the USB flash drive in an inserted position into its carrier; and,

FIG. 10 is a top perspective view of the USB flash drive in an inserted position into its carrier, showing the bottom perspective view of the carrier.

The broken line showing is included for the purpose of illustrating environmental structure and forms no part of the claimed design.

1 Claim, 5 Drawing Sheets



US D687,041 S

Page 2

U.S. PATENT DOCUMENTS

D590,400 S * 4/2009 Hoogerdijk D14/436
7,537,169 B2 * 5/2009 Gonzalez et al. 235/492
D647,096 S * 10/2011 Tung et al. D14/480.1
8,059,414 B2 * 11/2011 Wei 361/737
D658,665 S * 5/2012 Akana et al. D14/480.1
D659,149 S * 5/2012 Andre D14/480.6
D659,150 S * 5/2012 Andre D14/480.7
D666,201 S * 8/2012 Gallagher et al. D14/436

OTHER PUBLICATIONS

USB Stick in Credit Card Size at Random Good Stuff—The Entertainment Blog, Web Archive [online] Mar. 17, 2007 [retrieved on Jul. 11, 2007]. Retrieved from the Internet <URL: <http://web.archive.org/web/20070317025112/http://www.random-good-stuff.com/index.php/2006/02/07/usb-stick-in-credit-card-size/>>.*

* cited by examiner

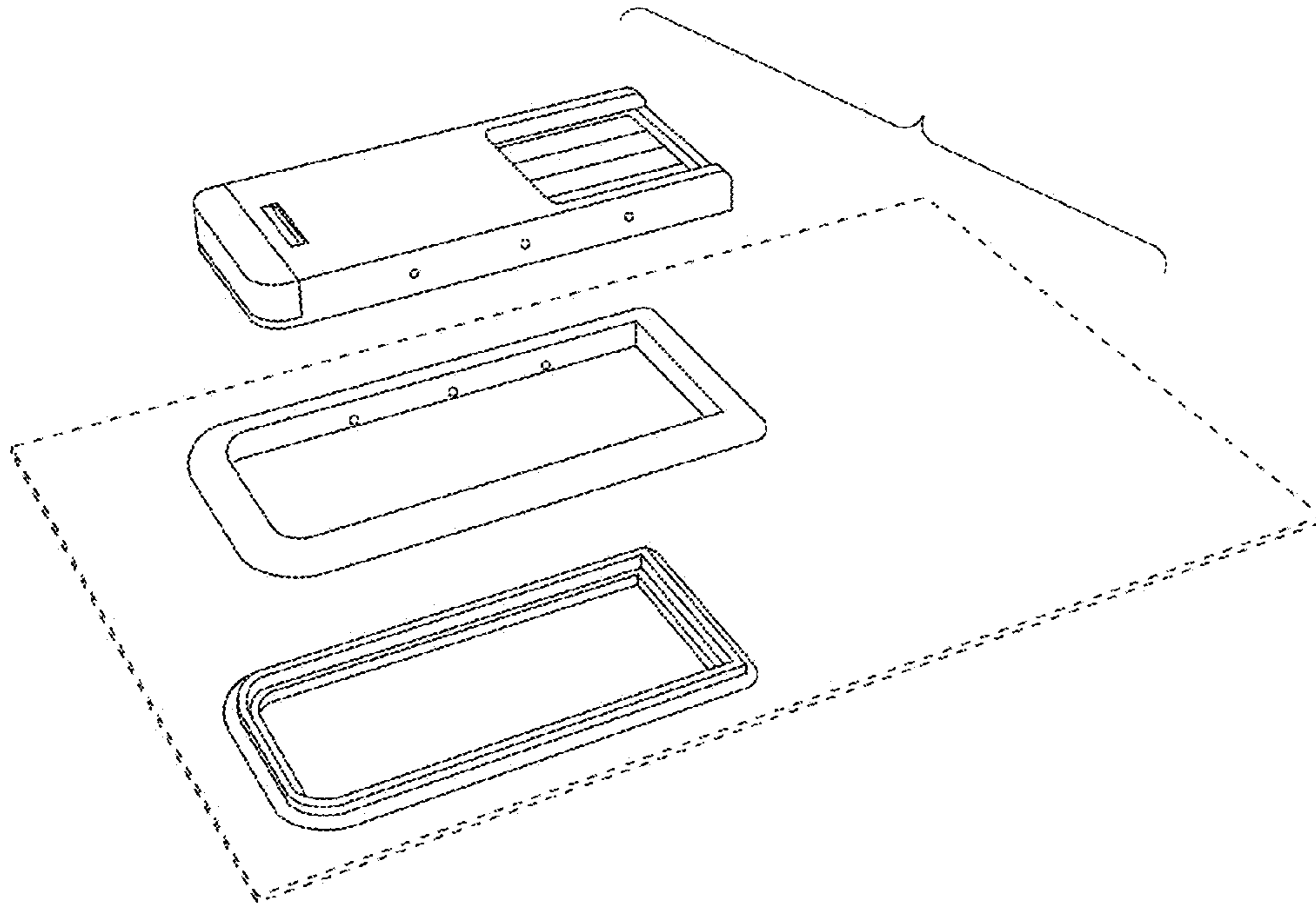


FIG.1

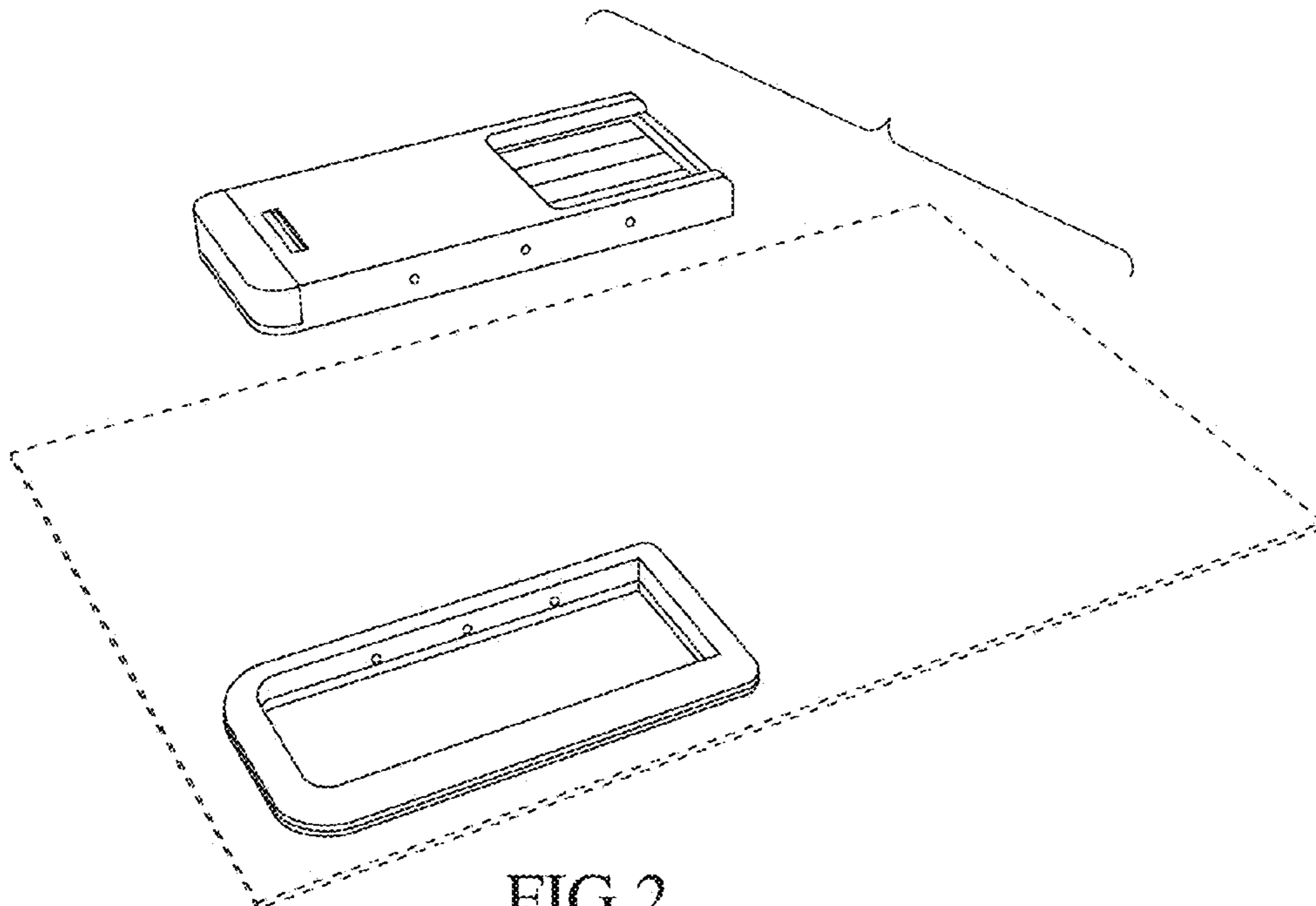


FIG.2

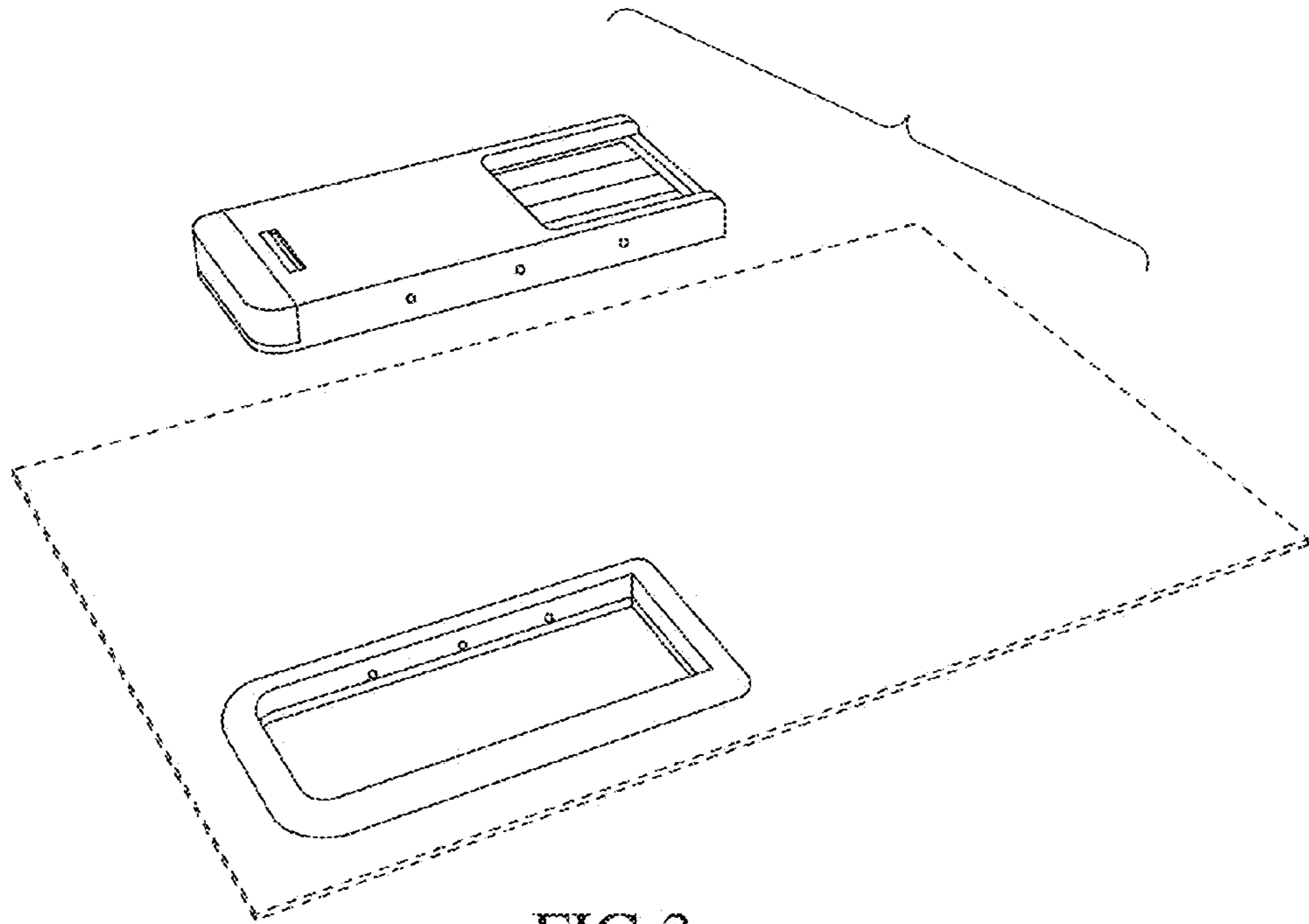


FIG. 3

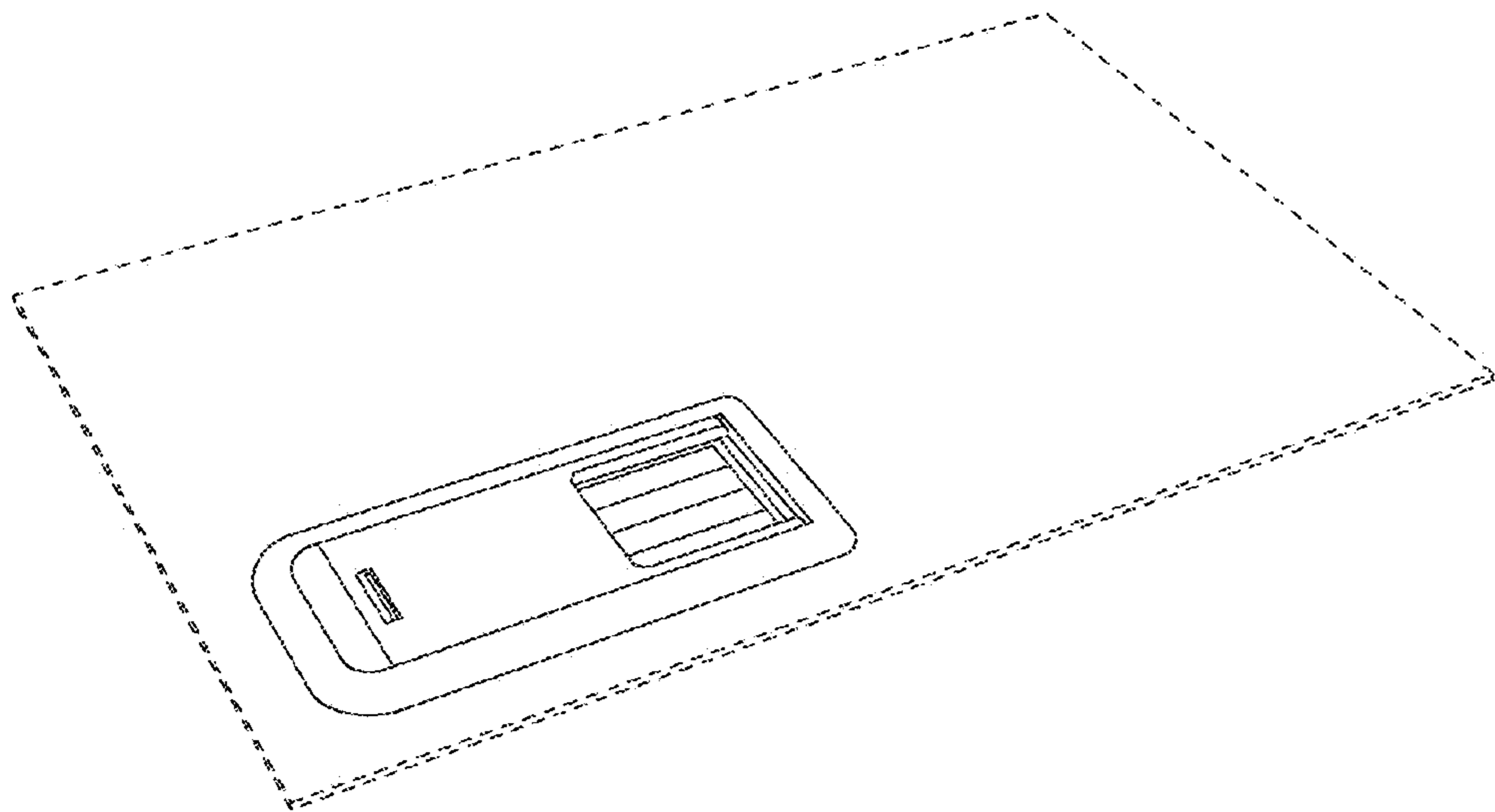


FIG. 4

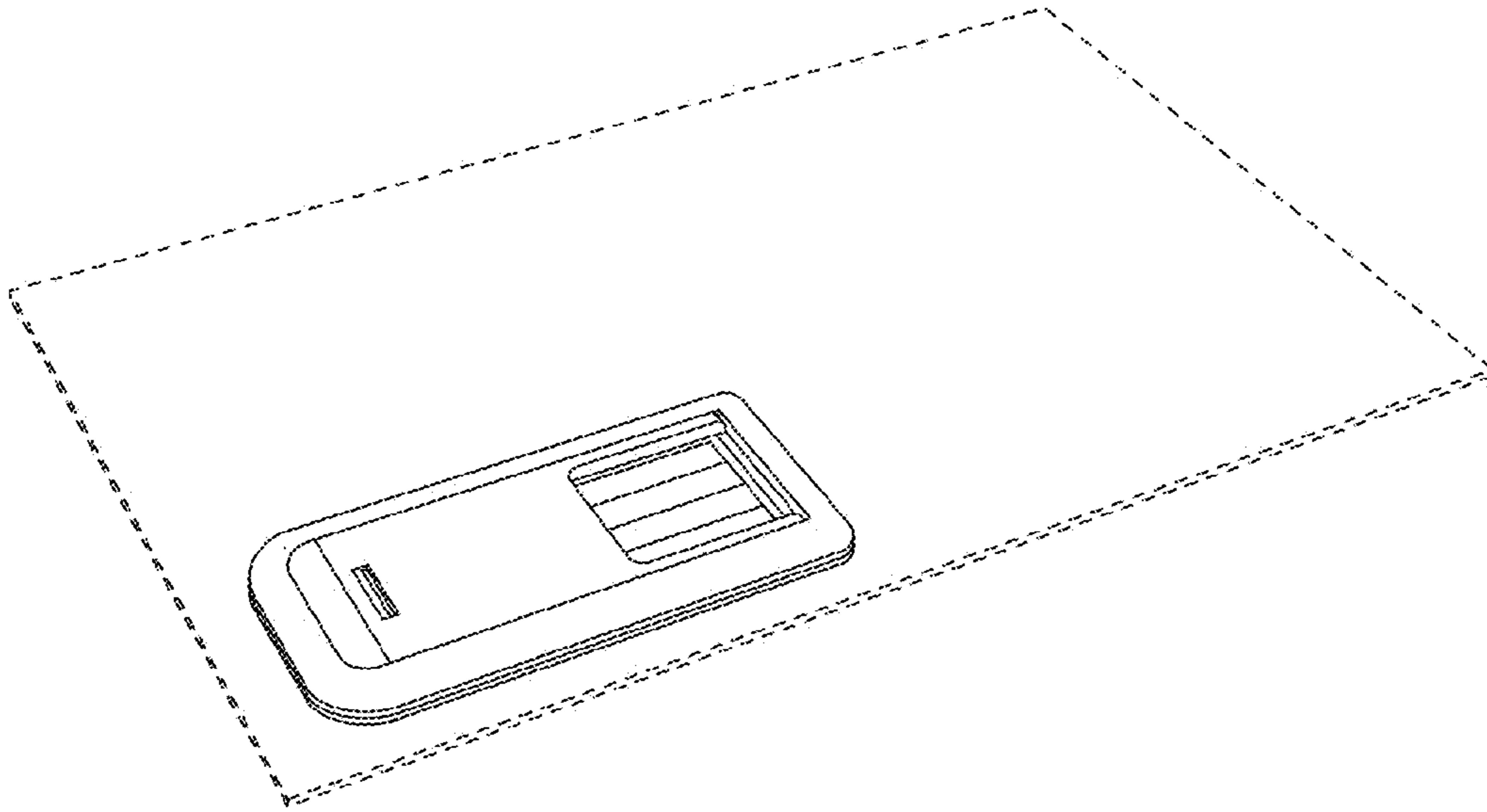


FIG. 5

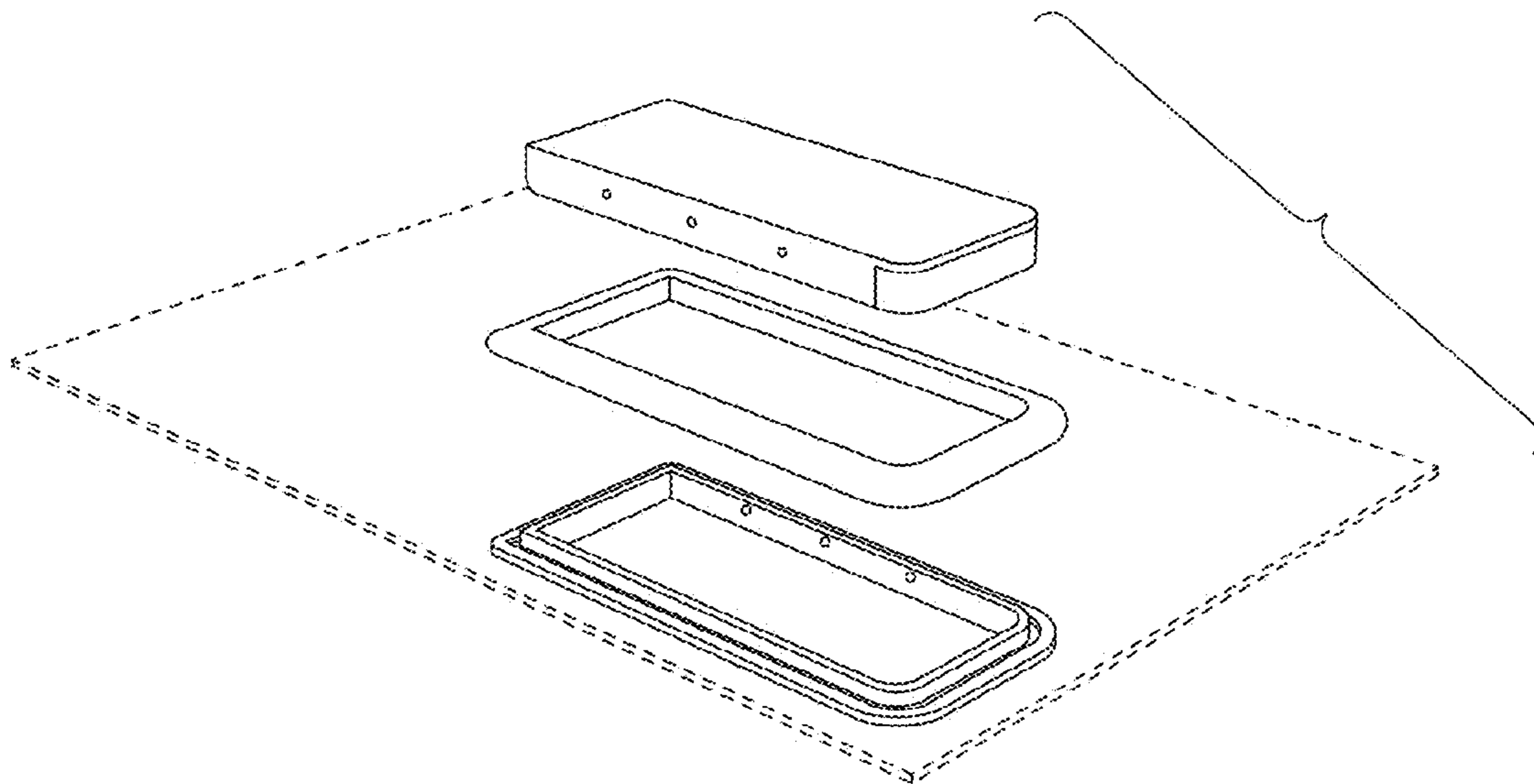


FIG. 6

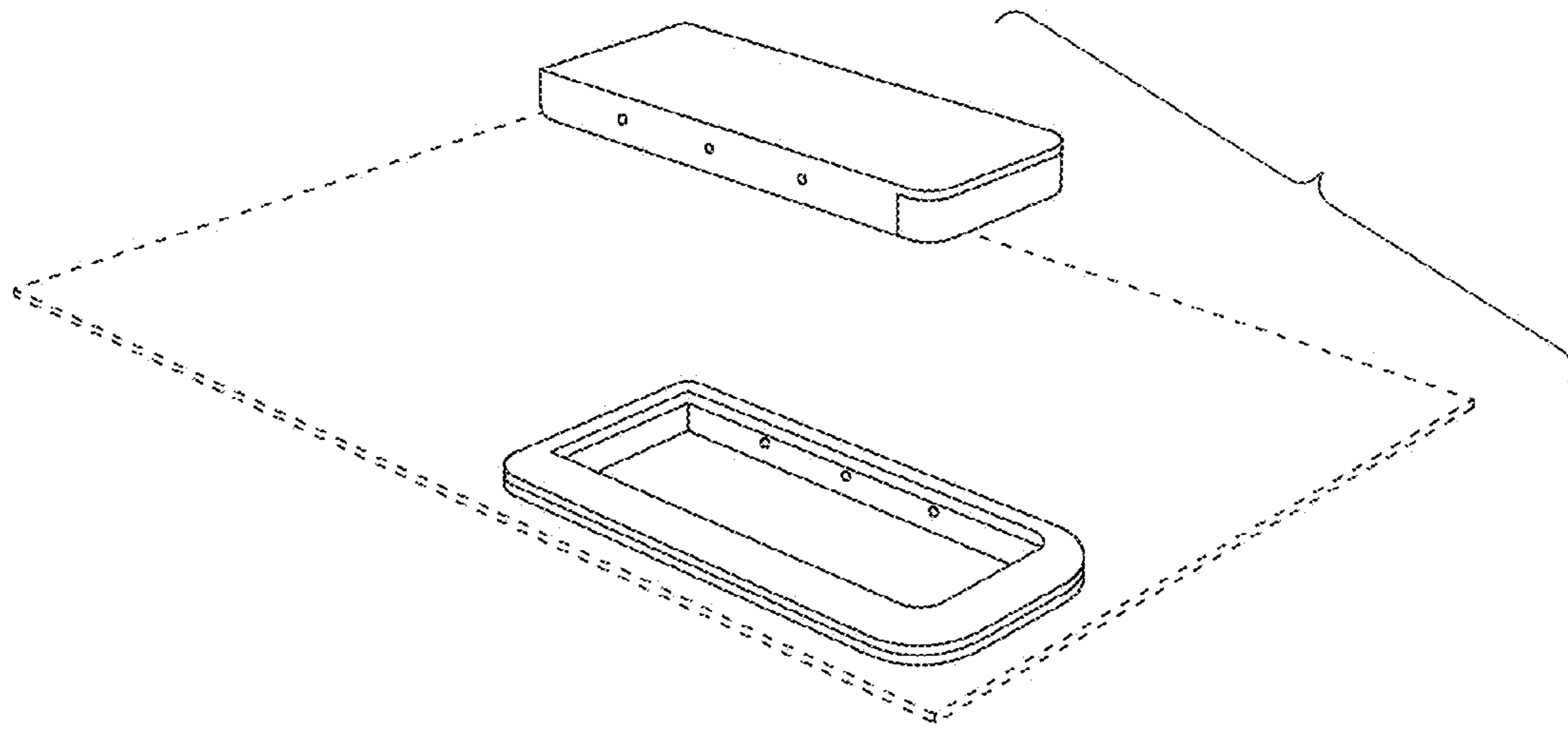


FIG.7

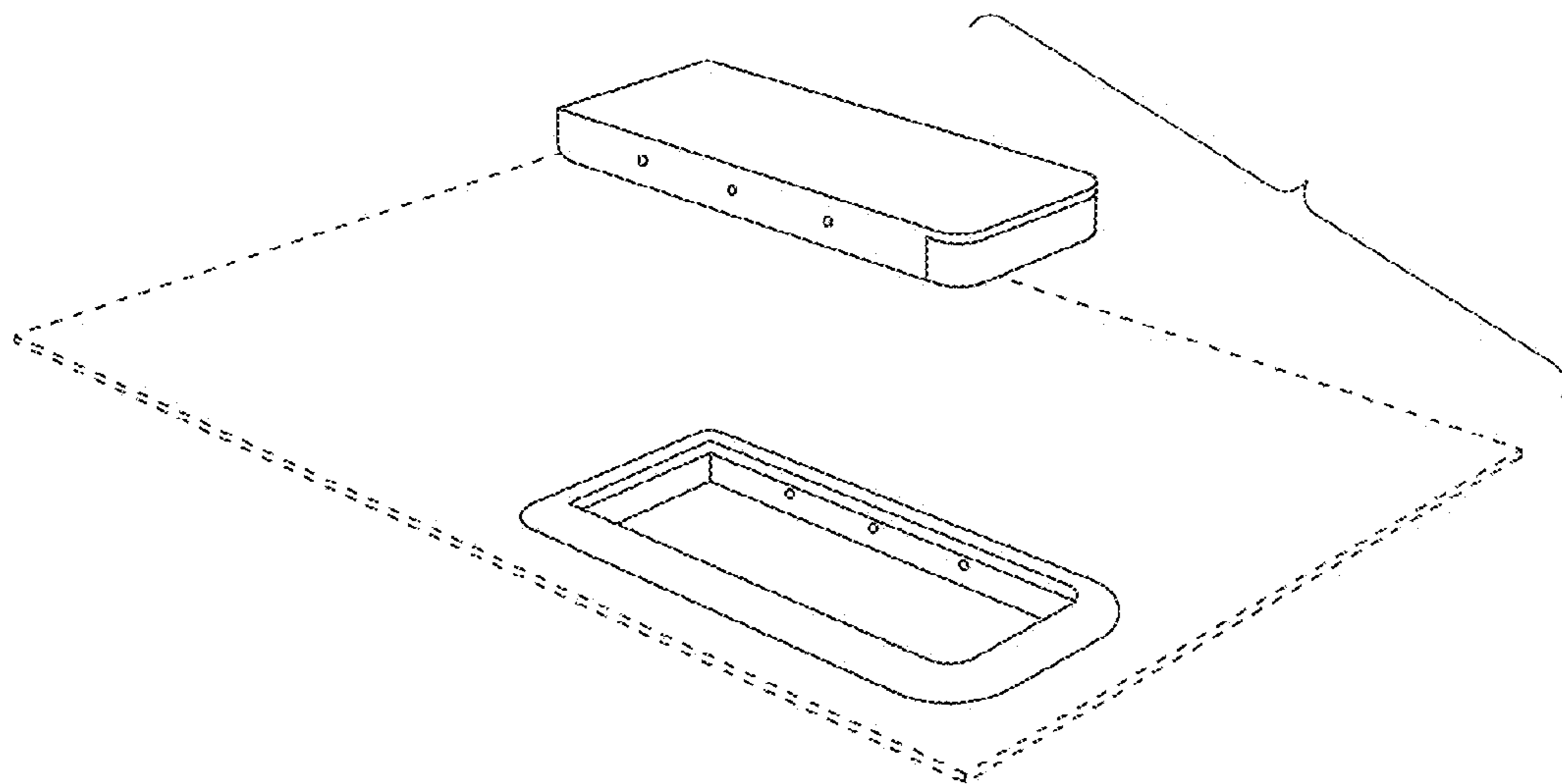


FIG.8

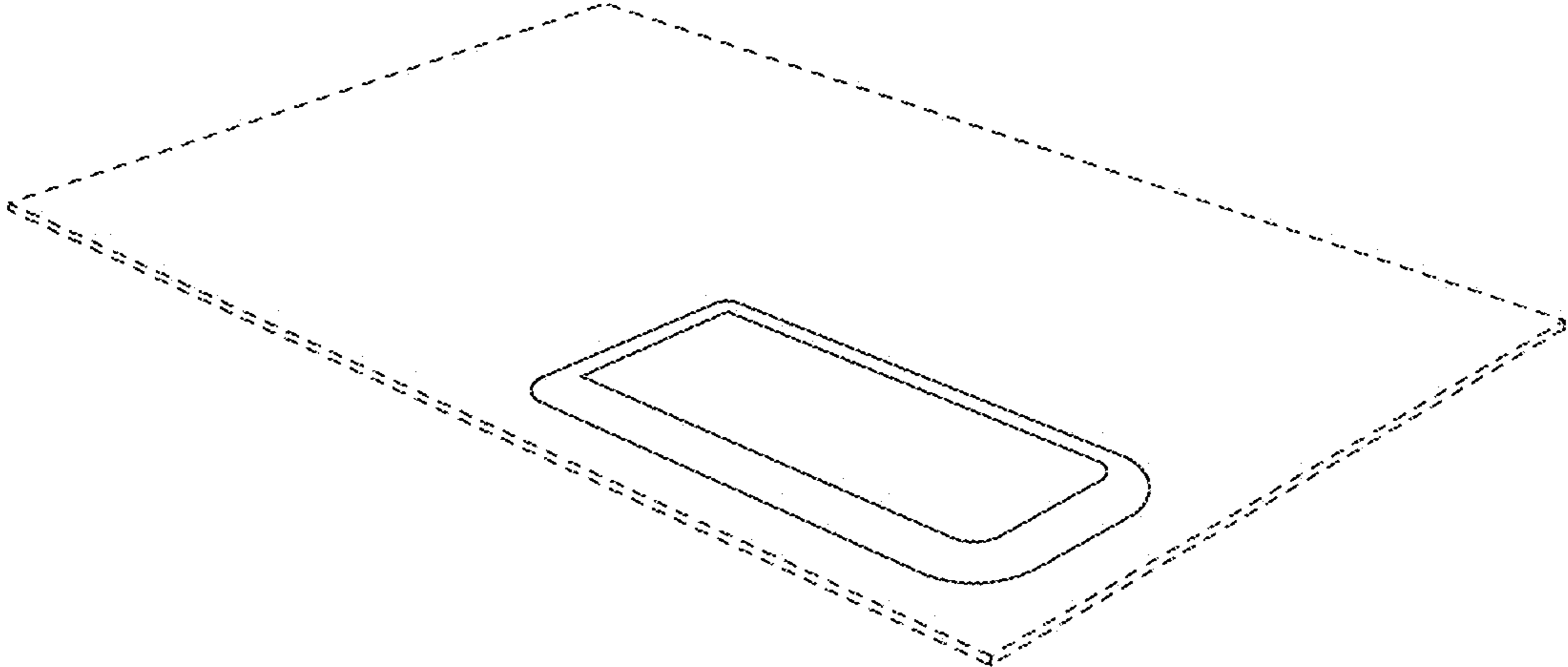


FIG. 9

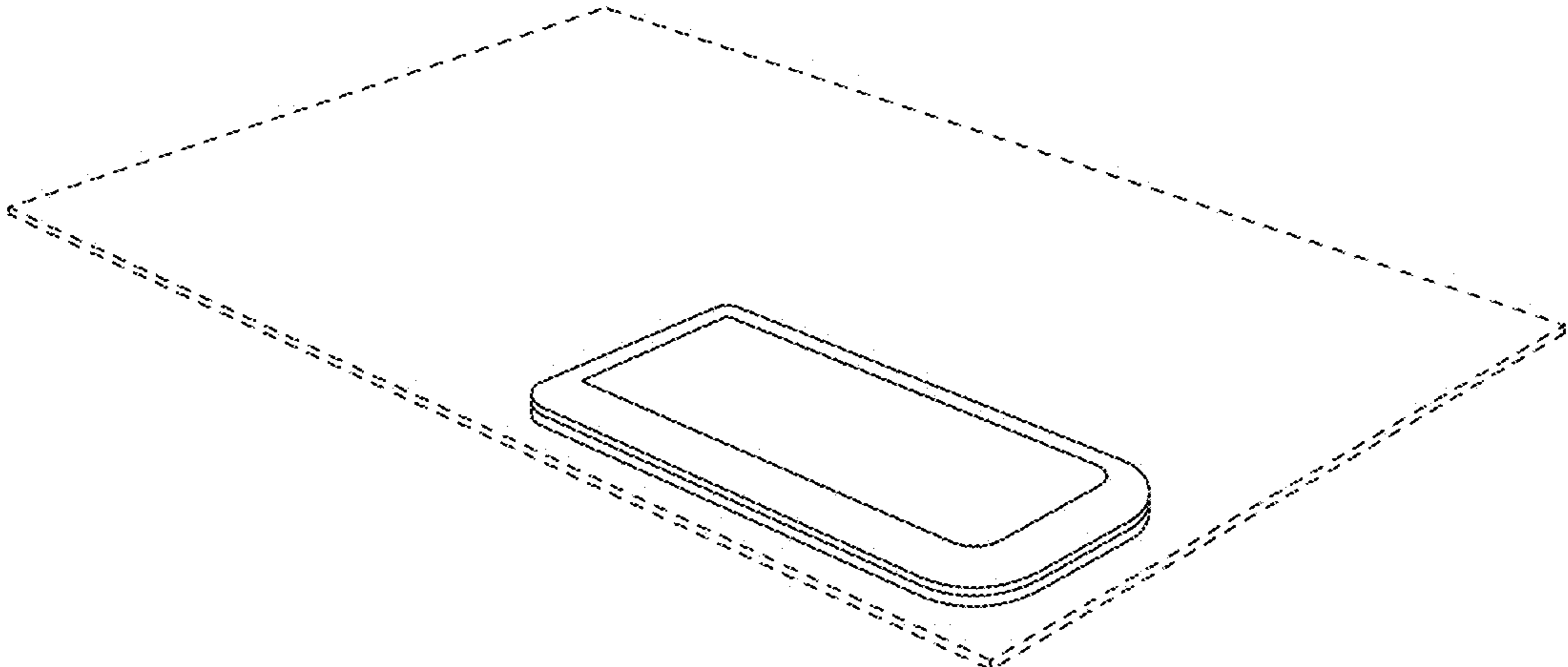


FIG. 10