



US00D687038S

(12) **United States Design Patent**
Chatterjee et al.

(10) **Patent No.:** **US D687,038 S**
(45) **Date of Patent:** **** Jul. 30, 2013**

(54) **DOCKING STATION FOR A COMPUTING DEVICE**

(71) Applicant: **Hewlett-Packard Development Company, L.P.**, Houston, TX (US)

(72) Inventors: **Manjirnath Chatterjee**, San Francisco, CA (US); **Yoshimichi Matsuoka**, Cupertino, CA (US); **Peter Cazalet**, Sunnyvale, CA (US); **William Justin Grange**, San Francisco, CA (US)

(73) Assignee: **Palm, Inc.**, Sunnyvale, CA (US)

(**) Term: **14 Years**

(21) Appl. No.: **29/443,146**

(22) Filed: **Jan. 14, 2013**

Related U.S. Application Data

(60) Division of application No. 29/402,095, filed on Sep. 20, 2011, now Pat. No. Des. 674,391, which is a continuation-in-part of application No. 12/620,478, filed on Nov. 17, 2009.

(51) **LOC (9) Cl.** **14-02**

(52) **U.S. Cl.**
USPC **D14/434**

(58) **Field of Classification Search**
USPC D14/204, 217, 314, 358, 420, 421, D14/447, 432-434; D13/107, 108, 118, 146; 248/176.1, 34.03; 320/109, 112-115; 361/679.4, 679.31-679.33, 679.41, 679.43, 361/679.55; 710/15, 303; 455/556.1-556.2, 455/557

See application file for complete search history.

(56) **References Cited**

U.S. PATENT DOCUMENTS

5,375,226 A	12/1994	Sano et al.
5,455,466 A	10/1995	Parks et al.
D366,470 S	1/1996	Youens et al.
5,596,567 A	1/1997	de Muro et al.
5,600,225 A	2/1997	Goto
5,666,530 A	9/1997	Clark et al.
5,733,313 A	3/1998	Barreras et al.
5,760,580 A	6/1998	Tyren
5,831,348 A	11/1998	Nishizawa
5,958,051 A	9/1999	Renaud et al.
6,006,274 A	12/1999	Hawkins et al.

(Continued)

FOREIGN PATENT DOCUMENTS

CN	1592197 A	3/2005
EP	395469 A2	10/1990

(Continued)

OTHER PUBLICATIONS

U.S. Appl. No. 11/430,786, filed May 8, 2006, Baraban et al.

(Continued)

Primary Examiner — Freda S Nunn

(57) **CLAIM**

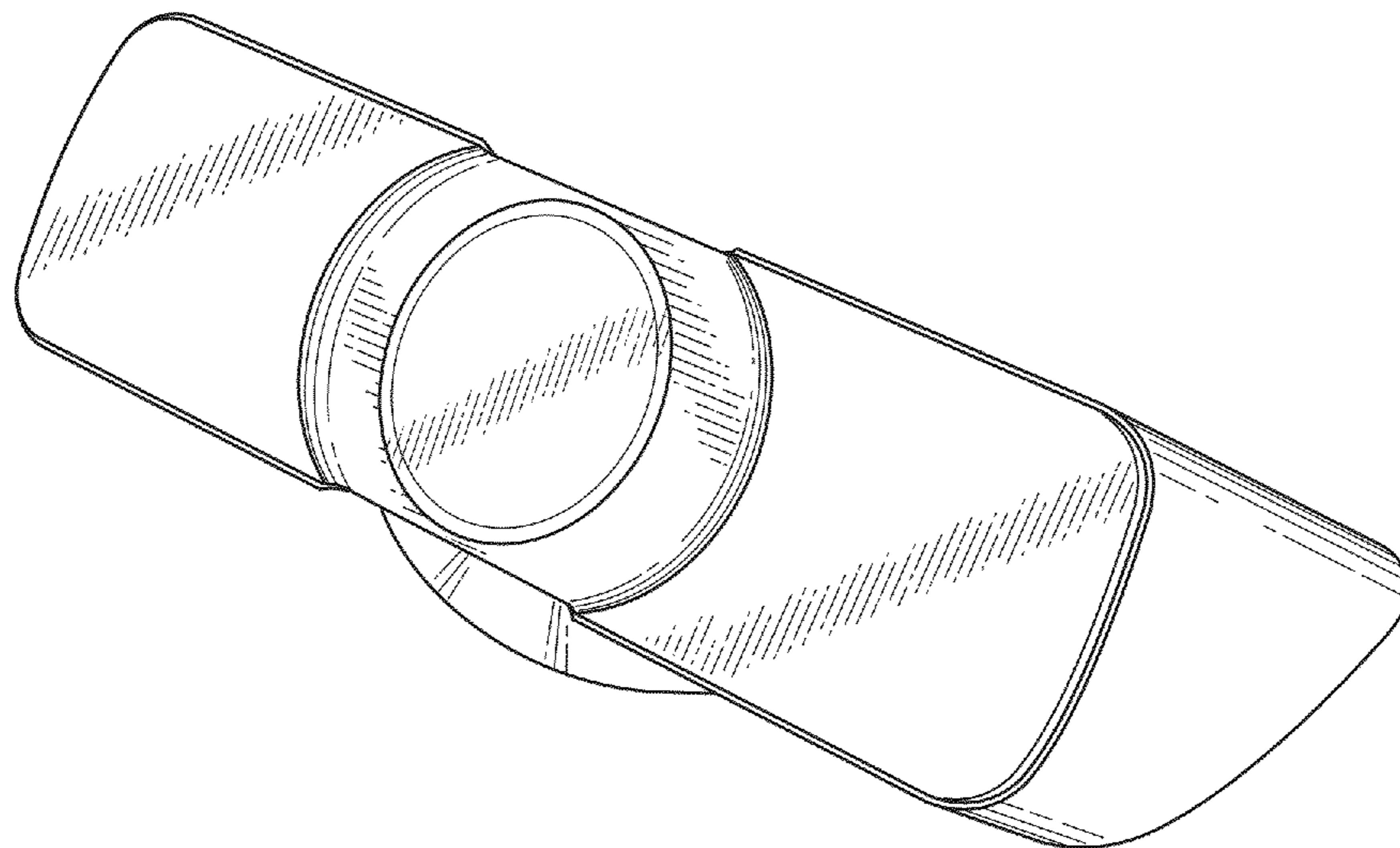
The ornamental design for a docking station for a computing device, as shown and described.

DESCRIPTION

FIG. 1 is a perspective view of a docking station for a computing device;
FIG. 2 is a front view thereof;
FIG. 3 is a rear view thereof;
FIG. 4 is a top view thereof;
FIG. 5 is a bottom view thereof;
FIG. 6 is a right side view thereof; and,
FIG. 7 is a left side view thereof.

The broken lines illustrate surface features and other features of the docking station and form no part of the claimed design.

1 Claim, 4 Drawing Sheets



US D687,038 S

U.S. PATENT DOCUMENTS							
6,138,245	A	10/2000	Son et al.	2004/0130915	A1	7/2004	Baarman
6,184,651	B1	2/2001	Fernandez et al.	2004/0130916	A1	7/2004	Baarman
6,266,539	B1	7/2001	Pardo	2004/0150934	A1	8/2004	Baarman
D448,385	S	9/2001	Oross et al.	2004/0222751	A1	11/2004	Mollema et al.
6,330,436	B1	12/2001	Zidel	2004/0232845	A1	11/2004	Baaran et al.
6,389,423	B1	5/2002	Sakakura	2004/0259499	A1	12/2004	Oba et al.
6,405,049	B2	6/2002	Herrod et al.	2005/0007067	A1	1/2005	Baarman et al.
6,436,299	B1	8/2002	Baarman et al.	2005/0030160	A1	2/2005	Goren et al.
6,445,936	B1	9/2002	Cannon et al.	2005/0093475	A1	5/2005	Kuennen et al.
6,501,364	B1	12/2002	Hui et al.	2005/0116650	A1	6/2005	Baarman
6,510,424	B1	1/2003	Ford et al.	2005/0122058	A1	6/2005	Baarman et al.
6,532,152	B1	3/2003	White et al.	2005/0122059	A1	6/2005	Baarman et al.
6,667,881	B2	12/2003	Oross et al.	2005/0127849	A1	6/2005	Baarman et al.
6,671,700	B1	12/2003	Creemer et al.	2005/0127850	A1	6/2005	Baarman et al.
6,673,250	B2	1/2004	Kuennen et al.	2005/0186903	A1	8/2005	Forbes et al.
6,731,071	B2	5/2004	Baarman	2006/0041420	A1	2/2006	Martin et al.
6,795,110	B1	9/2004	Kossin	2006/0061958	A1	3/2006	Solomon et al.
6,803,744	B1	10/2004	Sabo	2006/0094405	A1	5/2006	Dupont
6,806,649	B2	10/2004	Mollema et al.	2006/0123055	A1	6/2006	Atkinson et al.
6,810,405	B1	10/2004	LaRue et al.	2006/0132045	A1	6/2006	Baarman
6,812,645	B2	11/2004	Baarman	2006/0145660	A1	7/2006	Black et al.
6,825,620	B2	11/2004	Kuennen et al.	2006/0183462	A1	8/2006	Kolehmainen
6,831,417	B2	12/2004	Baarman	2006/0229027	A1	10/2006	Wang et al.
6,850,986	B1	2/2005	Peacock	2006/0258289	A1	11/2006	Dua
6,888,438	B2	5/2005	Hui et al.	2007/0024238	A1	2/2007	Nakade et al.
6,892,052	B2	5/2005	Kotola et al.	2007/0035917	A1	2/2007	Hotelling et al.
6,917,163	B2	7/2005	Baarman	2007/0064406	A1	3/2007	Beart
6,975,198	B2	12/2005	Baarman et al.	2007/0077965	A1	4/2007	Fox
6,986,051	B2	1/2006	Le Pennec et al.	2007/0120752	A1	5/2007	Takasu
7,065,658	B1	6/2006	Baraban et al.	2007/0182367	A1	8/2007	Partovi
7,116,200	B2	10/2006	Baarman et al.	2007/0188284	A1	8/2007	Dobbs
7,118,240	B2	10/2006	Baarman et al.	2007/0246546	A1	10/2007	Yoshida
7,126,450	B2	10/2006	Baarman et al.	2007/0255435	A1	11/2007	Cohen et al.
7,132,918	B2	11/2006	Baarman et al.	2007/0290654	A1	12/2007	Govari et al.
7,149,473	B1	12/2006	Lindlar et al.	2008/0133918	A1	6/2008	You-kuk et al.
7,164,255	B2	1/2007	Hui	2008/0196086	A1	8/2008	Shintani et al.
7,202,783	B2	4/2007	Want et al.	2008/0231537	A1	9/2008	Rofougaran et al.
7,236,742	B2	6/2007	Hall et al.	2008/0269927	A1	10/2008	Szolyga et al.
7,248,017	B2	7/2007	Cheng et al.	2008/0278894	A1	11/2008	Dogmin et al.
7,262,700	B2	8/2007	Hsu	2009/0001932	A1	1/2009	Kamijo et al.
7,271,569	B2	9/2007	Oglesbee	2009/0001941	A1	1/2009	Hsu et al.
7,286,880	B2	10/2007	Olson et al.	2009/0008148	A1	1/2009	Mashino
7,313,364	B2	12/2007	Morimoto	2009/0069869	A1	3/2009	Stouffer et al.
7,331,793	B2	2/2008	Hernandez et al.	2009/0088077	A1	4/2009	Brown et al.
7,352,567	B2	4/2008	Hotelling et al.	2009/0096413	A1	4/2009	Partovi et al.
7,375,492	B2	5/2008	Calhoon et al.	2009/0106567	A1	4/2009	Baarman
7,382,636	B2	6/2008	Baarman et al.	2009/0170433	A1	7/2009	Rhodes et al.
7,385,357	B2	6/2008	Kuennen et al.	2009/0193500	A1	7/2009	Griffin et al.
7,392,059	B2	6/2008	White et al.	2009/0199219	A1	8/2009	Rofougaran et al.
7,414,380	B2	8/2008	Tang et al.	2009/0203399	A1	8/2009	Rofougaran
7,446,672	B2	11/2008	Johnson et al.	2009/0212637	A1	8/2009	Baarman et al.
7,454,170	B2	11/2008	Goossens et al.	2009/0212737	A1	8/2009	Johnson et al.
7,462,951	B1	12/2008	Baarman	2009/0233623	A1	9/2009	Johnson
7,471,200	B2	12/2008	Otranen	2010/0007449	A1	1/2010	Tait et al.
7,471,986	B2	12/2008	Hatlestad	2010/0021176	A1	1/2010	Holcombe et al.
7,495,414	B2	2/2009	Hui	2010/0023204	A1	1/2010	Basir et al.
7,509,432	B1	3/2009	Peacock	2010/0045269	A1	2/2010	LaFranchise et al.
7,521,890	B2	4/2009	Lee et al.	2010/0070219	A1	3/2010	Azancot et al.
7,565,108	B2	7/2009	Kotola et al.	2010/0076524	A1	3/2010	Forsberg et al.
7,576,514	B2	8/2009	Hui	2010/0081377	A1	4/2010	Chatterjee et al.
7,576,657	B2	8/2009	Duron et al.	2010/0081473	A1	4/2010	Chatterjee et al.
7,743,151	B2	6/2010	Vallapureddy et al.	2010/0081483	A1	4/2010	Chatterjee et al.
7,751,810	B1	7/2010	Bernoske et al.	2010/0083012	A1	4/2010	Corbridge et al.
7,791,311	B2	9/2010	Sagoo	2010/0093279	A1	4/2010	Linsky et al.
7,800,044	B1	9/2010	Kahn et al.	2010/0233623	A1	9/2009	Johnson
7,855,529	B2	12/2010	Liu	2010/0007449	A1	1/2010	Tait et al.
D640,976	S	7/2011	Matsuoka	2010/0021176	A1	1/2010	Holcombe et al.
D641,367	S	7/2011	Morabito	2010/0023204	A1	1/2010	Basir et al.
8,026,693	B2	9/2011	Burley	2010/0045269	A1	2/2010	LaFranchise et al.
8,026,694	B2	9/2011	Kamijo et al.	2010/0070219	A1	3/2010	Azancot et al.
D674,391	S *	1/2013	Chatterjee et al. D14/434	2010/0076524	A1	3/2010	Forsberg et al.
2002/0065045	A1	5/2002	Kim	2010/0081377	A1	4/2010	Chatterjee et al.
2002/0084698	A1	7/2002	Kelly et al.	2010/0081473	A1	4/2010	Chatterjee et al.
2002/0103008	A1	8/2002	Rahn et al.	2010/0081483	A1	4/2010	Chatterjee et al.
2003/0092389	A1	5/2003	Morimoto	2010/0083012	A1	4/2010	Corbridge et al.
2003/0214255	A1	11/2003	Baarman et al.	2010/0093279	A1	4/2010	Linsky et al.
2003/0233455	A1	12/2003	Leber et al.	2010/0121965	A1	5/2010	Chatterjee
2004/0088012	A1	5/2004	Kroll et al.	2010/0131691	A1	5/2010	Chatterjee et al.
				2010/0146308	A1	6/2010	Gioscia et al.
				2010/0156193	A1	6/2010	Rhodes et al.
				2010/0172090	A1	7/2010	Chatterjee
				2010/0174801	A1	7/2010	Tabaaloute
				2010/0177476	A1	7/2010	Hotelling et al.
				2010/0194336	A1	8/2010	Azancot et al.
				2010/0198453	A1	8/2010	Dorogusker et al.
				2010/0211785	A1	8/2010	Park et al.
				2010/0250986	A1	9/2010	Black et al.
				2010/0283599	A1	11/2010	Ma et al.
				2011/0076941	A1	3/2011	Taveau et al.
				2012/0077432	A1	3/2012	Rose et al.

FOREIGN PATENT DOCUMENTS

FR	2601161	A1	1/1998
GB	2389720	B	9/2005
GB	2399466	B	11/2005
GB	2389767	B	4/2006
JP	09-259241	A	10/1997
JP	11-354348	A	12/1999
JP	3161388	B2	2/2001
KR	10-0836634		6/2008
KR	10-0863420	B1	10/2008
KR	10-2010-0136255	A	12/2010
WO	WO-95-003686	A1	2/1995
WO	WO-2005-024865	A2	3/1995
WO	WO-2004-098079	A1	11/2004
WO	WO-2008-033670	A2	3/2008
WO	WO-2008-044875	A1	4/2008
WO	WO-2008-133806	A1	11/2008
WO	WO-2009-057771	A1	5/2009
WO	WO-2010-005324	A1	1/2010
WO	WO-2010-062198	A1	6/2010
WO	WO-2010-068062	A2	6/2010
WO	2010-077994	A2	7/2010
WO	WO-2010-068062	A3	7/2010
WO	WO-2010-091269	A1	8/2010

OTHER PUBLICATIONS

U.S. Appl. No. 12/628,401, filed Dec. 1, 2009, Chatterjee.
 U.S. Appl. No. 12/840,241, filed Jul. 20, 2010, Chatterjee.
 U.S. Appl. No. 12/841,001, filed Jul. 21, 2010, Chatterjee.
 U.S. Appl. No. 12/916,388, filed Oct. 29, 2010, Chatterjee et al.
 U.S. Appl. No. 12/975,335, filed Dec. 21, 2010, Oh et al.
 U.S. Appl. No. 12/987,940, filed Jan. 10, 2011, Chatterjee et al.
 U.S. Appl. No. 29/323,686, filed Aug. 28, 2008, Matsuoka et al.
 U.S. Appl. No. 29/323,688, filed Aug. 28, 2008, Matsuoka.
 AdvancedCardSystems, "ACR122U NFC Contactless Smart Card Reader—URL Transfer," available at URL < <http://www.youtube.com/watch?USImfpCZaTo> >, uploaded Oct. 12, 2010.

Extended European Search Report, European Application No. 11186983.0, Apr. 24, 2012, pp. 1-15.
 Hui et al., "A New Generation of Universal Contactless Battery Charging Platform for Portable Consumer Electronic Equipment," IEEE Trans Power Electronics, 20(3):620-627 (2005).
 International Search Report and Written Opinion dated Aug. 20, 2010 in International Application No. PCT/US2009/069847.
 International Search Report and Written Opinion dated Aug. 31, 2010 in International Application No. PCT/US2010/020054.
 International Search Report and Written Opinion dated Apr. 20, 2010 in International Application No. PCT/US2009/055928.
 International Search Report and Written Opinion dated Jul. 21, 2010 in International Application No. PCT/US2009/068328.
 International Search Report and Written Opinion dated Jul. 28, 2010 in International Application No. PCT/US2009/068332.
 International Search Report and Written Opinion mailed May 16, 2012, issued in PCT Application No. PCT/US2011/058449.
 International Search Report and Written Opinion, International Application No. PCT/US2012/024202, Date of Completion: Apr. 26, 2012, Date of Mailing: Apr. 27, 2012, pp. 1-9.
 Kean, Steven, "Powermat Portable Wireless Charging Mat," pp. 1-12 downloaded from http://www.bigbruin.com/content/powermat_1 on Sep. 29, 2010.
 Liang et al., "An implantable bi-directional wireless transmission system for transcutaneous biological signal recording," Physiol. Meas. 26:83-97 (2005).
 Mel B. W. et al., "Tablet: Personal Computer in the Year 2000", Communications of the Association for Computing Machinery, New York, NY, vol. 31, No. 6, Jun. 1, 1988, 639-646 XP000047633ISSN: 0001-0782.
 Opticon Users Manual DWT 7133, Nov. 2000.

* cited by examiner

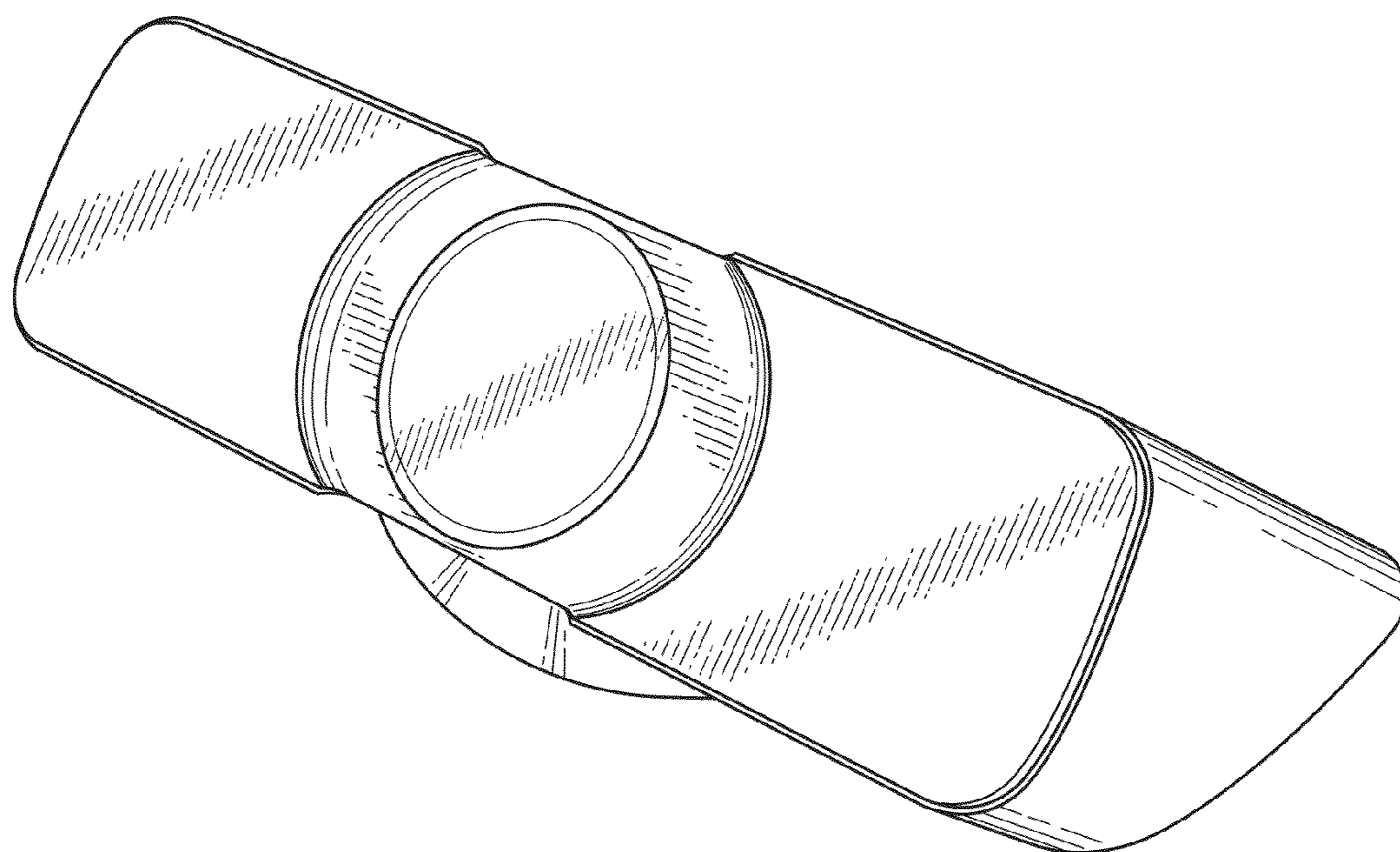


FIG. 1

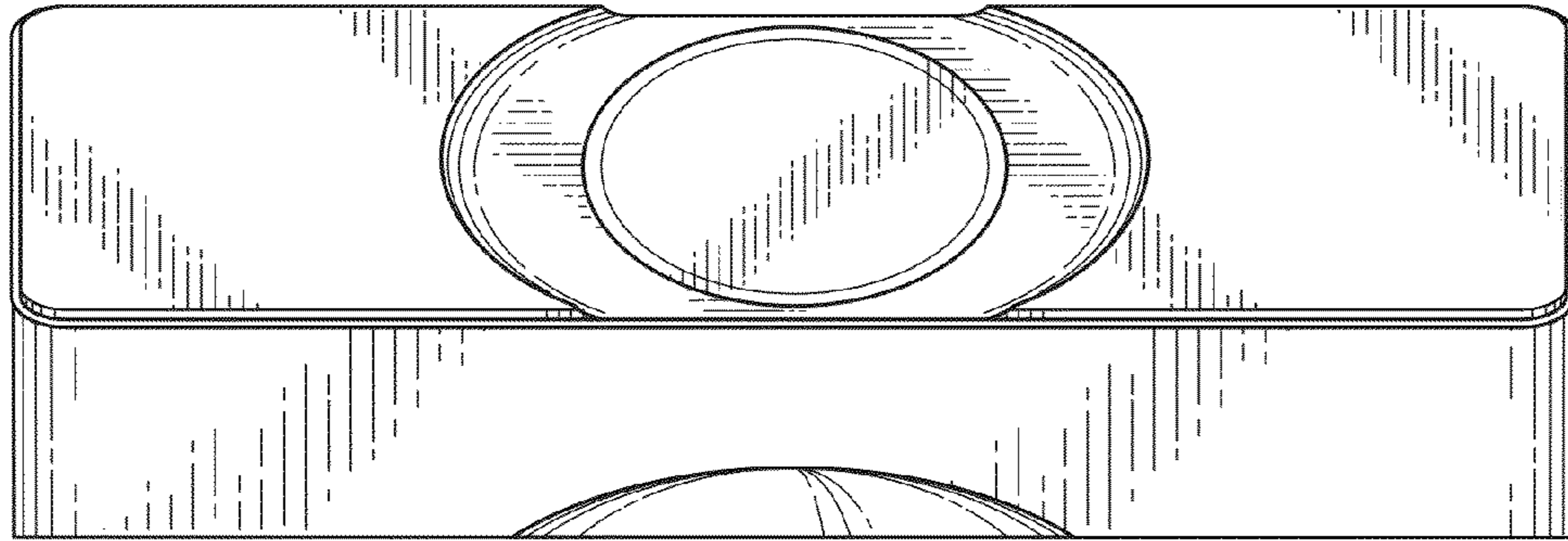


FIG. 2

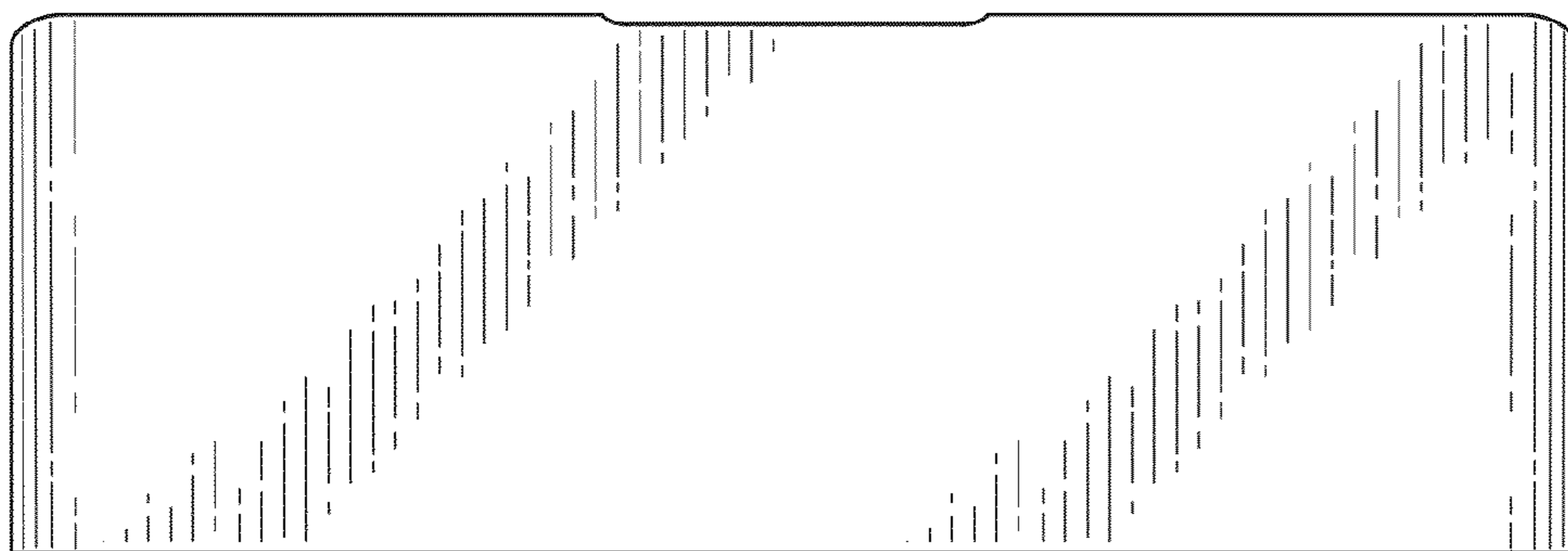


FIG. 3

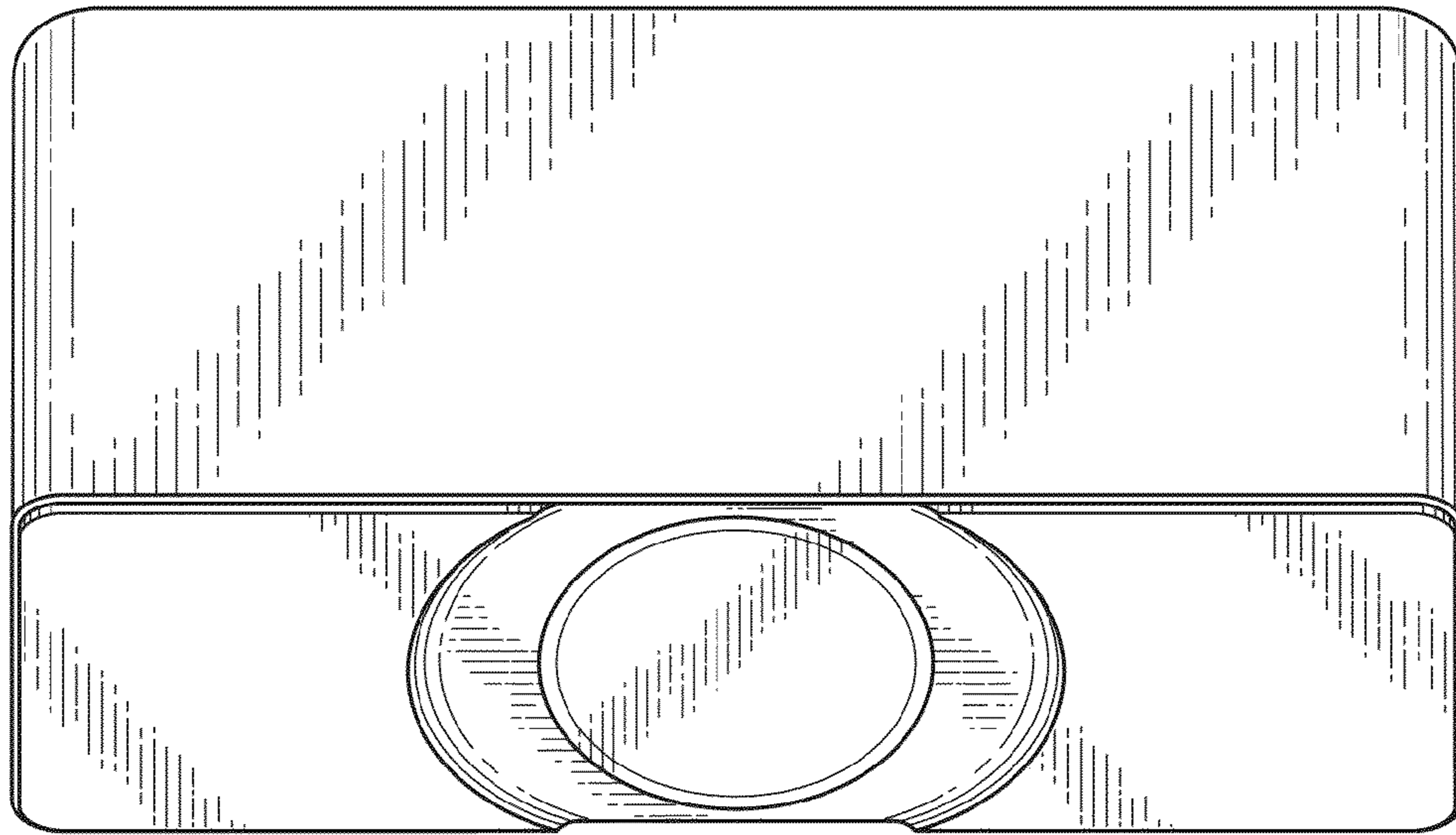


FIG. 4

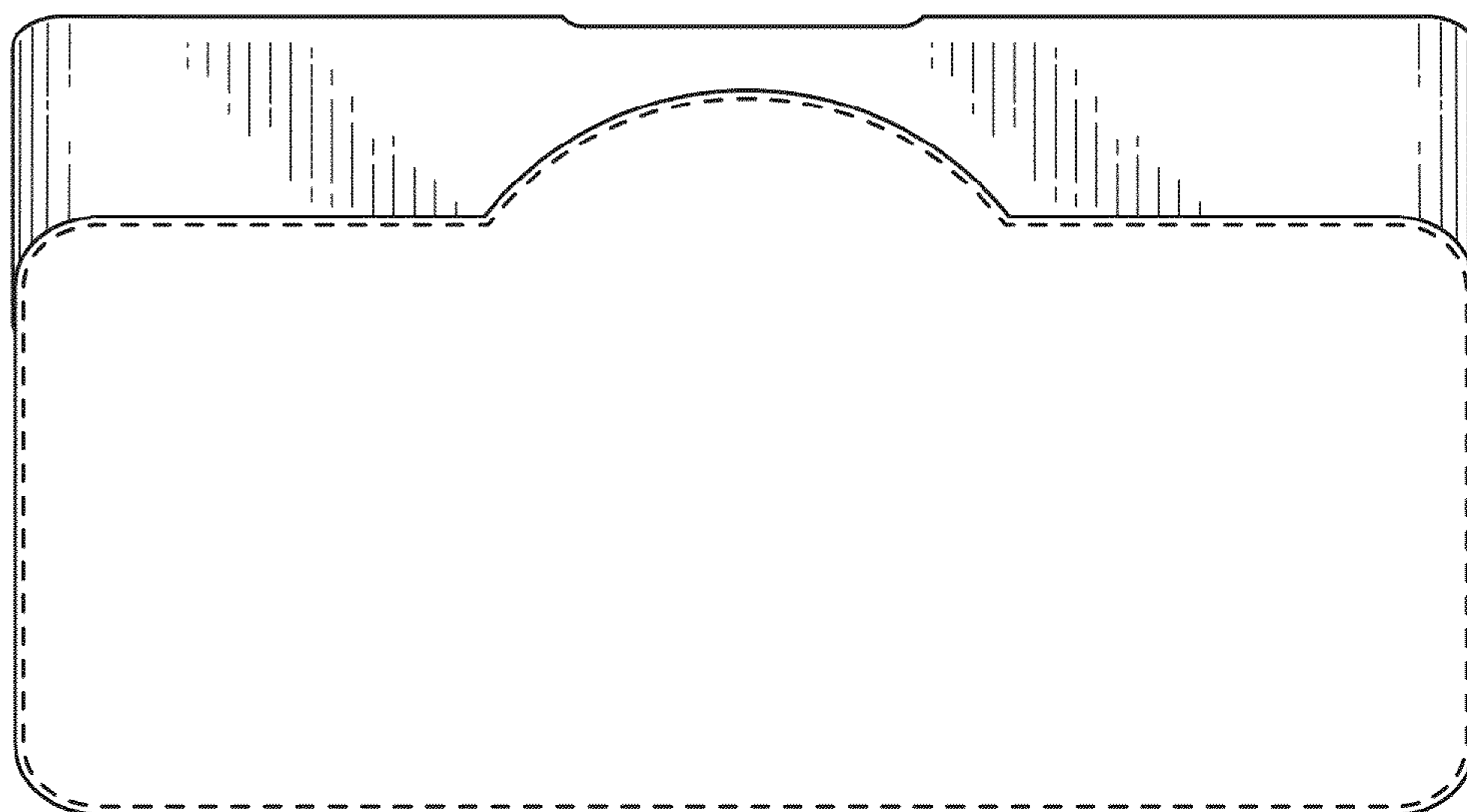


FIG. 5

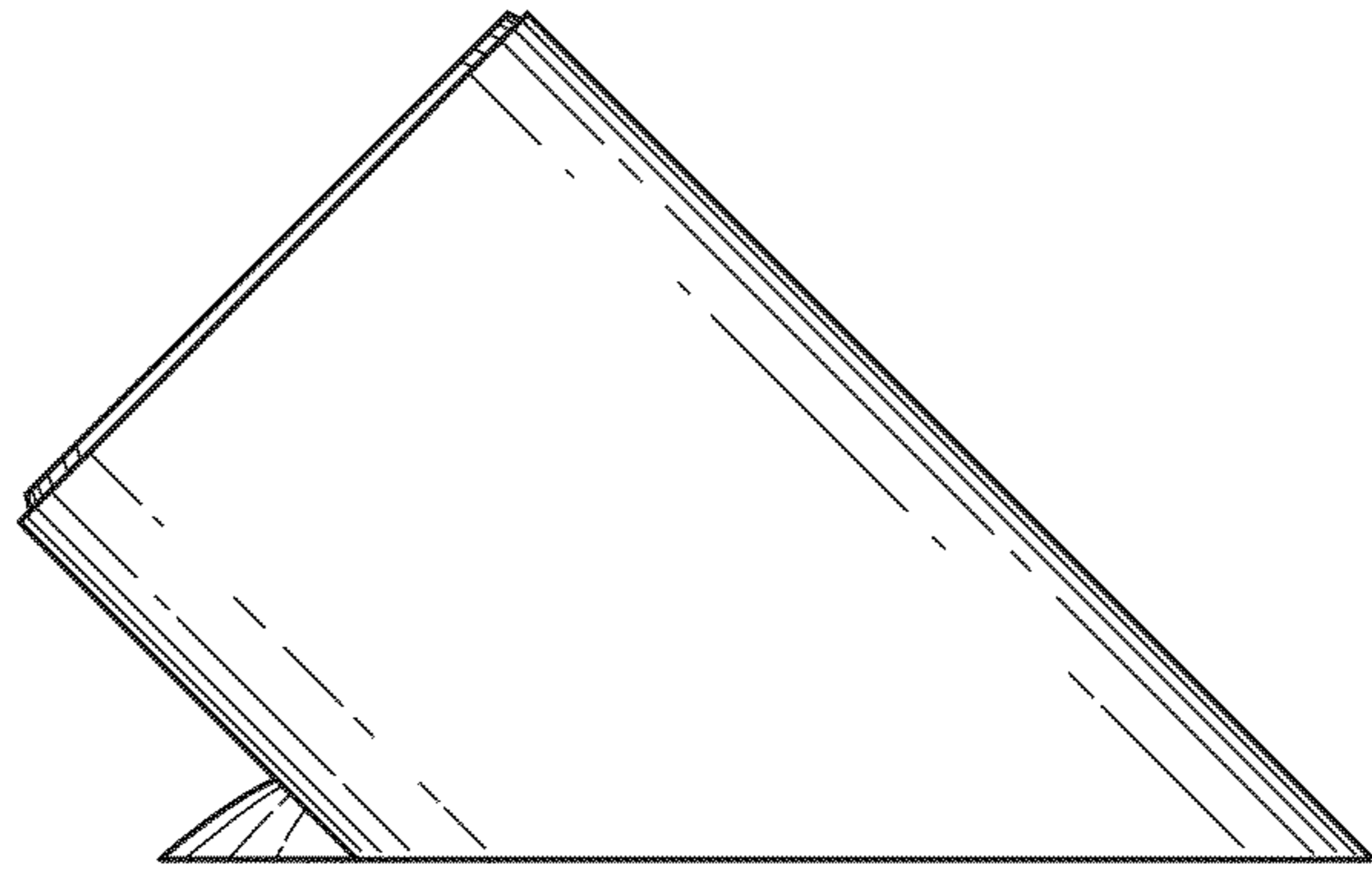


FIG. 6

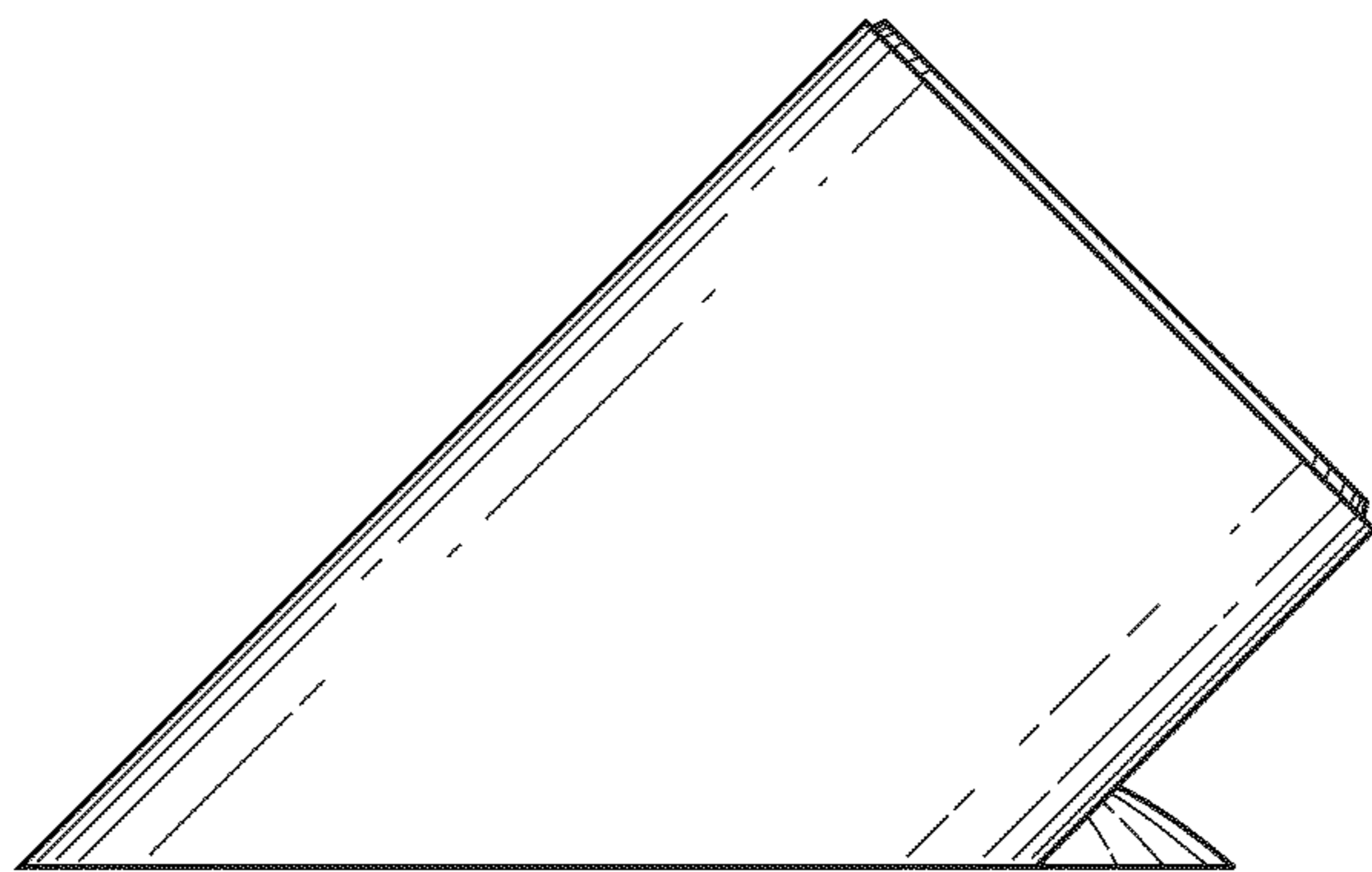


FIG. 7