

US00D687037S

(12) **United States Design Patent**
Zhou et al.

(10) **Patent No.:** **US D687,037 S**
(45) **Date of Patent:** **** Jul. 30, 2013**

(54) **DOCK STATION**
(75) Inventors: **Hai-Qing Zhou**, Shenzhen (CN); **Yi-Xin Tu**, Shenzhen (CN)
(73) Assignee: **Hon Hai Precision Industry Co., Ltd.**, New Taipei (TW)

6,744,627 B2 * 6/2004 Won et al. 361/679.57
D540,804 S * 4/2007 Hibino et al. D14/434
D579,451 S * 10/2008 Ward et al. D14/434
D602,485 S * 10/2009 Ting et al. D14/318
D643,842 S * 8/2011 Marshall et al. D14/434
D662,938 S * 7/2012 Marshall et al. D14/434

* cited by examiner

(**) Term: **14 Years**

Primary Examiner — Freda S Nunn

(21) Appl. No.: **29/430,325**

(74) *Attorney, Agent, or Firm* — Altis Law Group, Inc.

(22) Filed: **Aug. 23, 2012**

(51) **LOC (9) Cl.** **14-02**

(52) **U.S. Cl.**

USPC **D14/434**

(58) **Field of Classification Search**

USPC D14/217, 432, 434, 315, 318; D8/373;
D13/107, 108, 146; 248/176.1; 320/109,
320/112–115; 361/679.4, 679.31–679.33,
361/679.41, 679.43, 679.55, 679.57, 679.27;
455/557; 710/15, 303

See application file for complete search history.

(56) **References Cited**

U.S. PATENT DOCUMENTS

6,067,224 A * 5/2000 Nobuchi 361/679.27
6,122,152 A * 9/2000 Goto et al. 361/1
D491,934 S * 6/2004 Shimano et al. D14/318

(57) **CLAIM**

The ornamental design for a dock station, as shown and described.

DESCRIPTION

FIG. 1 is a perspective view of a dock station showing our new design;

FIG. 2 is a front elevational view thereof;

FIG. 3 is a rear elevational view thereof;

FIG. 4 is a right-side, elevational view thereof;

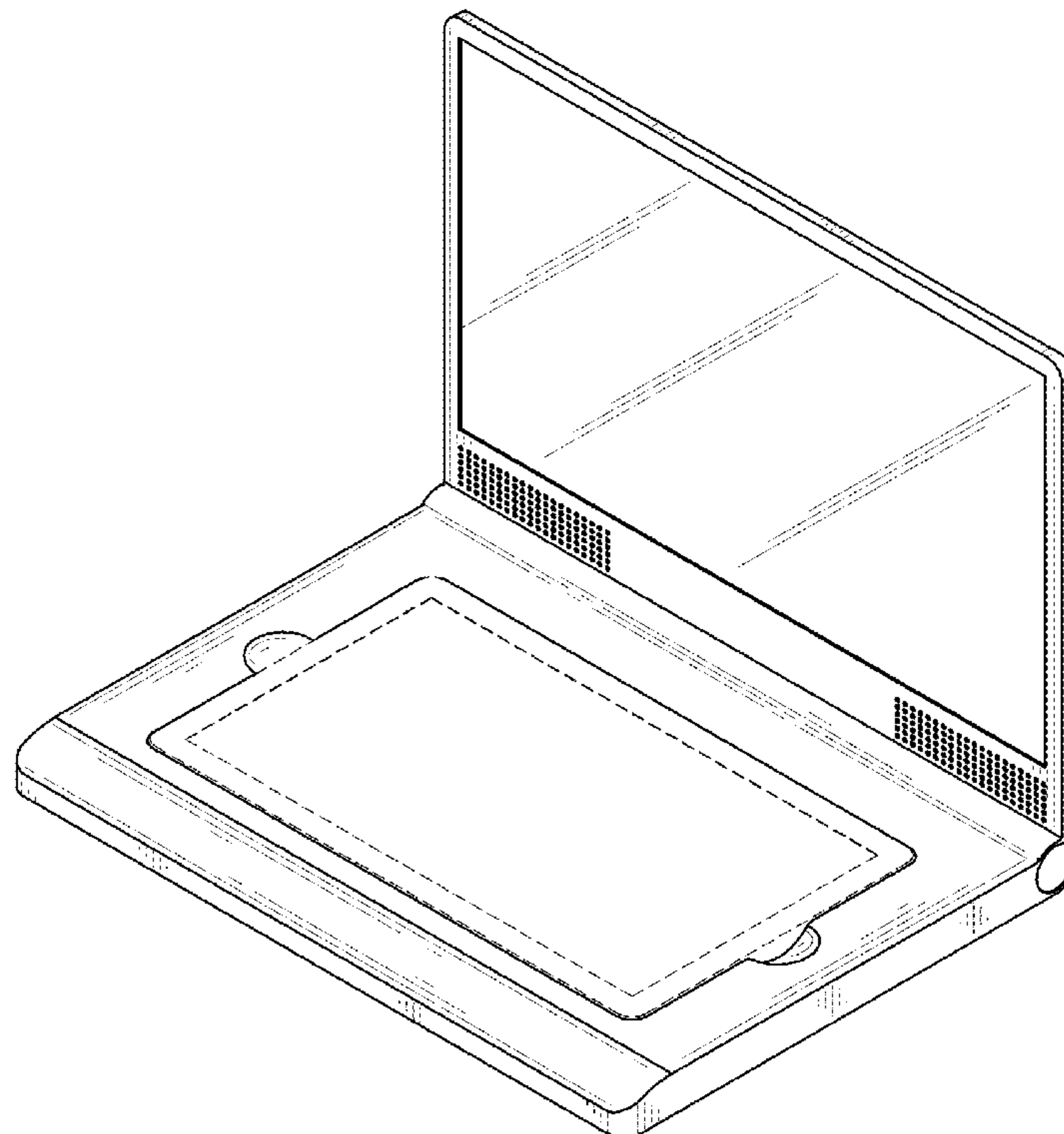
FIG. 5 is a top plan view thereof; and,

FIG. 6 is a perspective view thereof shown in use with a tablet computer being connected to the dock station.

The left side view is a mirror image of the right side view.

Also, the broken lines in the drawings are directed to environment only and form no part of the claimed design.

1 Claim, 6 Drawing Sheets



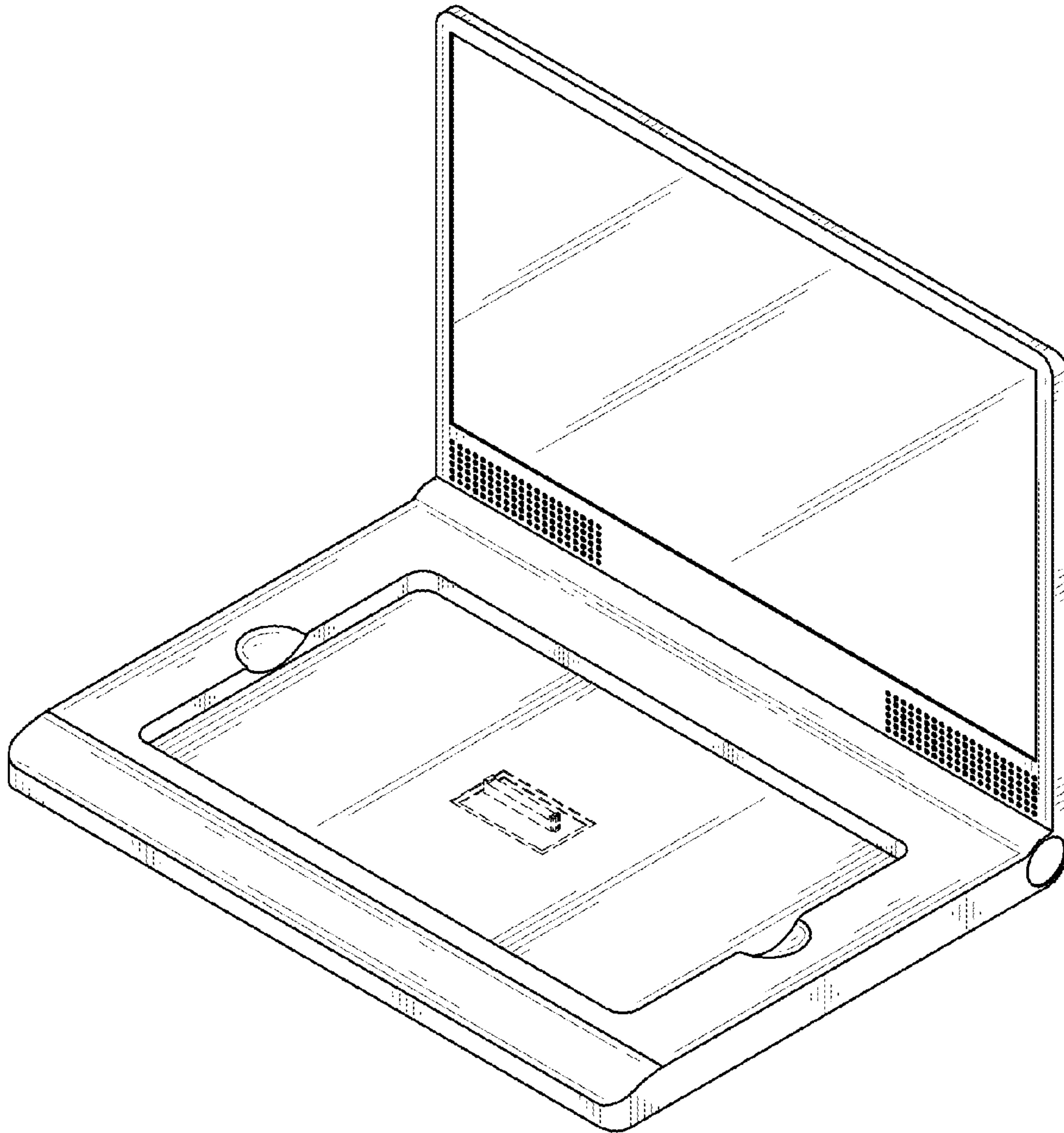


FIG. 1

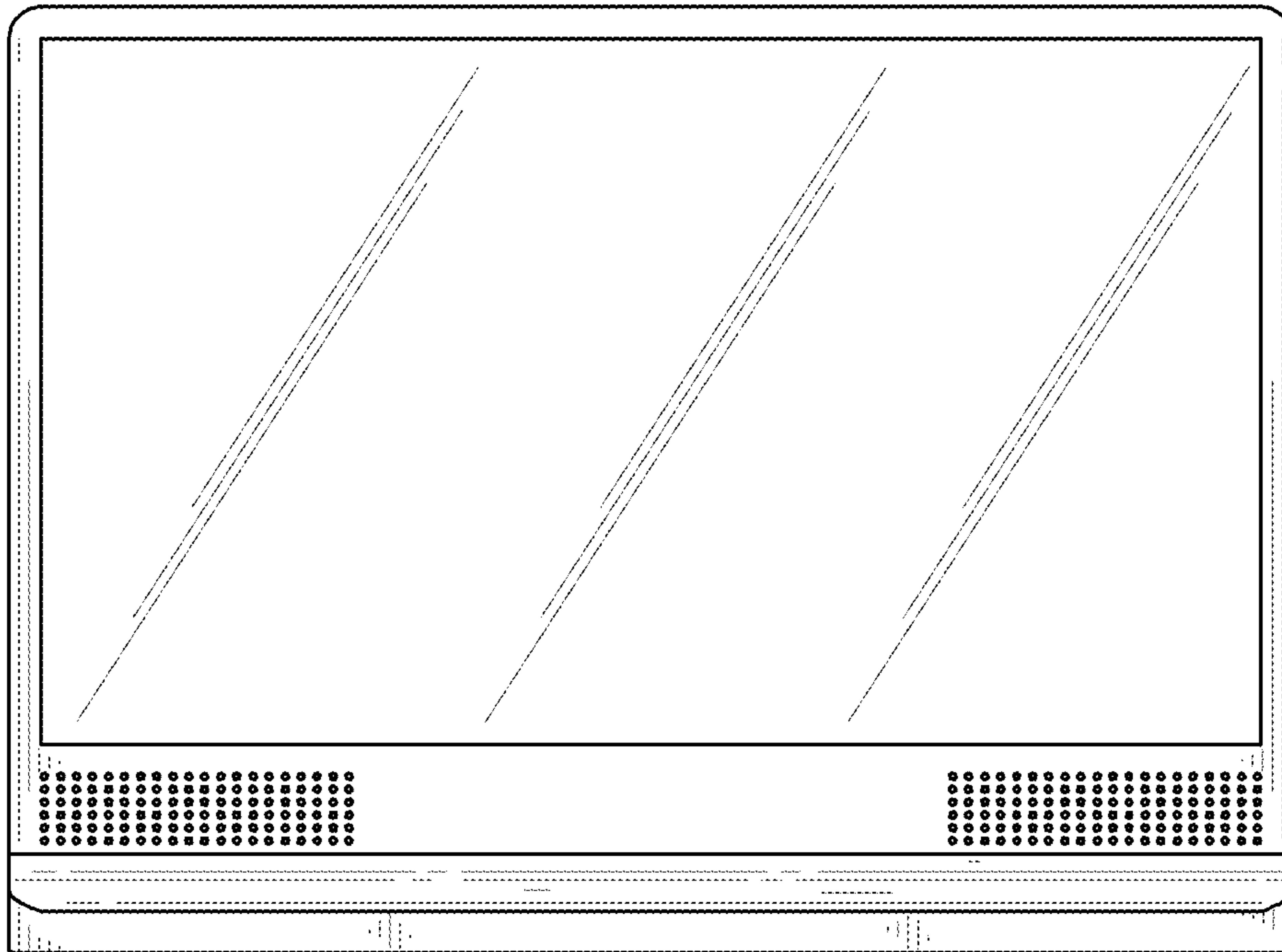


FIG. 2

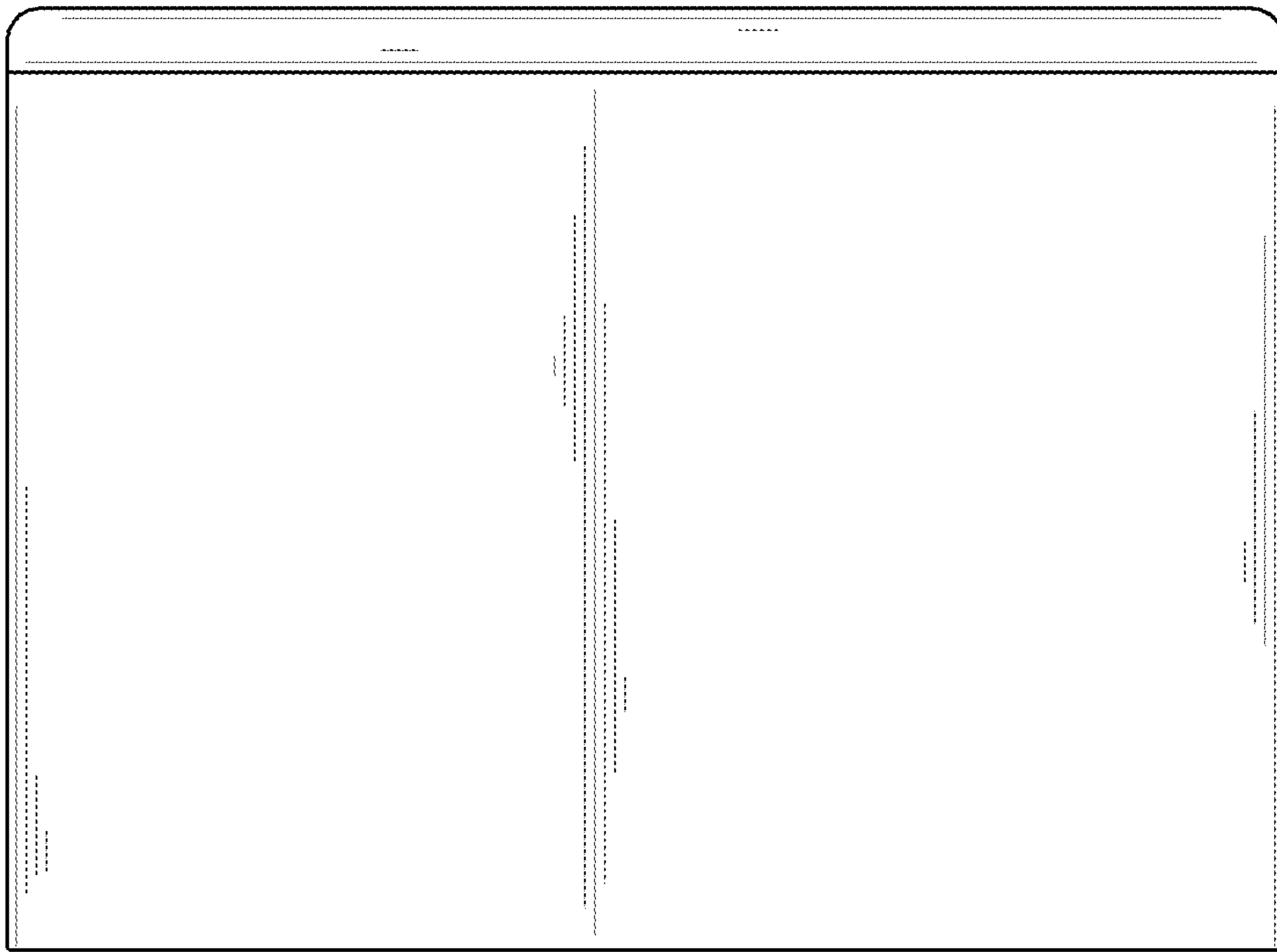


FIG. 3

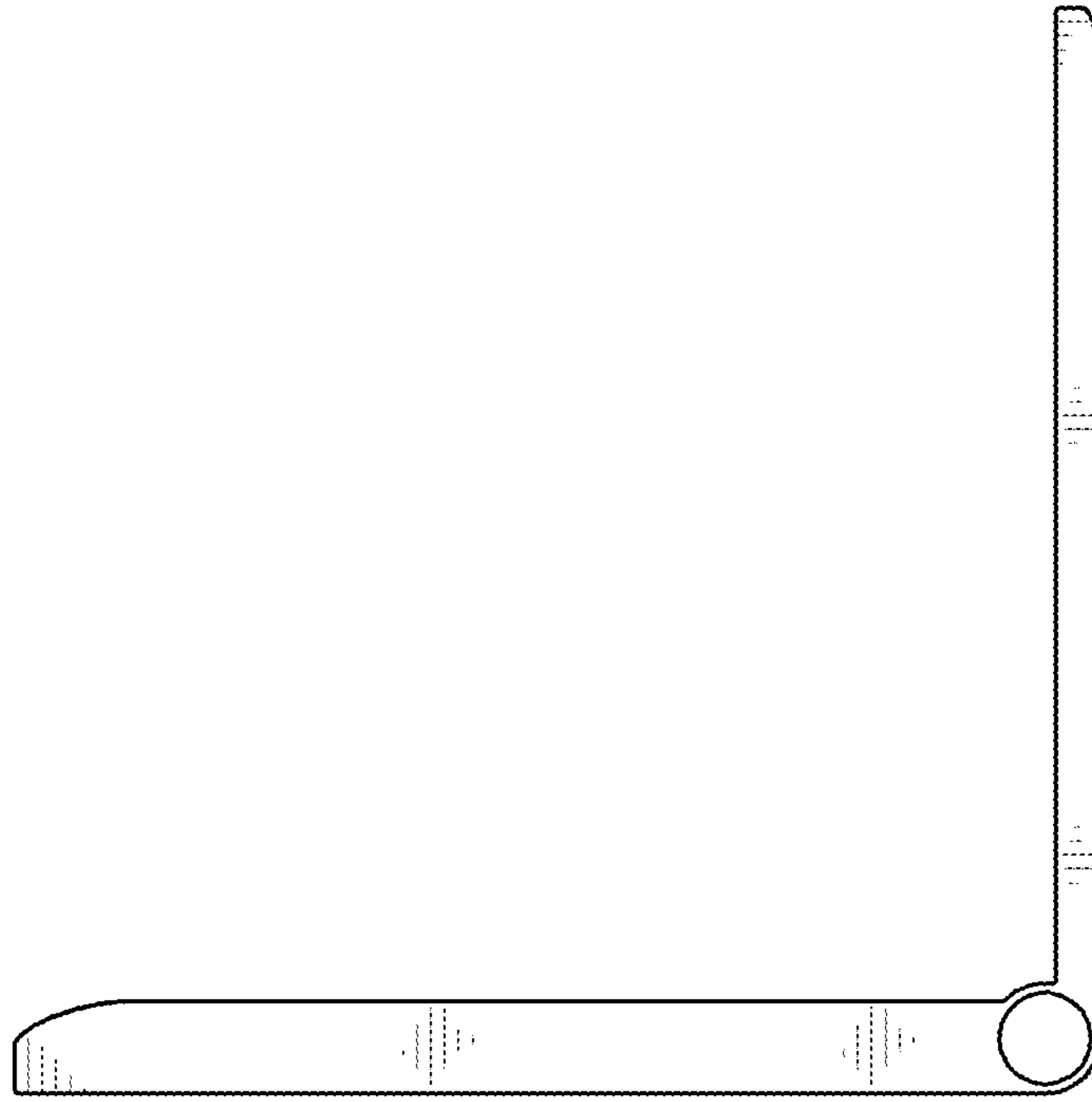


FIG. 4

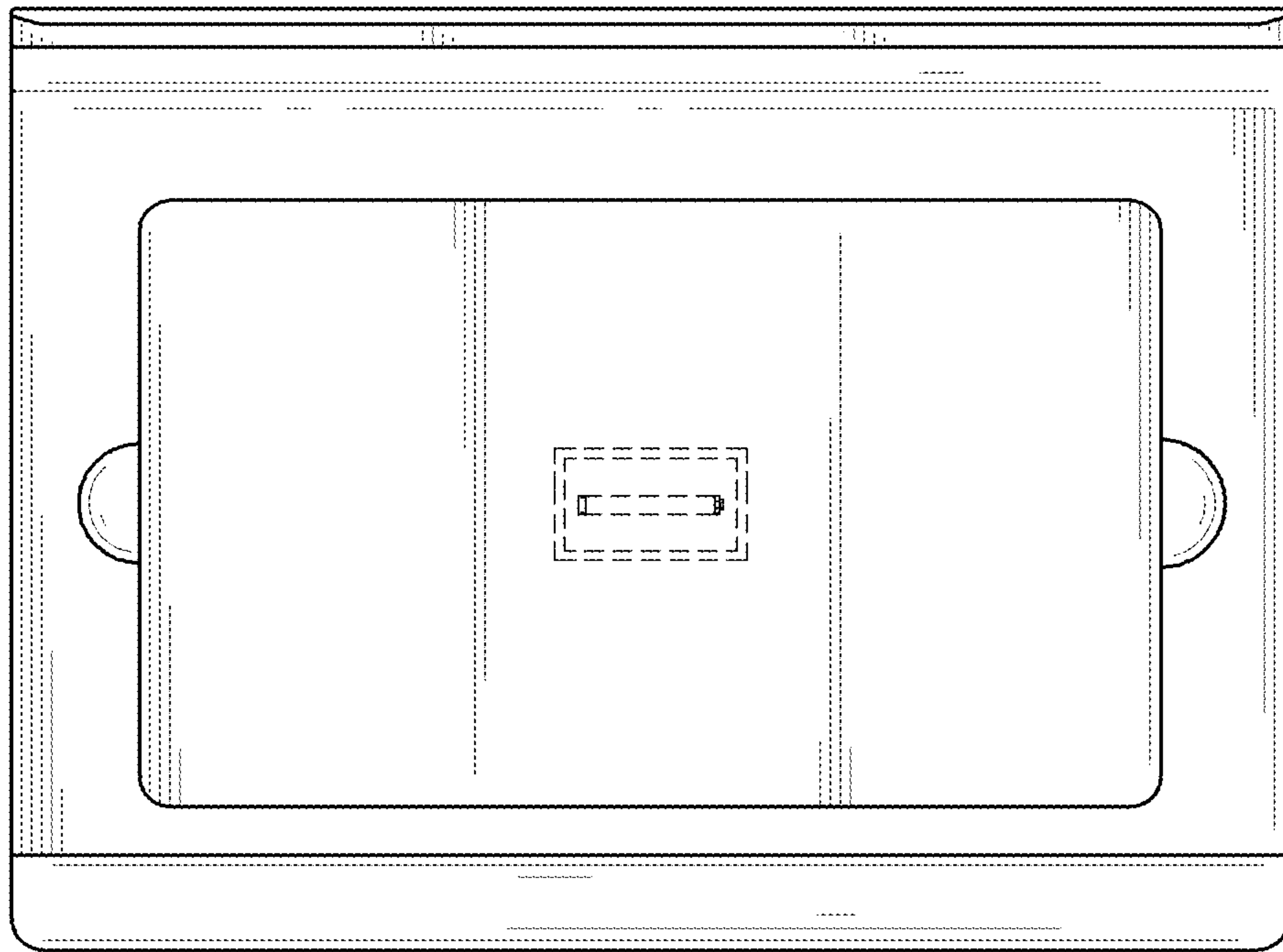


FIG. 5

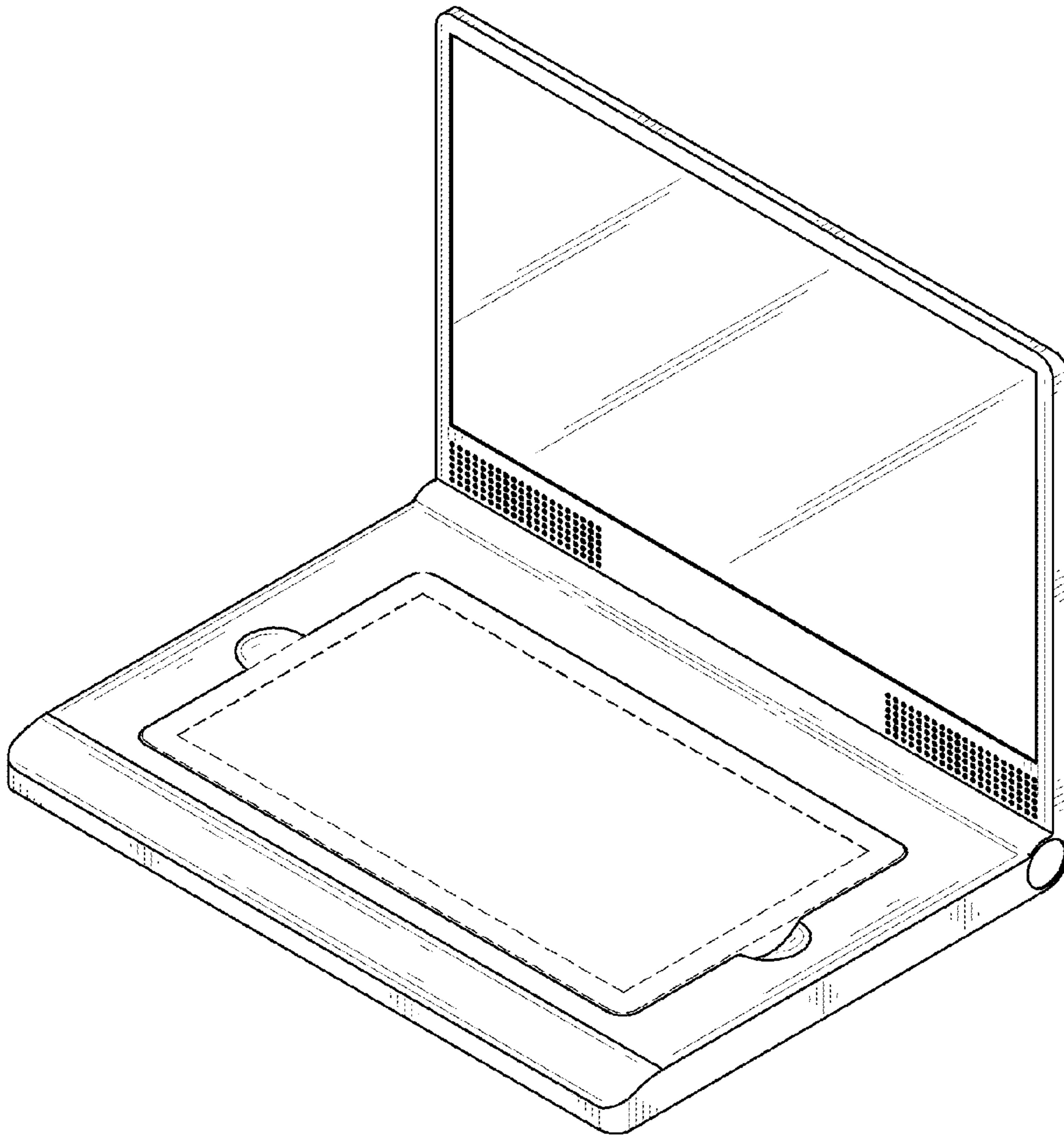


FIG. 6