



US00D687035S

(12) **United States Design Patent**
Reeves et al.

(10) **Patent No.:** **US D687,035 S**

(45) **Date of Patent:** **** *Jul. 30, 2013**

(54) **DUAL SCREEN ELECTRONIC DEVICE**

(75) Inventors: **Brian Reeves**, Hamilton (CA); **Richard Teltz**, Hamilton (CA)

(73) Assignee: **Z124**, George Town (KY)

(*) Notice: This patent is subject to a terminal disclaimer.

(**) Term: **14 Years**

(21) Appl. No.: **29/406,773**

(22) Filed: **Nov. 18, 2011**

(51) **LOC (9) Cl.** **14-02**

(52) **U.S. Cl.**
USPC **D14/345**

(58) **Field of Classification Search**
USPC D14/341-347, 336, 337, 371, 374,
D14/138, 496; D10/65; 345/173, 901, 104,
345/133, 156, 168; 348/180, 184, 325, 739,
348/373, 376; 385/88; 710/62; 455/575.3,
455/575.1

See application file for complete search history.

(56) **References Cited**

U.S. PATENT DOCUMENTS

D428,004	S	*	7/2000	Colvin	D14/345
D441,025	S	*	4/2001	Obata	D14/371
D445,787	S	*	7/2001	Francis	D14/345
D493,463	S	*	7/2004	Takahashi	D14/373
D499,095	S	*	11/2004	Balarezo	D14/345
D585,444	S	*	1/2009	Verschoor	D14/345
D587,704	S	*	3/2009	McCoy	D14/345
D618,683	S	*	6/2010	Wilson et al.	D14/371
D624,517	S	*	9/2010	Lee et al.	D14/138 AB
D626,124	S	*	10/2010	Chyan et al.	D14/341
D631,455	S	*	1/2011	Kim et al.	D14/138 AB
D639,806	S	*	6/2011	Lee et al.	D14/345
2009/0231233	A1	*	9/2009	Liberatore	345/1.3

OTHER PUBLICATIONS

Prototype dual-screened 2-in-1 Android smartpad, posted Jun. 23, 2011 [online], [retrieved Nov. 29, 2011]. Retrieved from Internet, <http://www.engadget.com>.*

U.S. Appl. No. 29/406,771, filed Nov. 18, 2011, Reeves et al.

U.S. Appl. No. 29/406,763, filed Nov. 18, 2011, Reeves et al.

U.S. Appl. No. 29/406,760, filed Nov. 18, 2011, Reeves et al.

U.S. Appl. No. 29/406,759, filed Nov. 18, 2011, Reeves et al.

Notice of Allowance for Chinese Patent Application No. 201230178500.6, dated Oct. 12, 2012 with English translation, 5 pages.

Notice of Allowance for Chinese Patent Application No. 201230178485.5, dated Dec. 4, 2012 with English translation, 5 pages.

Notice of Allowance for Chinese Patent Application No. 201230178505.9, dated Nov. 20, 2012 with English translation, 5 pages.

(Continued)

Primary Examiner — Barbara Fox

(74) *Attorney, Agent, or Firm* — Sheridan Ross P.C.

(57) **CLAIM**

The ornamental design for a dual screen electronic device, as shown and described.

DESCRIPTION

FIG. 1 is a front perspective view of the dual screen electronic device showing the new design;

FIG. 2 is a top plan view thereof;

FIG. 3 is a left elevation view thereof;

FIG. 4 is a front elevation view thereof;

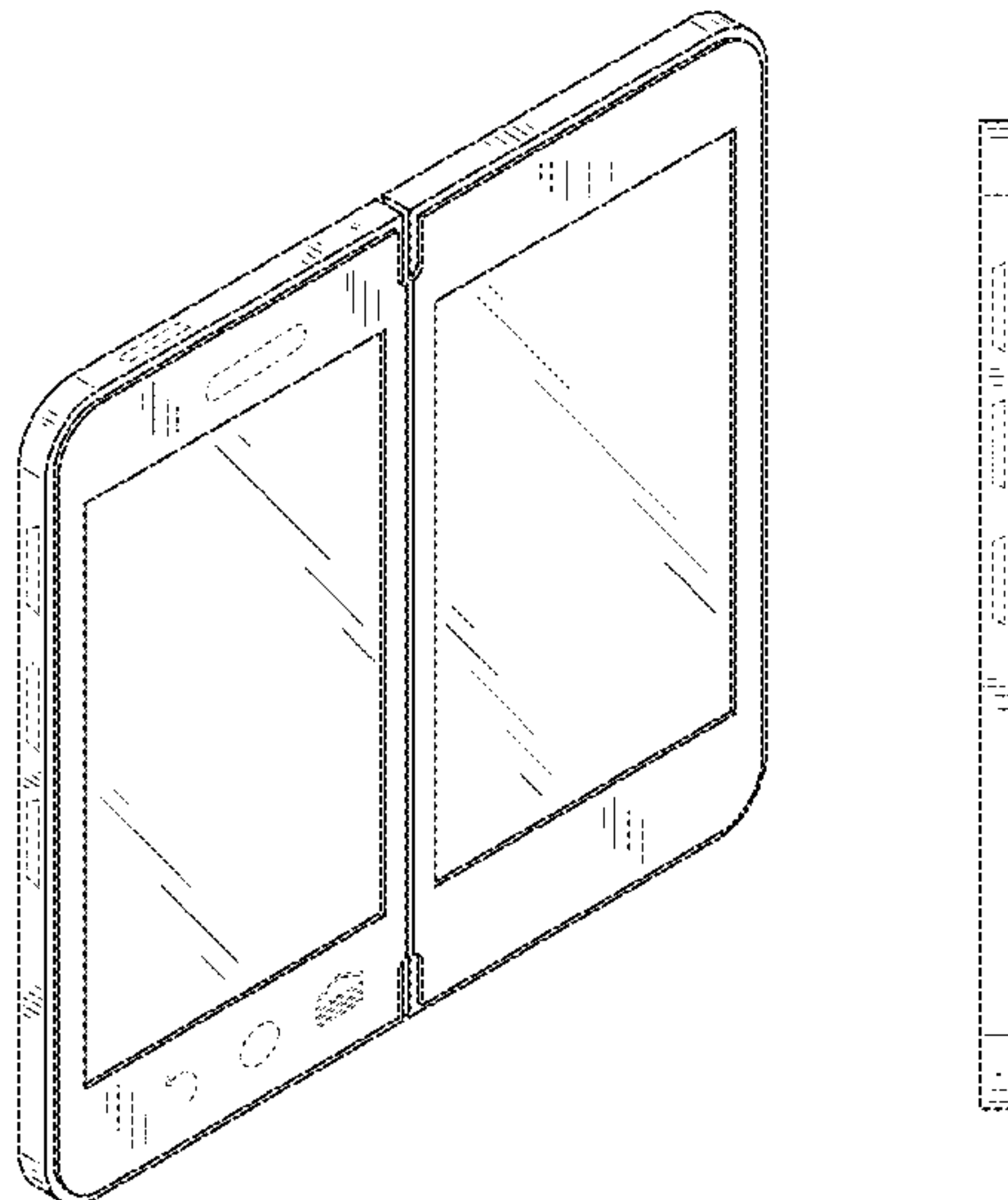
FIG. 5 is a right elevation view thereof;

FIG. 6 is a bottom plan view thereof; and,

FIG. 7 is a rear elevation view thereof.

The broken lines shown in the Figures represent portions of the dual screen electronic device that form no part of the claimed design.

1 Claim, 3 Drawing Sheets



OTHER PUBLICATIONS

Notice of Allowance for Chinese Patent Application No. 201230178509.7, dated Nov. 23, 2012 with English translation, 5 pages.

Notice of Allowance for Chinese Patent Application No. 201230178546.8, dated Nov. 30, 2012 with English translation, 5 pages.

Notice of Allowance for Chinese Patent Application No. 201230178567.X, dated Nov. 30, 2012 with English translation, 5 pages.

Official Action for U.S. Appl. No. 29/406,772, mailed Dec. 14, 2012, 5 pages.

Notice of Allowance for U.S. Appl. No. 29/406,771, mailed Dec. 17, 2012, 7 pages.

Notice of Allowance for U.S. Appl. No. 29/406,770, mailed Dec. 10, 2012, 7 pages.

Notice of Allowance for U.S. Appl. No. 29/406,763, mailed Dec. 11, 2012, 7 pages.

Notice of Allowance for U.S. Appl. No. 29/406,760, mailed Dec. 6, 2012, 7 pages.

Notice of Allowance for U.S. Appl. No. 29/406,759, mailed Dec. 7, 2012, 7 pages.

* cited by examiner

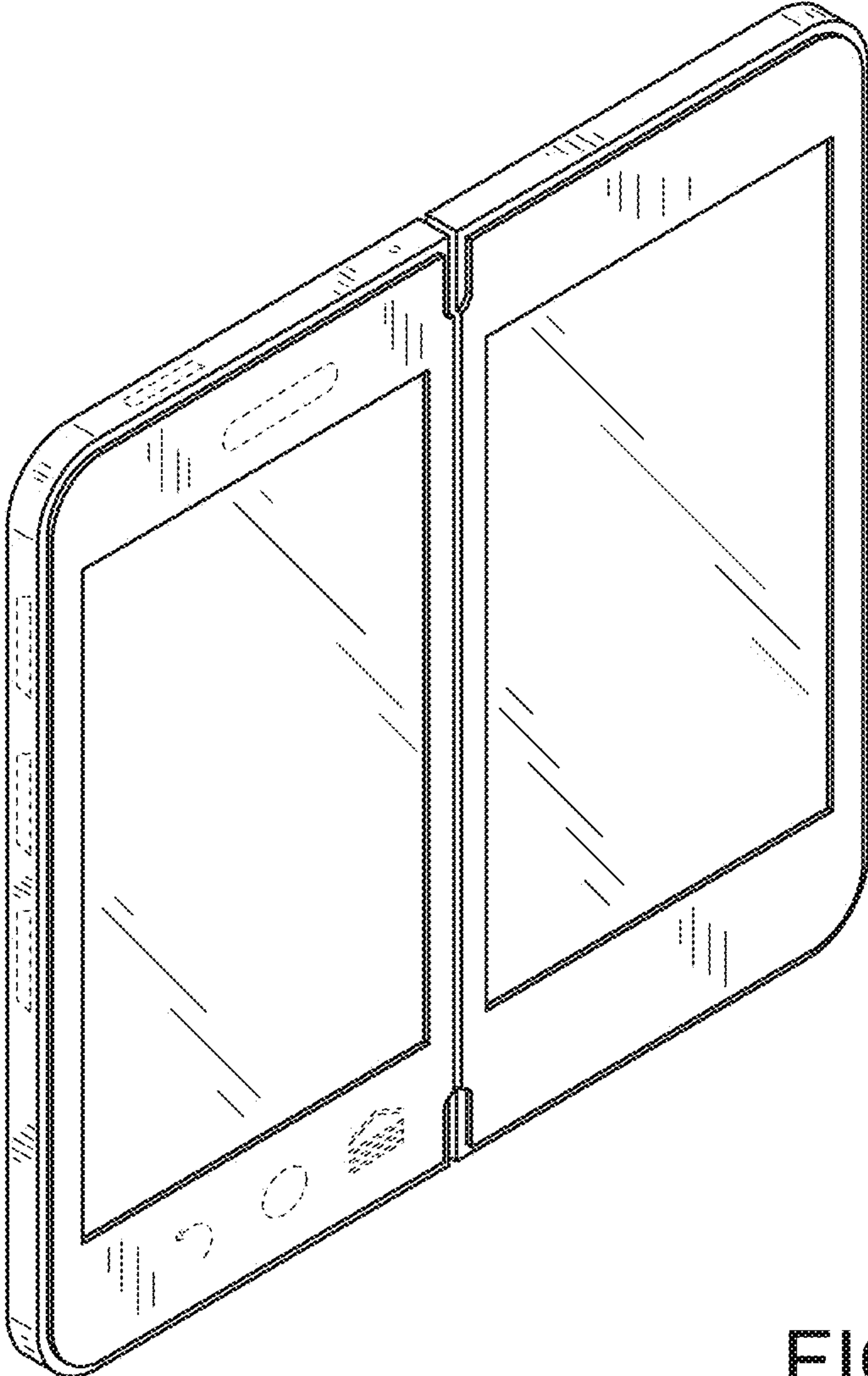


FIG.1



FIG.2

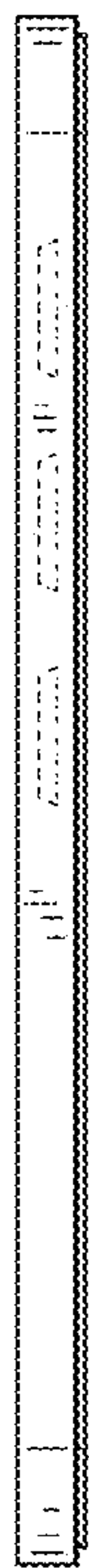


FIG.3

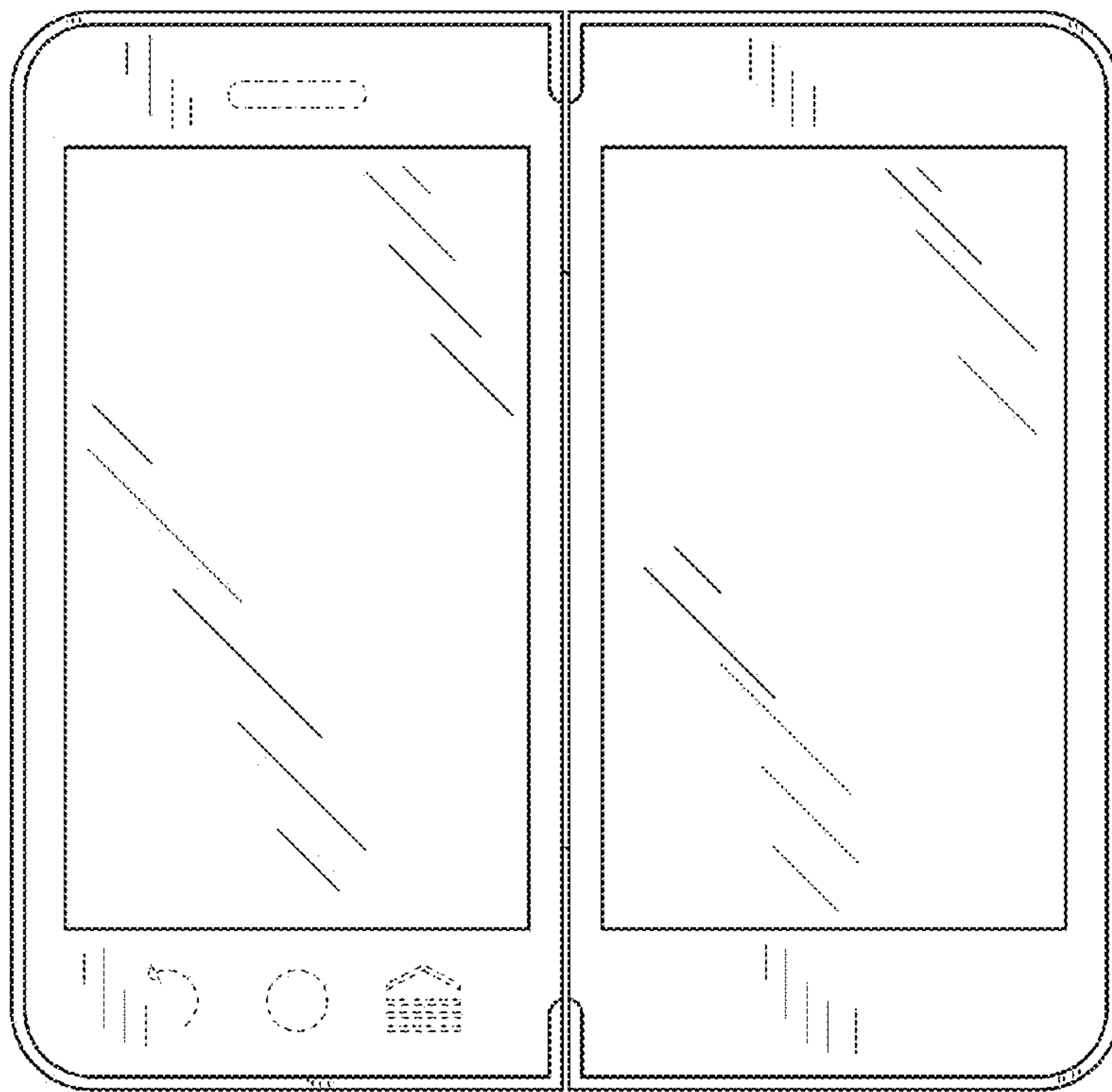


FIG.4

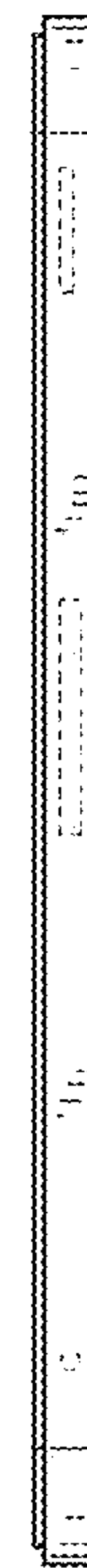


FIG.5

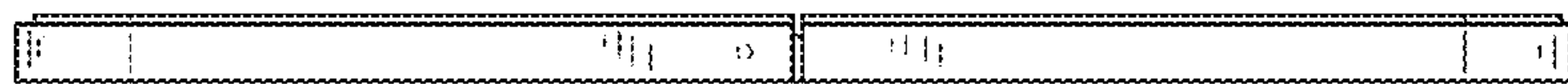


FIG.6

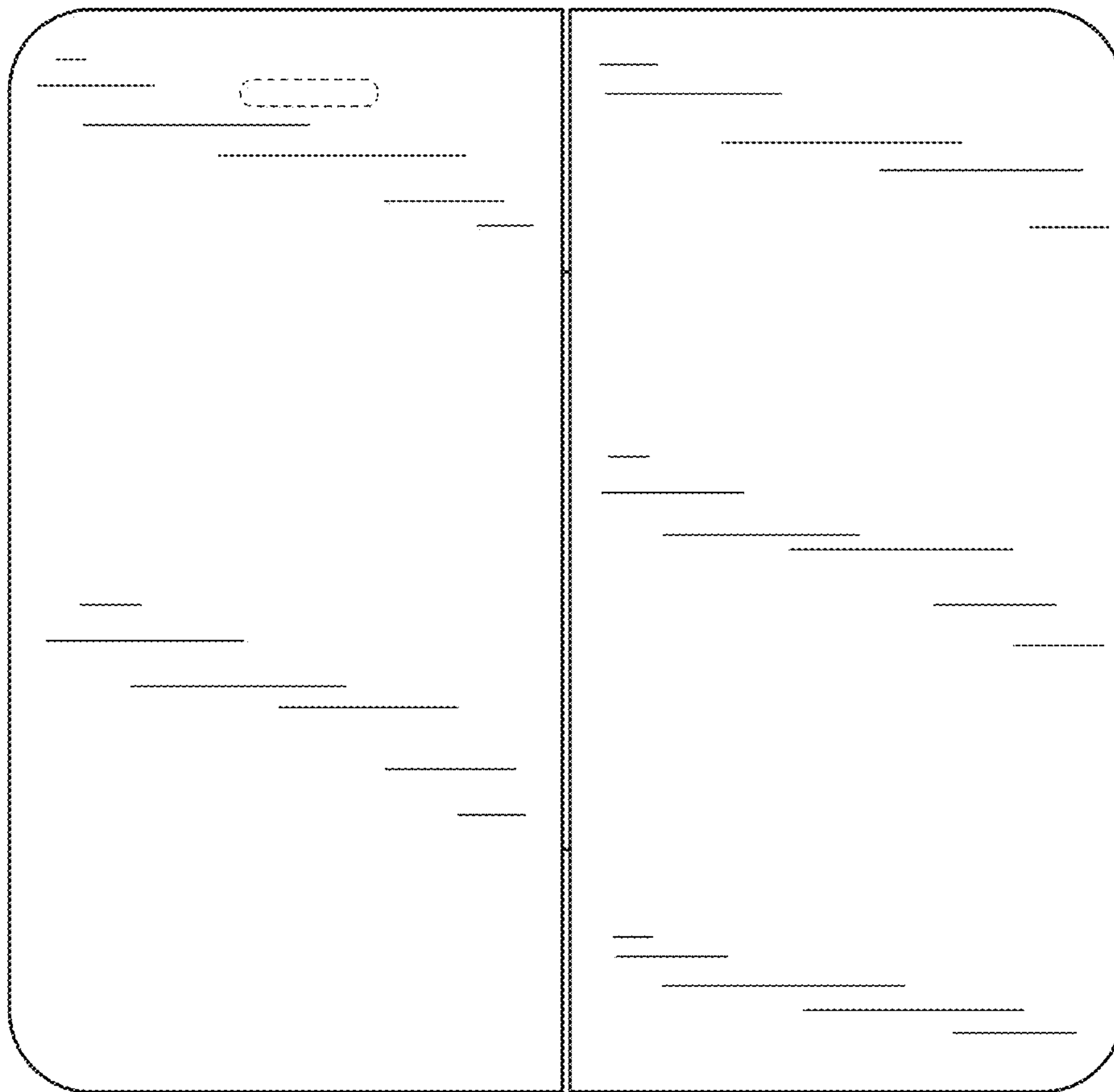


FIG. 7