



US00D687030S

(12) **United States Design Patent**
Andre et al.

(10) **Patent No.:** **US D687,030 S**
(45) **Date of Patent:** **** Jul. 30, 2013**

(54) **ELECTRONIC DEVICE**

(75) Inventors: **Bartley K. Andre**, Menlo Park, CA (US); **Daniel J. Coster**, San Francisco, CA (US); **Daniele De Iuliis**, San Francisco, CA (US); **Evans Hankey**, San Francisco, CA (US); **Richard P. Howarth**, San Francisco, CA (US); **Jonathan P. Ive**, San Francisco, CA (US); **Steve Jobs**, Palo Alto, CA (US); **Duncan Robert Kerr**, San Francisco, CA (US); **Shin Nishibori**, Portola Valley, CA (US); **Matthew Dean Rohrbach**, San Francisco, CA (US); **Peter Russell-Clarke**, San Francisco, CA (US); **Douglas B. Satzger**, Menlo Park, CA (US); **Christopher J. Stringer**, Woodside, CA (US); **Eugene Antony Whang**, San Francisco, CA (US); **Rico Zorkendorfer**, San Francisco, CA (US)

D18/11; 235/145 A, 145 R; 341/22, 23; 345/156, 157, 168, 169, 173; 361/679.08, 361/679.09, 679.26, 679.27; 348/373; 715/783; 400/486, 489

See application file for complete search history.

(56) **References Cited**

U.S. PATENT DOCUMENTS

6,067,224 A 5/2000 Nobuchi
6,166,737 A 12/2000 Lee et al.

(Continued)

OTHER PUBLICATIONS

Apple PowerBook G4 Titanium, available at least as early as Jan. 1, 2001.

(Continued)

Primary Examiner — Freda S Nunn

(74) *Attorney, Agent, or Firm* — Saidman DesignLaw Group

(57) **CLAIM**

The ornamental design for an electronic device, as shown and described.

DESCRIPTION

This application also incorporates by reference prior application Ser. No. 29/294,335, filed Jan. 4, 2008, now U.S. Pat. No. D600,688, and prior application Ser. No. 29/294,486, filed Jan. 11, 2008, now U.S. Pat. No. D604,289, both of which are incorporated by reference in Ser. No. 29/294,500.

FIG. 1 is a top view of an electronic device showing our new design;

FIG. 2 is a front, top perspective view thereof;

FIG. 3 is a rear, bottom perspective view thereof; and,

FIG. 4 is a left side view thereof, the right side being a mirror image.

The broken lines illustrate portions of the electronic device and form no part of the claimed design. The solid black portions indicate the color black.

1 Claim, 4 Drawing Sheets

(73) Assignee: **Apple Inc.**, Cupertino, CA (US)

(**) Term: **14 Years**

(21) Appl. No.: **29/422,726**

(22) Filed: **May 23, 2012**

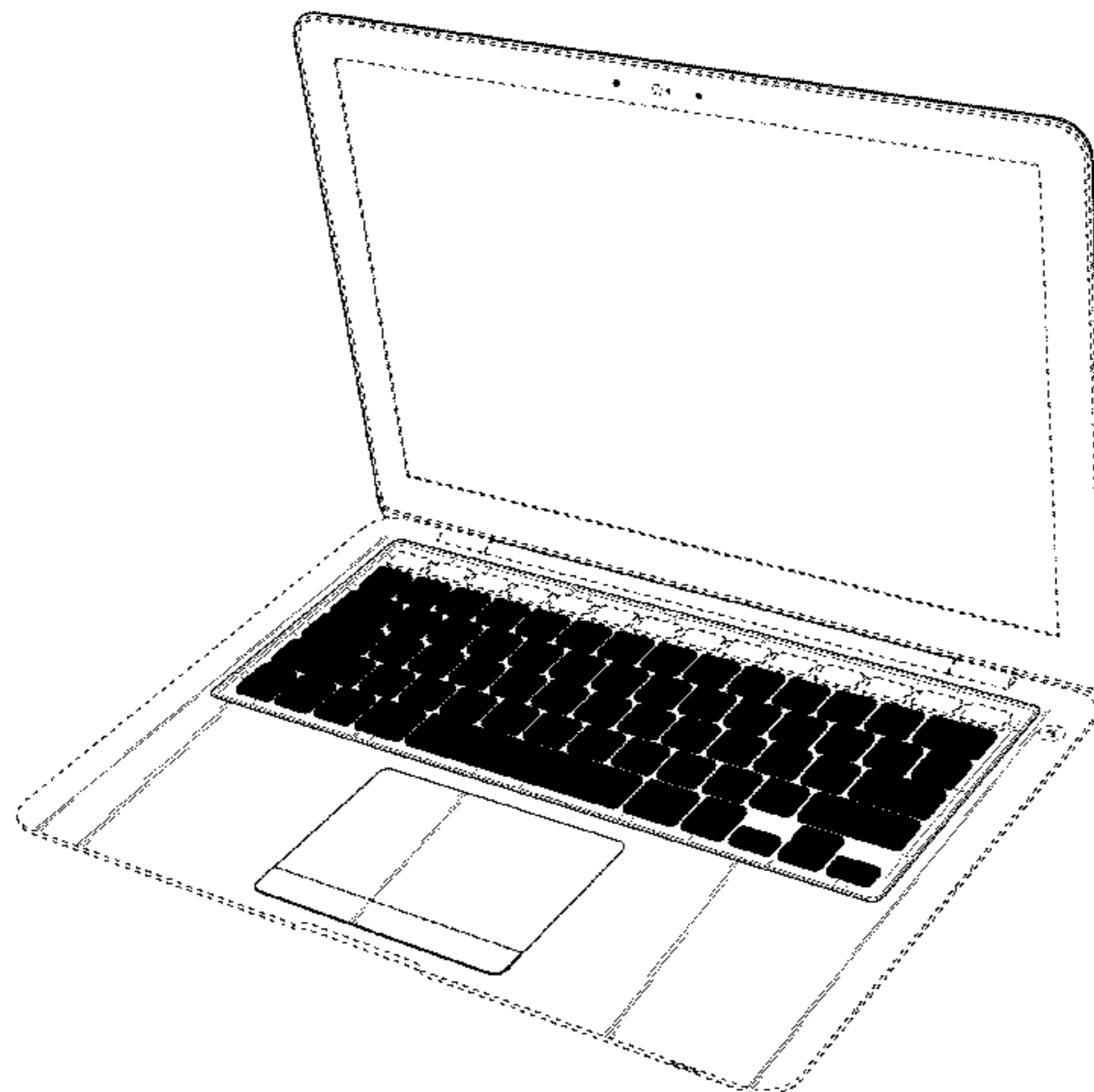
Related U.S. Application Data

(60) Continuation of application No. 29/387,659, filed on Mar. 16, 2011, now Pat. No. Des. 661,693, which is a continuation of application No. 29/375,023, filed on Sep. 16, 2010, now Pat. No. Des. 635,566, which is a continuation of application No. 29/345,429, filed on Oct. 15, 2009, now Pat. No. Des. 625,717, which is a division of application No. 29/294,500, filed on Jan. 14, 2008, now Pat. No. Des. 604,294.

(51) **LOC (9) Cl.** **14-02**

(52) **U.S. Cl.**
USPC **D14/318**

(58) **Field of Classification Search**
USPC D14/315-327, 455; D18/1, 2, 7,



U.S. PATENT DOCUMENTS

D463,797 S 10/2002 Andre et al.
6,657,854 B2 12/2003 Horii et al.
D491,177 S 6/2004 Andre et al.
D493,785 S 8/2004 Andre et al.
D513,509 S 1/2006 Kawa
7,035,665 B2 4/2006 Kido et al.
D527,730 S 9/2006 Dong
D529,907 S 10/2006 Dong
D547,310 S 7/2007 Yoon
D556,192 S 11/2007 Jeong
D558,752 S 1/2008 Andre et al.
D558,753 S 1/2008 Andre et al.
D571,364 S 6/2008 Andre et al.
D572,247 S 7/2008 Andre et al.
D574,378 S 8/2008 Andre et al.
D589,507 S 3/2009 Andre et al.
D604,294 S 11/2009 Andre et al.
D611,469 S 3/2010 Andre et al.
D616,881 S 6/2010 Andre et al.
D625,717 S 10/2010 Andre et al.
D633,087 S 2/2011 Andre et al.
D635,566 S 4/2011 Andre et al.
D639,295 S 6/2011 Andre et al.
D661,693 S * 6/2012 Andre et al. D14/315
2005/0018396 A1 1/2005 Nakajima et al.
2005/0041378 A1 2/2005 Hamada et al.

OTHER PUBLICATIONS

Apple PowerBook G4 Aluminum, available at least as early as Jan. 1, 2003.
Apple MacBook Pro, available at least as early as Jan. 10, 2006.
Apple MacBook Air, available Jan. 15, 2008, http://images.apple.com/macbookair/images/design_gal01_20080115.jpg.
Apple MacBook Air, available Jan. 15, 2008, http://images.apple.com/macbookair/images/design_gal02_20080115.jpg.
Apple MacBook Air, available Jan. 15, 2008, http://images.apple.com/macbookair/images/design_gal03_20080115.jpg.
Apple MacBook Air, available Jan. 15, 2008, http://images.apple.com/macbookair/images/design_gal04_20080115.jpg.
Apple MacBook Air, available Jan. 15, 2008, http://images.apple.com/macbookair/images/design_thinair20080115.
Apple MacBook Air, available Jan. 15, 2008, http://images.apple.com/macbookair/images/design_displayair20080115.jpg.
Apple MacBook Air, available Jan. 15, 2008, http://images.apple.com/macbookair/images/design_keyboardair20080115.jpg.
Apple MacBook Air, available Jan. 15, 2008, http://images.apple.com/macbookair/images/design_gal08_20080115.jpg.

* cited by examiner

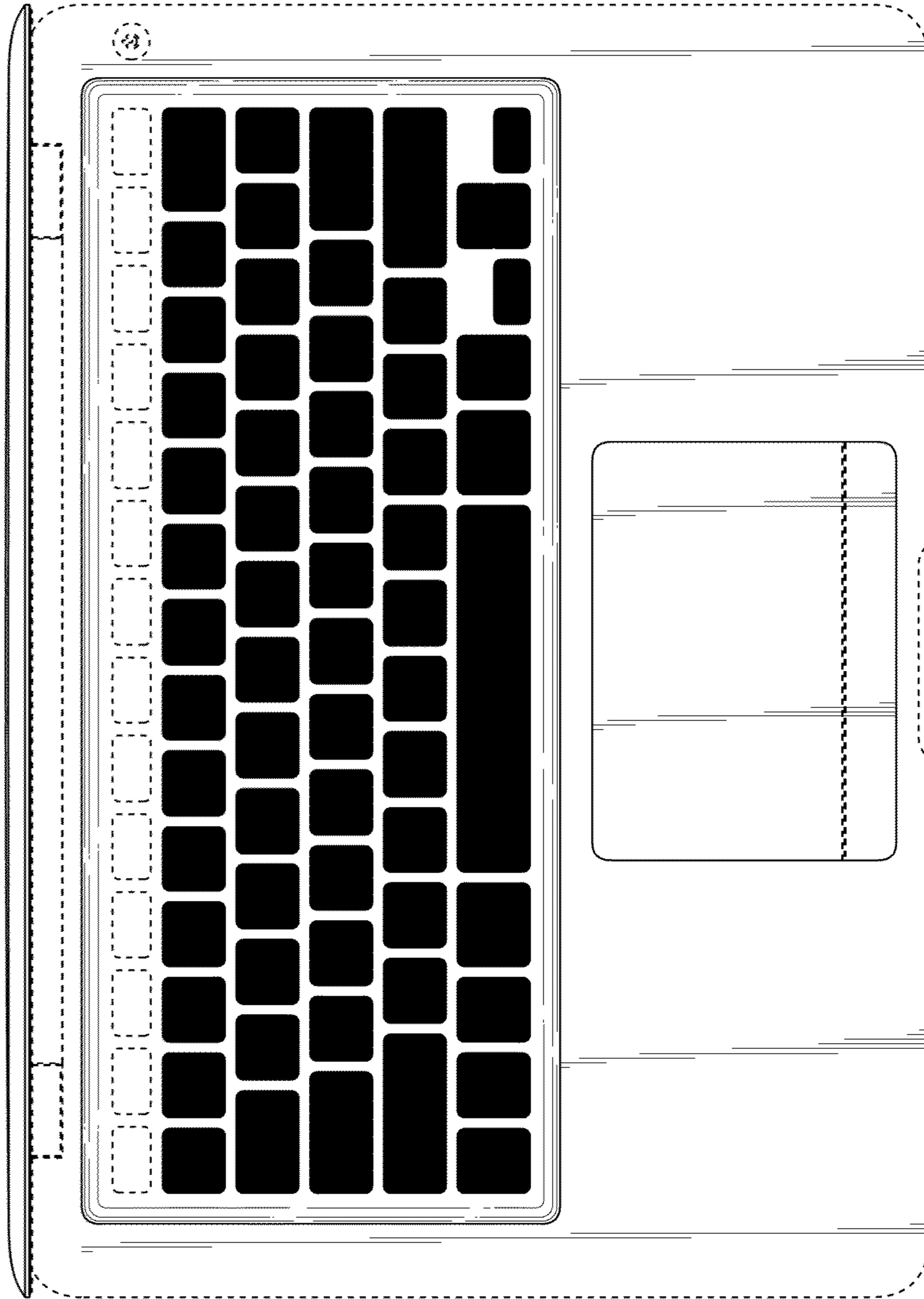


Fig. 1

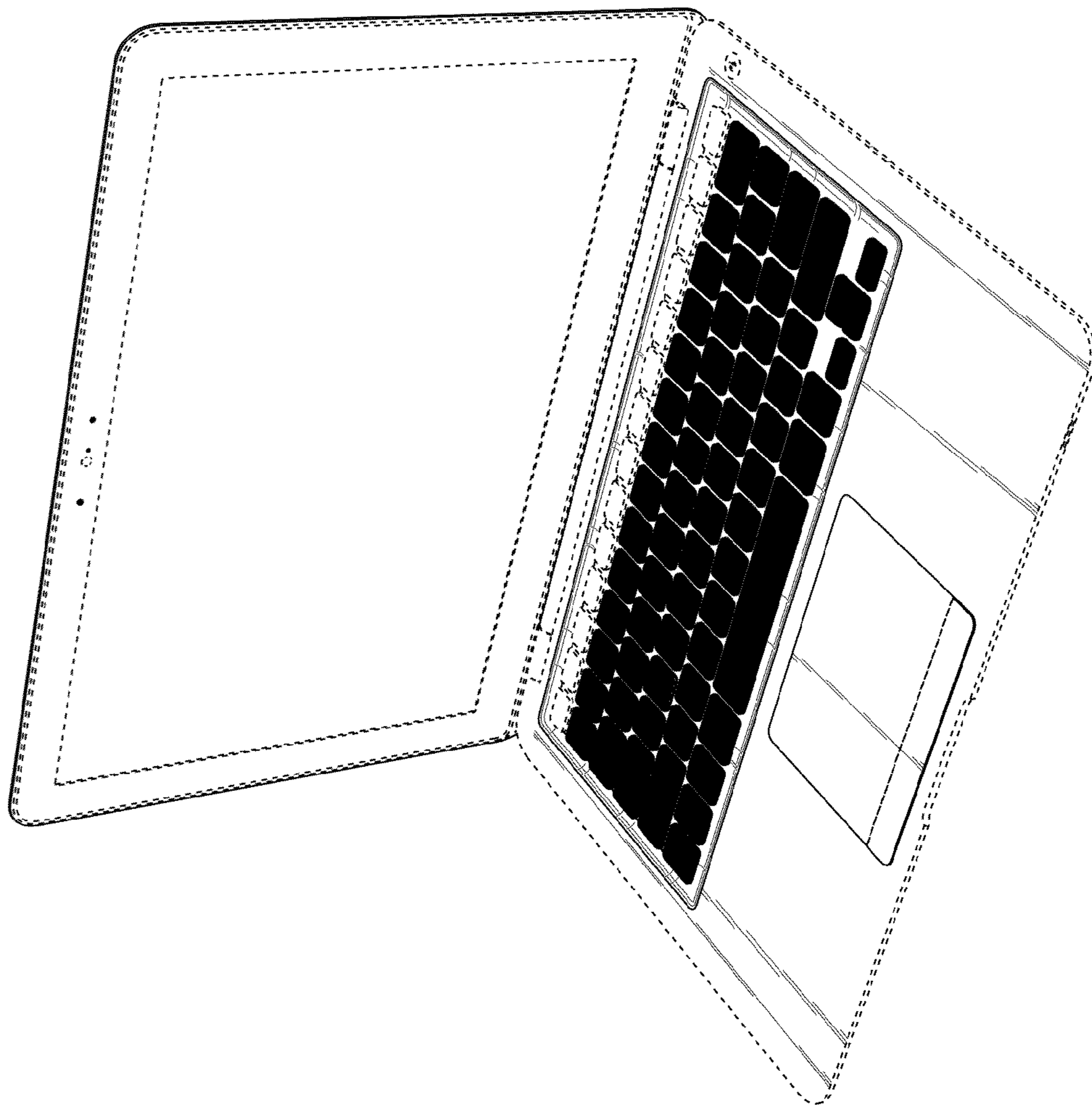


Fig. 2

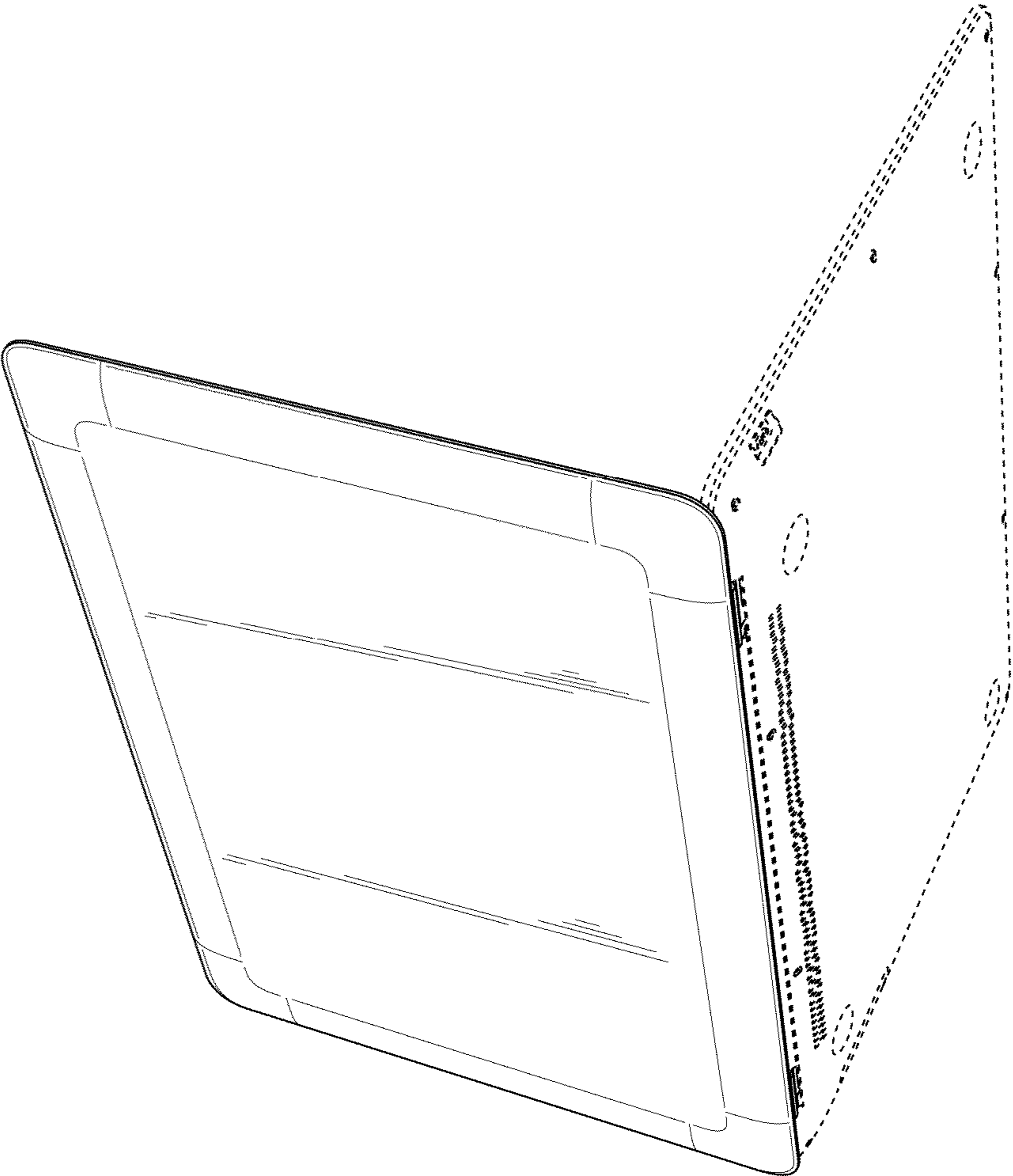


Fig. 3

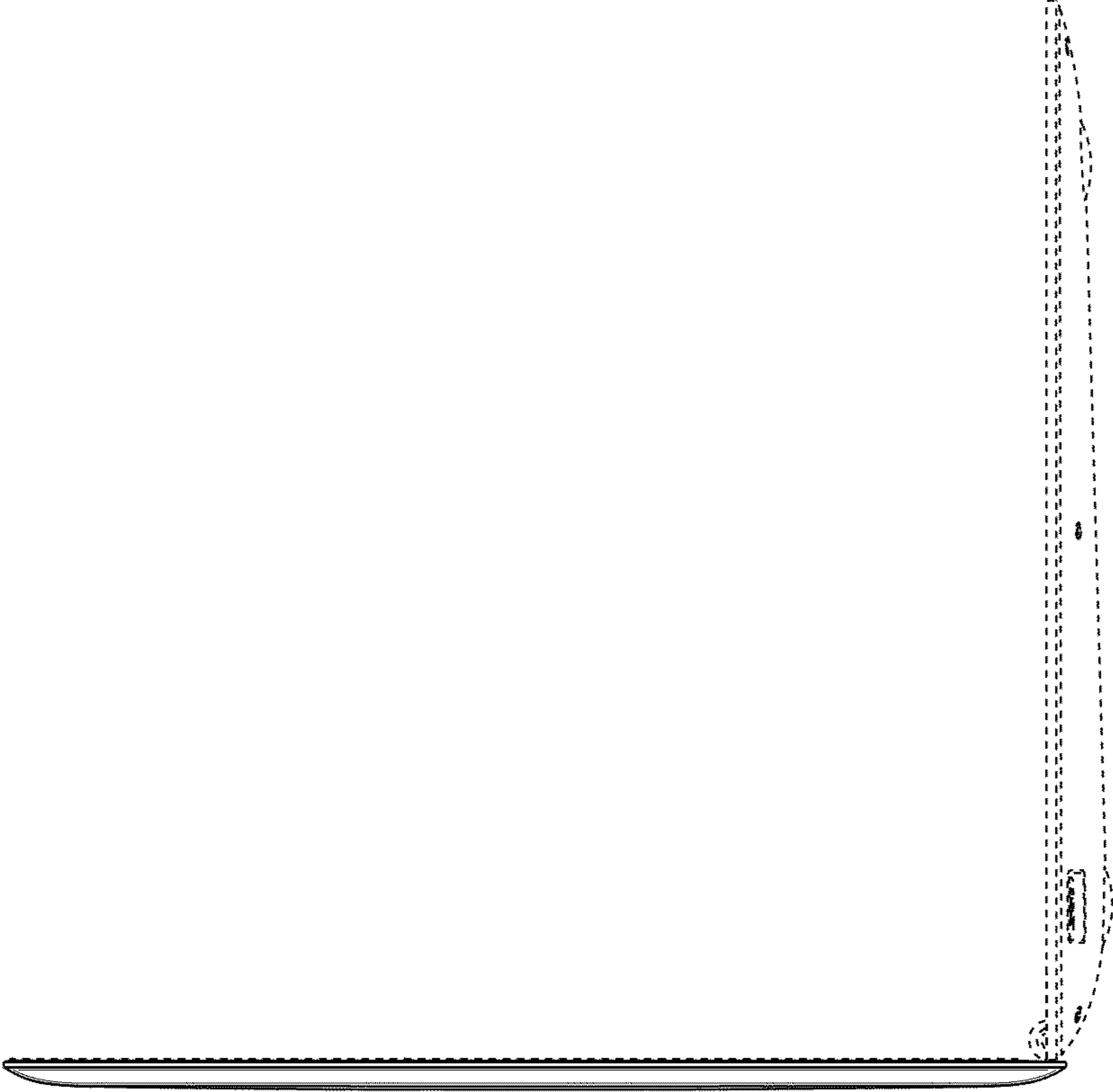


Fig. 4