



US00D687026S

(12) **United States Design Patent**  
**Ruvolo**

(10) **Patent No.:** **US D687,026 S**

(45) **Date of Patent:** **\*\* Jul. 30, 2013**

- (54) **CELL PHONE CASE WITH LOOP**
- (75) Inventor: **Dennis M. Ruvolo**, Aliso Viejo, CA  
(US)
- (73) Assignee: **Candybook LLC.**, San Clemente, CA  
(US)
- (\*\*) Term: **14 Years**
- (21) Appl. No.: **29/427,739**
- (22) Filed: **Jul. 21, 2012**
- (51) **LOC (9) Cl.** ..... **14-03**
- (52) **U.S. Cl.**  
USPC ..... **D14/250**
- (58) **Field of Classification Search**  
USPC ..... D14/250–253, 440, 203.3–203.7,  
D14/217, 496, 248, 238.1, 240, 447; D13/103,  
D13/107–108, 119; 220/4.02; 248/309.1,  
248/371, 176.3, 668; 361/679.56, 679.3,  
361/679.25, 816; 379/426, 433.11, 455;  
455/575.1, 575.8; 206/305, 320; 345/173;  
D3/201, 218, 247, 269, 273, 301, 303  
See application file for complete search history.

- D653,655 S \* 2/2012 Polito et al. .... D14/250
- D654,069 S \* 2/2012 Kwon et al. .... D14/250
- D659,132 S \* 5/2012 Wen ..... D14/250
- D663,947 S \* 7/2012 Jertson ..... D3/218
- 8,297,440 B2 \* 10/2012 Schmidt et al. .... 206/320
- D673,554 S \* 1/2013 Simmer ..... D14/250

(Continued)

**OTHER PUBLICATIONS**

Presentation: Unboxing of Joy Bubbleshield Waterproof Sleeve, published on Apr. 1, 2012, <URL:http://www.youtube.com/watch?v=Wkh2iTN\_czk>, retrieved from internet on Mar. 4, 2013.\*  
Knucklecase for iPhone 5, published on Jun. 12, 2012, <URL:http://www.youtube.com/watch?v=Z3aW32SdYtg>, retrieved from internet on Mar. 9, 2013.\*

*Primary Examiner* — Carla Jobe Wright

(74) *Attorney, Agent, or Firm* — Rutan & Tucker LLP; Hani Z. Sayed

(57) **CLAIM**

The ornamental design for cell phone case with loop, as shown and described.

**DESCRIPTION**

FIG. 1 is a front, left side, bottom perspective view of the present invention;  
FIG. 2 is a front elevation view of the present invention;  
FIG. 3 is a left side elevation view of the present invention;  
FIG. 4 is a right side elevation view of the present invention;  
FIG. 5 is a rear elevation view of the present invention;  
FIG. 6 is a top plan view of the present invention, the bottom plan view being a mirror image of the top plan view; and,  
FIG. 7 is an enlarged sectional view of the present invention taken along line 7-7 of FIG. 2.

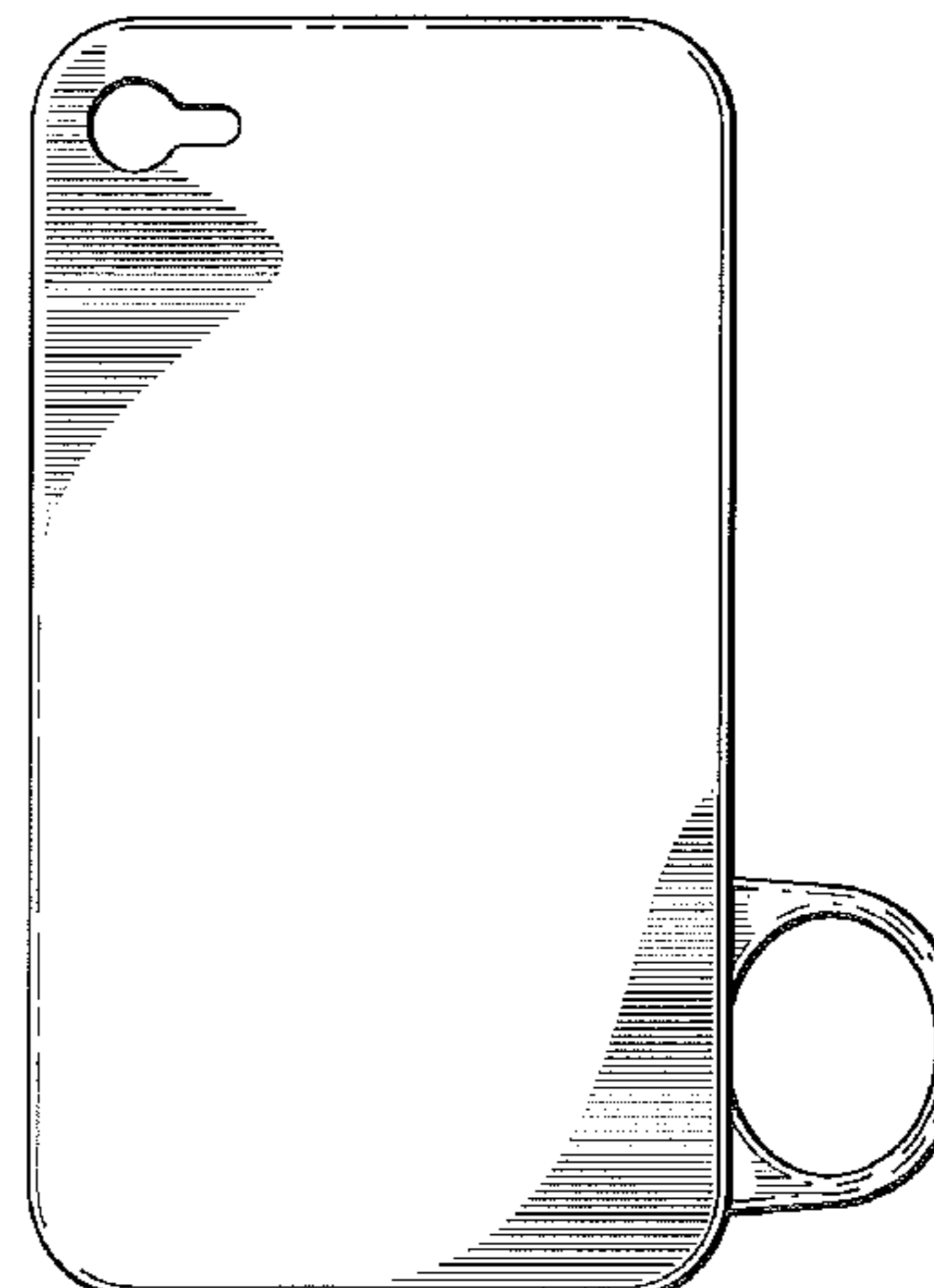
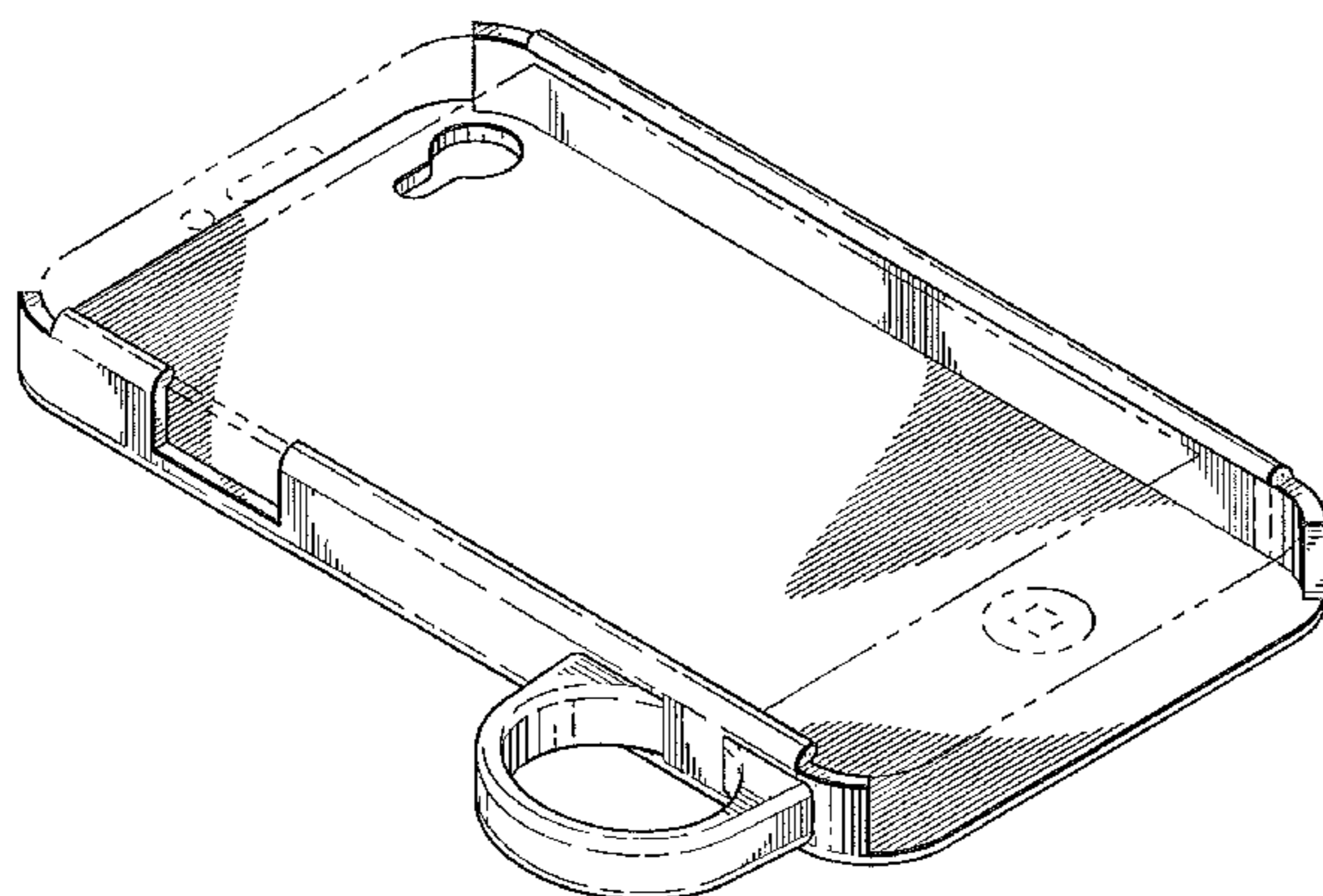
The broken lines in FIG. 1 depict an unclaimed cell phone.

**1 Claim, 2 Drawing Sheets**

(56) **References Cited**

**U.S. PATENT DOCUMENTS**

- D435,541 S \* 12/2000 Kataoka et al. .... D14/217
- D491,999 S \* 6/2004 Scott ..... D22/142
- D525,986 S \* 8/2006 Kim ..... D14/203.3
- D565,290 S \* 4/2008 Brandenburg et al. .... D3/218
- D593,750 S \* 6/2009 Song ..... D3/269
- D620,931 S \* 8/2010 Opman ..... D14/250
- D623,180 S \* 9/2010 Diebel ..... D14/250
- D625,303 S \* 10/2010 Kim ..... D14/250
- D643,433 S \* 8/2011 Hsieh et al. .... D14/440
- D649,539 S \* 11/2011 Hong ..... D14/250
- D651,205 S \* 12/2011 Soekoro ..... D14/250



# US D687,026 S

Page 2

---

## U.S. PATENT DOCUMENTS

D674,380 S *	1/2013	Soekoro .....	D14/250	D676,837 S *	2/2013	Rothbaum et al. ....	D14/250
D676,432 S *	2/2013	Hasbrook et al. ....	D14/250	2009/0036174 A1 *	2/2009	Brandenburg et al. ....	455/575.1
				* cited by examiner			

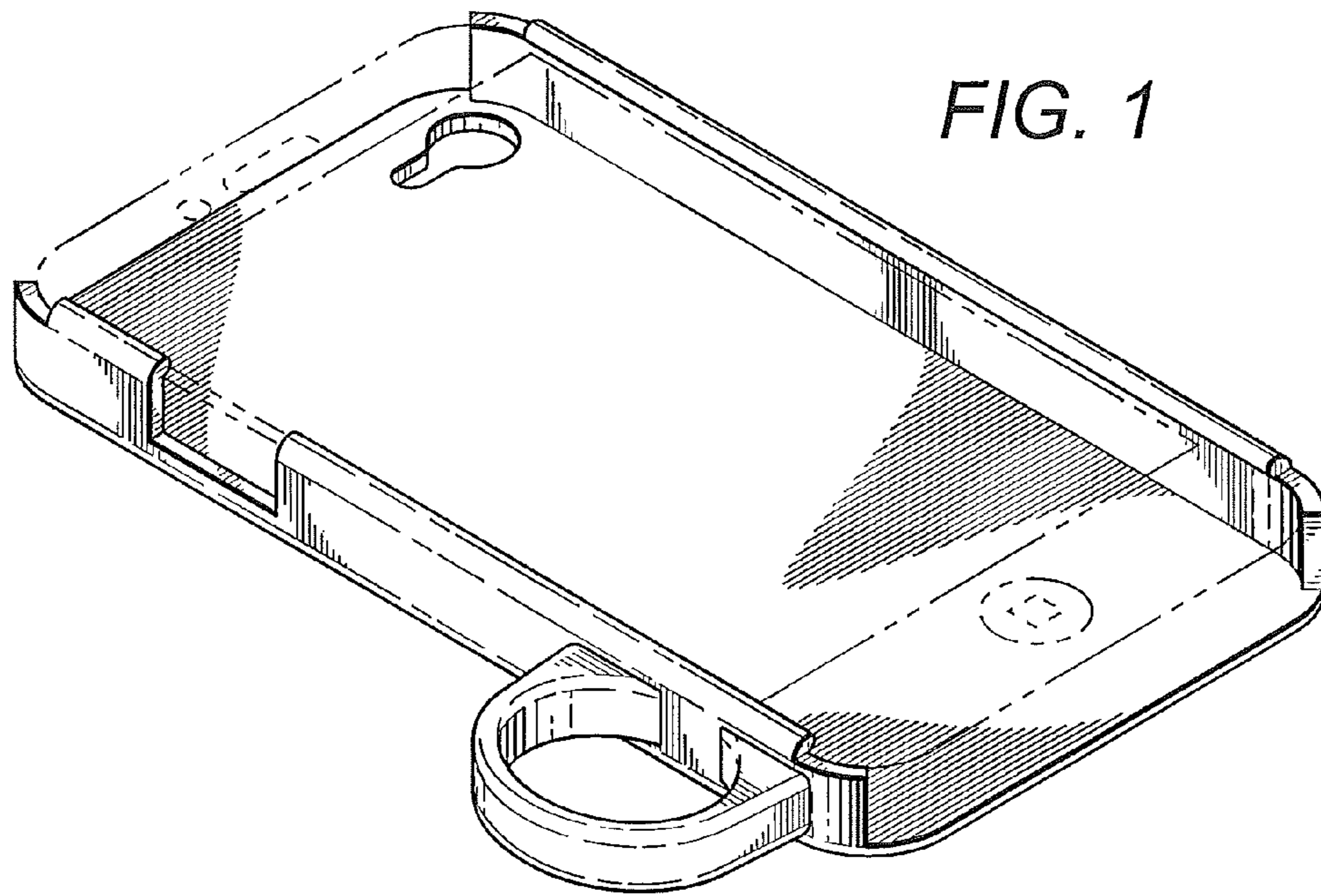


FIG. 1



FIG. 6

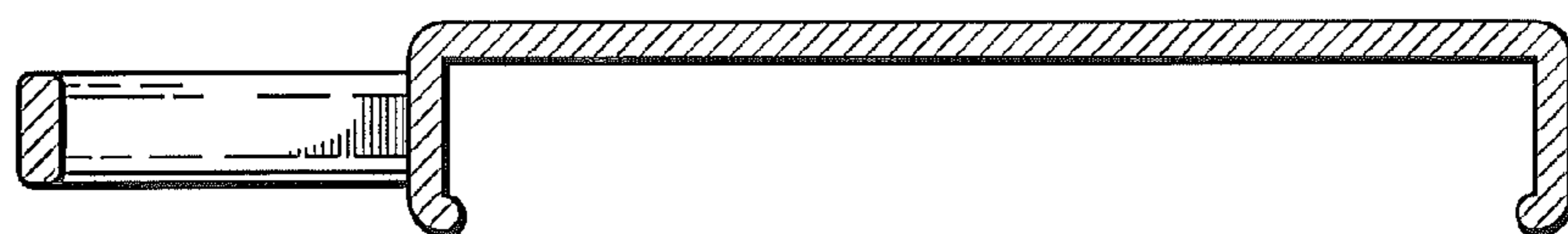


FIG. 7

