



US00D687025S

(12) **United States Design Patent**
Wilkson et al.

(10) **Patent No.:** **US D687,025 S**
(45) **Date of Patent:** **** Jul. 30, 2013**

(54) **CASE WITH SENSOR SEPARATOR**

(75) Inventors: **Matthew Wilkson**, Fort Collins, CO
(US); **Zachary Dunkin**, Wellington, CO
(US); **Jamie Johnson**, Fort Collins, CO
(US)

(73) Assignee: **Otter Products, LLC**, Fort Collins, CO
(US)

(**) Term: **14 Years**

(21) Appl. No.: **29/392,493**

(22) Filed: **May 23, 2011**

(51) **LOC (9) Cl.** **14-03**

(52) **U.S. Cl.**
USPC **D14/250**

(58) **Field of Classification Search**
USPC D14/248, 250–253, 440, 203.1–203.7,
D14/217–218, 496, 137–138 AA, 138 G,
D14/168, 474; D3/201, 218, 269, 301, 273,
D3/303, 103, 247; D13/103, 107, 108, 119;
D6/407; D21/333; 220/4.02; 361/679.56,
361/679.55, 679.01; 379/426, 433.11, 455;
455/575.1, 575.8; 190/100; 206/305, 320;
D8/382, 399; D19/1, 97

See application file for complete search history.

(56) **References Cited**

U.S. PATENT DOCUMENTS

| | | | | |
|---------------|---------|------------------|-------|----------|
| 5,197,761 A * | 3/1993 | Shirdavani | | 281/15.1 |
| D539,031 S * | 3/2007 | Balchunas et al. | | D3/226 |
| D620,530 S * | 7/2010 | Taylor et al. | | D20/10 |
| D642,170 S * | 7/2011 | Johnson et al. | | D14/250 |
| D649,142 S * | 11/2011 | Sweet | | D14/250 |

* cited by examiner

Primary Examiner — Susan Bennett Hattan

Assistant Examiner — Vy Koenig

(57) **CLAIM**

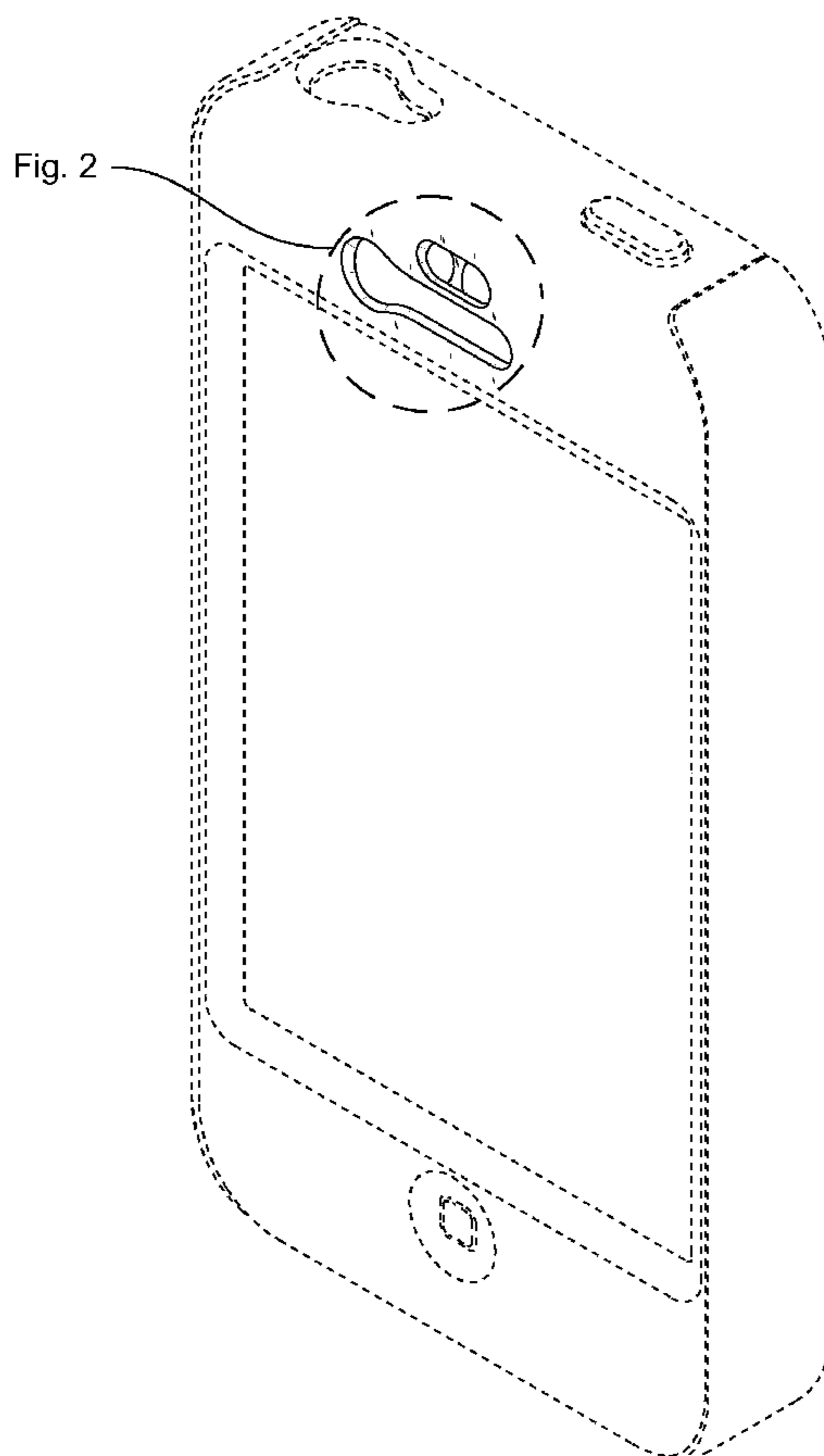
The ornamental design for a case with sensor separator, as shown and described.

DESCRIPTION

FIG. 1 is a front isometric view of a case with sensor separator showing our new design, with a preview of FIG. 2 circled; FIG. 2 is a front isometric magnified view thereof; FIG. 3 is a front view, showing a preview of FIG. 4; and, FIG. 4 is a rear view thereof.

All broken lines depict unclaimed environment. The broken lines and unshaded regions bounded by broken lines form no part of the claimed design.

1 Claim, 4 Drawing Sheets



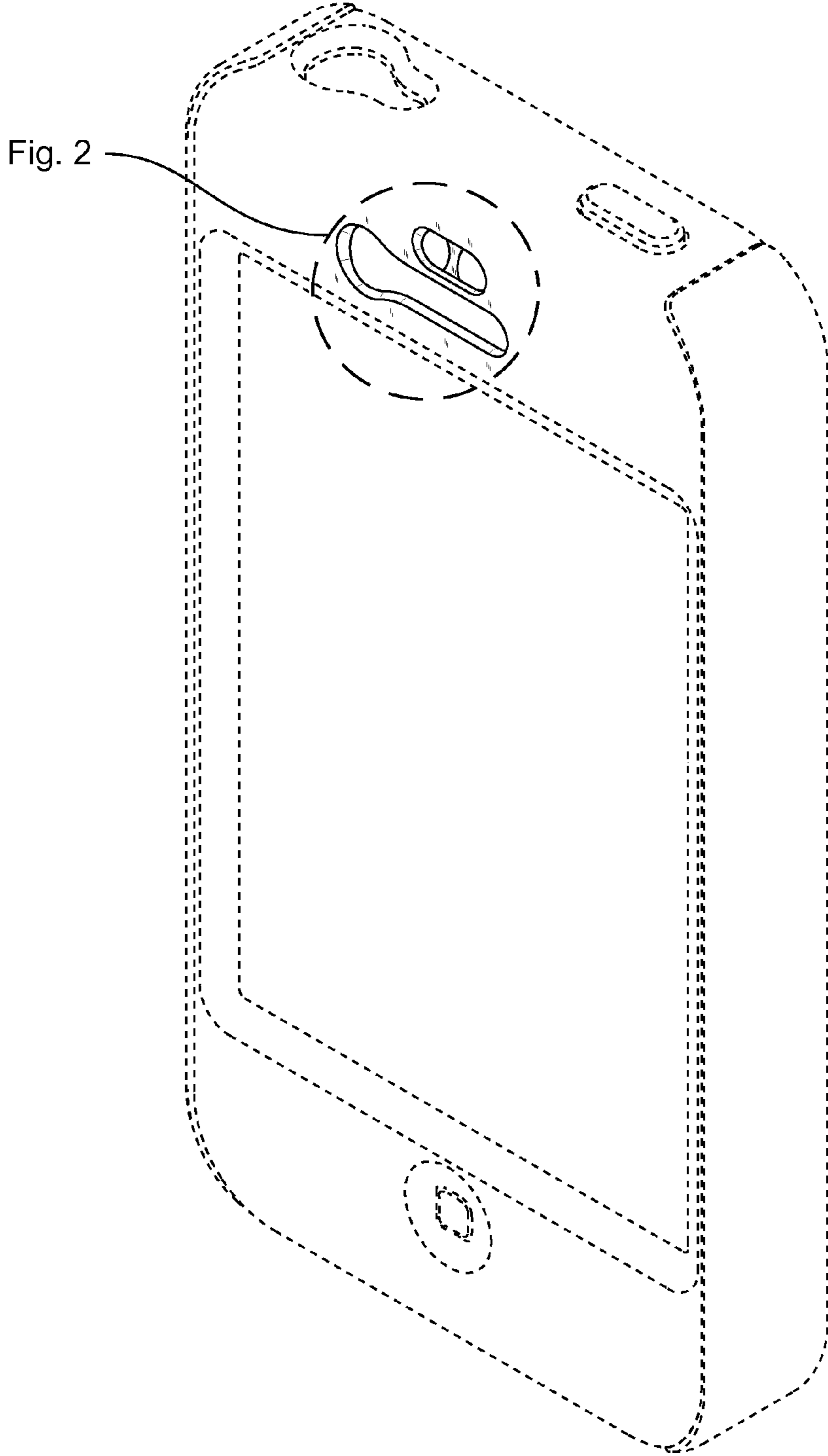


FIG. 1

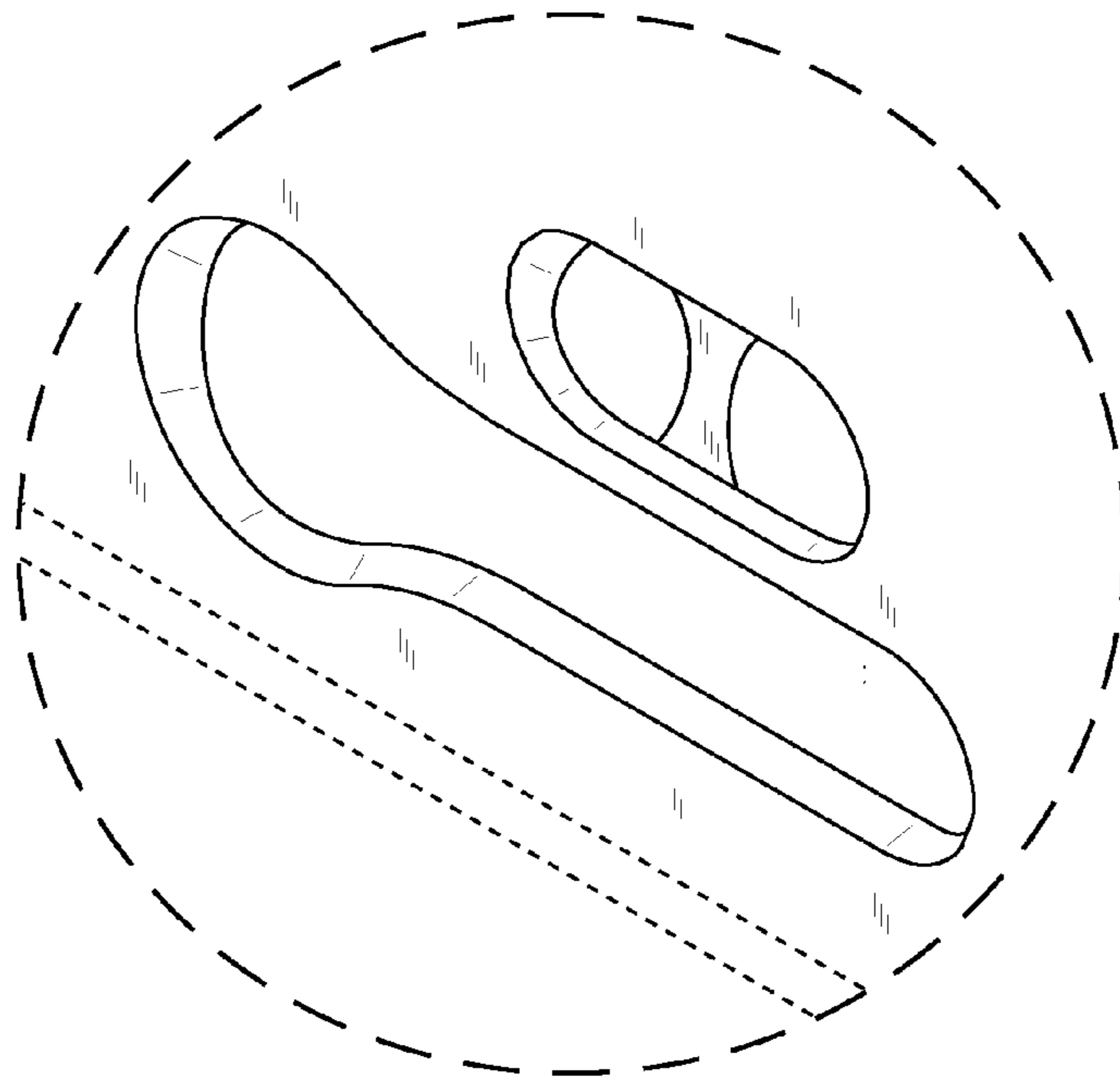


FIG. 2

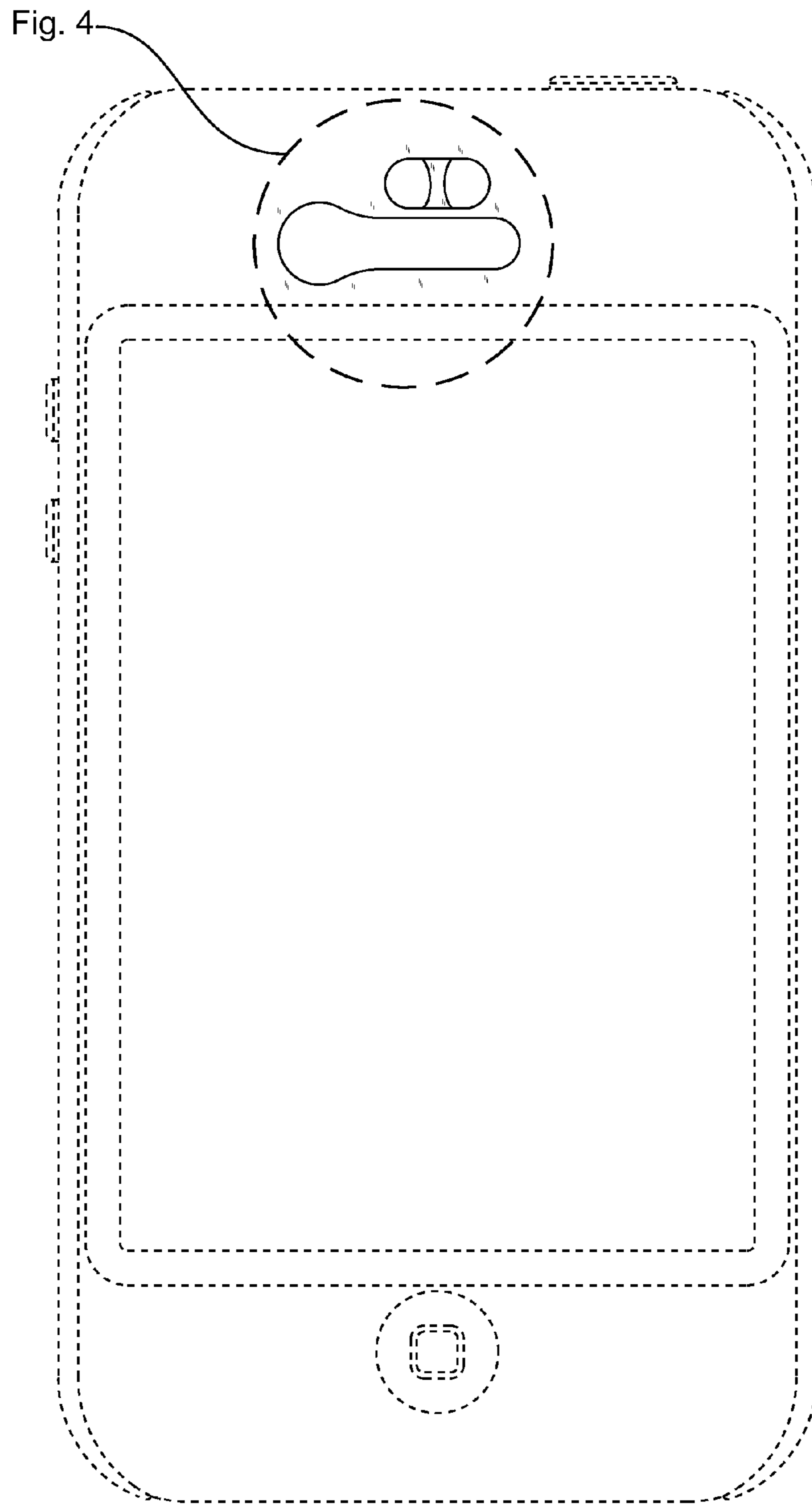


FIG. 3

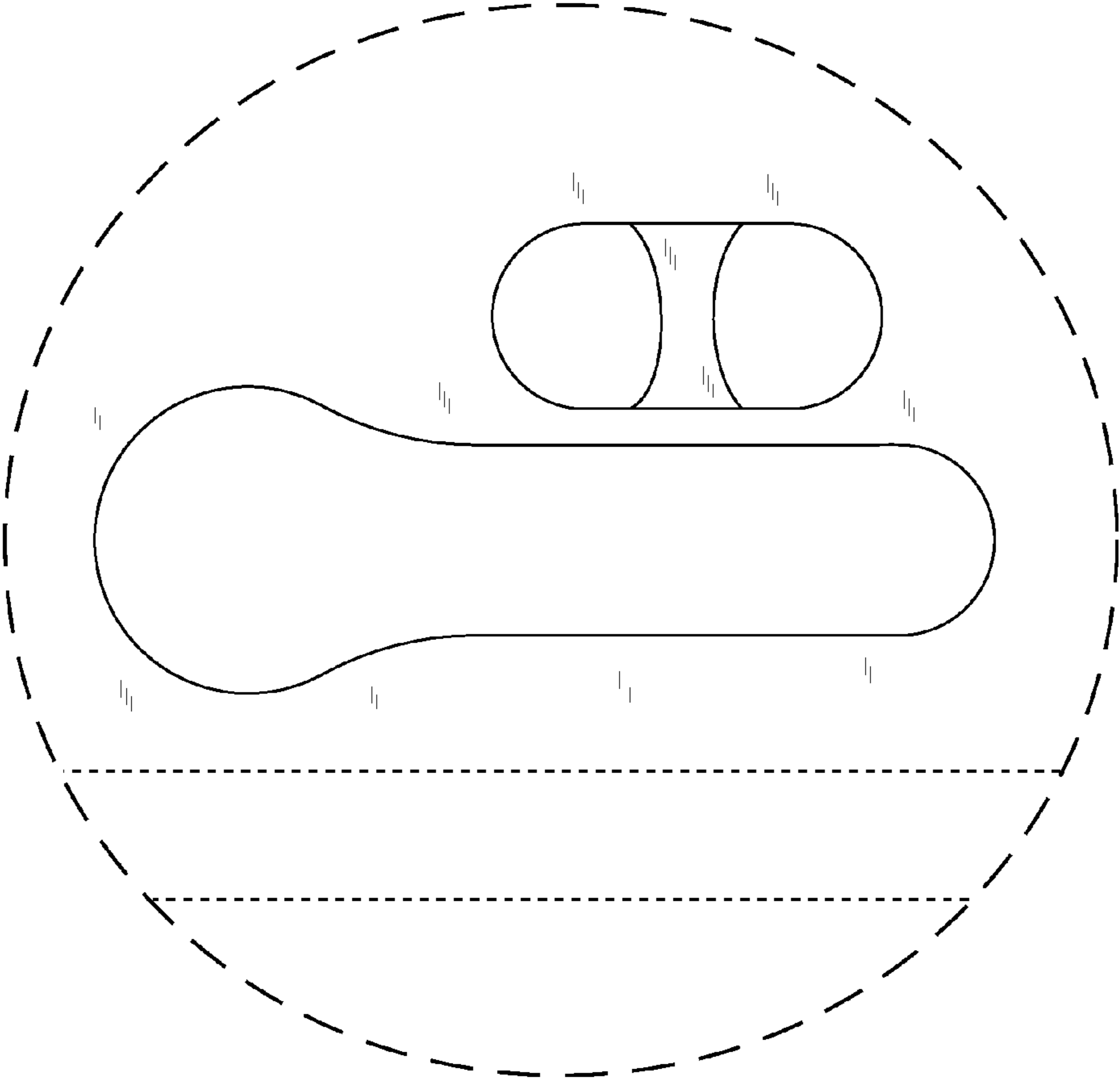


FIG. 4