



US00D687024S

(12) **United States Design Patent**
Shimizu et al.

(10) **Patent No.:** **US D687,024 S**

(45) **Date of Patent:** **** Jul. 30, 2013**

(54) **INFORMATION TERMINAL**

(75) Inventors: **Yosuke Shimizu**, Tokyo (JP); **Koichi Sadatsuki**, Tokyo (JP)

(73) Assignee: **Sony Corporation**, Tokyo (JP)

(**) Term: **14 Years**

(21) Appl. No.: **29/347,878**

(22) Filed: **Jul. 6, 2010**

(51) **LOC (9) Cl.** **14-03**

(52) **U.S. Cl.**
USPC **D14/247**

(58) **Field of Classification Search**
USPC D14/138 R, 138 AD, 138 AC, 138 C,
D14/138 G, 191, 203.1–203.8, 496, 138 AA,
D14/138 AB, 137, 147, 218, 341–347,
247–248, 144, 244, 432, 439, 455, 456; D10/65,
D10/78, 104; D13/168; D18/7; 455/566,
455/575.1, 575.3; 345/169

See application file for complete search history.

(56) **References Cited**

U.S. PATENT DOCUMENTS

D411,537 S *	6/1999	Lee	D14/138 G
D431,233 S *	9/2000	Ferguson et al.	D14/138 G
D456,393 S *	4/2002	Kim et al.	D14/248
D458,913 S *	6/2002	Suzuki et al.	D14/138 AB
D472,895 S *	4/2003	Ribeiro et al.	D14/248
D491,542 S *	6/2004	Chai et al.	D14/138 AA
D518,812 S *	4/2006	Kim et al.	D14/138 AB
D543,193 S *	5/2007	Chung et al.	D14/138 AD
D547,292 S *	7/2007	Kim et al.	D14/138 AC
D552,579 S *	10/2007	Lee et al.	D14/138 AC
D554,632 S *	11/2007	Woodley et al.	D14/247
D554,633 S *	11/2007	Park et al.	D14/248
D555,137 S *	11/2007	Kim et al.	D14/138 AD
D560,196 S *	1/2008	Kim et al.	D14/138 AA
D561,728 S *	2/2008	Kim et al.	D14/138 AB
D562,795 S *	2/2008	Nara et al.	D14/138 AD

D563,400 S *	3/2008	Arnholt et al.	D14/247
D565,042 S *	3/2008	Scales et al.	D14/248
D566,670 S *	4/2008	Huang	D14/138 AB
D572,697 S *	7/2008	Lee et al.	D14/138 AA
D572,700 S *	7/2008	Kwon et al.	D14/138 AA
D574,351 S *	8/2008	Kim et al.	D14/138 AA
D574,805 S *	8/2008	Cobb	D14/138 AA
D574,807 S *	8/2008	Lee et al.	D14/138 AD

(Continued)

OTHER PUBLICATIONS

Acer Stream, announced May 2010, [online], [retrieved on Jun. 11, 2010]. Retrieved from Internet ,<URL: <http://www.gsmarena.com>>.*

(Continued)

Primary Examiner — Bridget L Eland

(74) *Attorney, Agent, or Firm* — Rader, Fishman & Grauer PLLC

(57) **CLAIM**

The ornamental design for an information terminal, as shown and described.

DESCRIPTION

FIG. 1 is a perspective view of an information terminal showing our new design, wherein the screen part is in a moved-up position;

FIG. 2 is a front elevational view thereof;

FIG. 3 is a perspective view of the information terminal, wherein the screen part is in a raised-up position;

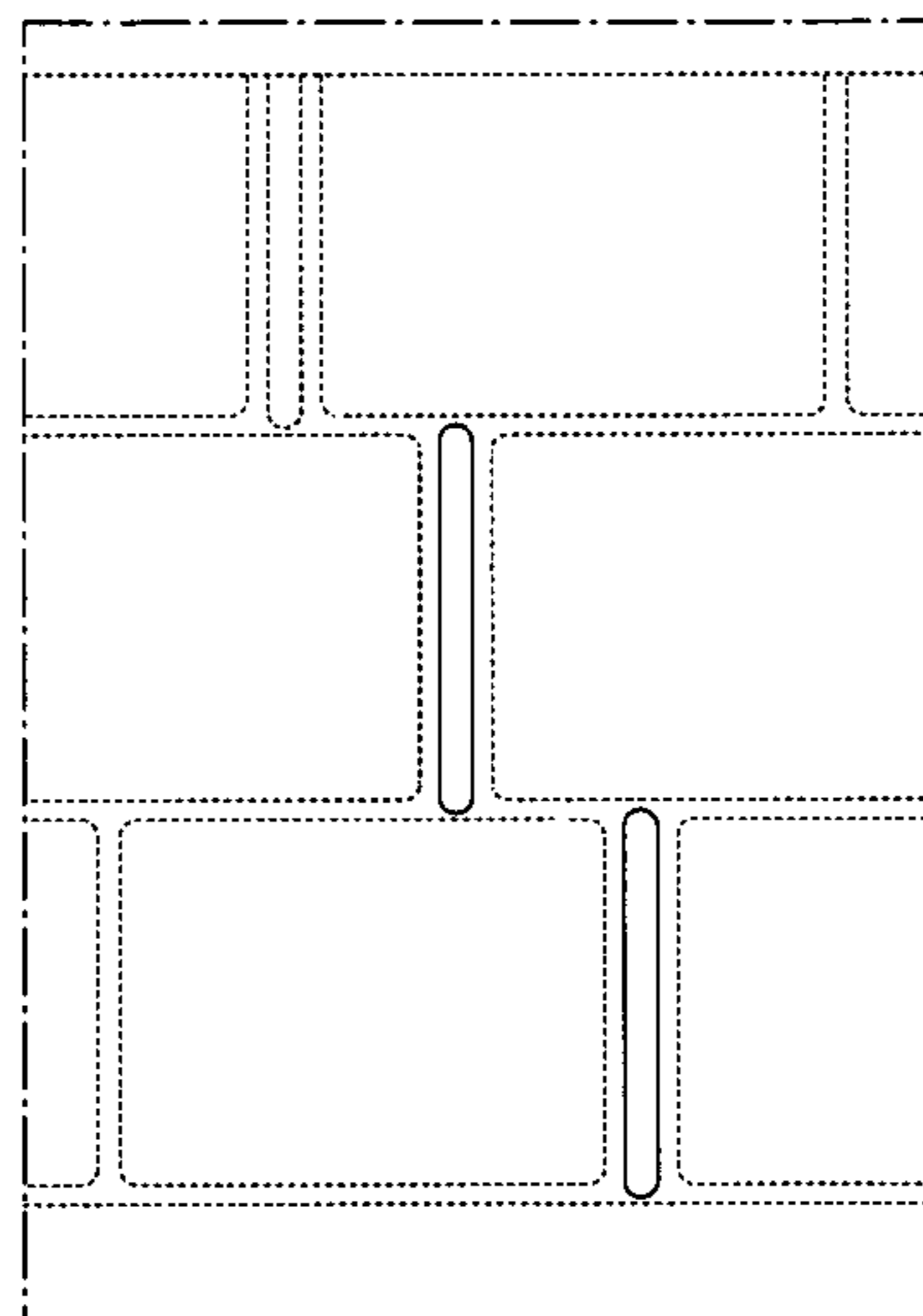
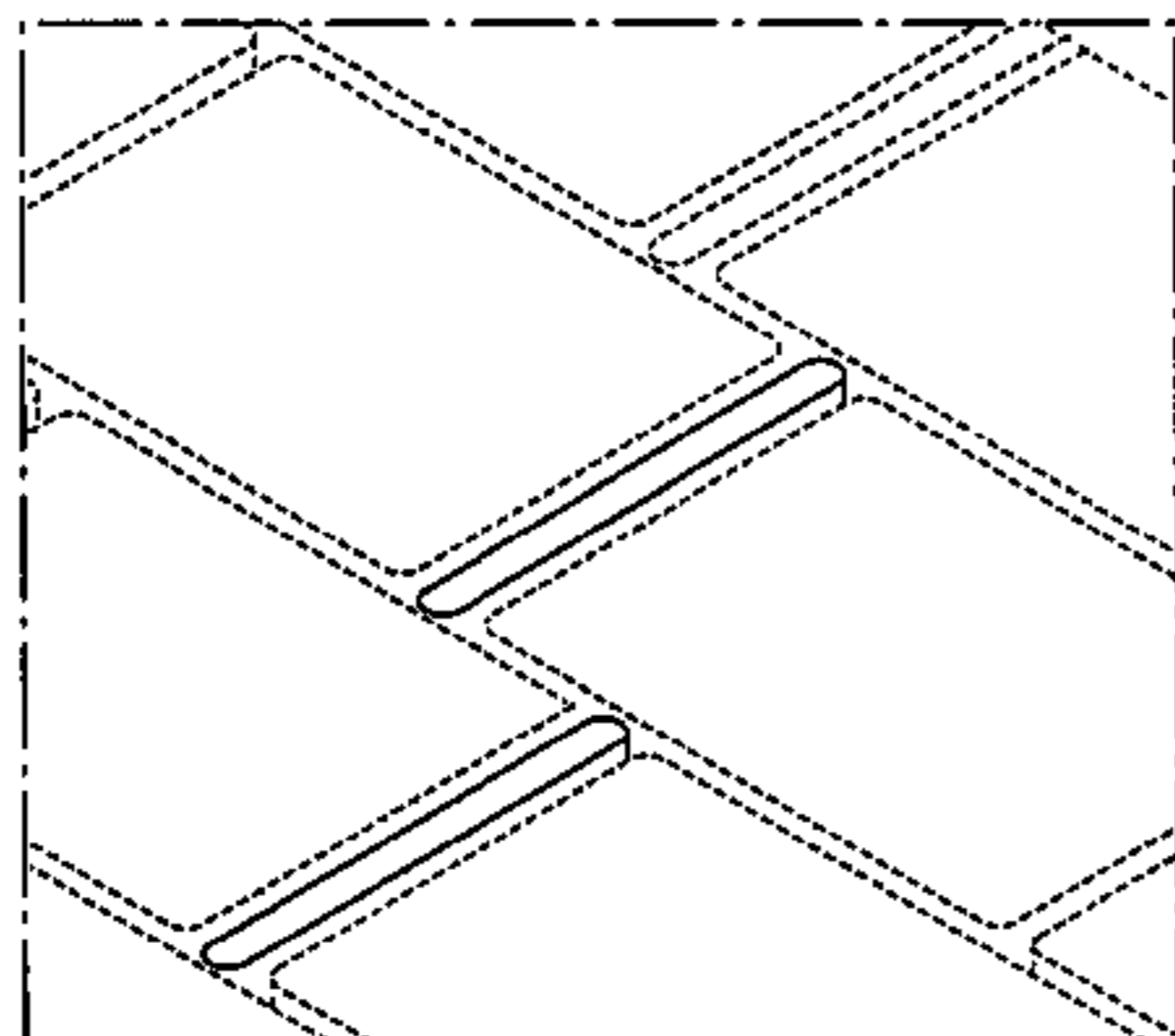
FIG. 4 is a front elevational view thereof;

FIG. 5 is an enlarged perspective view thereof along the lines 5-5 and 5'-5' of FIG. 1; and,

FIG. 6 is an enlarged front elevational view thereof along the lines 6-6 and 6'-6' of FIG. 2.

The broken lines are directed to environment and are for illustrative purposes only. The broken lines form no part of the claimed design.

1 Claim, 6 Drawing Sheets



U.S. PATENT DOCUMENTS

D576,991 S * 9/2008 Kim et al. D14/138 AA
D577,018 S * 9/2008 Lin D14/346
D578,098 S * 10/2008 Oh D14/138 AD
D580,929 S * 11/2008 Kao et al. D14/346
D580,930 S * 11/2008 Chien et al. D14/346
D581,384 S * 11/2008 Kim et al. D14/138 AD
D582,373 S * 12/2008 Cao et al. D14/138 AA
D582,378 S * 12/2008 Kim et al. D14/138 AD
D583,369 S * 12/2008 Boyd et al. D14/248
D584,269 S * 1/2009 Baik et al. D14/138 AA
D587,669 S * 3/2009 Aarras D14/138 AA
D590,793 S * 4/2009 Kim et al. D14/138 AD
D590,820 S * 4/2009 Schellen D14/247
D591,251 S * 4/2009 Laine et al. D14/138 AA
D591,252 S * 4/2009 Kim et al. D14/138 G
D592,212 S * 5/2009 Hamada et al. D14/346
D592,628 S * 5/2009 Kim et al. D14/138 AD
D597,047 S * 7/2009 Jung et al. D14/138 AA
D598,416 S * 8/2009 Kangasmaa et al. .. D14/138 AA
D600,663 S * 9/2009 Tan et al. D14/138 AB
D602,901 S * 10/2009 Eguchi et al. D14/138 G
D603,361 S * 11/2009 Kang D14/138 AA
D605,623 S * 12/2009 Aarras D14/138 AD
D605,644 S * 12/2009 Stone et al. D14/248
D606,539 S * 12/2009 Liao et al. D14/346
D607,429 S * 1/2010 Lim et al. D14/138 G
D607,863 S * 1/2010 Bang et al. D14/138 AA
D611,030 S * 3/2010 Hirano D14/138 G
D611,924 S * 3/2010 Ou et al. D14/138 AD
D618,245 S * 6/2010 Ferrari et al. D14/439
D619,985 S * 7/2010 Choi et al. D14/138 G
D622,248 S * 8/2010 Kwon et al. D14/138 G
D622,721 S * 8/2010 Wood et al. D14/341
D630,629 S * 1/2011 Seifert et al. D14/341
7,872,861 B2 * 1/2011 Ou et al. 361/679.27
7,885,693 B2 * 2/2011 Park et al. 455/575.4
D633,888 S * 3/2011 Eguchi D14/138 AD
D634,294 S * 3/2011 Dhondt D14/138 AD
D635,967 S * 4/2011 Montin et al. D14/248
D641,335 S * 7/2011 Lee et al. D14/138 AA
2004/0116158 A1 * 6/2004 Rytivaara et al. 455/566
2005/0043063 A1 * 2/2005 Dinn 455/566
2007/0123320 A1 * 5/2007 Han et al. 455/575.1
2009/0061959 A1 * 3/2009 Cheng et al. 455/575.3
2009/0227301 A1 * 9/2009 Lindvall 455/575.4
2010/0048250 A1 * 2/2010 Jiang et al. 455/566

2010/0113100 A1 * 5/2010 Harmon et al. 455/566
2010/0207903 A1 * 8/2010 Kim et al. 345/173
2010/0208434 A1 * 8/2010 Kim et al. 361/729
2010/0302166 A1 * 12/2010 Zhang 345/169
2011/0003622 A1 * 1/2011 Hwang 455/575.1
2011/0003624 A1 * 1/2011 Jung et al. 455/575.4

OTHER PUBLICATIONS

LG KC910, announced Aug. 2008, [online], [retrieved on Aug. 22, 2008 & Sep. 5, 2008]. Retrieved from Internet ,<URL: <http://www.gsmarena.com>>.*
LG KC910i Renoir, announced Feb. 2009, [online], [retrieved on Feb. 20, 2009]. Retrieved from Internet ,<URL: <http://www.gsmarena.com>>.*
LG Fathom, announced May 2010, [online], [retrieved on Jun. 11, 2010]. Retrieved from Internet ,<URL: <http://www.gsmarena.com>>.*
HTC P4550, announced Jul. 2007, [online], [retrieved on Aug. 6, 2007]. Retrieved from Internet ,<URL: <http://www.gsmarena.com>>.*
LG KM380, announced Jun. 2008, [online], [retrieved on Sep. 5, 2008]. Retrieved from Internet ,<URL: <http://www.gsmarena.com>>.*
LG KF900 Prada, announced Oct. 2008, [online], [retrieved on Nov. 8, 2008]. Retrieved from Internet ,<URL: <http://www.gsmarena.com>>.*
Nokia 5330 XpressMusic, announced Mar. 2009, [online], [retrieved on Mar. 20, 2009]. Retrieved from Internet ,<URL: <http://www.gsmarena.com>>.*
Pantech Duo, announced Oct. 2007, [online], [retrieved on Jan. 18, 2008]. Retrieved from Internet ,<URL: <http://www.gsmarena.com>>.*
Pantech Laser, announced Oct. 2010, [online], [retrieved on Oct. 13, 2010]. Retrieved from Internet ,<URL: <http://www.gsmarena.com>>.*
Samsung G800, announced Oct. 2007, [online], [retrieved on Dec. 13, 2007]. Retrieved from Internet ,<URL: <http://www.gsmarena.com>>.*
Samsung A777, announced Nov. 2008, [online], [retrieved on Nov. 18, 2008]. Retrieved from Internet ,<URL: <http://www.gsmarena.com>>.*

* cited by examiner

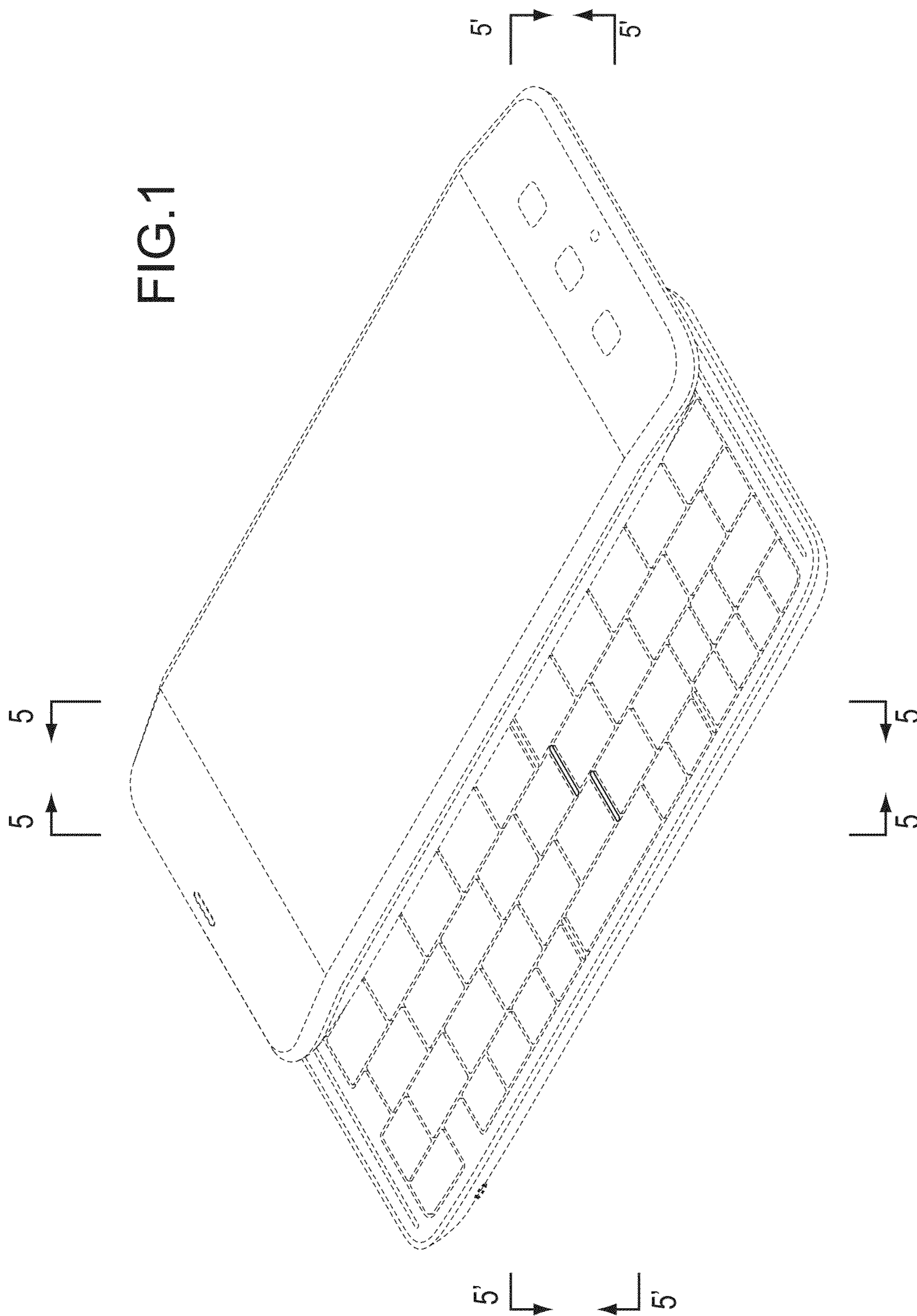
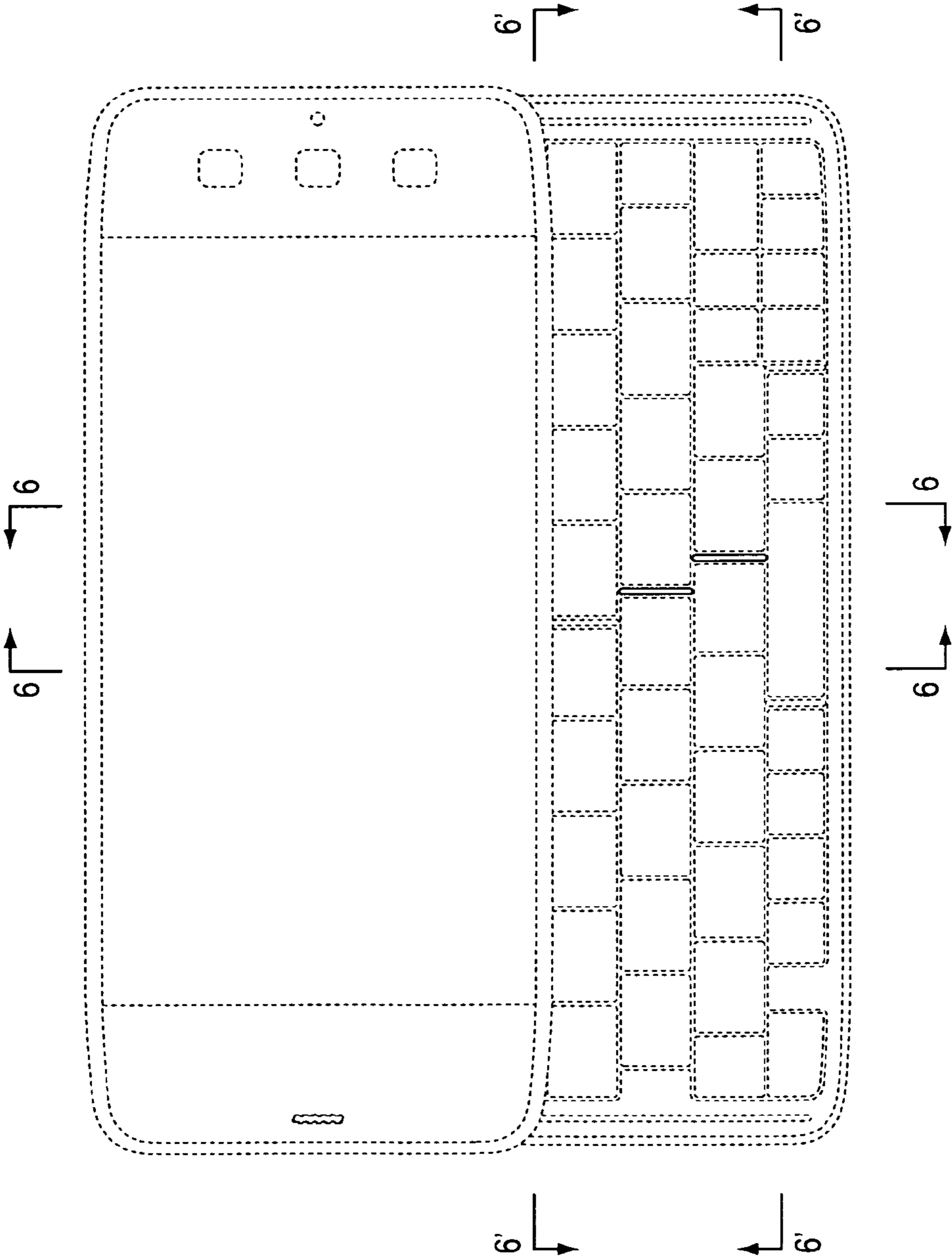


FIG.2



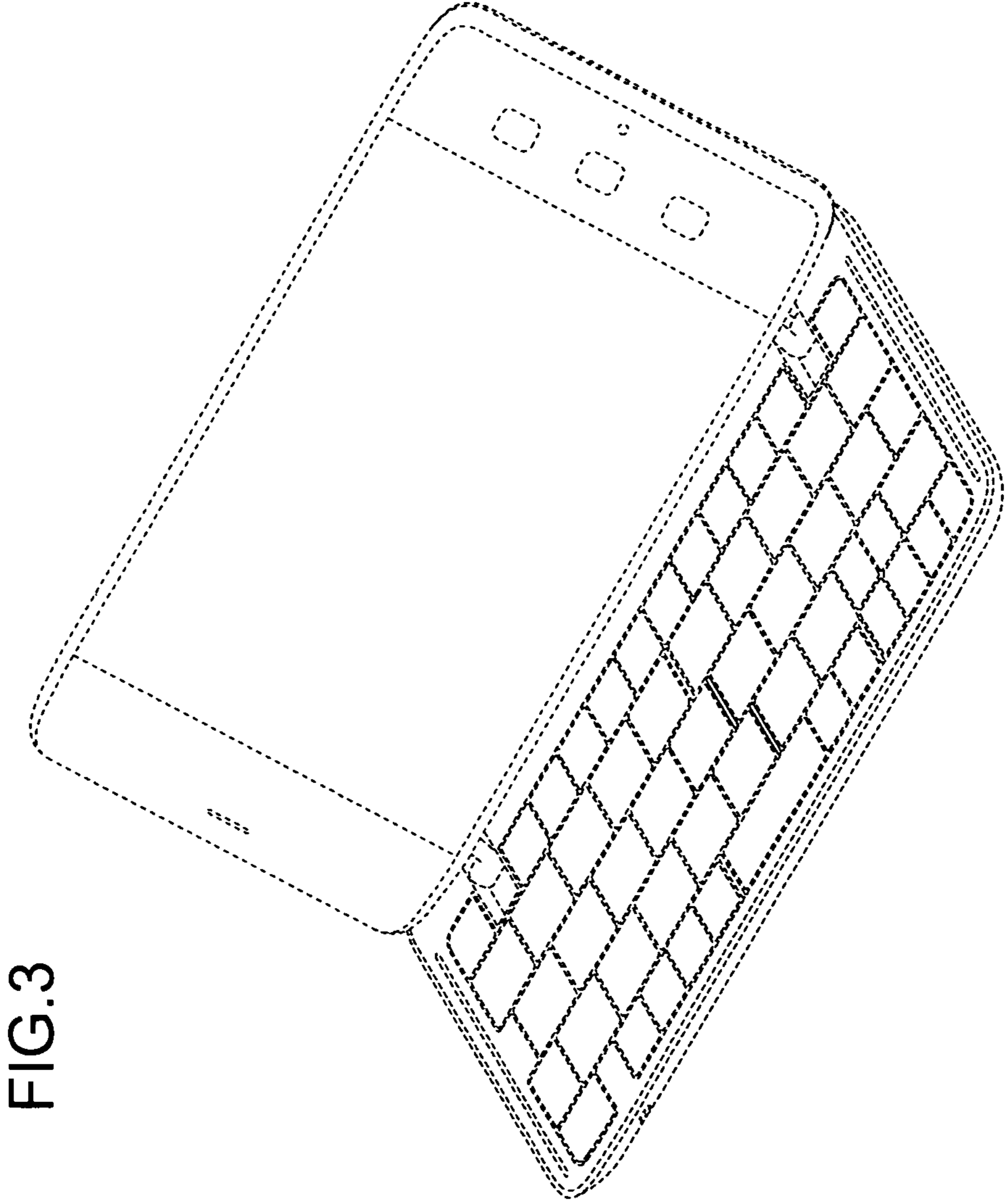


FIG. 3

FIG.4

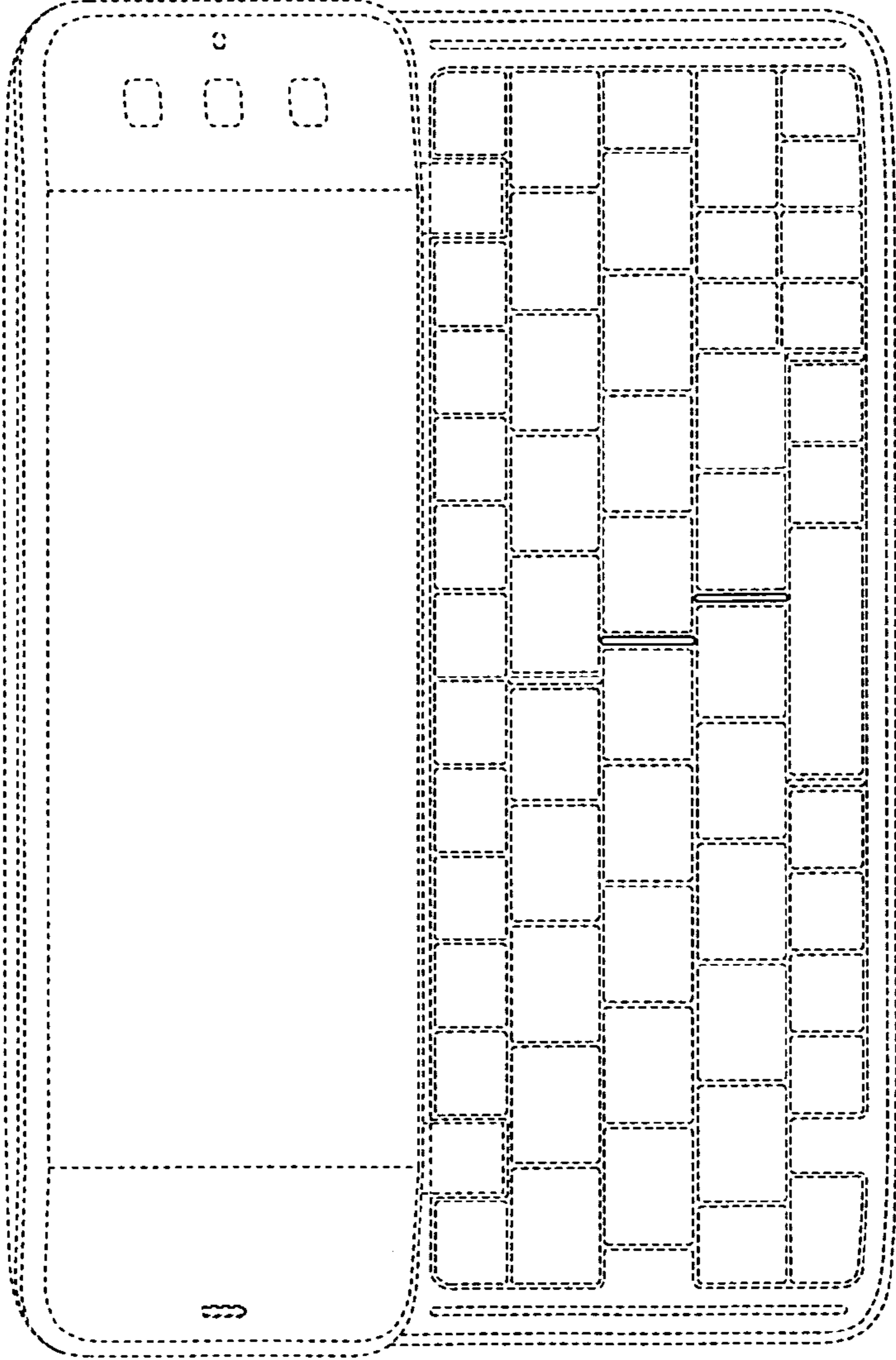


FIG.5

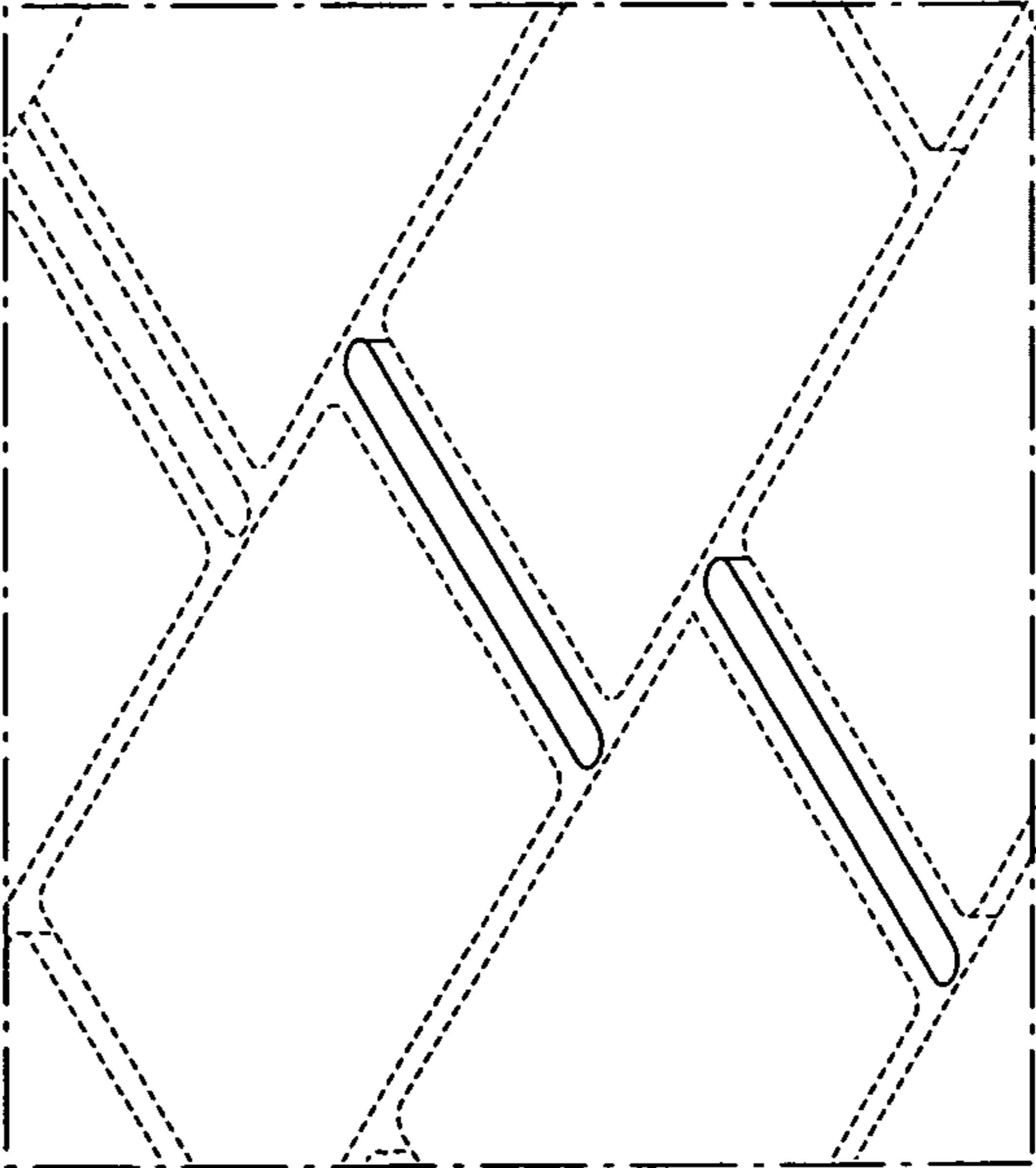


FIG. 6

