



US00D687023S

(12) **United States Design Patent**  
**Jung et al.**

(10) **Patent No.:** **US D687,023 S**

(45) **Date of Patent:** **\*\* Jul. 30, 2013**

(54) **MODEM**

(74) *Attorney, Agent, or Firm* — Susan R. Payne

(75) Inventors: **Thomas A Jung**, San Diego, CA (US);  
**Jeff L Dorsett**, Ramona, CA (US); **Yung Chun Lu**, Taipei (TW); **Kevin C O’Leary**, Hatboro, PA (US); **Jonathan T Preston**, San Diego, CA (US); **Walter P Viramontez**, Santee, CA (US); **Liang Hua Wu**, Taipei (TW)

(57) **CLAIM**

The ornamental design for a modem, as shown and described.

(73) Assignee: **General Instrument Corporation**,  
Horsham, PA (US)

**DESCRIPTION**

(\*\*) Term: **14 Years**

FIG. 1 is a front perspective view of a first embodiment of an ornamental design for a modem;

(21) Appl. No.: **29/426,307**

FIG. 2 is a rear perspective view of the first embodiment thereof;

(22) Filed: **Jul. 3, 2012**

FIG. 3 is a first side view of the first embodiment thereof;

(51) **LOC (9) Cl.** ..... **14-03**

FIG. 4 is a second side view of the first embodiment thereof;

(52) **U.S. Cl.**

FIG. 5 is a front view of the first embodiment thereof;

USPC ..... **D14/242**

FIG. 6 is a rear view of the first embodiment thereof;

(58) **Field of Classification Search**

USPC ..... D14/242, 240, 357, 358, 140–140.9,  
D14/155, 137, 139, 243, 348, 349, 351, 354,  
D14/355; 375/222; 455/557; 725/111

FIG. 7 is a top view of the first embodiment thereof; and

FIG. 8 is a bottom view of the first embodiment thereof.

See application file for complete search history.

FIG. 9 is a front perspective view of a second embodiment of an ornamental design for a modem;

(56) **References Cited**

**U.S. PATENT DOCUMENTS**

D311,740 S *	10/1990	Wagner	.....	D14/358
D417,223 S *	11/1999	Groves et al.	.....	D14/242
D473,547 S *	4/2003	Tanaka	.....	D14/242
D473,549 S *	4/2003	Nishi	.....	D14/242
D519,993 S *	5/2006	Montgomery et al.	.....	D14/240
D524,810 S *	7/2006	Noda et al.	.....	D14/349
D530,315 S *	10/2006	Liu	.....	D14/240
D538,273 S *	3/2007	Liu	.....	D14/240

FIG. 10 is a rear perspective view of the second embodiment thereof;

FIG. 11 is a first side view of the second embodiment thereof;

FIG. 12 is a second side view of the second embodiment thereof;

FIG. 13 is a front view of the second embodiment thereof;

FIG. 14 is a rear view of the second embodiment thereof;

FIG. 15 is a top view of the second embodiment thereof; and

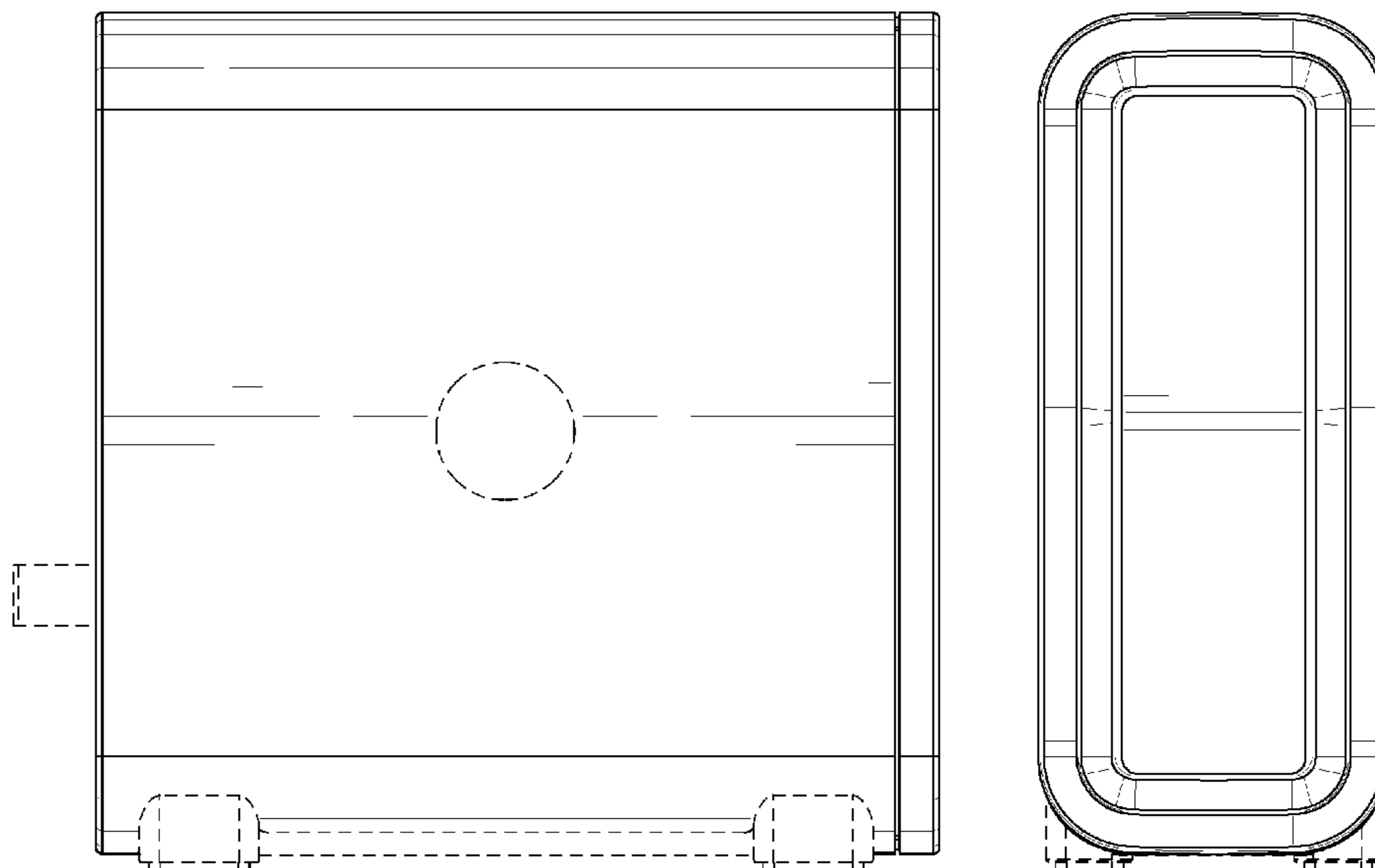
FIG. 16 is a bottom view of the second embodiment thereof.

The broken lines shown in FIGS. 1-8, that are immediately adjacent to the shaded areas, and define unshaded regions, represent the bounds of the first embodiment, while all other broken lines are directed to environment and are for illustrative purposes only; the broken lines form no part of the first embodiment.

(Continued)

*Primary Examiner* — Bridget L Eland

**1 Claim, 12 Drawing Sheets**



# US D687,023 S

Page 2

---

## U.S. PATENT DOCUMENTS

D540,320 S *	4/2007	Noda et al. ....	D14/349	D609,704 S *	2/2010	Sin et al. ....	D14/363
D542,784 S	5/2007	Franck et al.		D616,425 S *	5/2010	Hsia ....	D14/240
D565,571 S *	4/2008	Trifilio et al. ....	D14/434	D617,795 S *	6/2010	Seo et al. ....	D14/351
D568,310 S	5/2008	Franck et al.					

\* cited by examiner

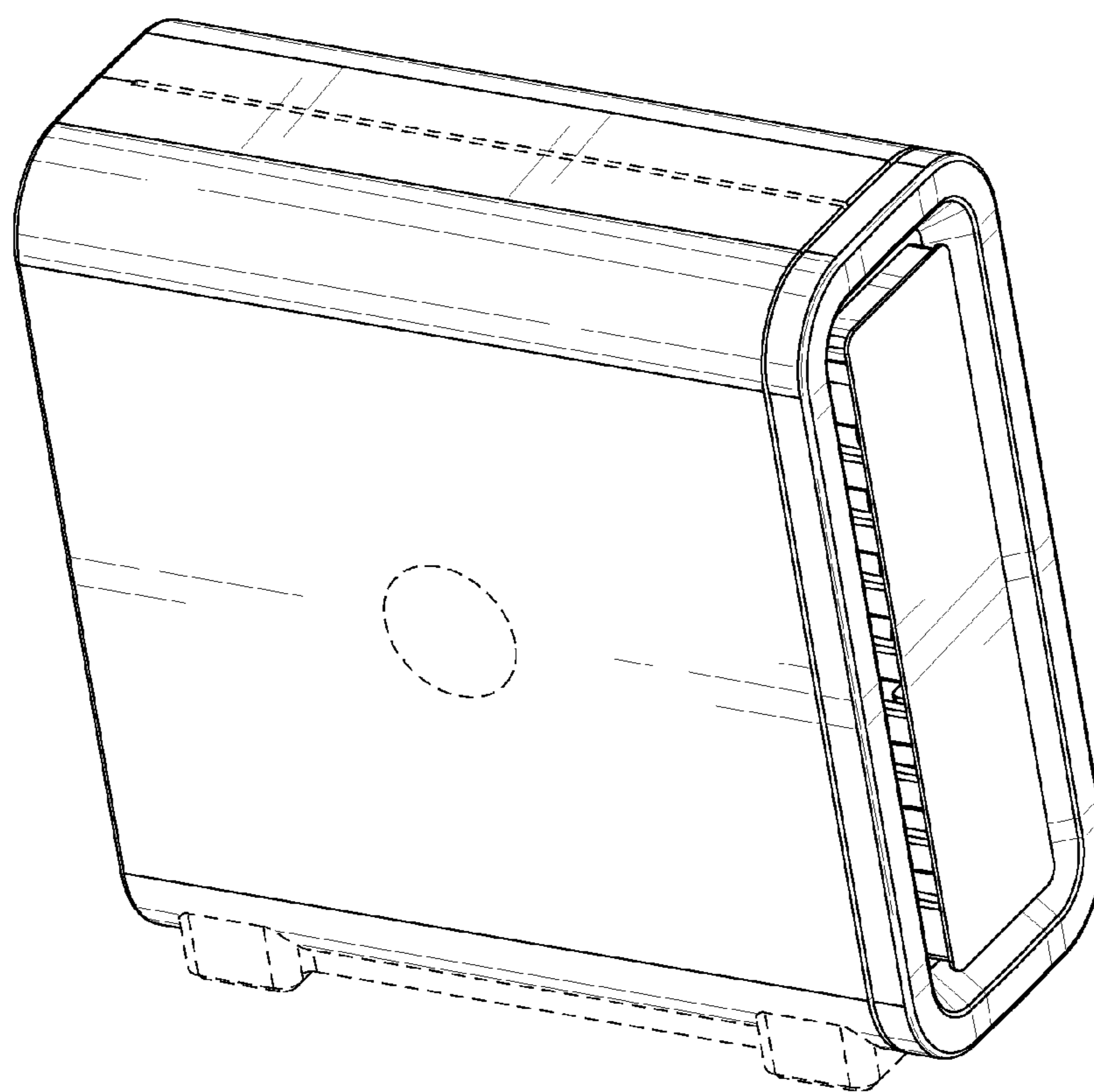


FIG. 1

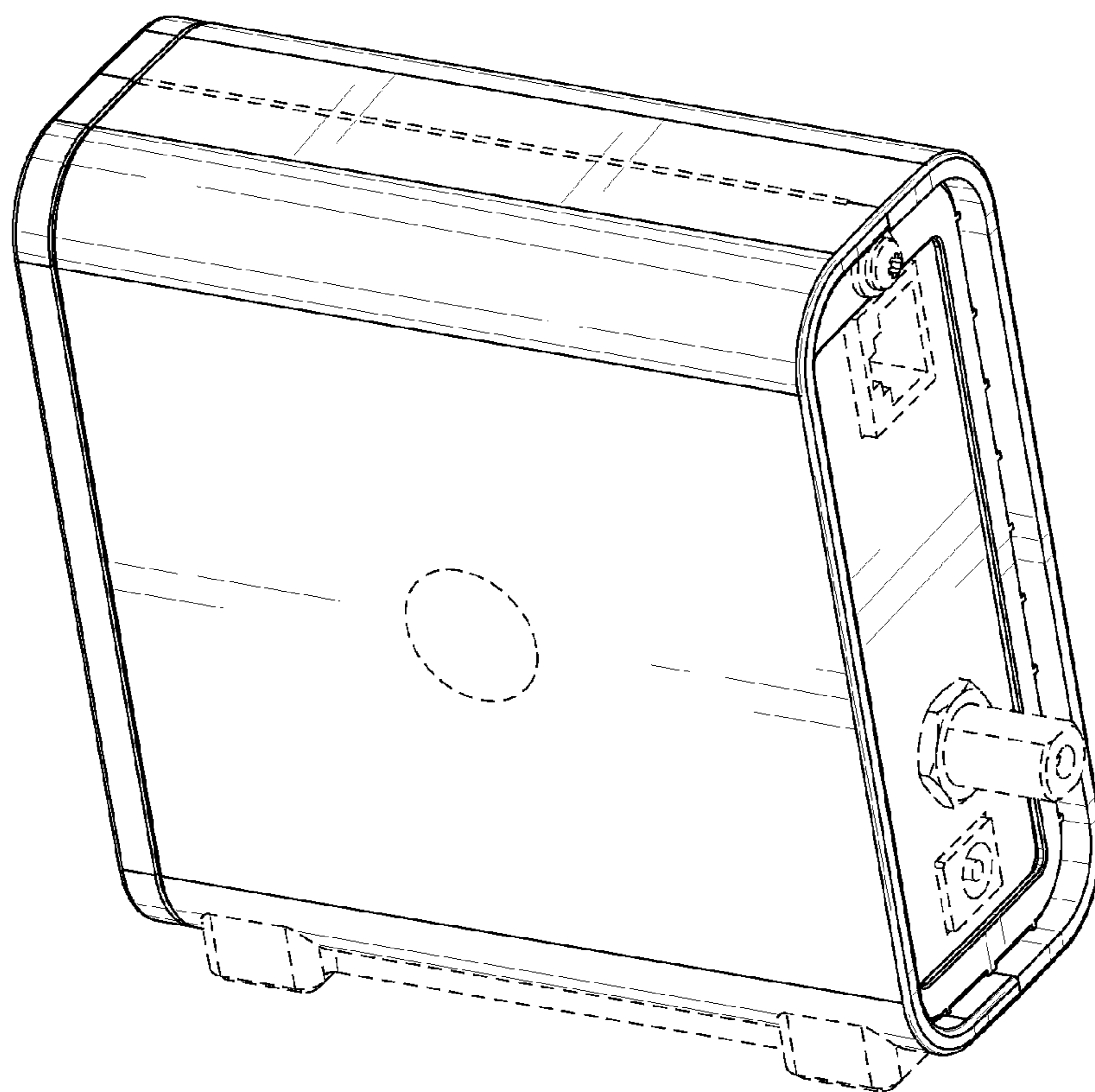


FIG. 2

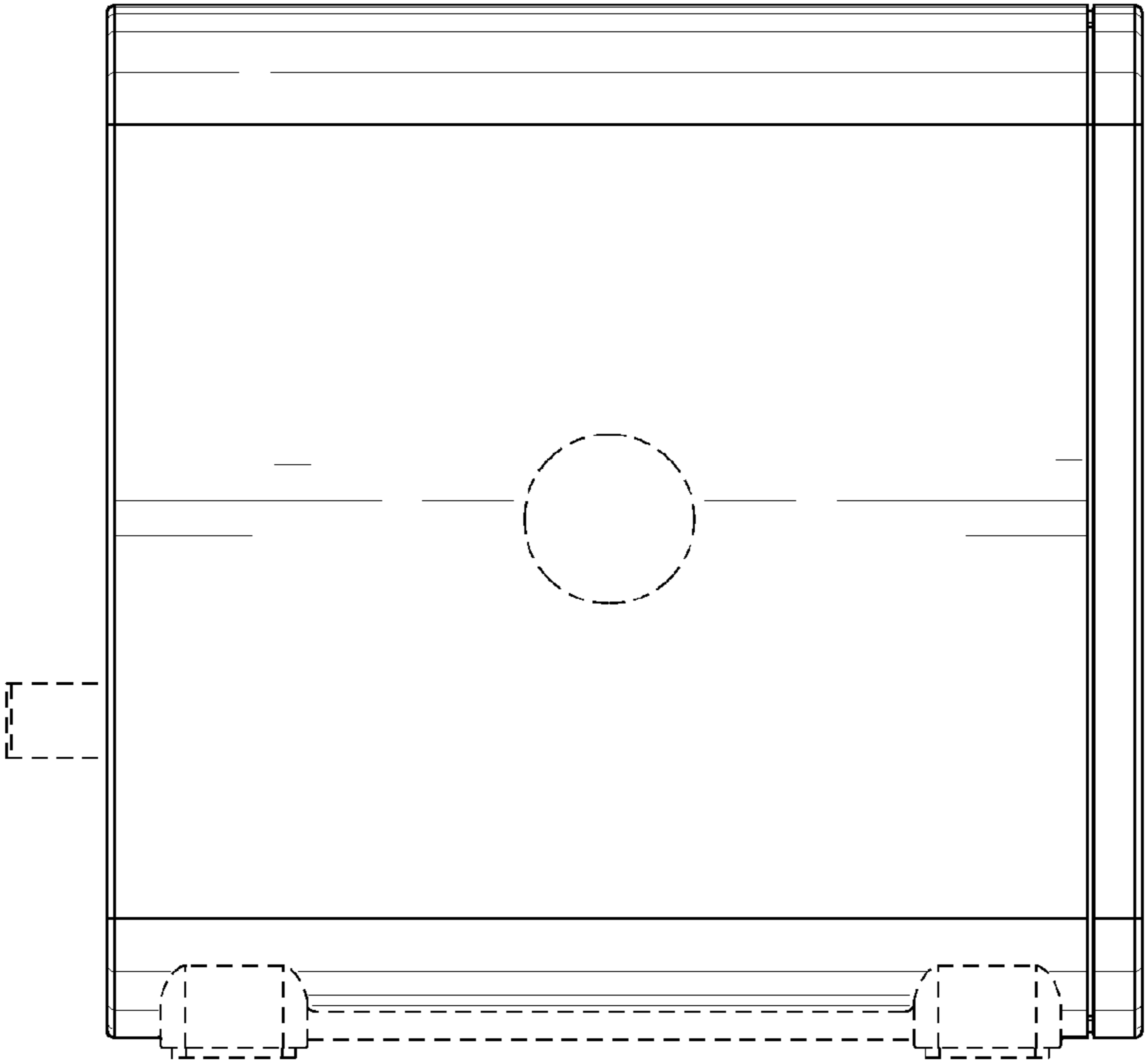


FIG. 3

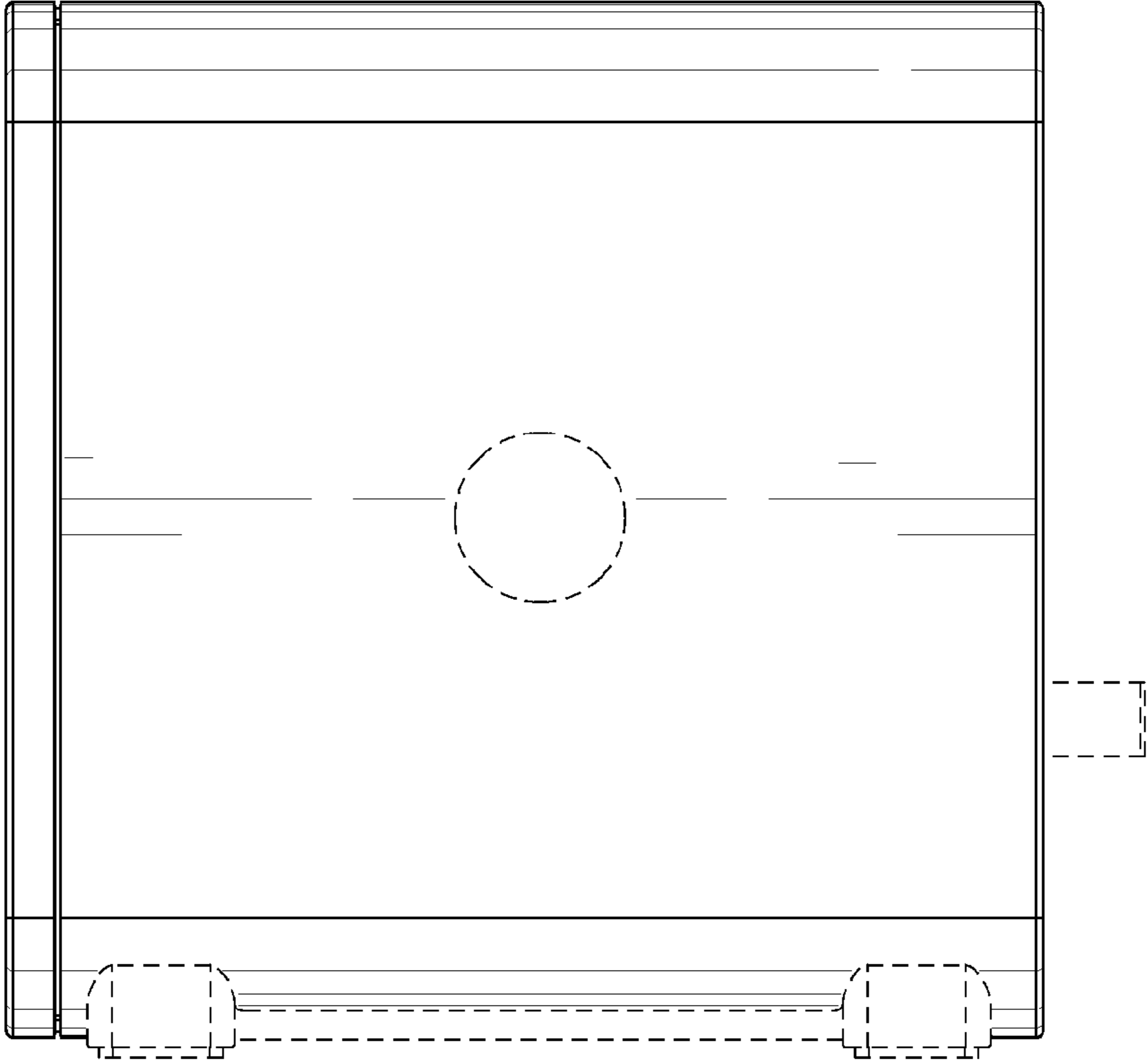


FIG. 4

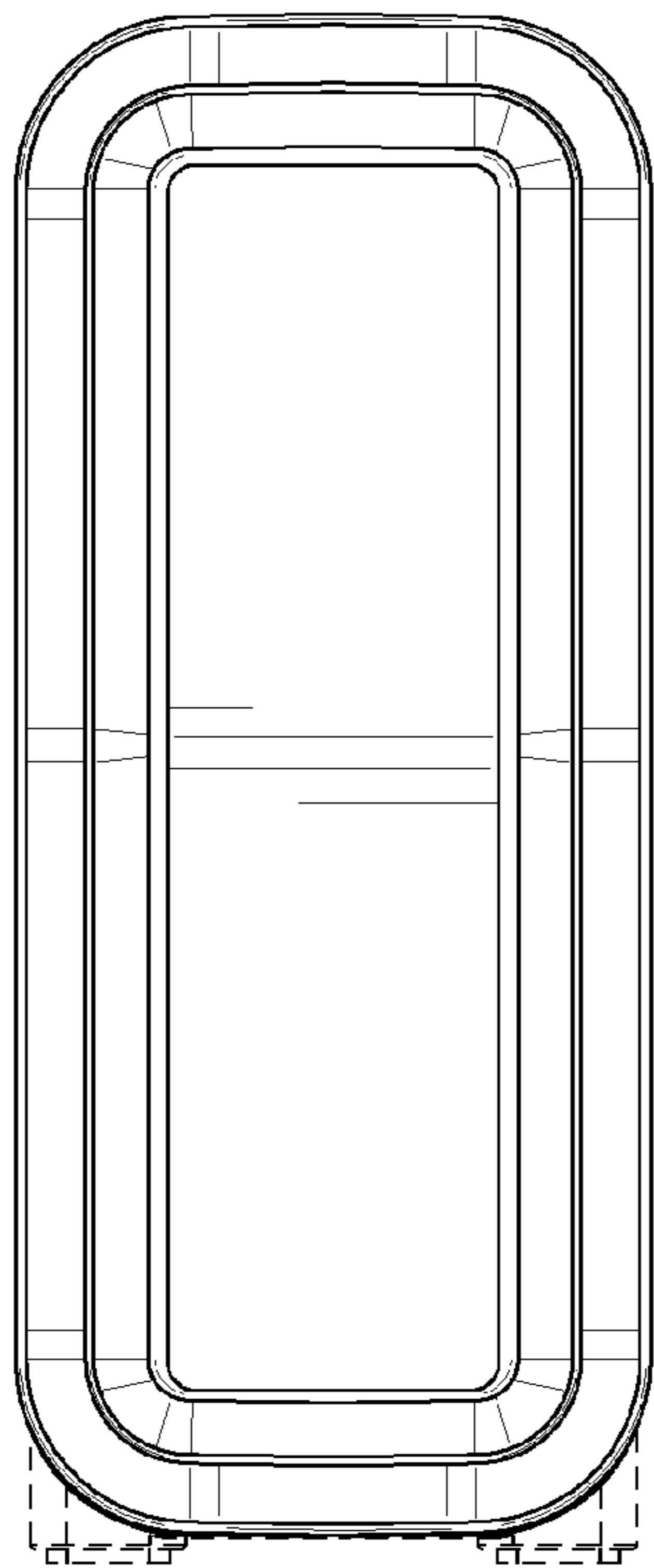


FIG. 5

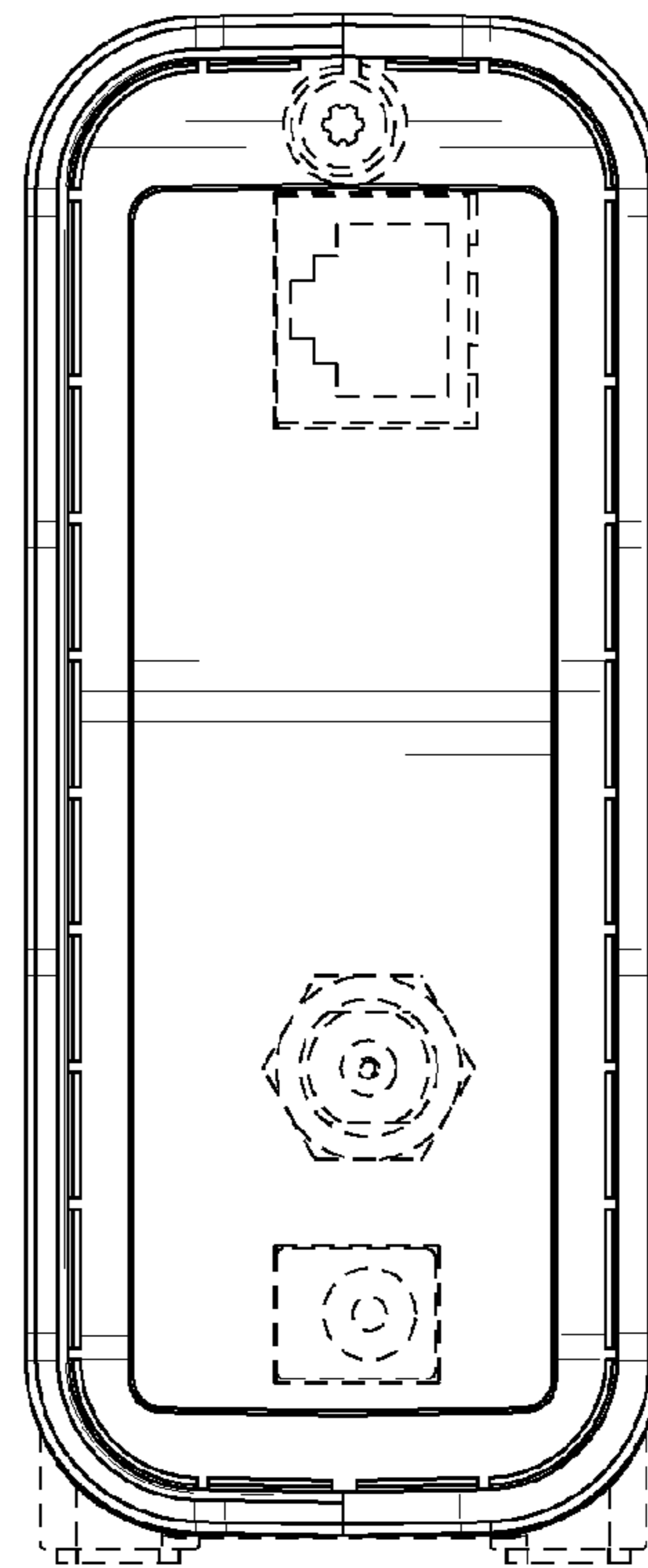


FIG. 6

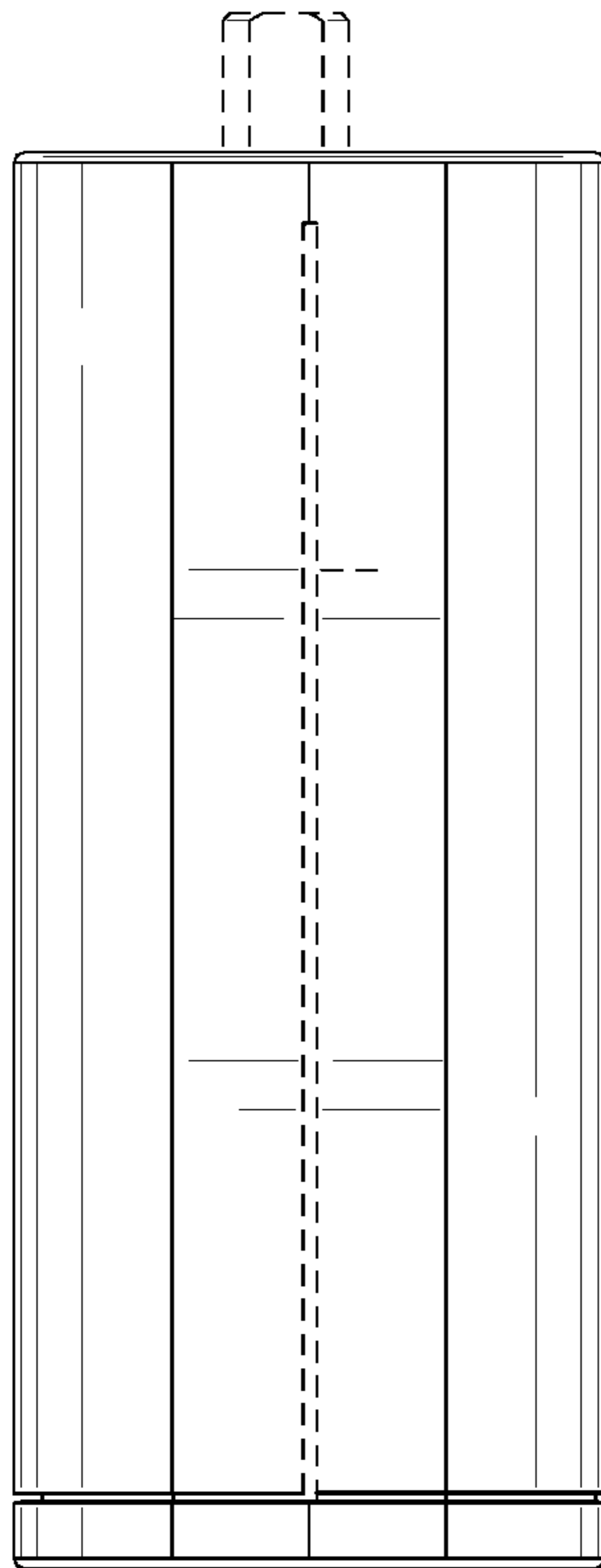


FIG. 7

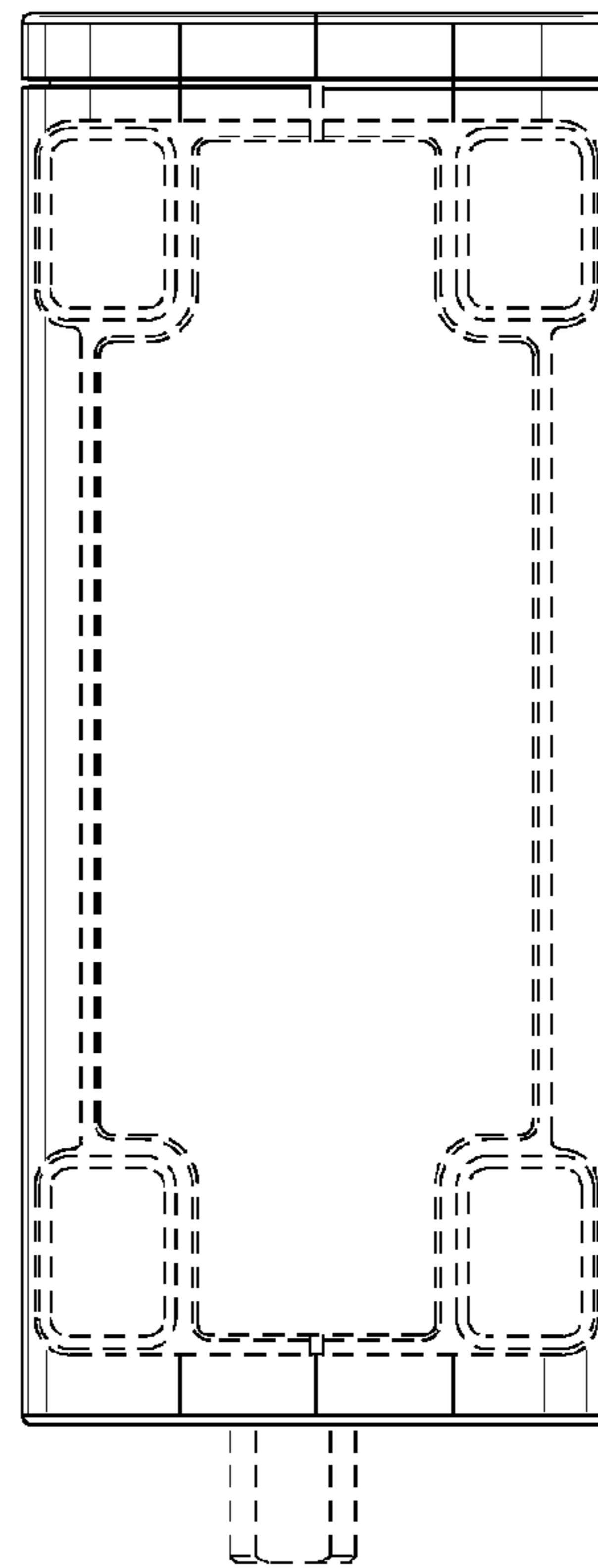


FIG. 8



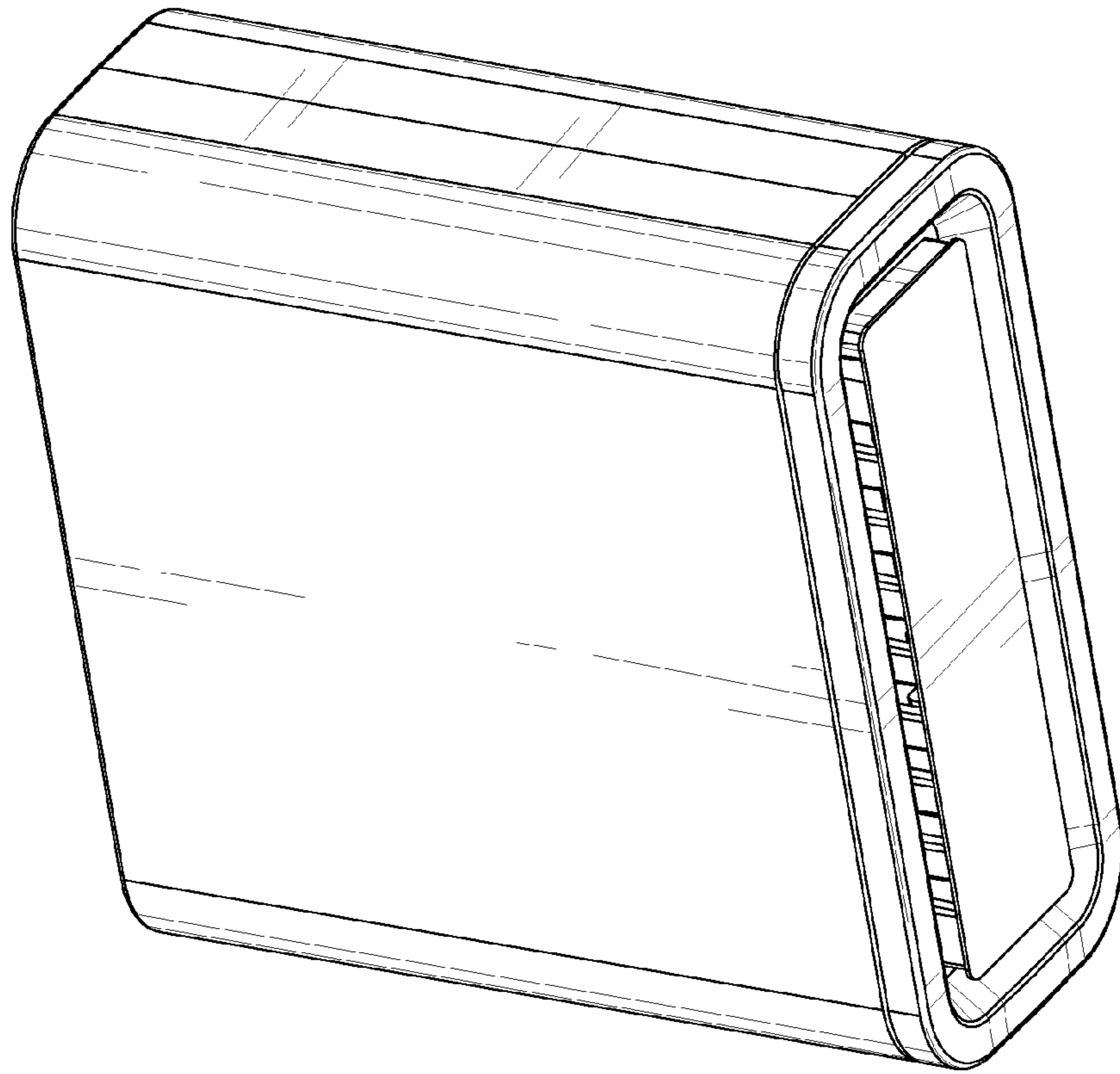


FIG. 9

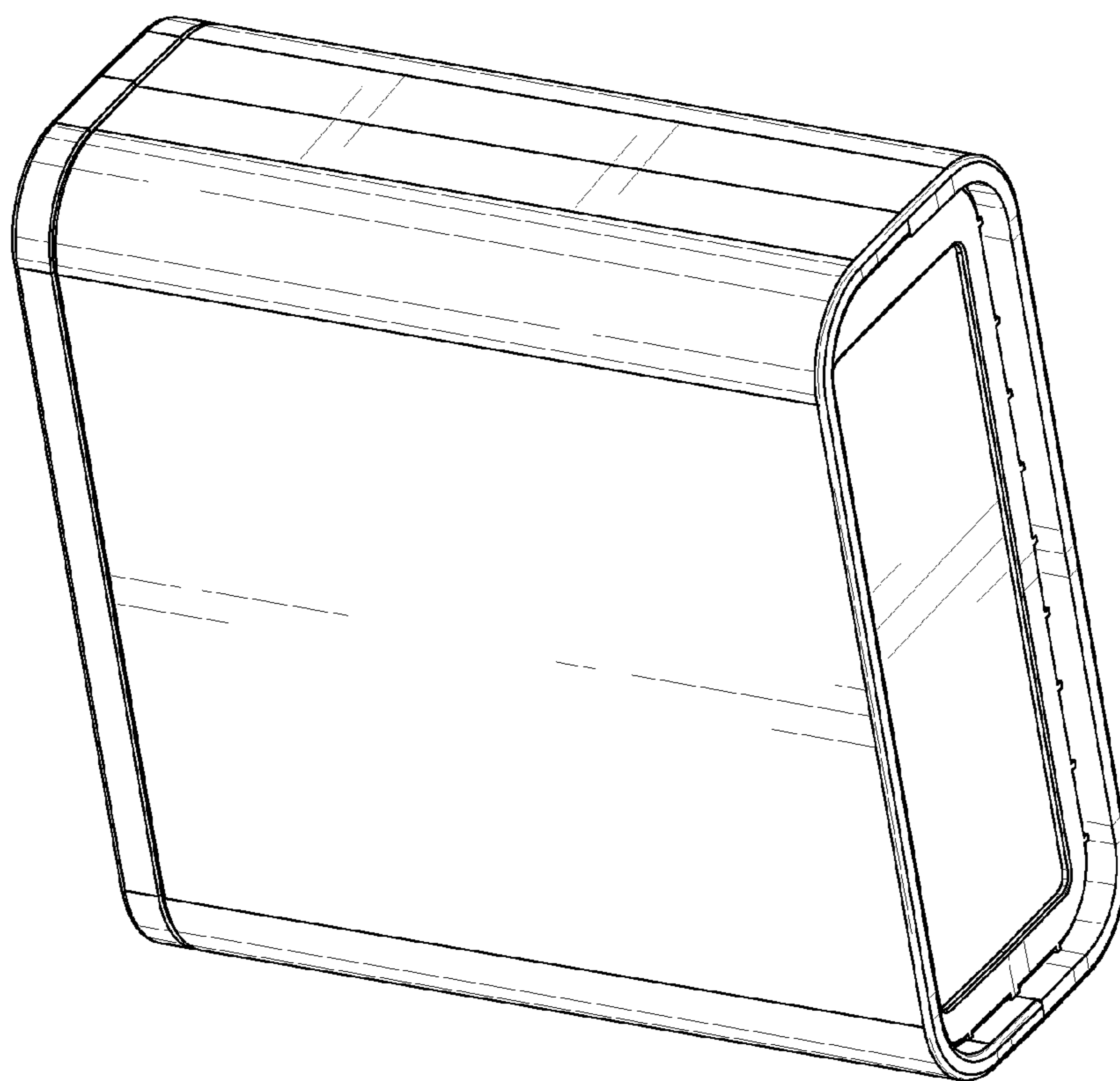


FIG. 10

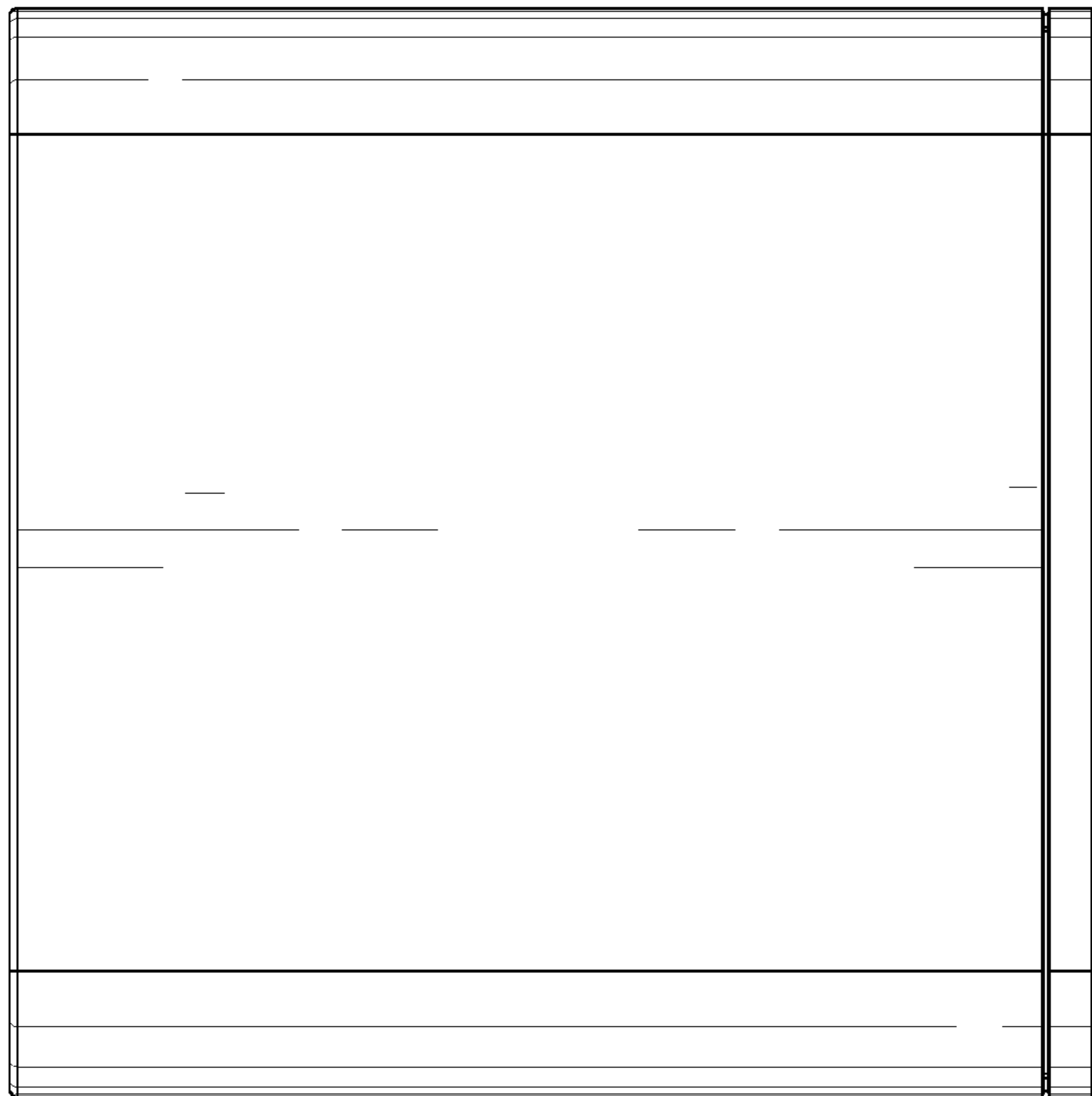


FIG. 11

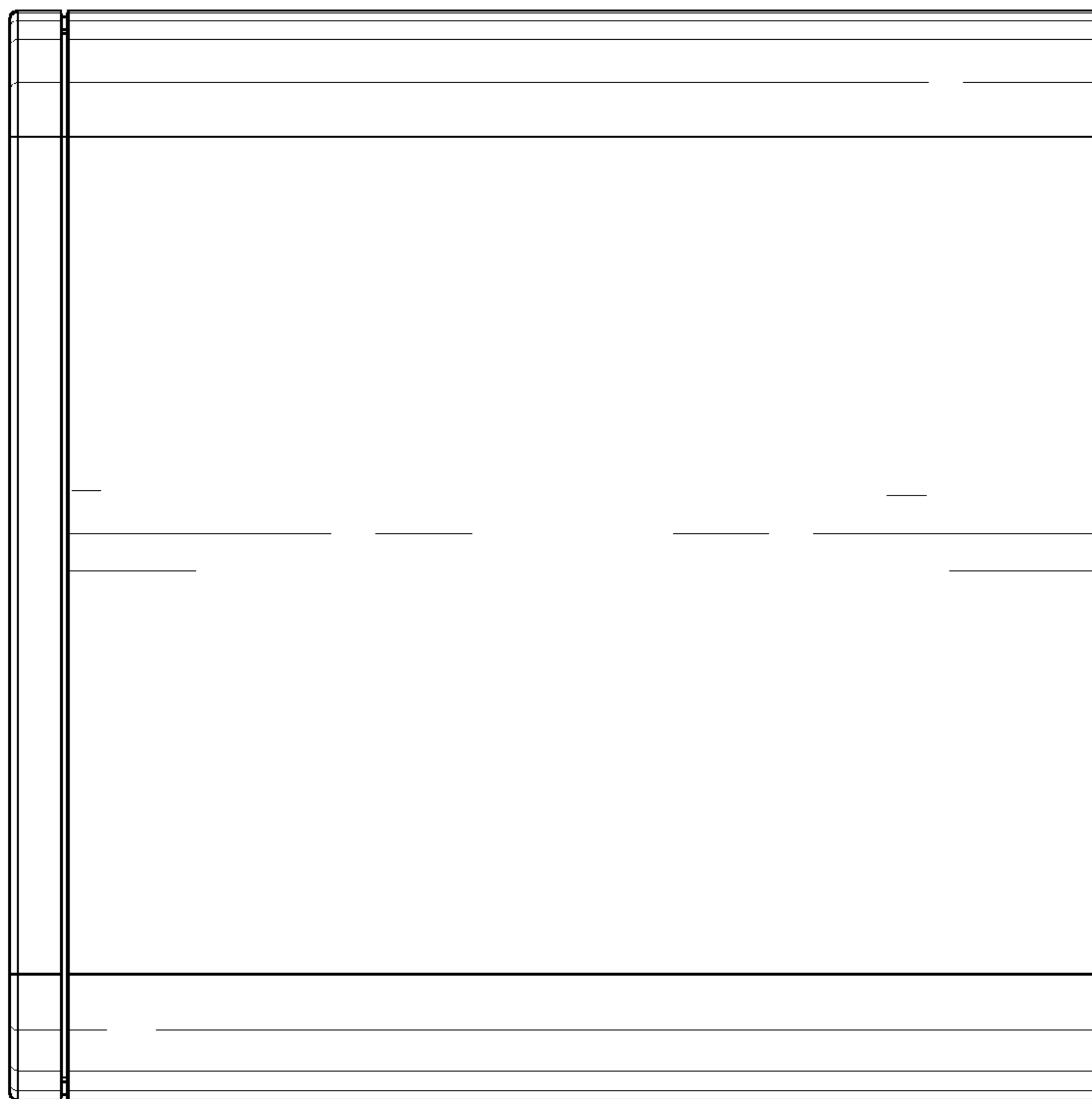


FIG. 12

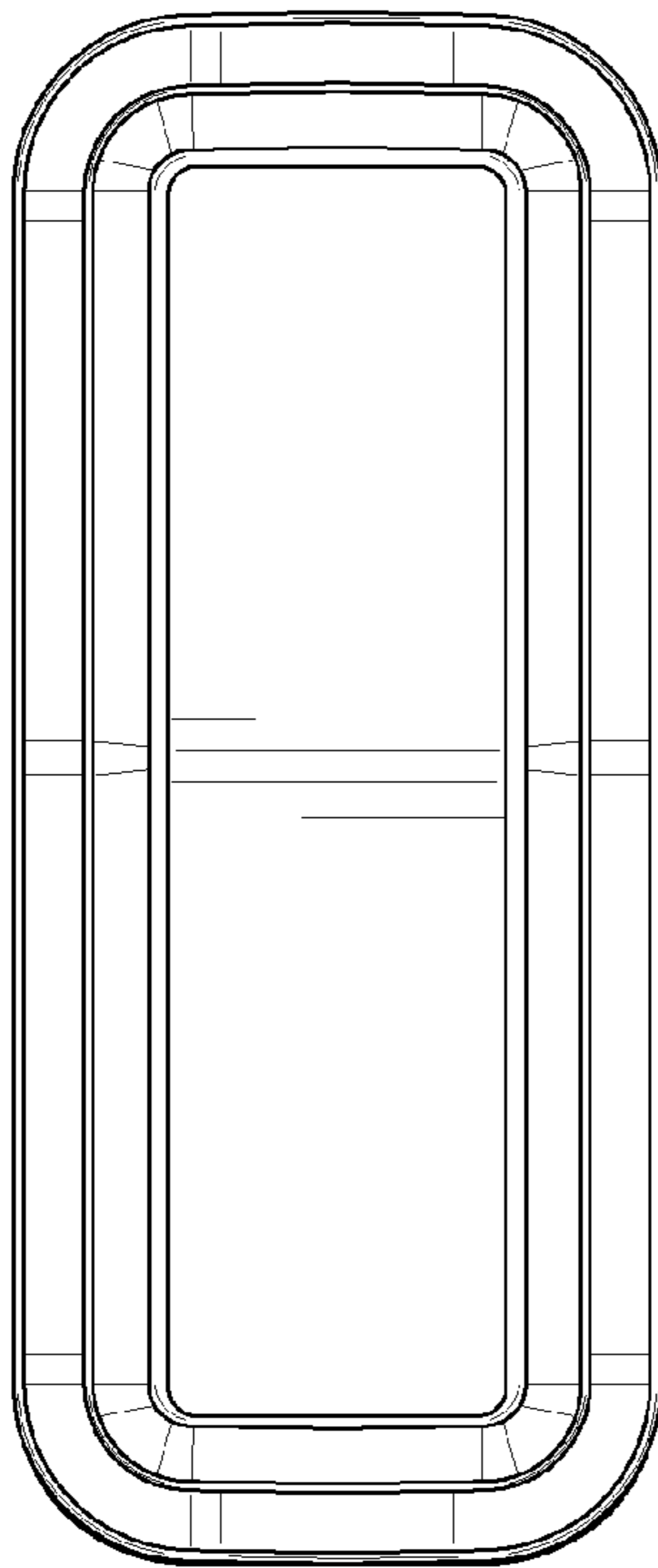


FIG. 13

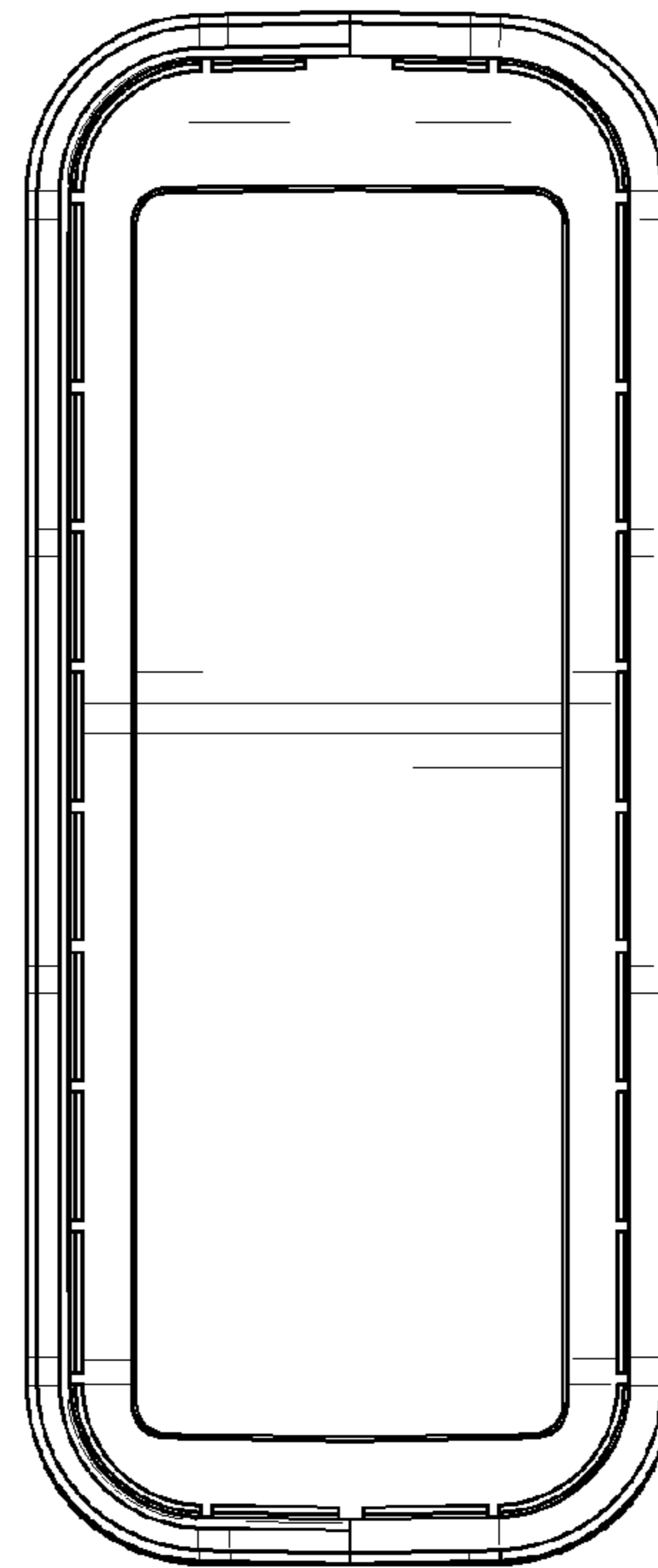


FIG. 14

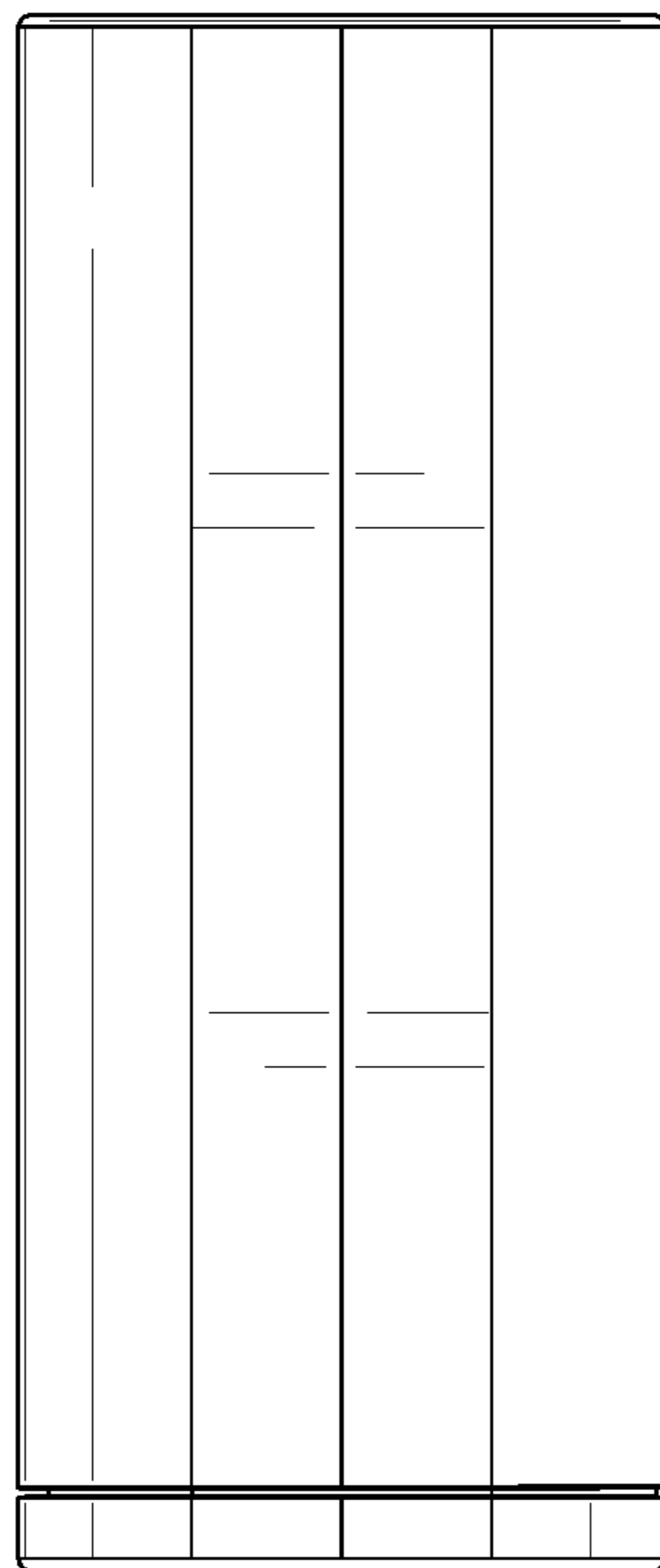


FIG. 15

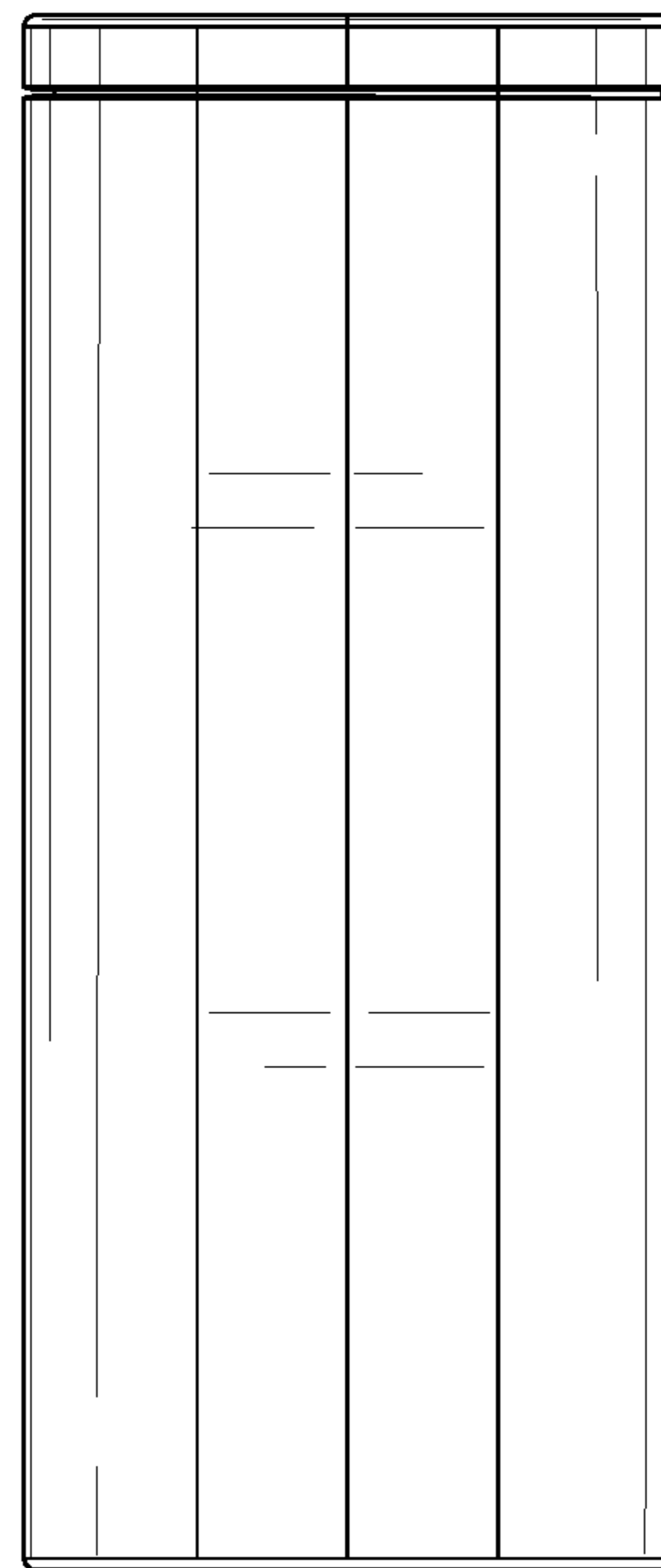


FIG. 16