



US00D687022S

(12) **United States Design Patent**
Vasquez

(10) **Patent No.:** **US D687,022 S**
(45) **Date of Patent:** **** Jul. 30, 2013**

(54) **MOT-SPOT ANTENNA DISH**
(76) Inventor: **Anthony Raymond Vasquez**, Riverside,
CA (US)
(**) Term: **14 Years**
(21) Appl. No.: **29/387,675**
(22) Filed: **Mar. 16, 2011**
(51) **LOC (9) Cl.** **14-03**
(52) **U.S. Cl.**
USPC **D14/231; D14/238**
(58) **Field of Classification Search**
USPC D14/230-238, 299; 343/700 R, 840,
343/841, 908, 872; 455/3.02, FOR. 215,
455/575.2
See application file for complete search history.

D345,362 S 3/1994 Kadono et al.
D356,795 S 3/1995 Schultheiss
D476,646 S * 7/2003 Burns D14/231
D585,883 S 2/2009 Kaneko
7,508,351 B2 * 3/2009 Greenleaf et al. 343/872
D637,186 S * 5/2011 David D14/231

* cited by examiner

Primary Examiner — John Windmuller
(74) *Attorney, Agent, or Firm* — Kirk A. Buhler; Buhler &
Associates

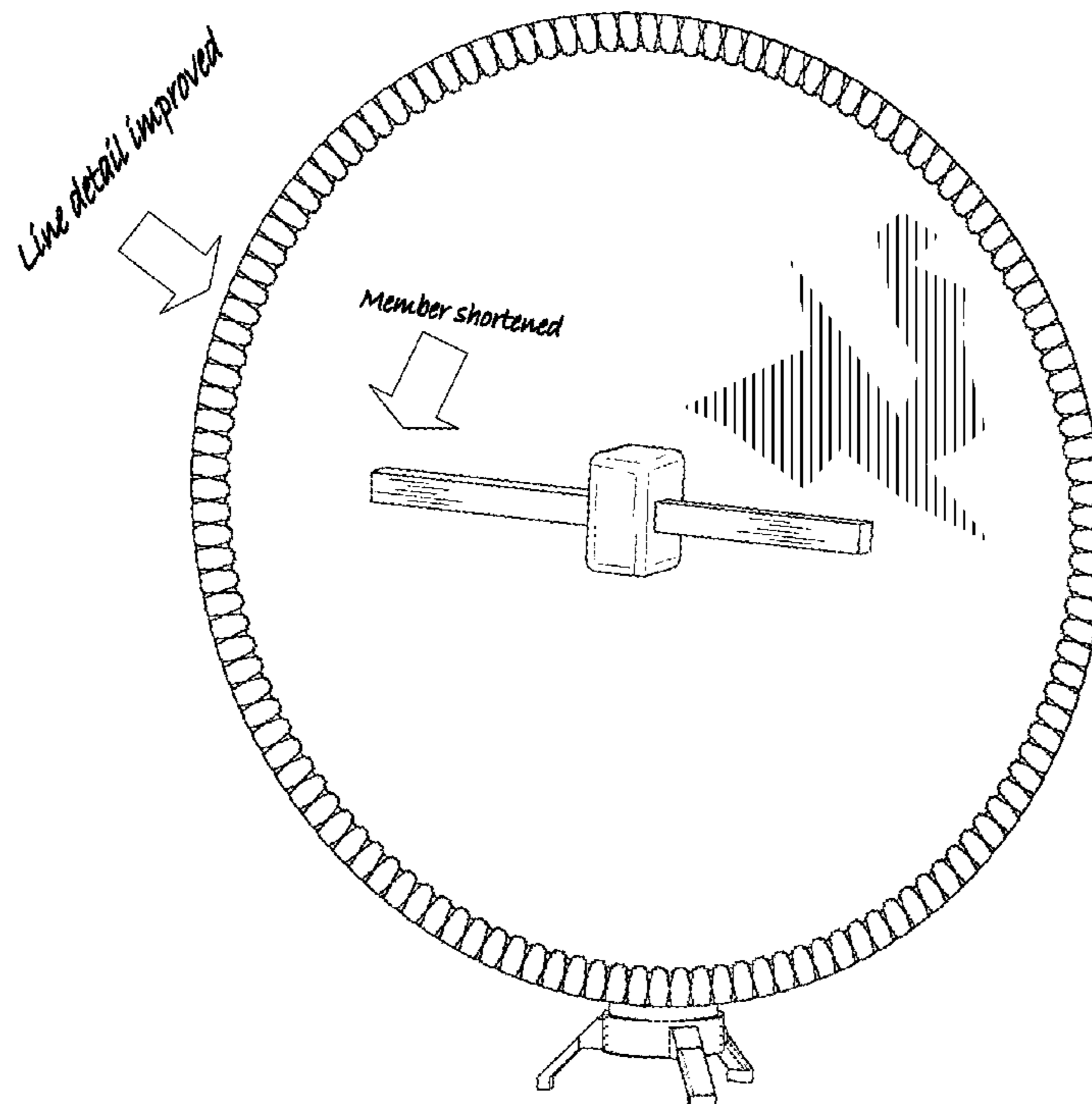
(57) **CLAIM**
The ornamental design for a mot-spot antenna dish, as shown
and described.

DESCRIPTION

(56) **References Cited**
U.S. PATENT DOCUMENTS
D210,223 S 2/1968 Booker
4,656,486 A 4/1987 Turner
D291,573 S * 8/1987 Speckeen et al. D14/231
4,804,972 A 2/1989 Schudel
D304,337 S 10/1989 Tai
D304,454 S * 11/1989 Serres D14/231
D306,862 S 3/1990 Kent
D308,521 S 6/1990 Lonczak
D310,671 S 9/1990 Weiss
5,019,833 A 5/1991 Nonaka
D321,883 S 11/1991 Borchardt

FIG. 1 is a front perspective view of a mot-spot antenna dish
showing my new design;
FIG. 2 is a front view thereof,
FIG. 3 is a back view thereof;
FIG. 4 is a left view thereof;
FIG. 5 is a right view thereof;
FIG. 6 is a top view thereof; and,
FIG. 7 is a bottom view thereof.
The broken lines in FIG. 3 depict environmental subject mat-
ter only and form no part of the claimed design.

1 Claim, 5 Drawing Sheets



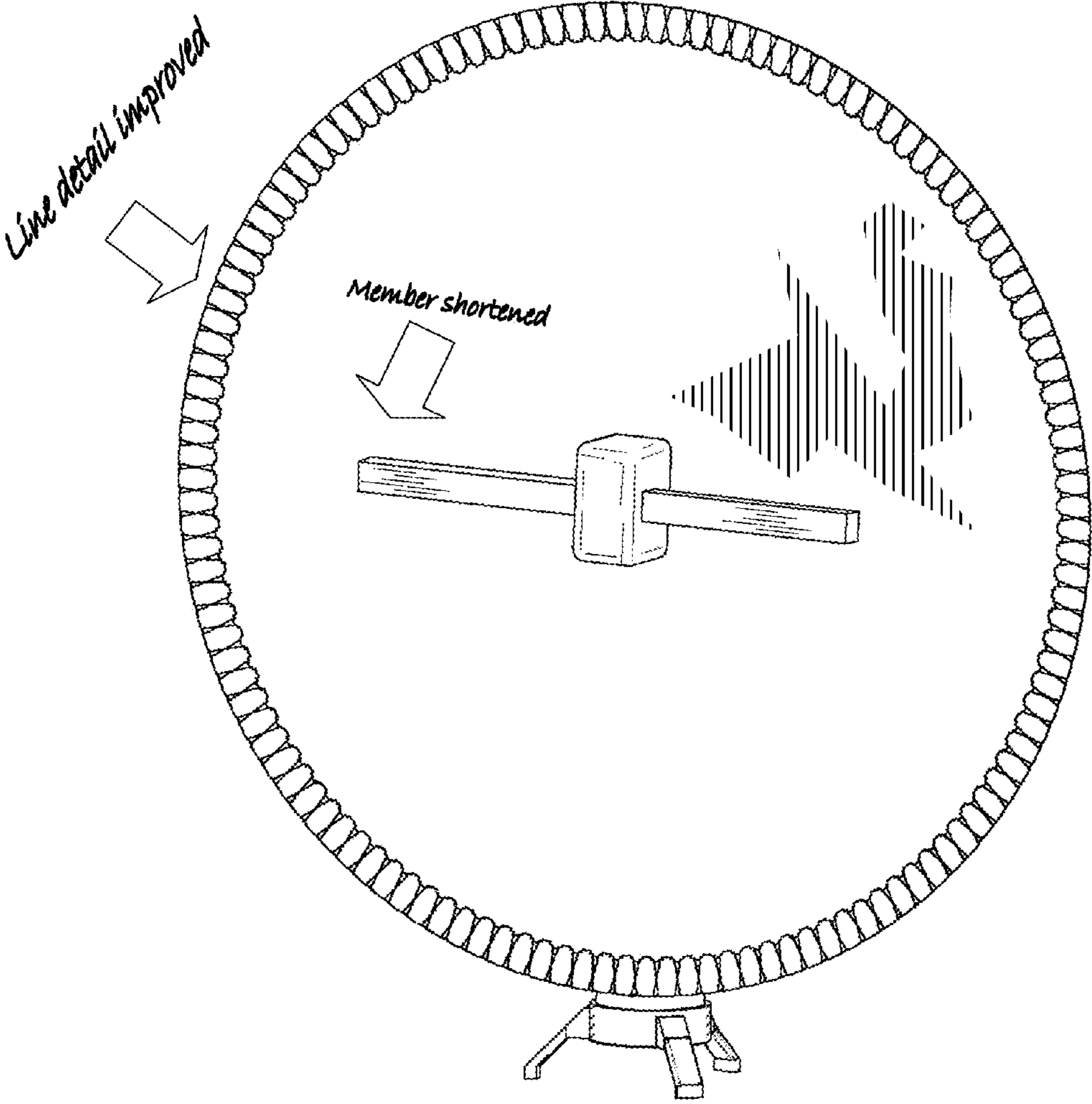


FIG 1

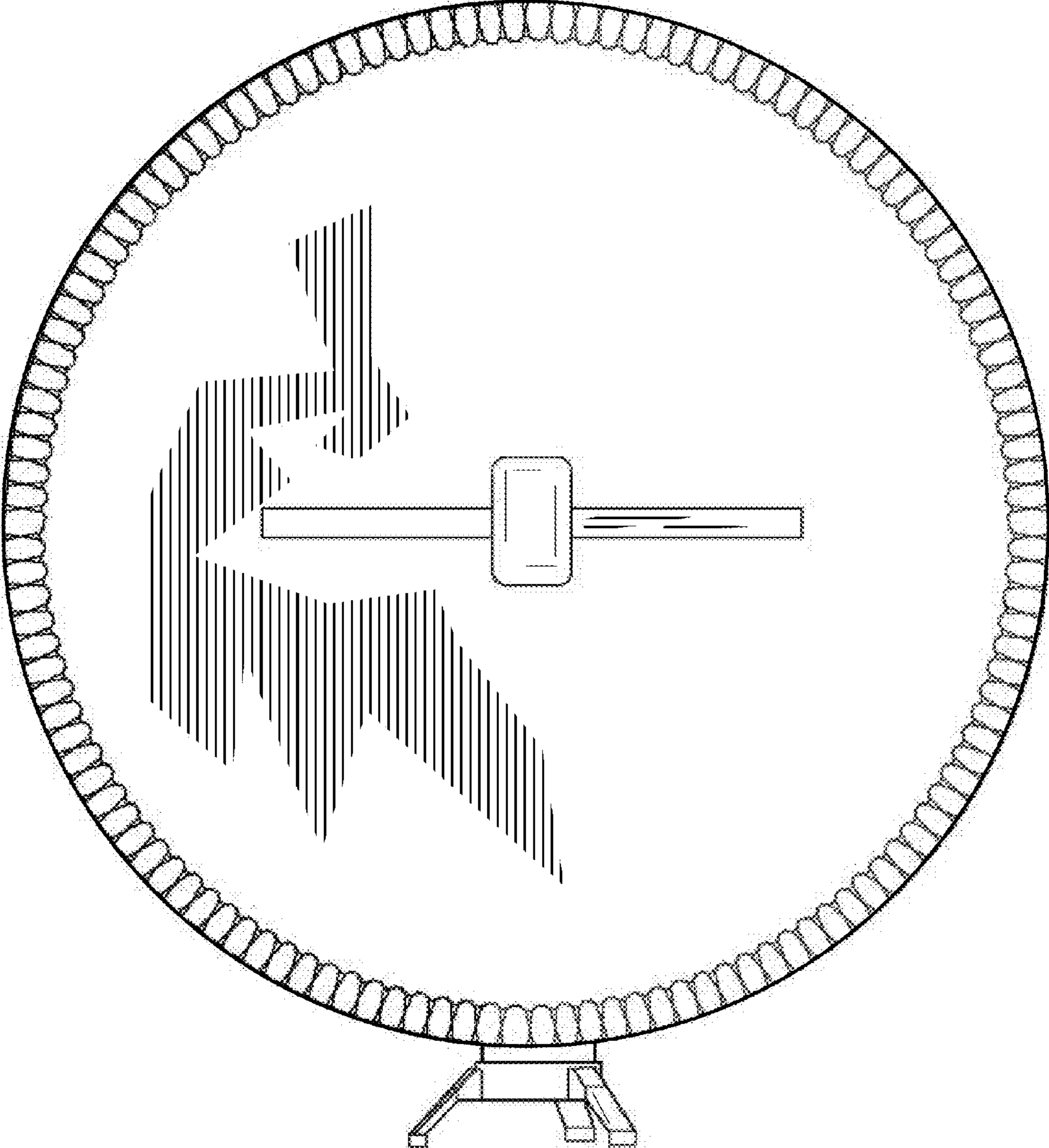


FIG. 2

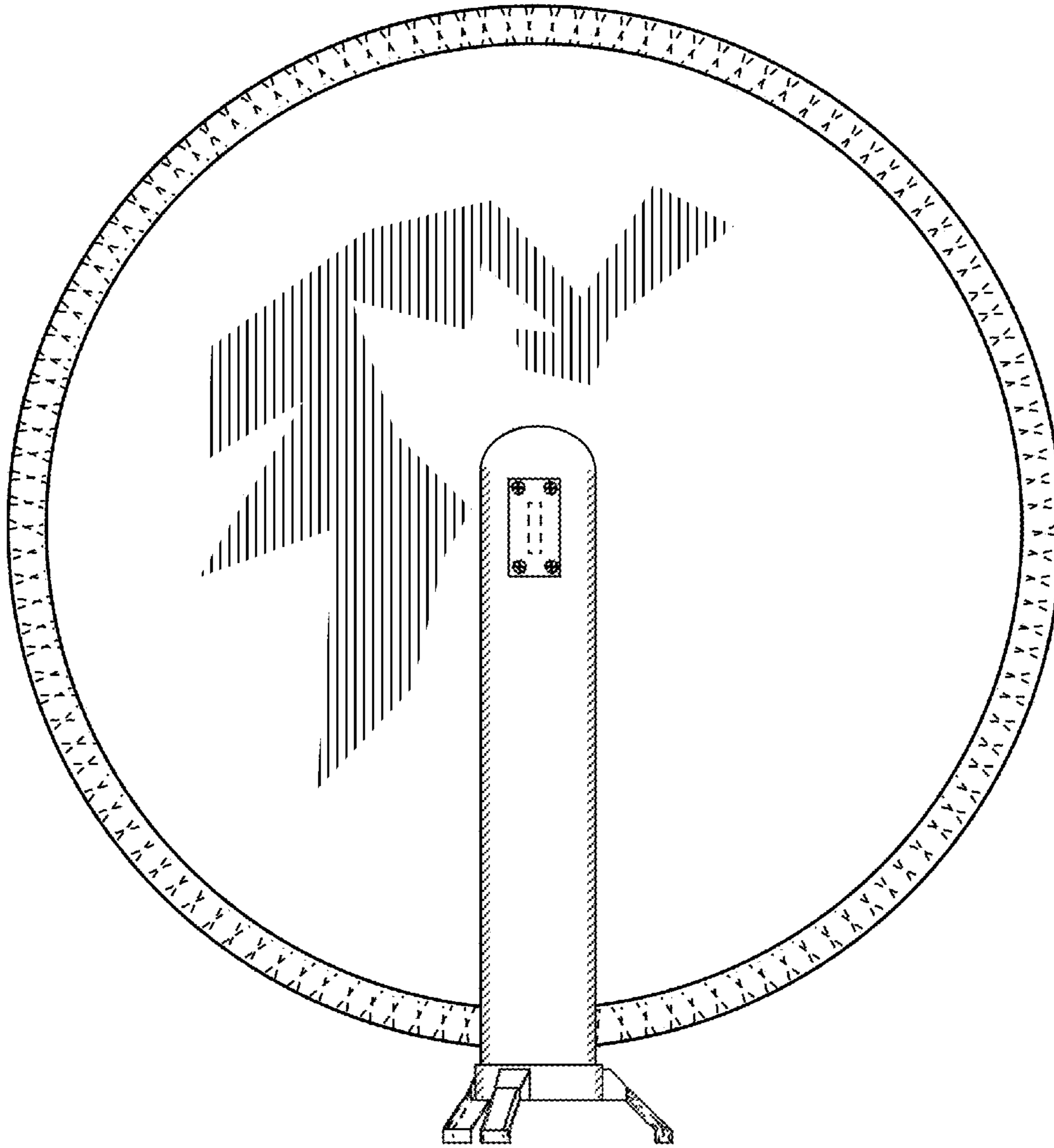


FIG 3

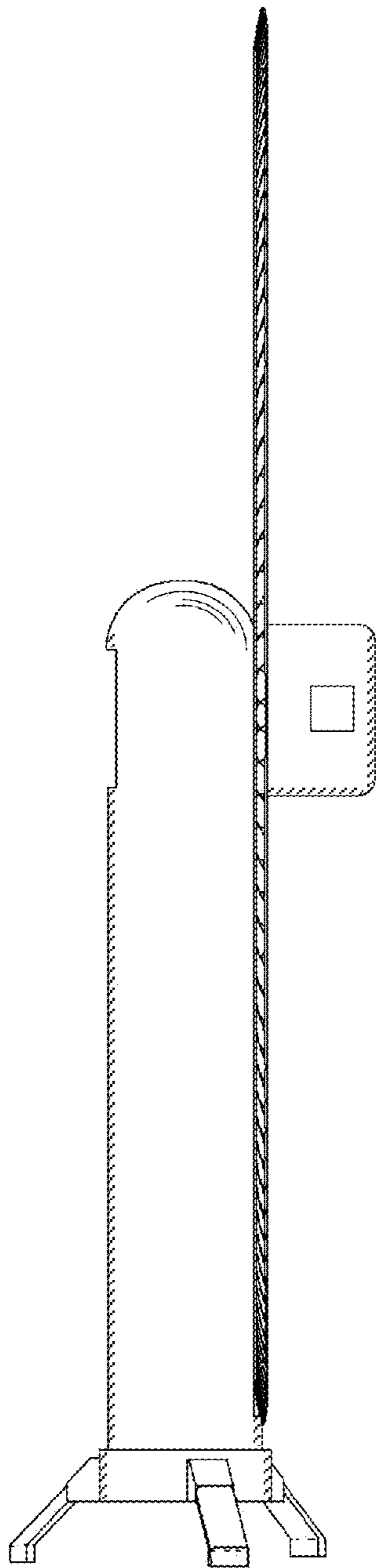


FIG. 4

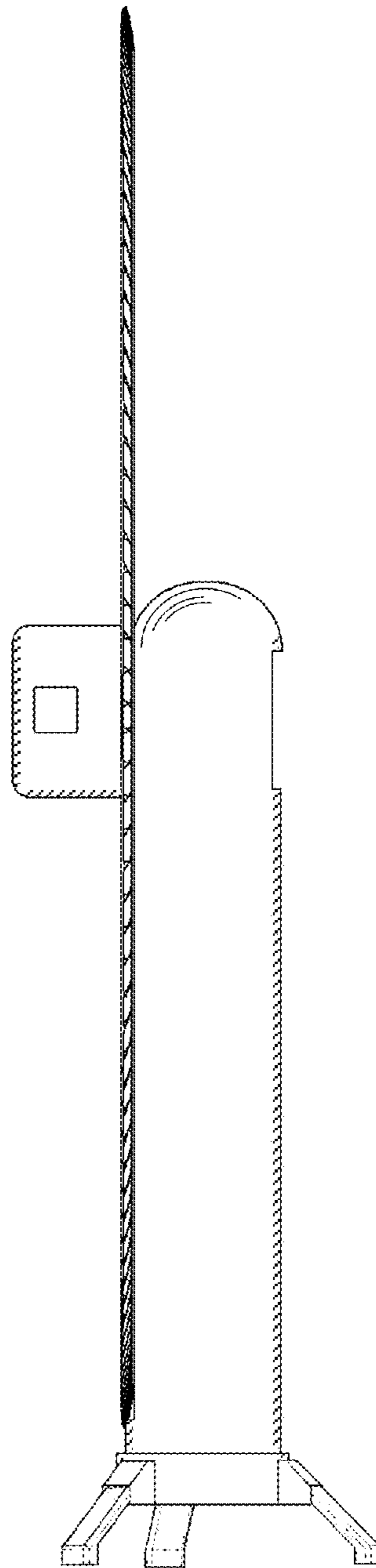


FIG. 5

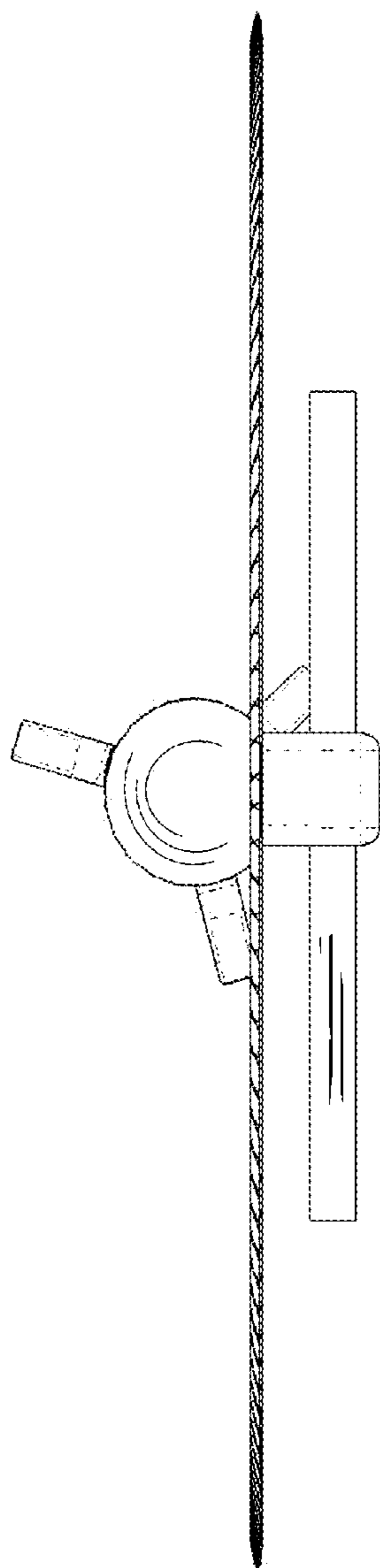


FIG. 6

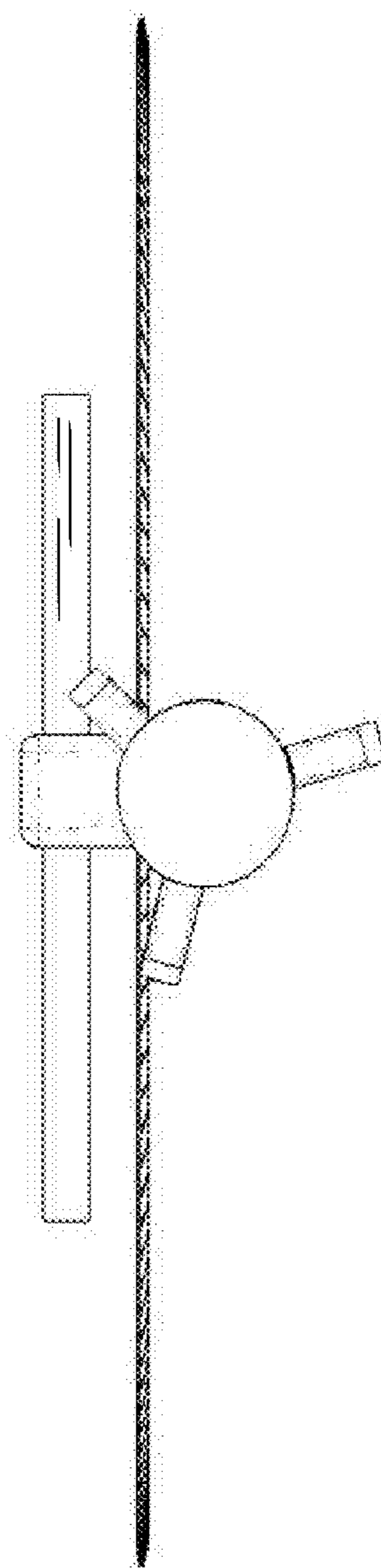


FIG. 7