



US00D687020S

(12) **United States Design Patent**  
**Trainer**

(10) **Patent No.:** **US D687,020 S**  
(45) **Date of Patent:** **\*\* Jul. 30, 2013**

- (54) **SPEAKER TRANSDUCER**
- (75) Inventor: **Mark Trainer**, Los Angeles, CA (US)
- (73) Assignee: **Strata Audio LLC**, Westlake Village, CA (US)
- (\*\*) Term: **14 Years**
- (21) Appl. No.: **29/419,780**
- (22) Filed: **May 1, 2012**
- (51) **LOC (9) Cl.** ..... **14-01**
- (52) **U.S. Cl.**  
USPC ..... **D14/222**
- (58) **Field of Classification Search**  
USPC ..... D14/204, 207, 209–216, 221, 222,  
D14/356, 224; 181/143, 145, 147, 148, 150,  
181/157, 198, 199, 151–153; 381/330–302,  
381/306, 333, 35, 361–164, 386–388, 307,  
381/182, 186  
See application file for complete search history.

|           |      |         |                 |       |           |
|-----------|------|---------|-----------------|-------|-----------|
| D496,353  | S *  | 9/2004  | Williamson      | ..... | D14/222   |
| 7,130,438 | B2 * | 10/2006 | Lin             | ..... | 381/337   |
| 7,206,422 | B2 * | 4/2007  | Akens et al.    | ..... | 381/189   |
| 7,660,602 | B2 * | 2/2010  | Berman et al.   | ..... | 455/556.1 |
| 8,175,304 | B1 * | 5/2012  | North           | ..... | 381/308   |
| 8,311,861 | B1 * | 11/2012 | Erickson et al. | ..... | 705/7.11  |
| 8,385,580 | B2 * | 2/2013  | Adamson         | ..... | 381/401   |

\* cited by examiner

*Primary Examiner* — Prabhakar Deshmukh

(57) **CLAIM**  
The ornamental design for a speaker transducer, as shown and described.

**DESCRIPTION**

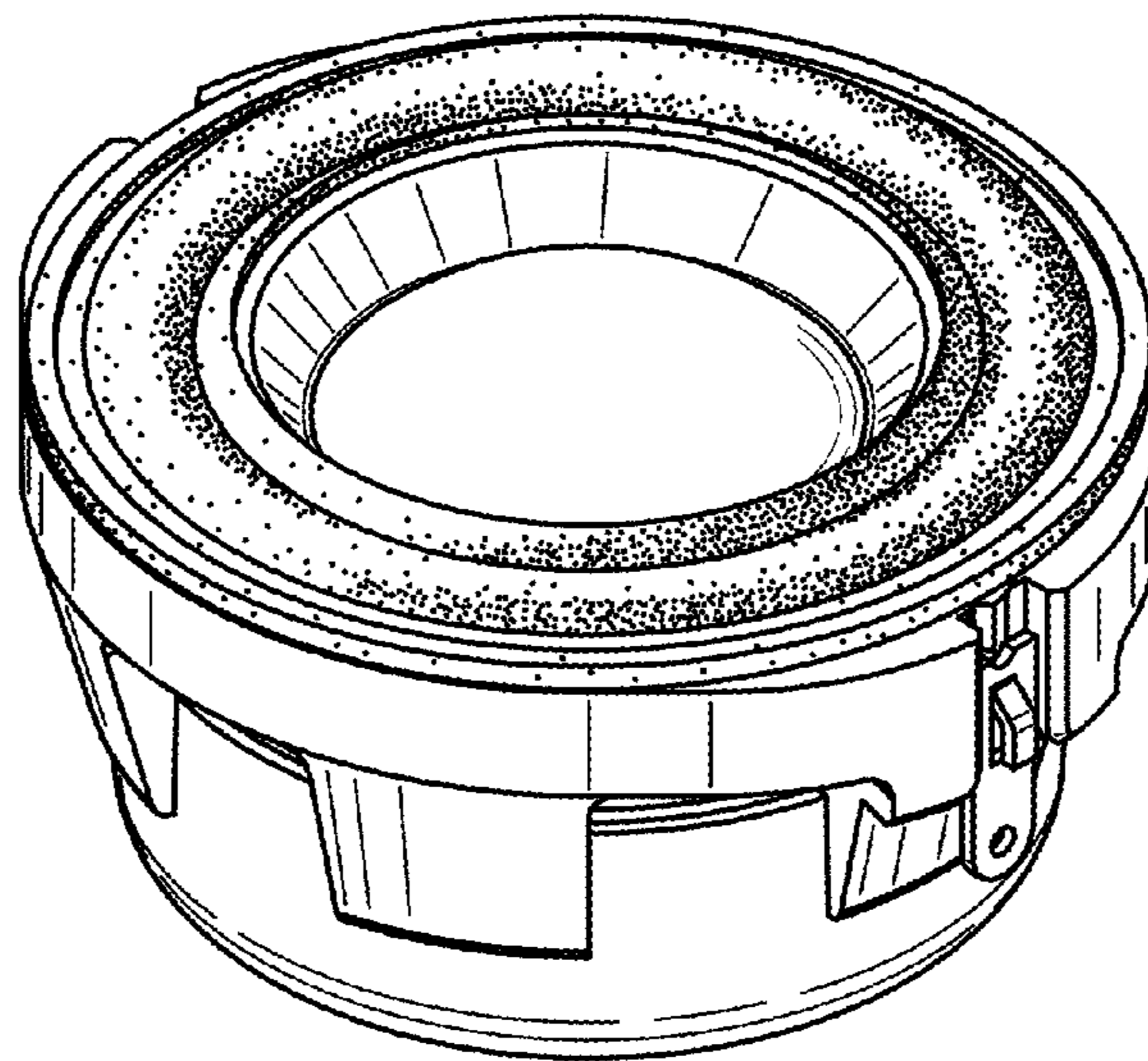
FIG. 1 is a perspective view of a speaker transducer portion in accordance with an embodiment of my new design;  
 FIG. 2 is a top plan view thereof;  
 FIG. 3 is a front elevation view of one side thereof, the opposite side elevational view being a mirror image;  
 FIG. 4 is a side elevational view of one side thereof, the opposite side elevational view being a mirror image;  
 FIG. 5 is a bottom perspective view thereof;  
 FIG. 6 is a bottom plan view thereof;  
 FIG. 7 is a cross-sectional view thereof, taken along 7-7 in FIG. 2; and,  
 FIG. 8 is an enlarged cross-sectional view of a portion thereof, taken along 8 in FIG. 7.

**1 Claim, 4 Drawing Sheets**

(56) **References Cited**

U.S. PATENT DOCUMENTS

|           |      |         |            |       |         |
|-----------|------|---------|------------|-------|---------|
| D393,641  | S *  | 4/1998  | Hai-Fu     | ..... | D14/216 |
| 5,889,876 | A *  | 3/1999  | Billings   | ..... | 381/342 |
| 6,308,960 | B1 * | 10/2001 | Peale      | ..... | 277/631 |
| D483,743  | S *  | 12/2003 | Vosse      | ..... | D14/224 |
| D483,744  | S *  | 12/2003 | Vosse      | ..... | D14/224 |
| D494,959  | S *  | 8/2004  | Williamson | ..... | D14/222 |



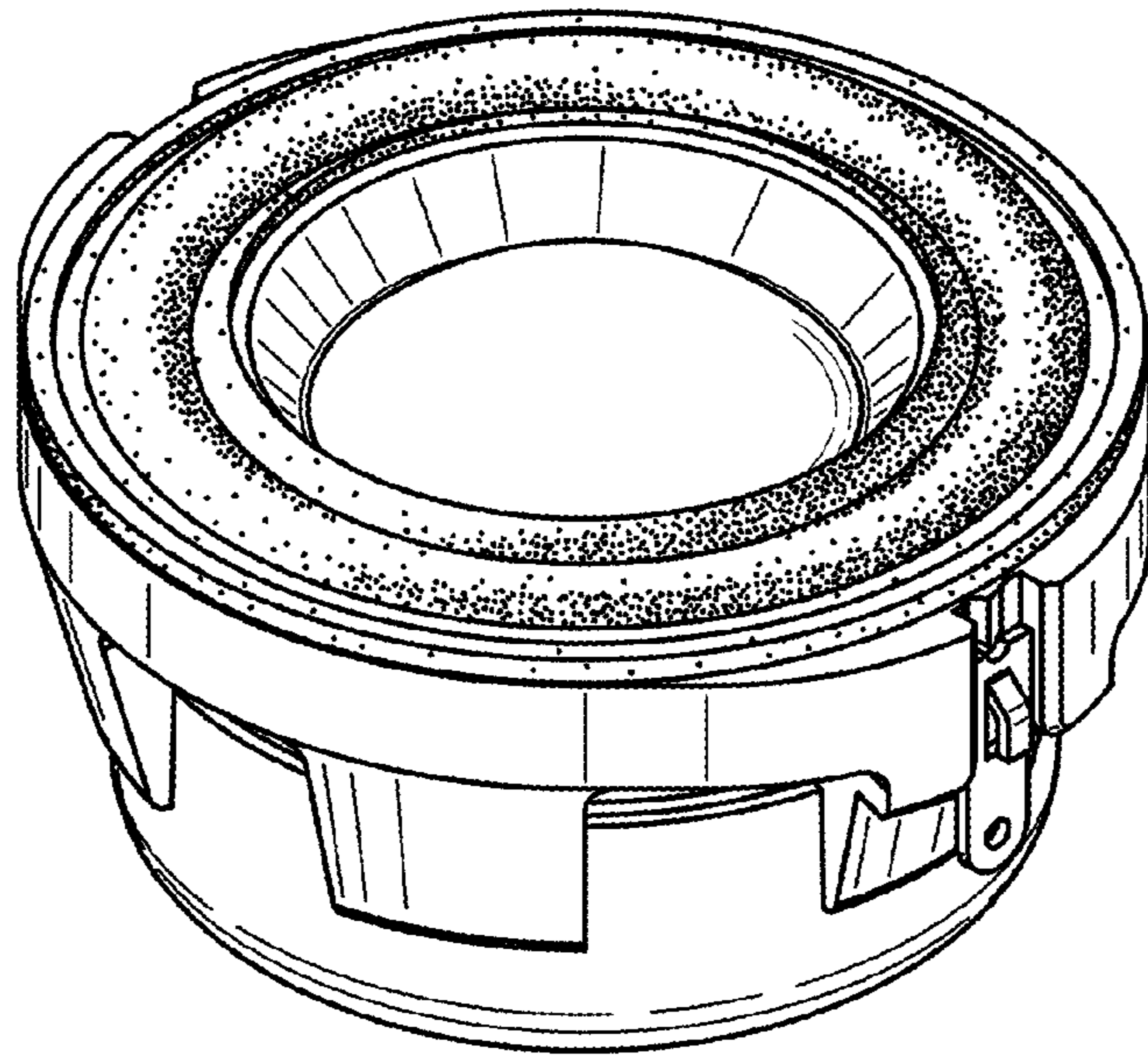


FIG. 1

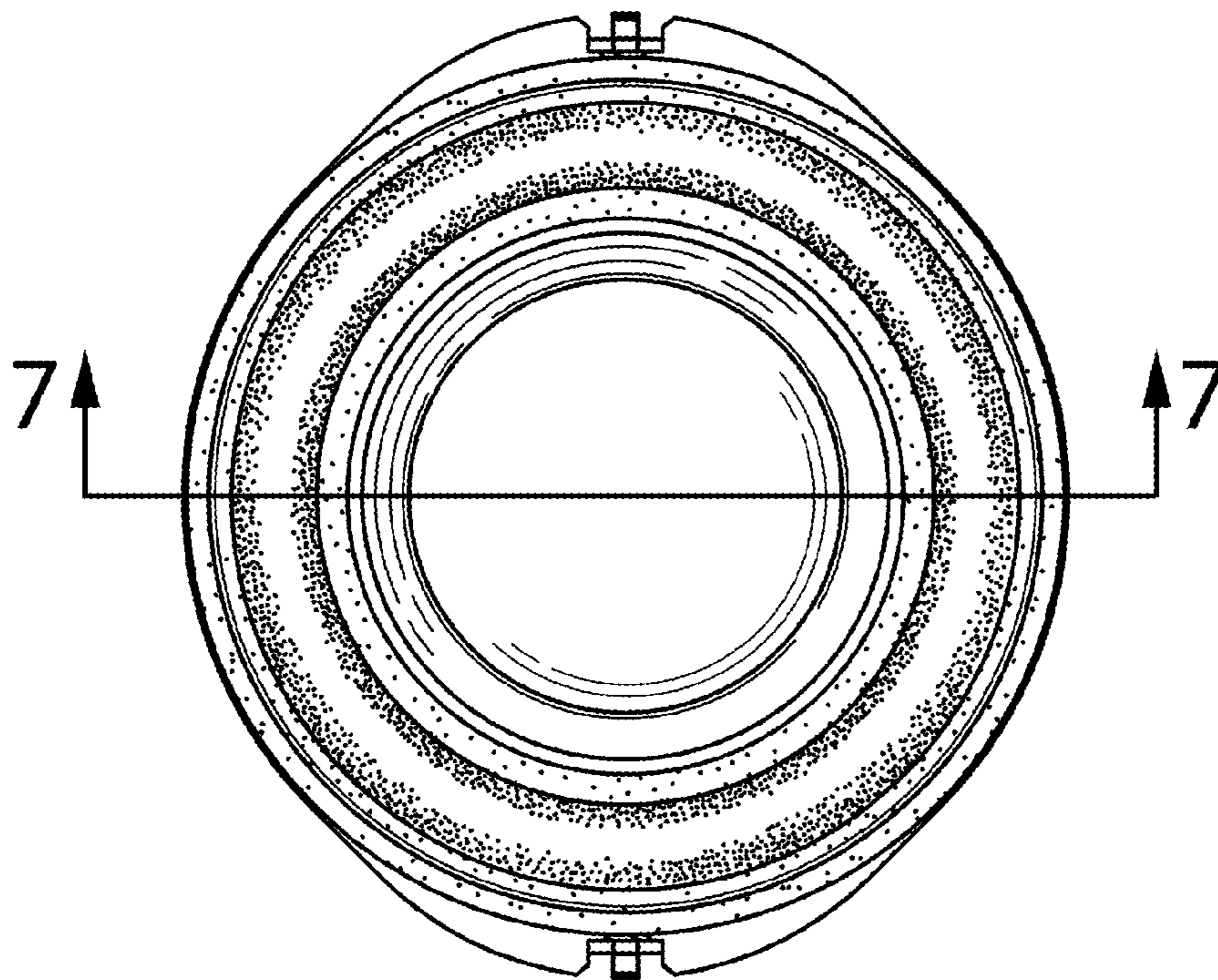


FIG. 2

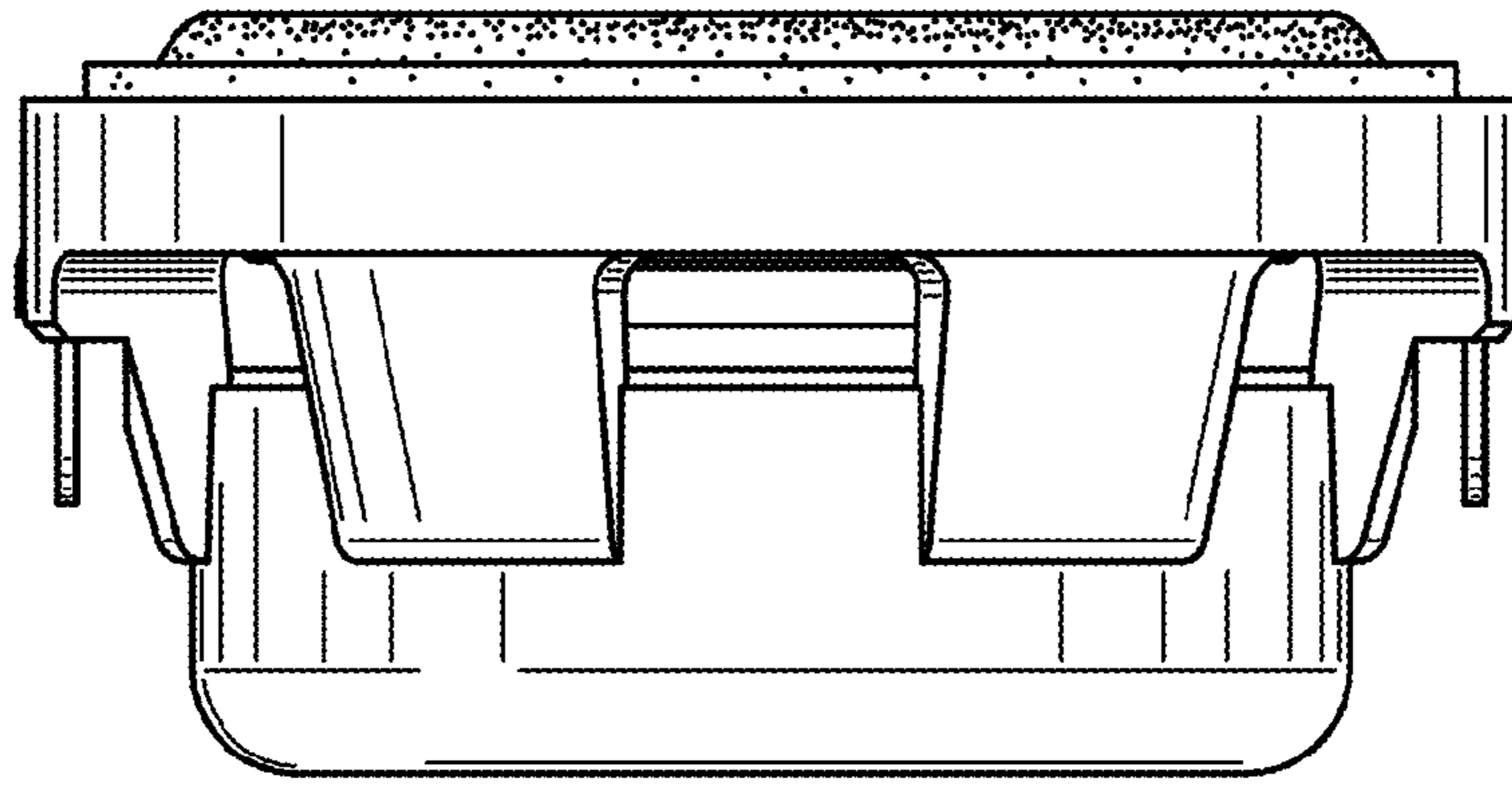


FIG. 3

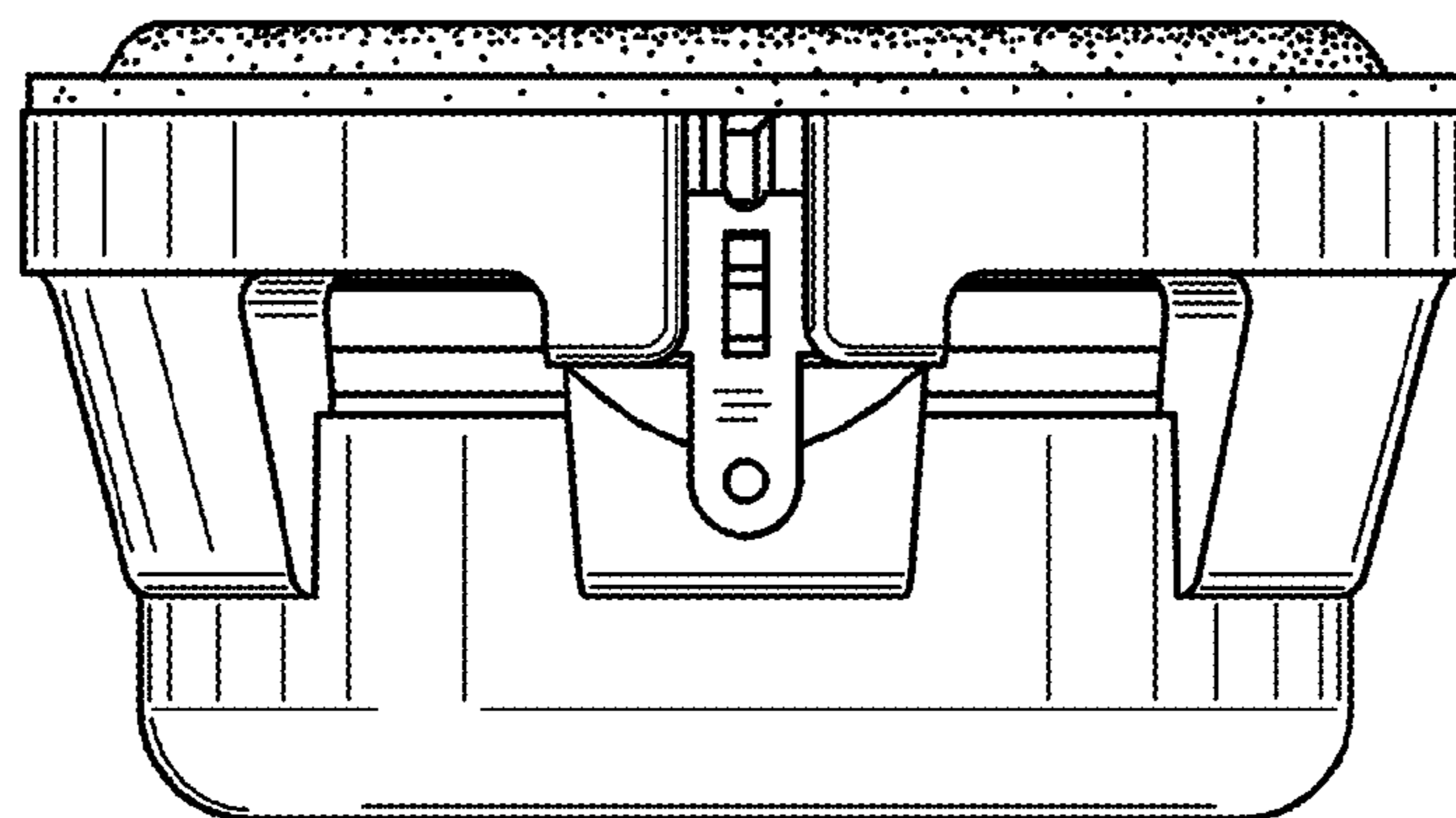


FIG. 4

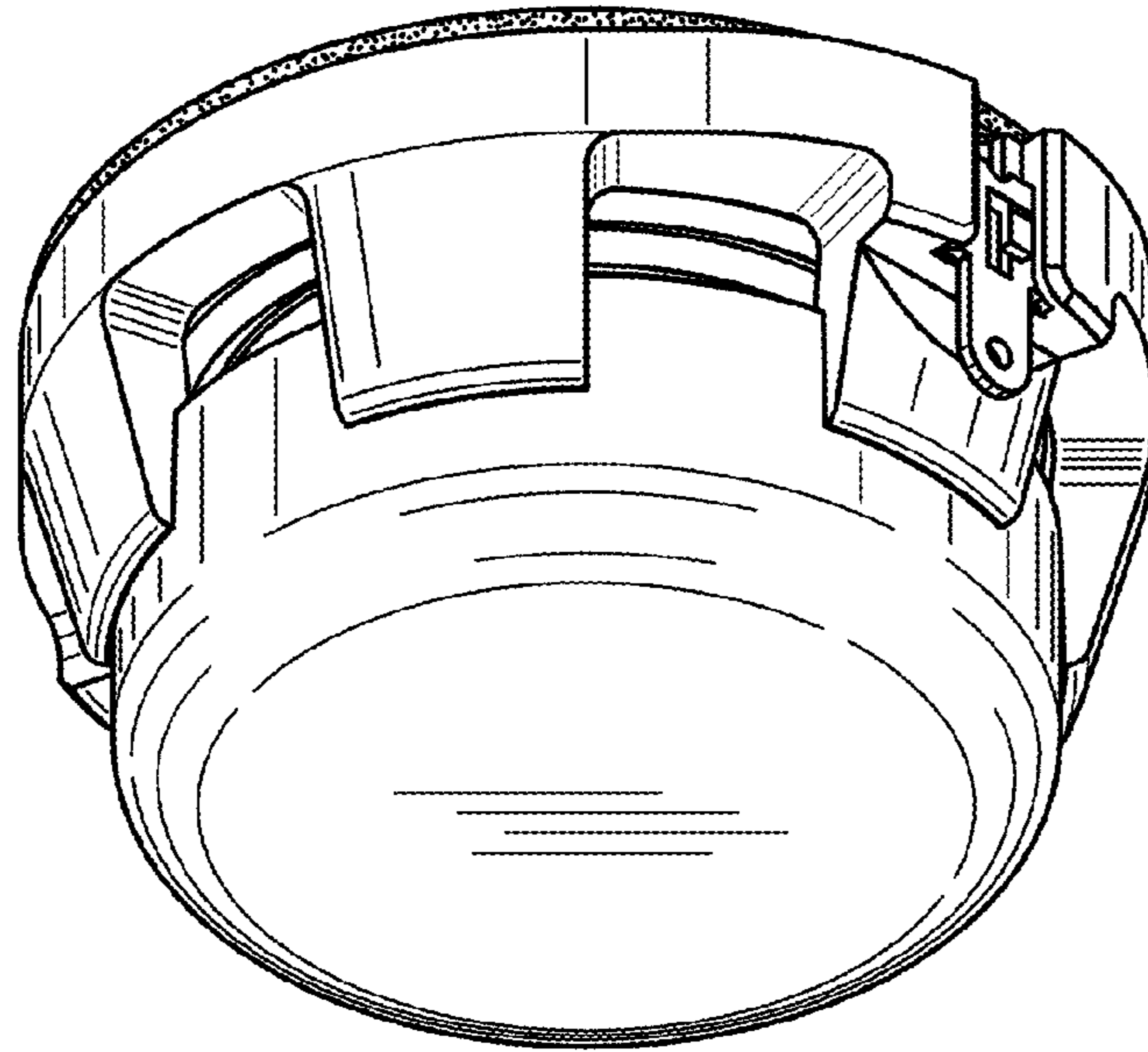


FIG. 5

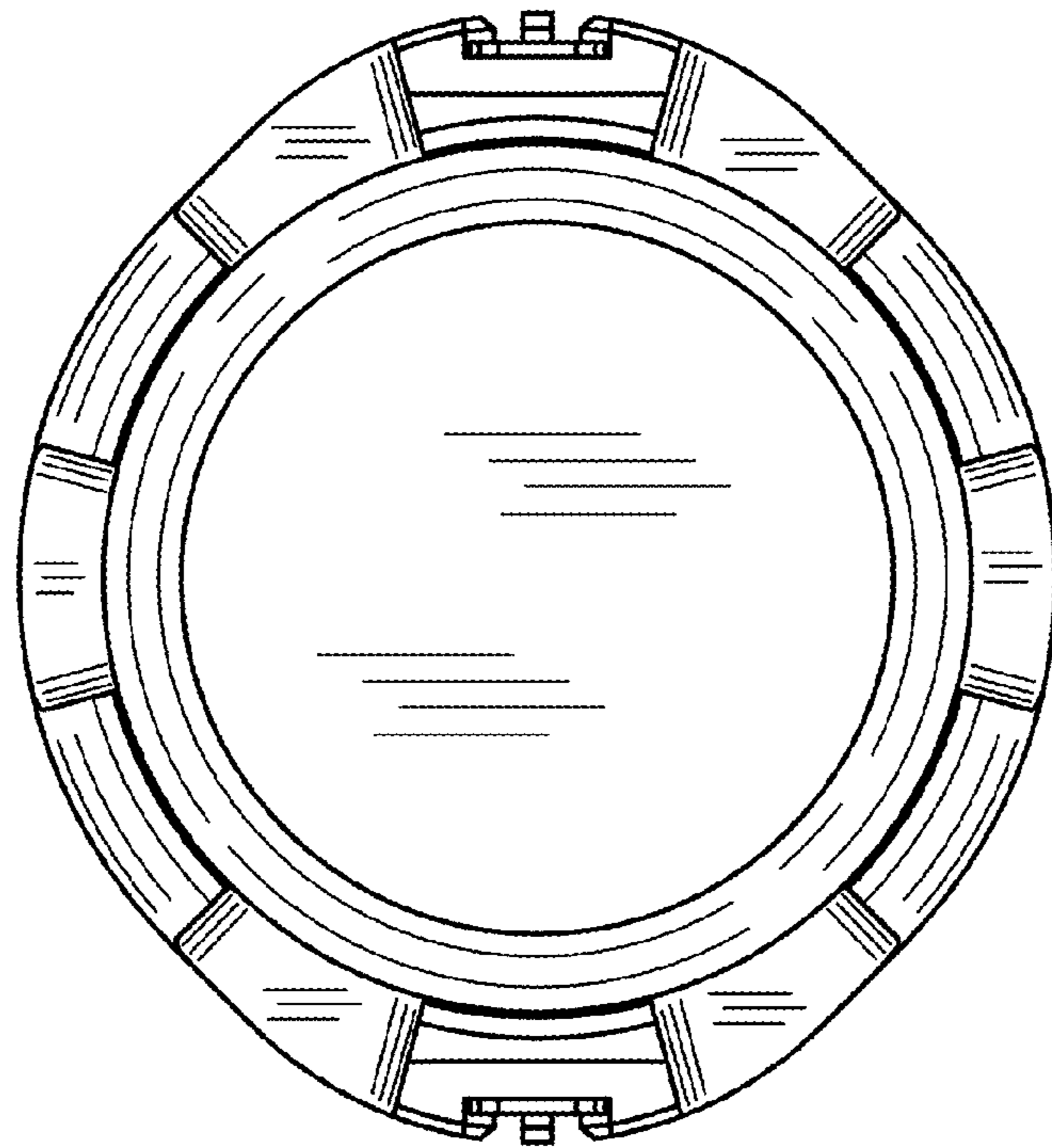


FIG. 6

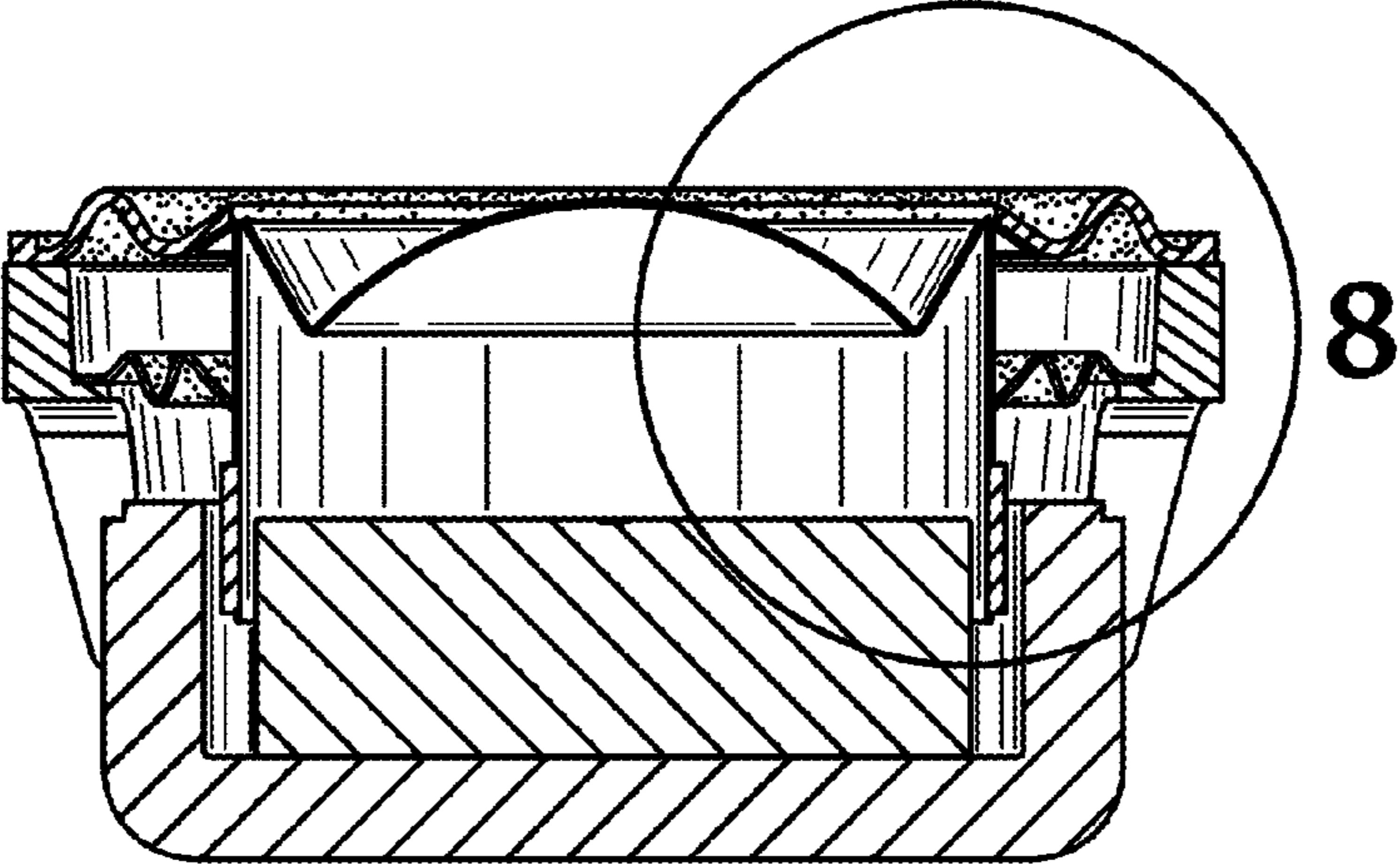


FIG. 7

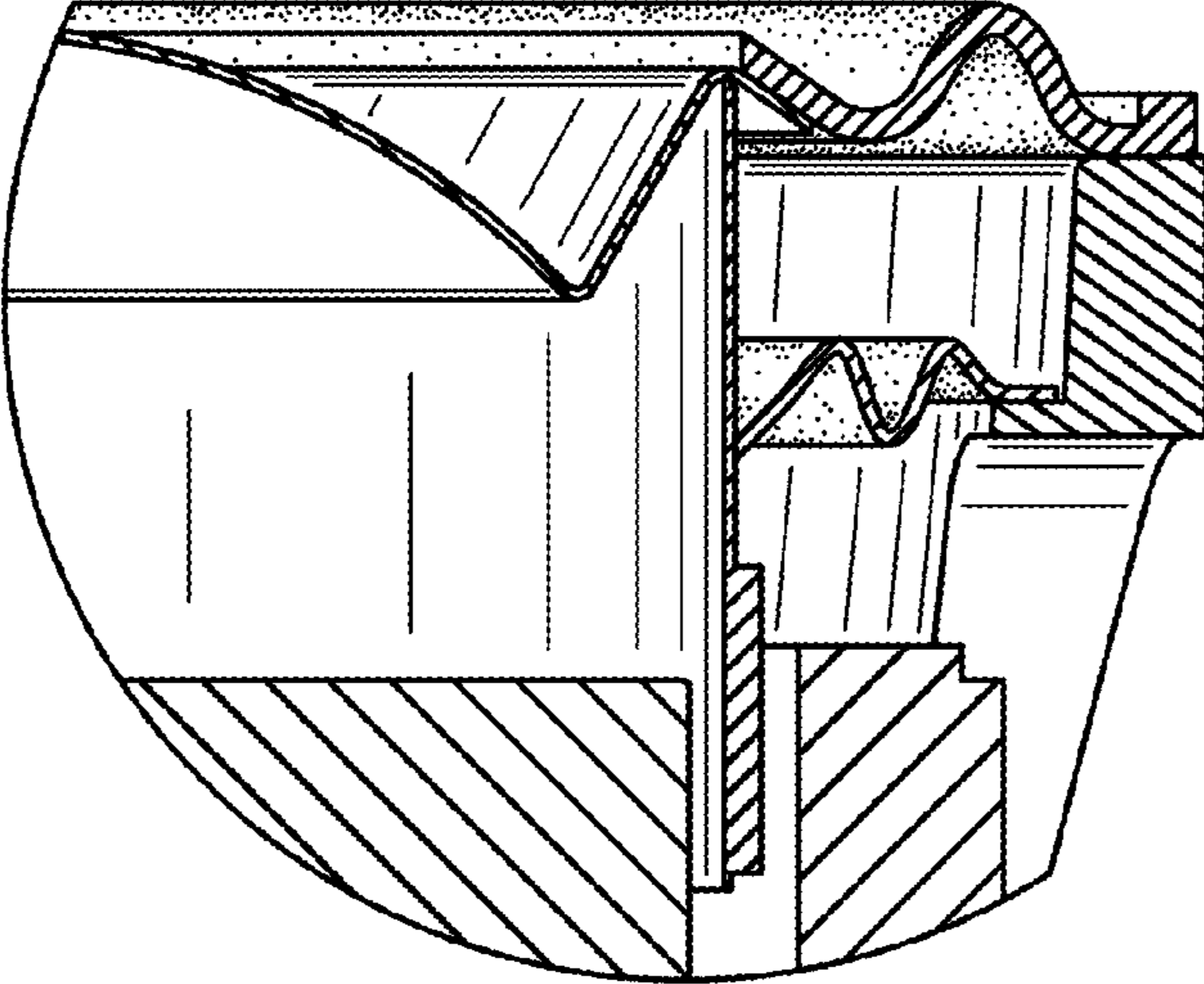


FIG. 8