



US00D687016S

(12) **United States Design Patent**  
**Brunner et al.**

(10) **Patent No.:** **US D687,016 S**  
(45) **Date of Patent:** **\*\* Jul. 30, 2013**

(54) **AUDIO SPEAKER SYSTEM**  
(75) Inventors: **Robert Brunner**, San Francisco, CA  
(US); **Eric Fields**, San Francisco, CA  
(US); **Xuan Shu**, San Francisco, CA  
(US)  
(73) Assignee: **Beats Electronics, LLC**, Santa Monica,  
CA (US)  
(\*\*) Term: **14 Years**

7,689,197 B2 3/2010 Laude et al.  
D616,420 S \* 5/2010 Morimoto ..... D14/216  
D620,921 S \* 8/2010 Skurdal ..... D14/209.1  
D620,923 S 8/2010 Orfali  
D621,383 S \* 8/2010 Hou ..... D14/214  
D625,288 S 10/2010 Ueda  
D636,378 S 4/2011 Ohashi et al.  
D636,758 S \* 4/2011 Tzeng ..... D14/214  
D636,759 S \* 4/2011 Chen ..... D14/214  
D642,156 S 7/2011 Joseph  
D642,159 S \* 7/2011 Joseph ..... D14/215  
D659,119 S 5/2012 Brunner et al.  
8,180,095 B2 5/2012 Zhang

(21) Appl. No.: **29/410,580**  
(22) Filed: **Jan. 9, 2012**  
(51) **LOC (9) Cl.** ..... **14-03**  
(52) **U.S. Cl.**  
USPC ..... **D14/216**  
(58) **Field of Classification Search**  
USPC ..... D14/172, 204, 207, 210-216; 181/143,  
181/144, 147, 148, 150, 153, 157, 198, 199;  
381/300-303, 306, 332, 333, 336, 345,  
361-364, 386-388  
See application file for complete search history.

**OTHER PUBLICATIONS**

U.S. Appl. No. 29/400,963, filed Sep. 2, 2011 (which is not being furnished herewith, pursuant to the Commissioner's Notice dated Sep. 21, 2004).  
U.S. Appl. No. 29/441,336, filed Jan. 3, 2013 (which is not being furnished herewith, pursuant to the Commissioner's Notice dated Sep. 21, 2004).

\* cited by examiner

*Primary Examiner* — Keli L Hill  
(74) *Attorney, Agent, or Firm* — Michael G. Kelber; Neal, Gerber & Eisenberg LLP

(56) **References Cited**

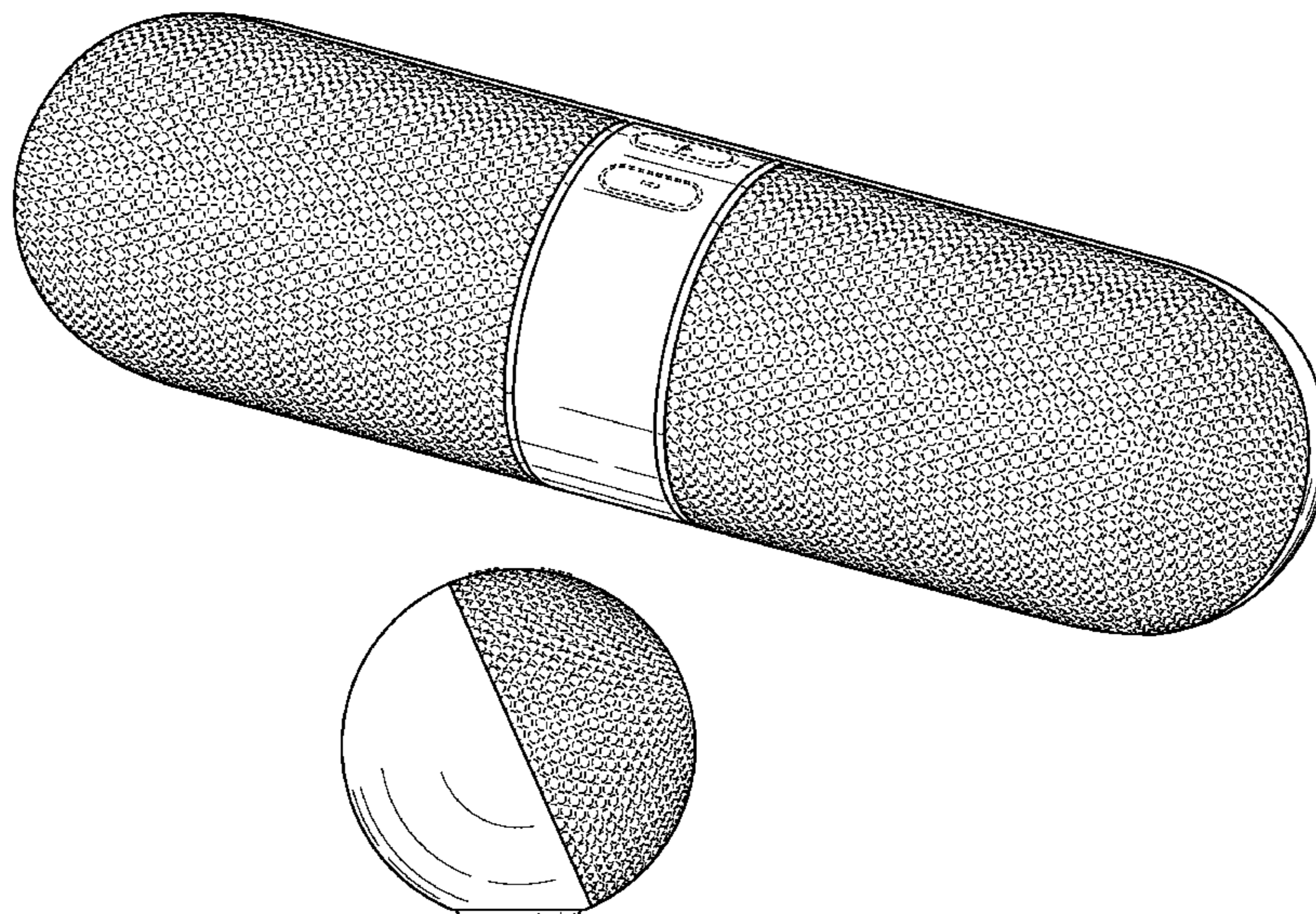
**U.S. PATENT DOCUMENTS**

4,388,492 A 6/1983 Sato  
5,546,468 A 8/1996 Beard  
7,095,867 B2 8/2006 Schul et al.  
D553,121 S \* 10/2007 Gondo et al. .... D14/216  
D555,636 S \* 11/2007 Chen et al. .... D14/216  
D556,732 S 12/2007 Chan  
D566,730 S \* 4/2008 Lee ..... D14/496  
D572,702 S 7/2008 Bart  
D573,579 S \* 7/2008 Yamaguchi ..... D14/500  
D583,360 S 12/2008 Gredler  
D587,675 S 3/2009 Xie  
D599,782 S 9/2009 Tse  
D600,251 S 9/2009 Poandl  
D607,536 S \* 1/2010 Filo ..... D23/205  
D611,450 S \* 3/2010 Miyazaki ..... D14/209.1

**DESCRIPTION**

FIG. 1 is a perspective view of an audio speaker system, embodying our new design;  
FIG. 2 is a front elevation view thereof;  
FIG. 3 is a left side elevation view thereof;  
FIG. 4 is a right side elevation view thereof;  
FIG. 5 is a rear elevation view thereof;  
FIG. 6 is a top plan view thereof; and,  
FIG. 7 is a bottom plan view thereof.  
The broken lines shown are included for the purpose of illustrating the unclaimed portions of the audio speaker system and form no part of the claim.

**1 Claim, 6 Drawing Sheets**



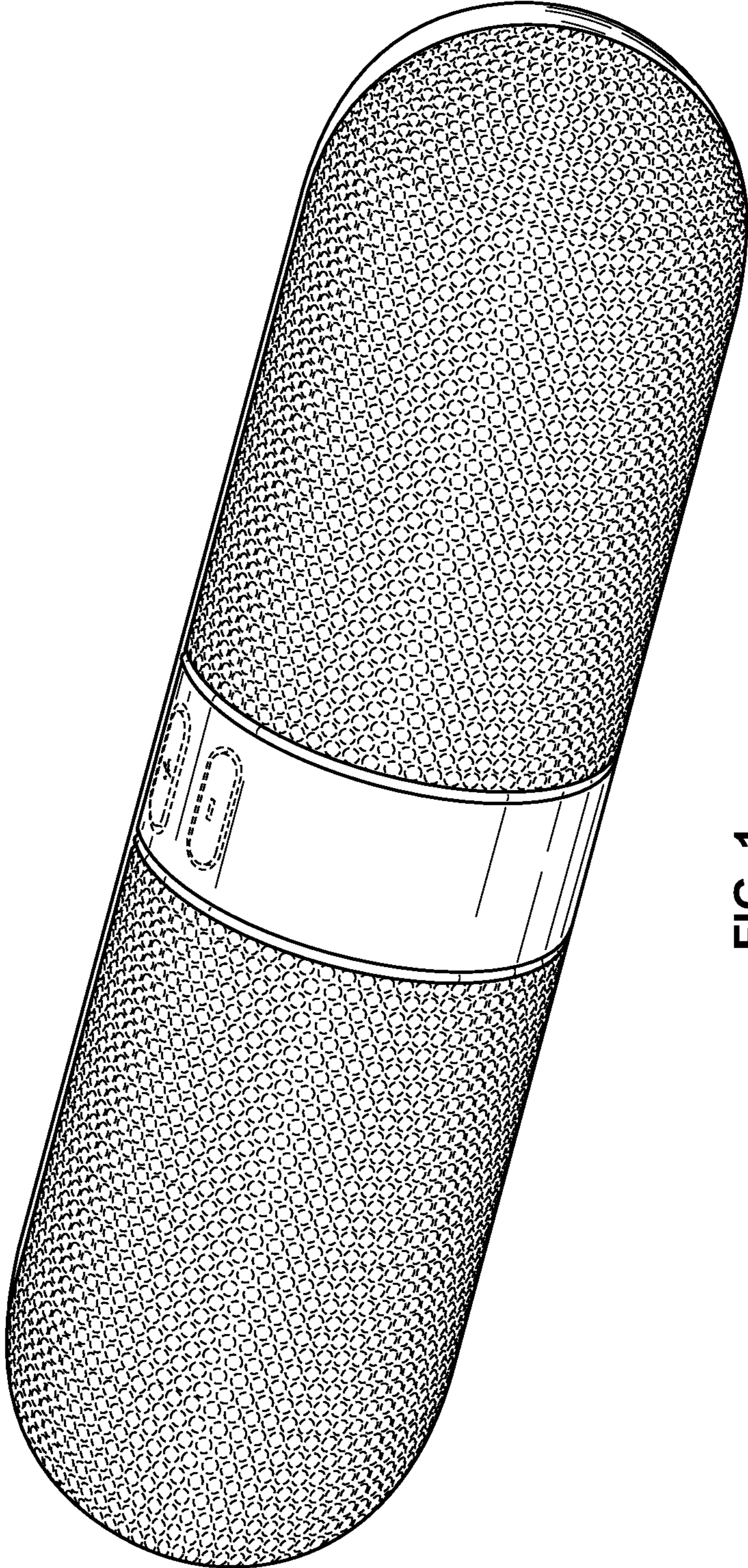


FIG. 1

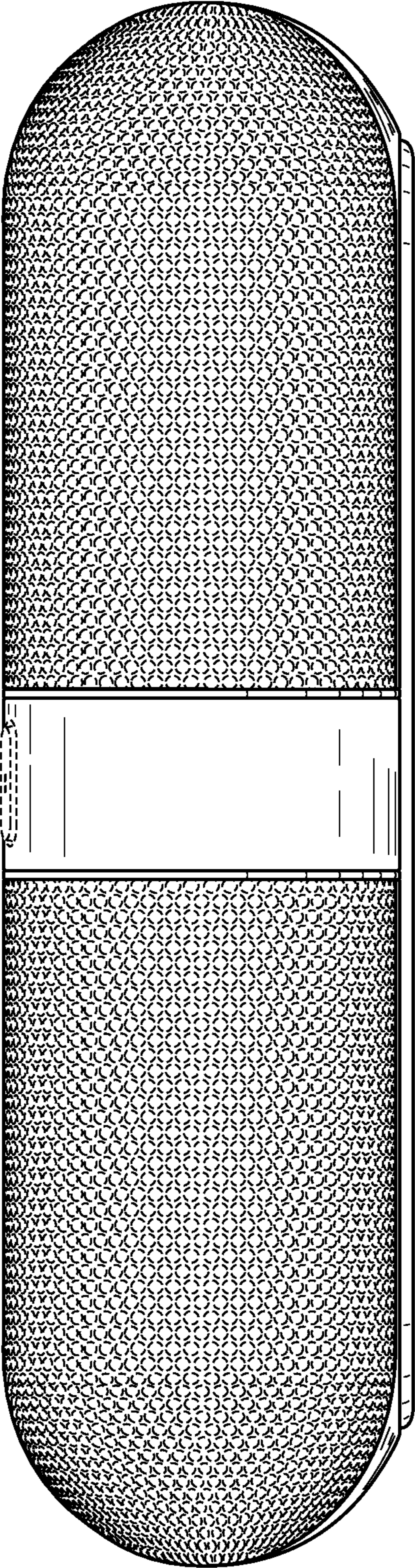


FIG. 2

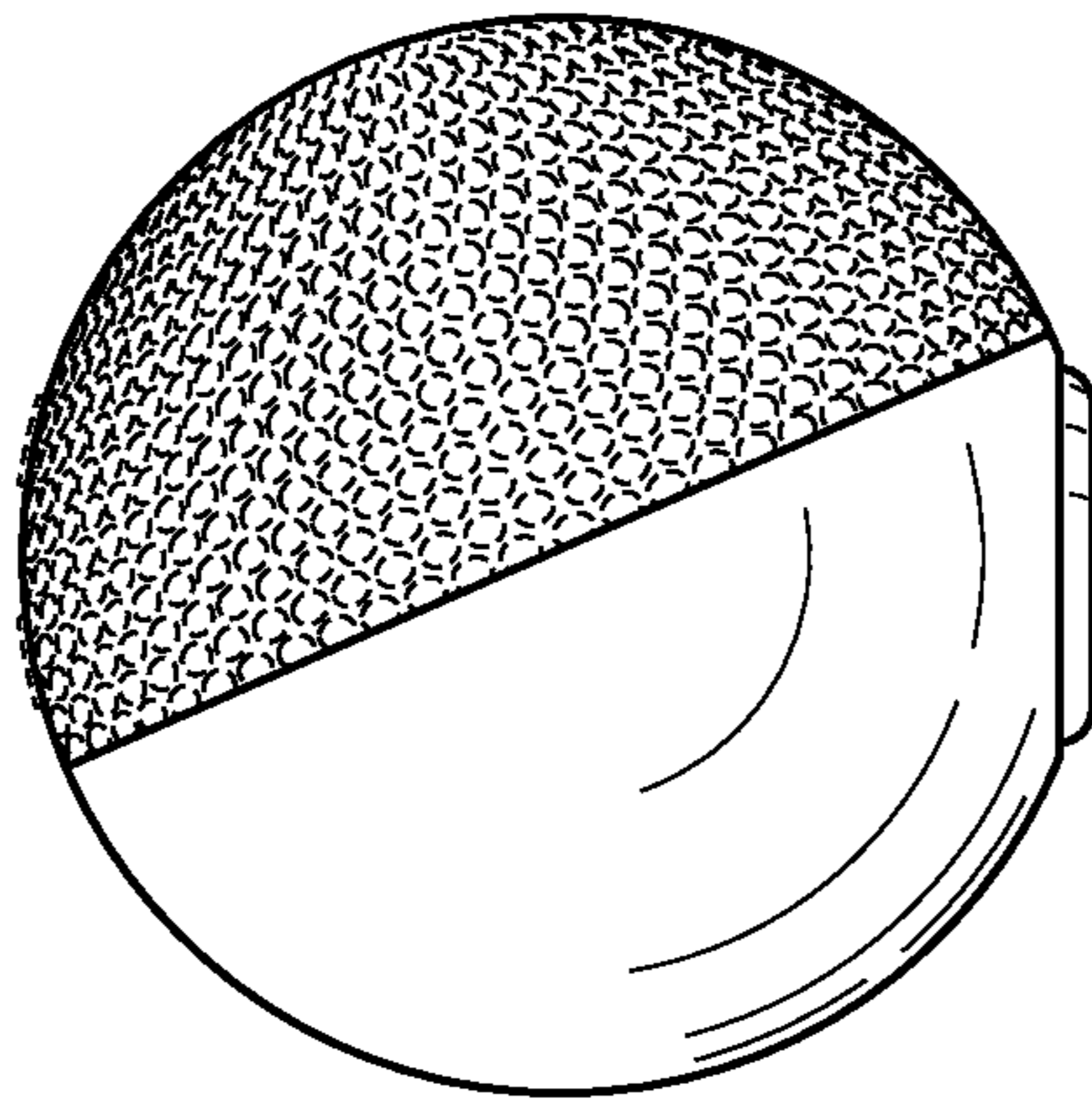


FIG. 4

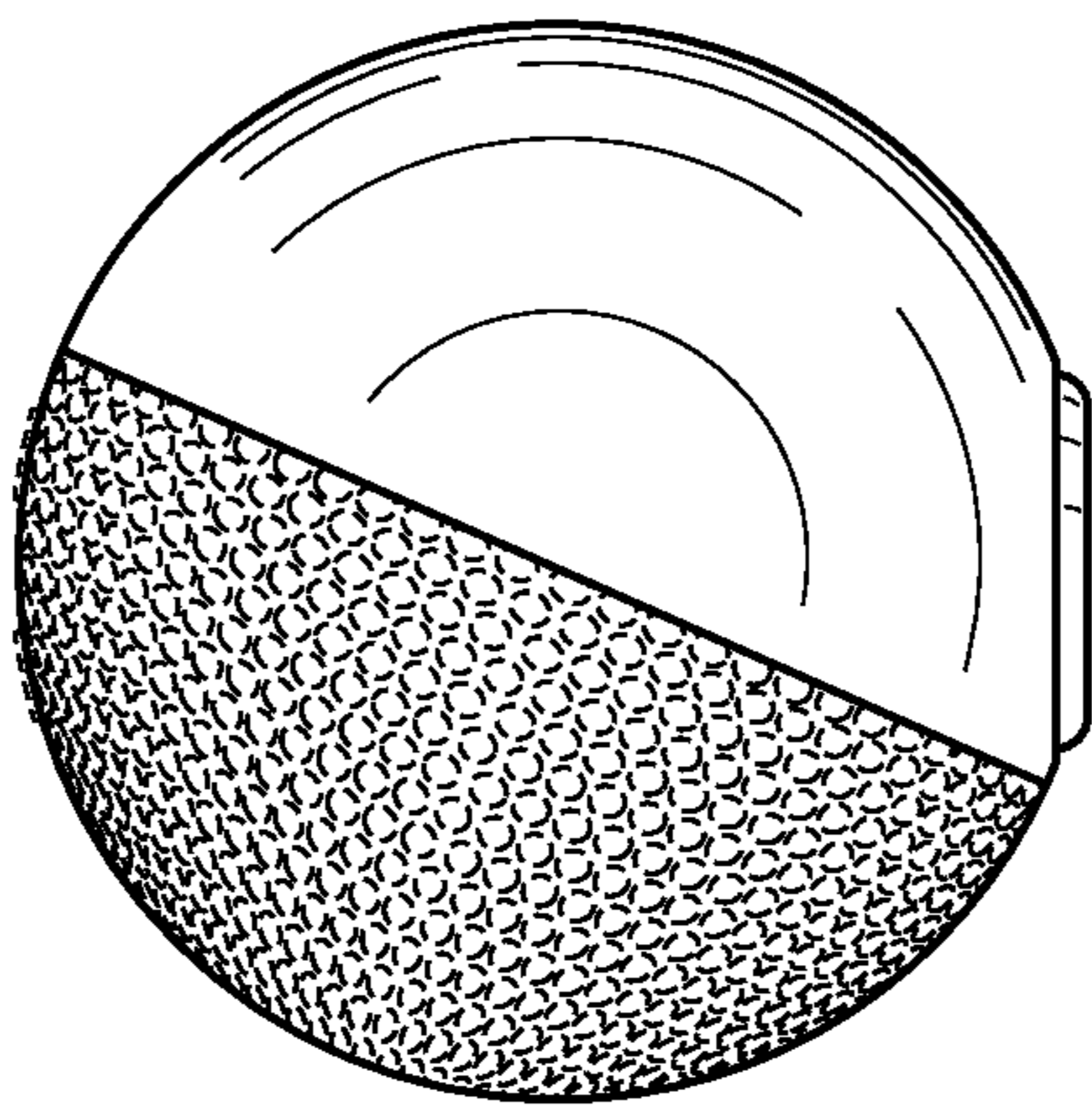


FIG. 3

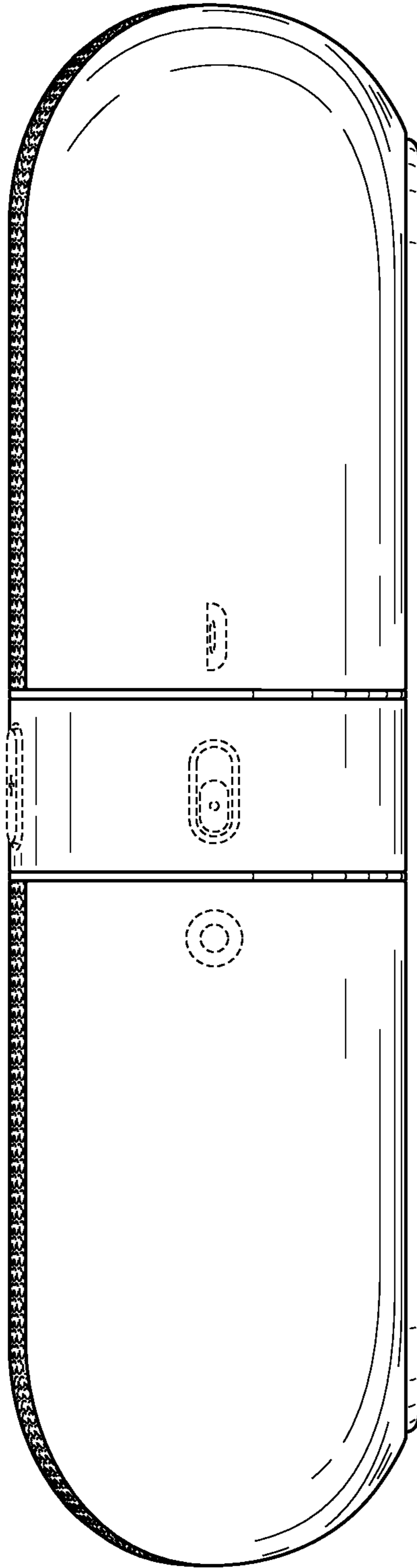


FIG. 5

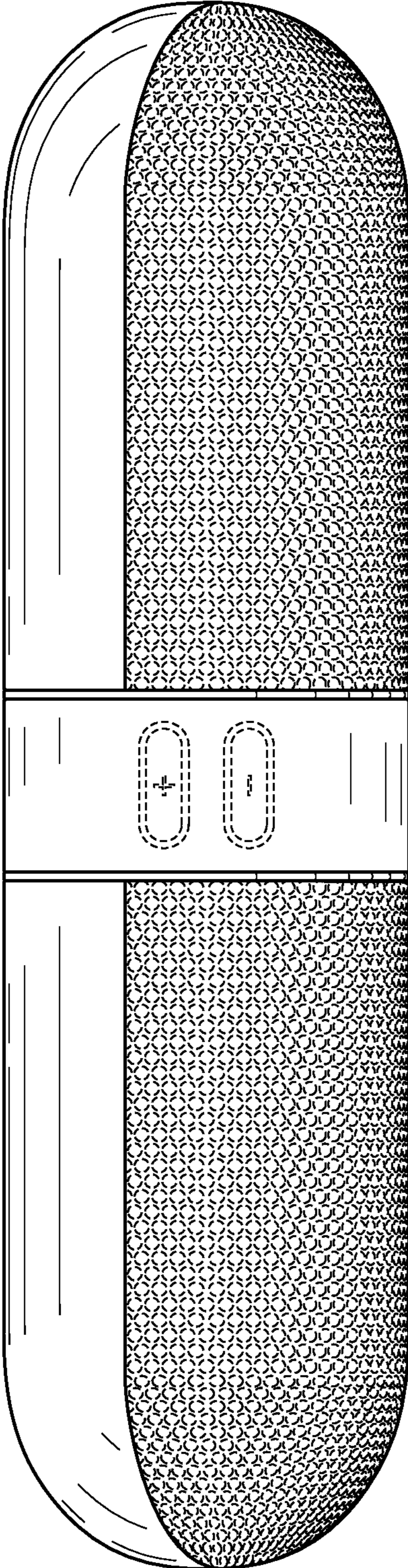


FIG. 6

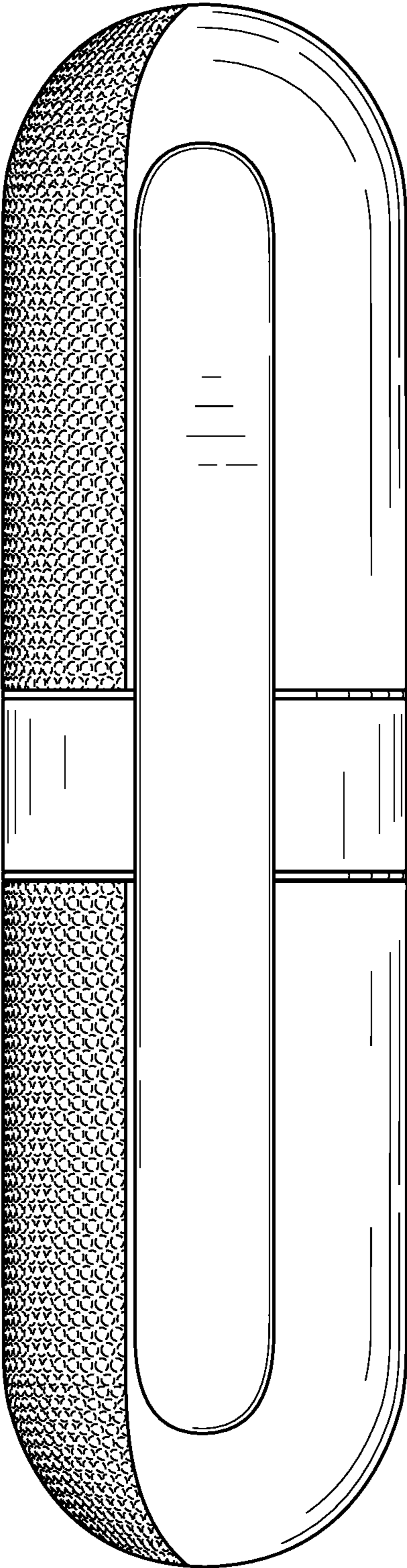


FIG. 7