



US00D687015S

(12) **United States Design Patent**
Paddock

(10) **Patent No.:** **US D687,015 S**
(45) **Date of Patent:** **** Jul. 30, 2013**

- (54) **SPEAKER**
- (75) Inventor: **Thomas L. Paddock**, Truckee, CA (US)
- (73) Assignee: **Sound Research Corporation**, Truckee, CA (US)
- (**) Term: **14 Years**
- (21) Appl. No.: **29/425,729**
- (22) Filed: **Jun. 26, 2012**
- (51) **LOC (9) Cl.** **14-03**
- (52) **U.S. Cl.**
USPC **D14/215**
- (58) **Field of Classification Search**
USPC D14/167, 172, 194-196, 204, 207,
D14/209.1, 210-216, 221, 222; 181/143,
181/144, 147, 148, 150, 153, 157, 198, 199;
381/300-303, 306, 332, 333, 336, 345,
361-364, 386-388
See application file for complete search history.

- D655,275 S * 3/2012 Won et al. D14/214
- D664,119 S * 7/2012 Won et al. D14/215
- D664,122 S * 7/2012 Cho et al. D14/215
- D671,527 S * 11/2012 Lee et al. D14/215
- D675,598 S * 2/2013 Paddock D14/215

* cited by examiner

Primary Examiner — Keli L Hill
(74) *Attorney, Agent, or Firm* — Edward B. Weller

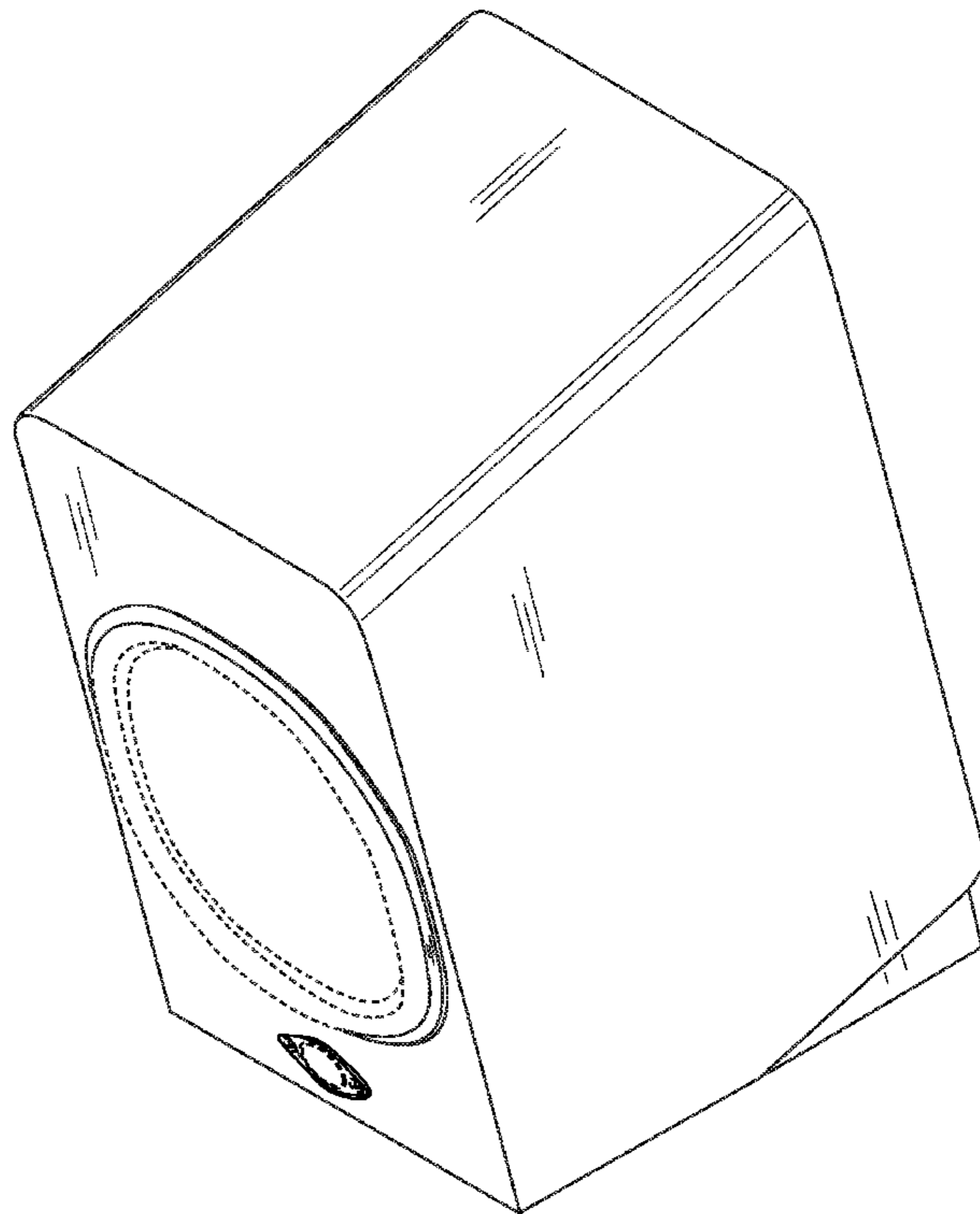
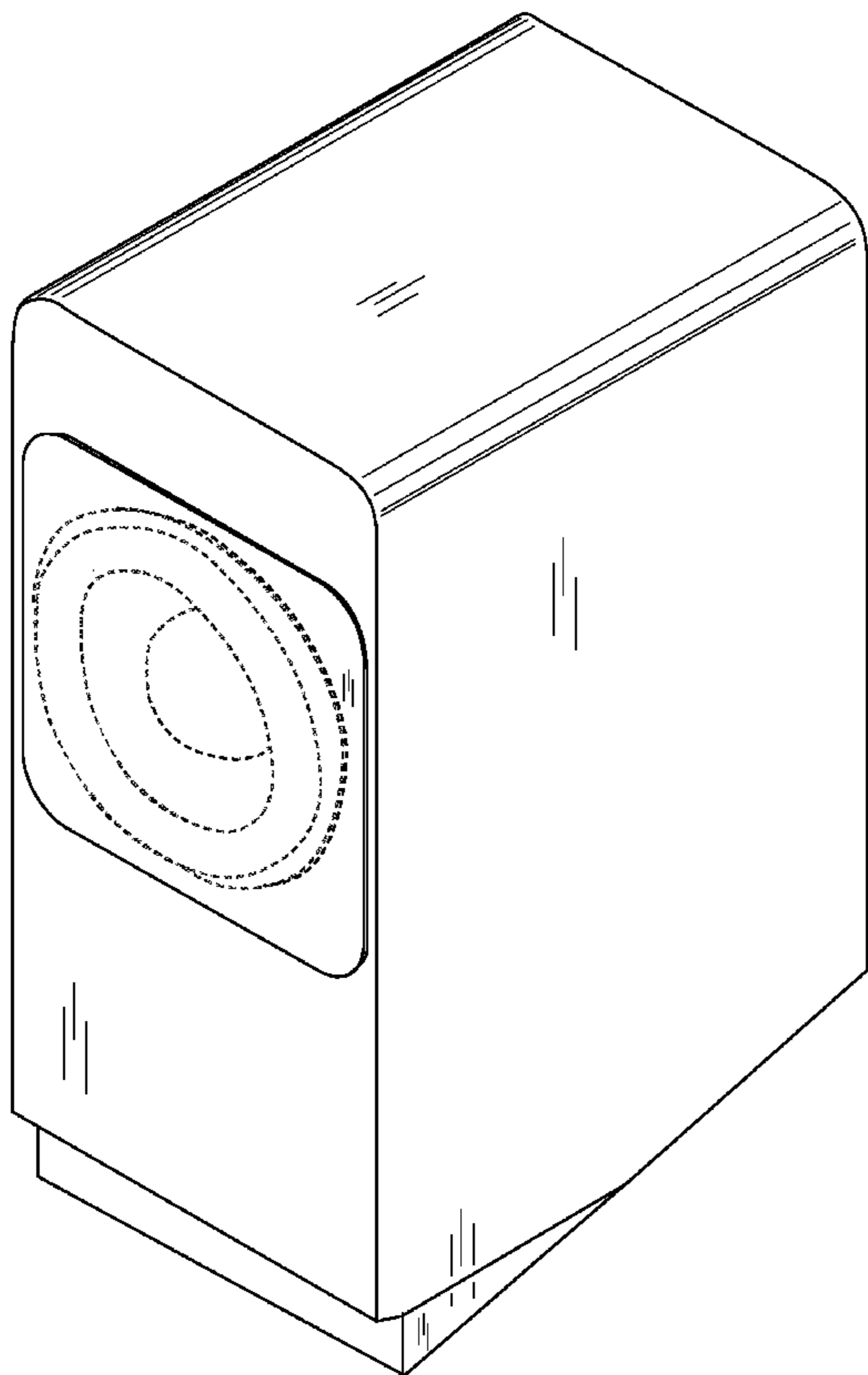
(57) **CLAIM**
The ornamental design for a speaker, as shown and described.

DESCRIPTION

FIG. 1 is a perspective view of the right side, front, and top of a speaker showing my new design;
 FIG. 2 is a perspective view of the left side, back, and top thereof;
 FIG. 3 is a front elevational view thereof;
 FIG. 4 is a left side elevational view; the right side elevational view being a mirror image of the left side elevational view;
 FIG. 5 is a top view thereof;
 FIG. 6 is a bottom elevational view thereof; and,
 FIG. 7 is a back elevational view thereof.
 The broken lines shown are included for the purpose of illustrating the unclaimed portions of the speaker and form no part of the claim.

1 Claim, 7 Drawing Sheets

- (56) **References Cited**
U.S. PATENT DOCUMENTS
D542,777 S * 5/2007 Sato D14/215
D618,215 S * 6/2010 Wang et al. D14/215
D624,048 S * 9/2010 Kim D14/215



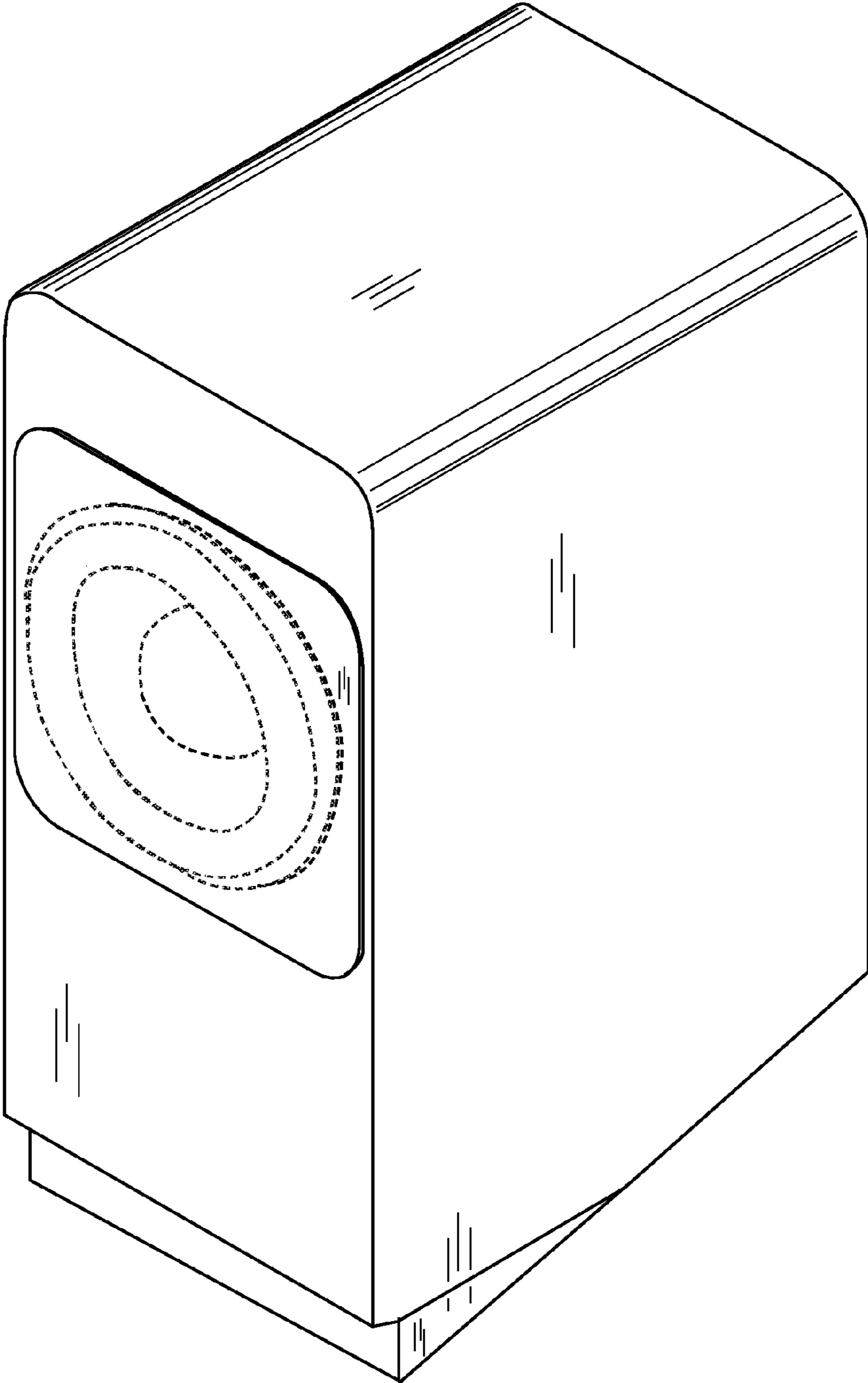


FIG. 1

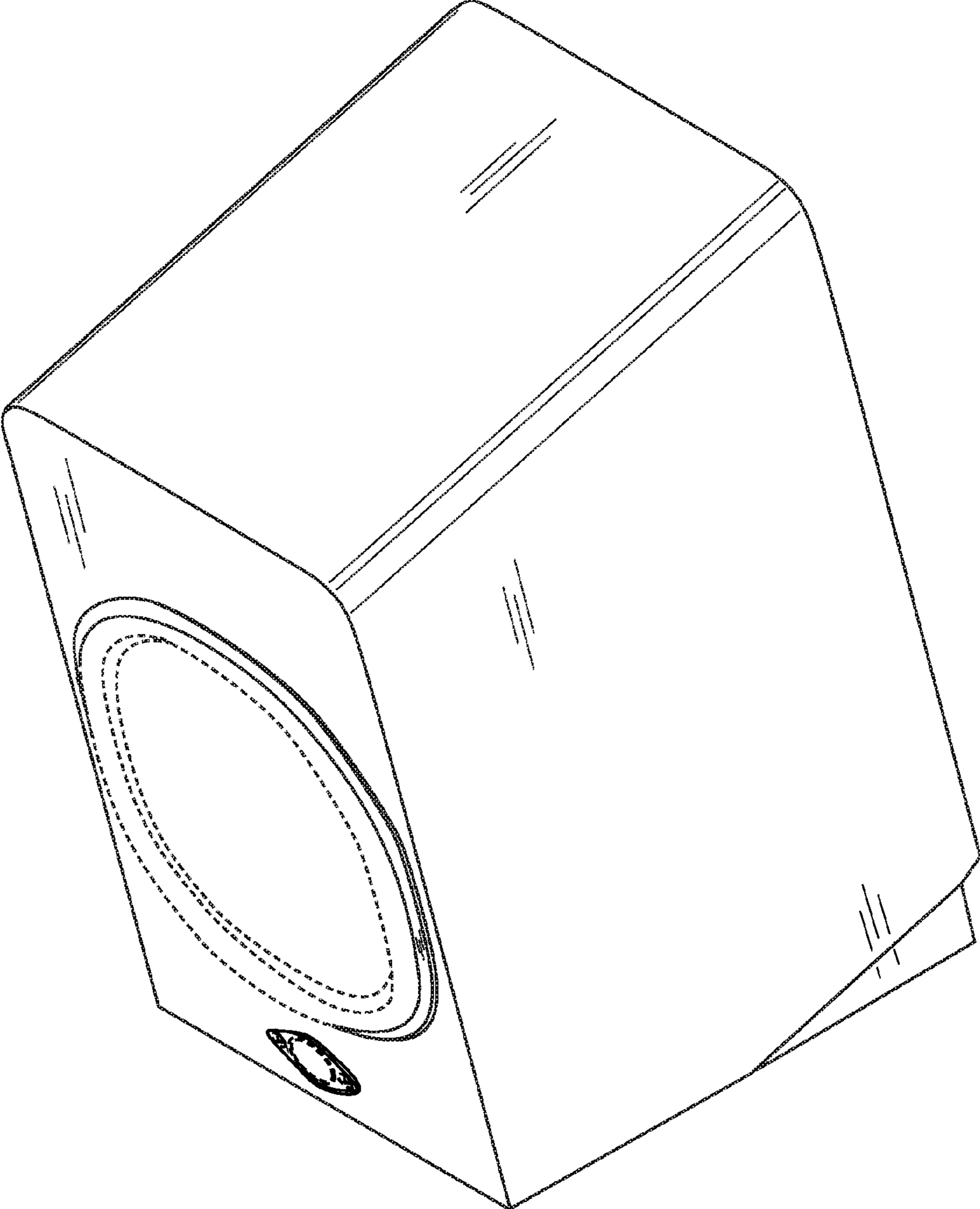


FIG. 2

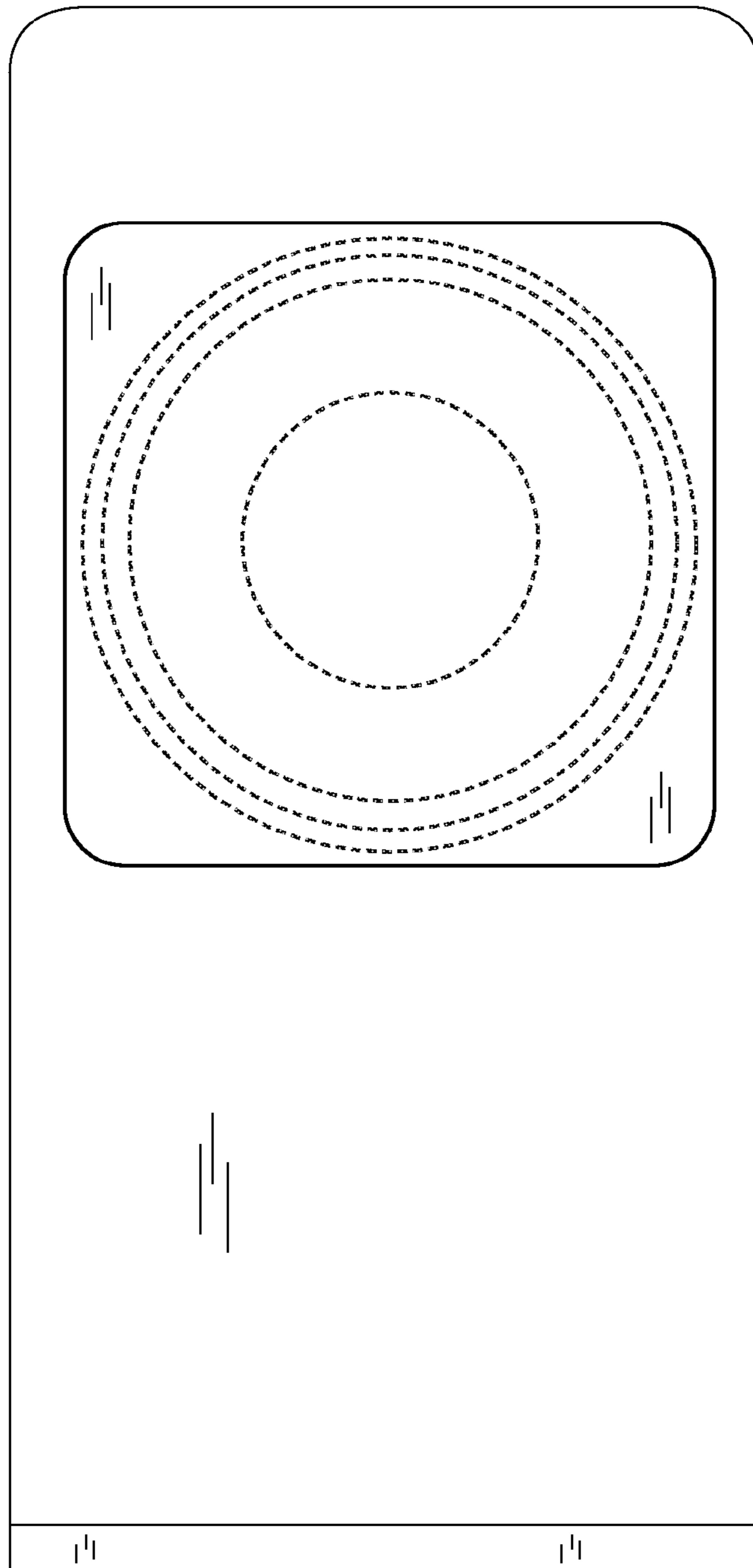


FIG. 3

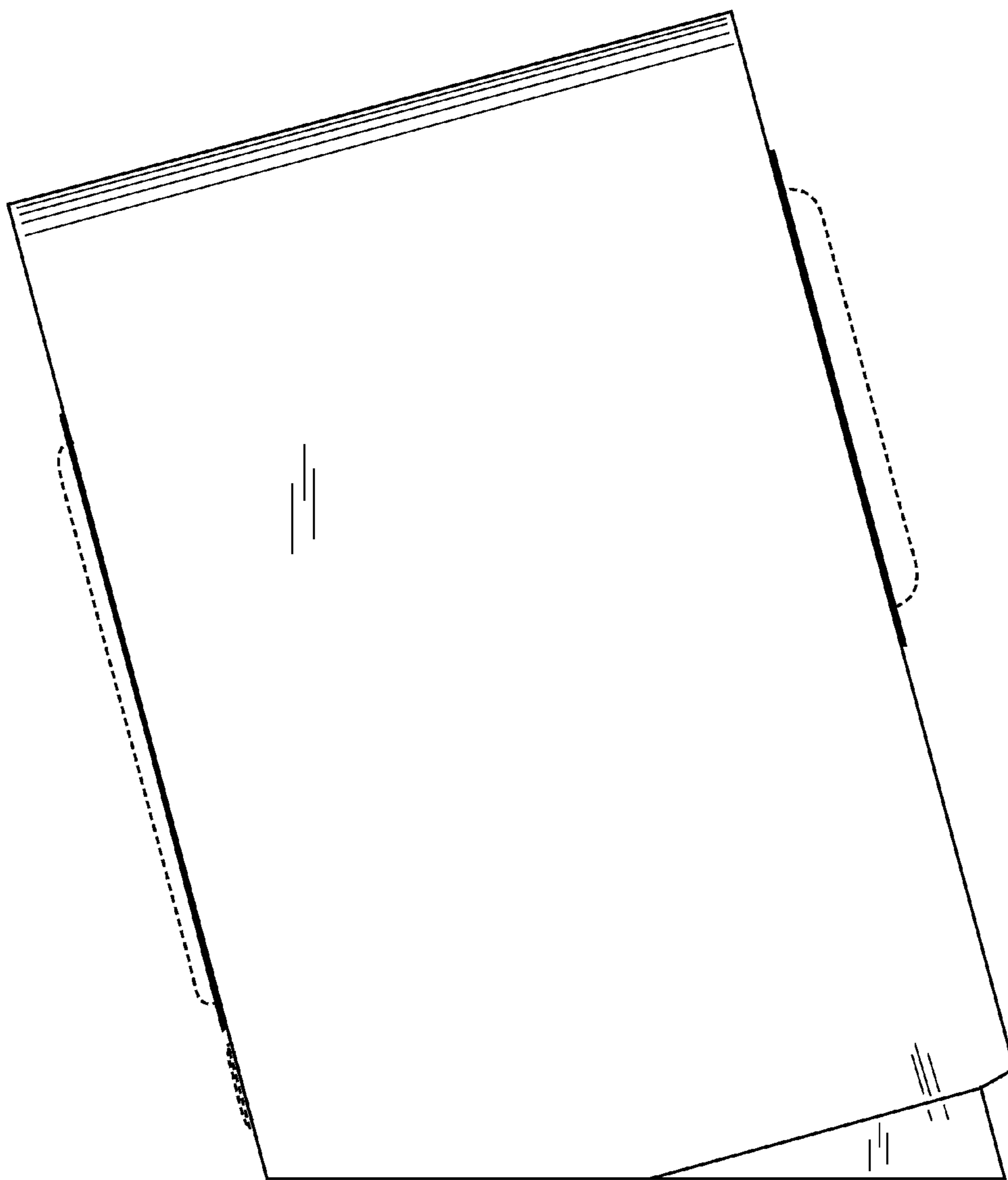


FIG. 4

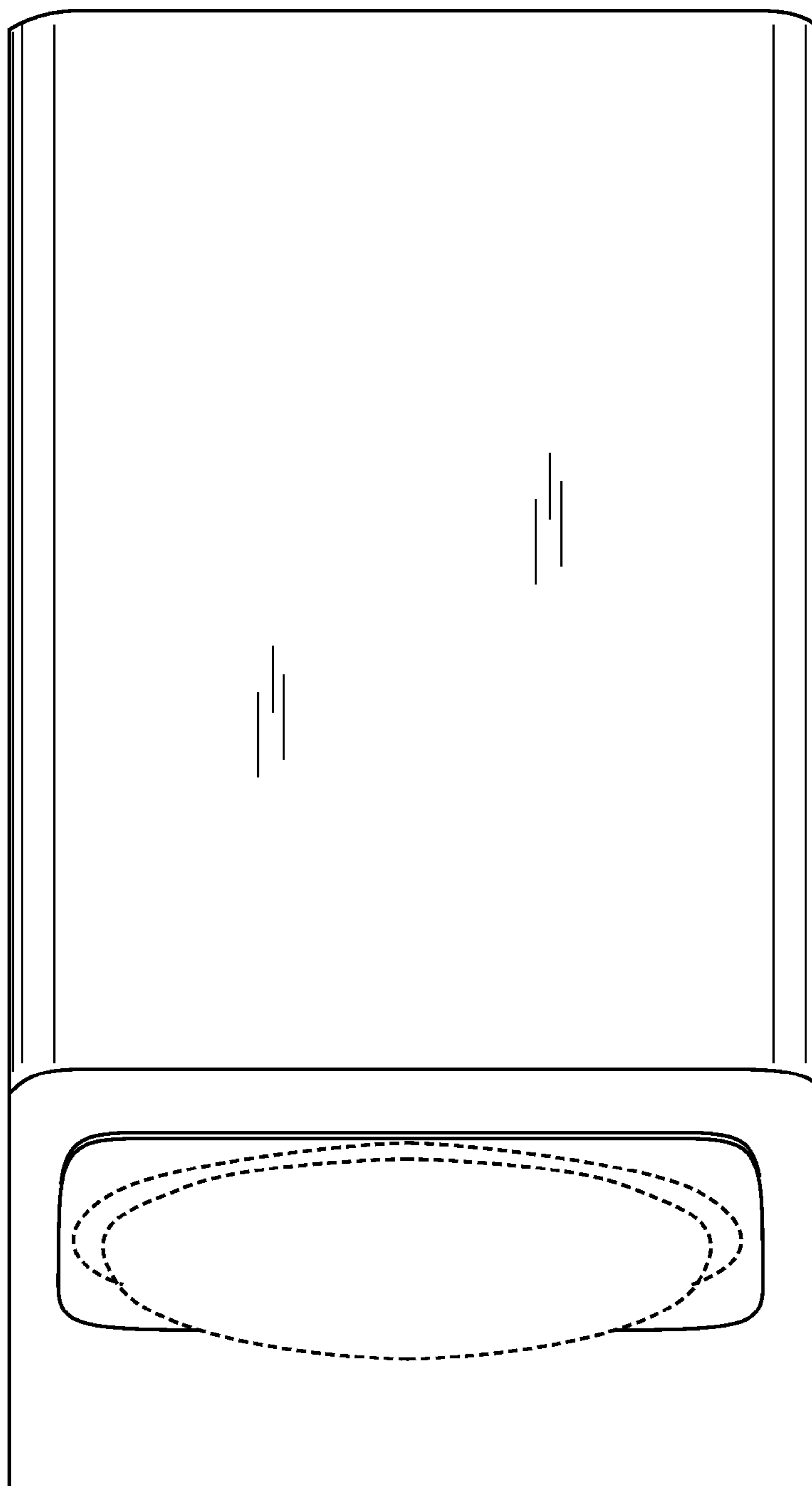


FIG. 5

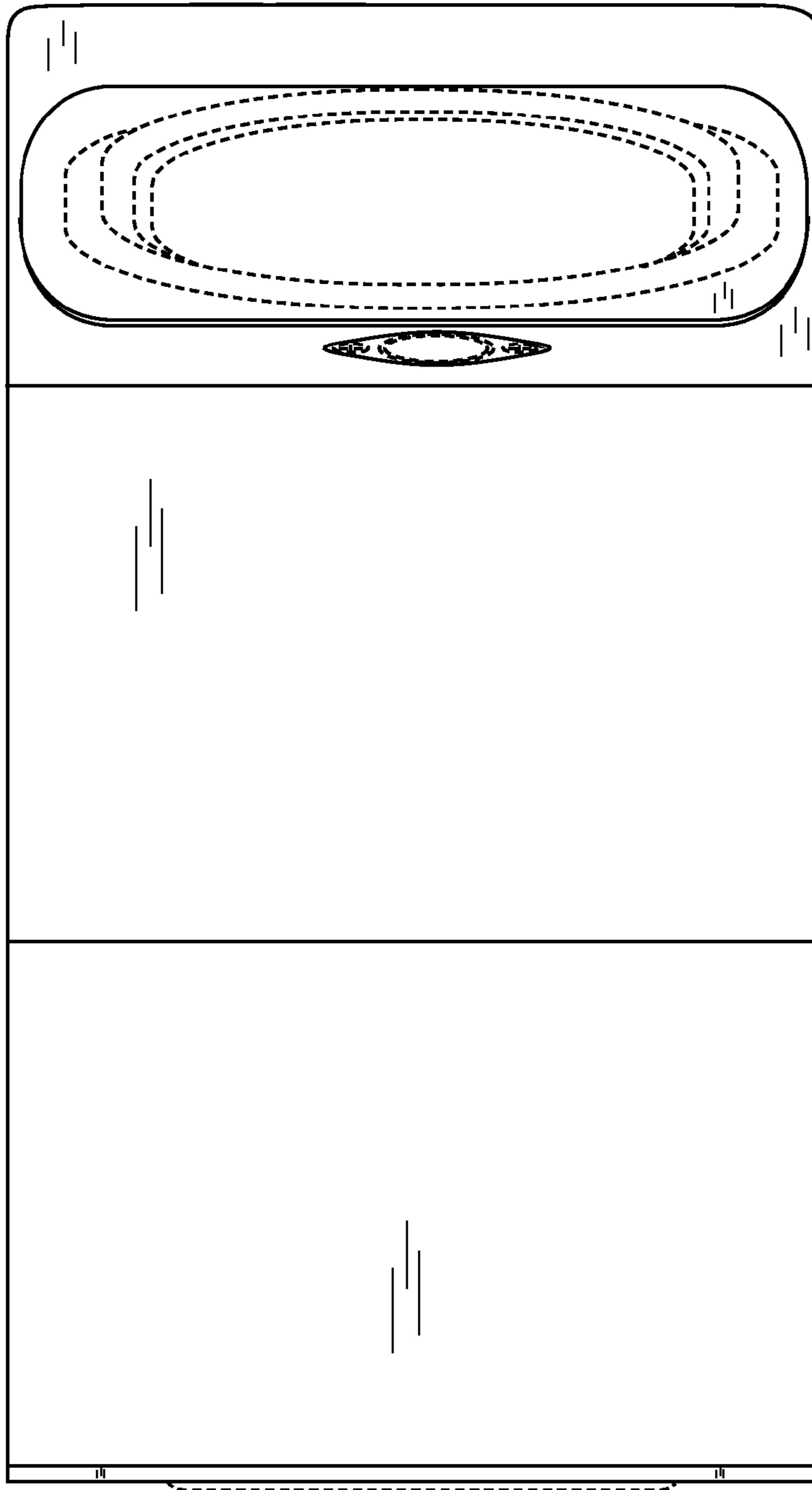


FIG. 6

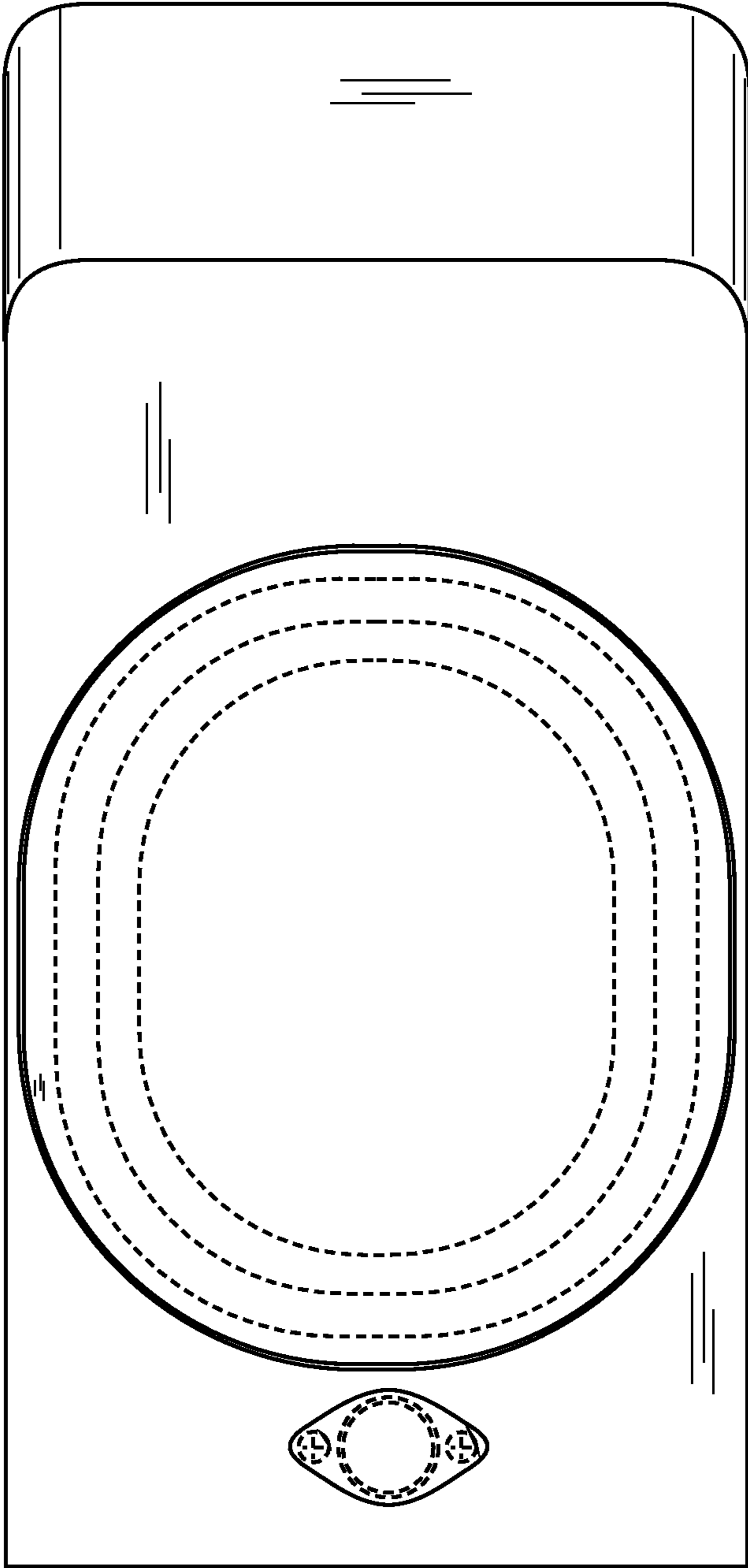


FIG. 7