



US00D687014S

(12) **United States Design Patent**  
**Paddock**

(10) **Patent No.:** **US D687,014 S**  
(45) **Date of Patent:** **\*\* Jul. 30, 2013**

- (54) **SPEAKER**
- (75) Inventor: **Thomas L. Paddock**, Truckee, CA (US)
- (73) Assignee: **Sound Research Corporation**, Truckee, CA (US)
- (\*\*) Term: **14 Years**
- (21) Appl. No.: **29/413,236**
- (22) Filed: **Feb. 13, 2012**
- (51) **LOC (9) Cl.** ..... **14-03**
- (52) **U.S. Cl.**  
USPC ..... **D14/215**
- (58) **Field of Classification Search**  
USPC ..... D14/167, 172, 194-196, 204, 207,  
D14/209.1, 210-216, 221, 222; 181/143,  
181/144, 147, 148, 150, 153, 157, 198, 199;  
381/300-303, 306, 332, 333, 336, 345,  
361-364, 386-388  
See application file for complete search history.

D627,329 S	11/2010	Ryu et al.	
D628,553 S *	12/2010	Cho .....	D14/168
D645,453 S *	9/2011	Kim et al. ....	D14/215
D655,275 S *	3/2012	Won et al. ....	D14/214
D664,119 S *	7/2012	Won et al. ....	D14/215
D675,598 S *	2/2013	Paddock .....	D14/215

**OTHER PUBLICATIONS**

U.S. Appl. No. 29/413,234 entitled "Speaker" filed Feb. 13, 2012, Paddock.

\* cited by examiner

*Primary Examiner* — Keli L Hill  
(74) *Attorney, Agent, or Firm* — Edward B. Weller

(57) **CLAIM**  
The ornamental design for a speaker, as shown and described.

**DESCRIPTION**

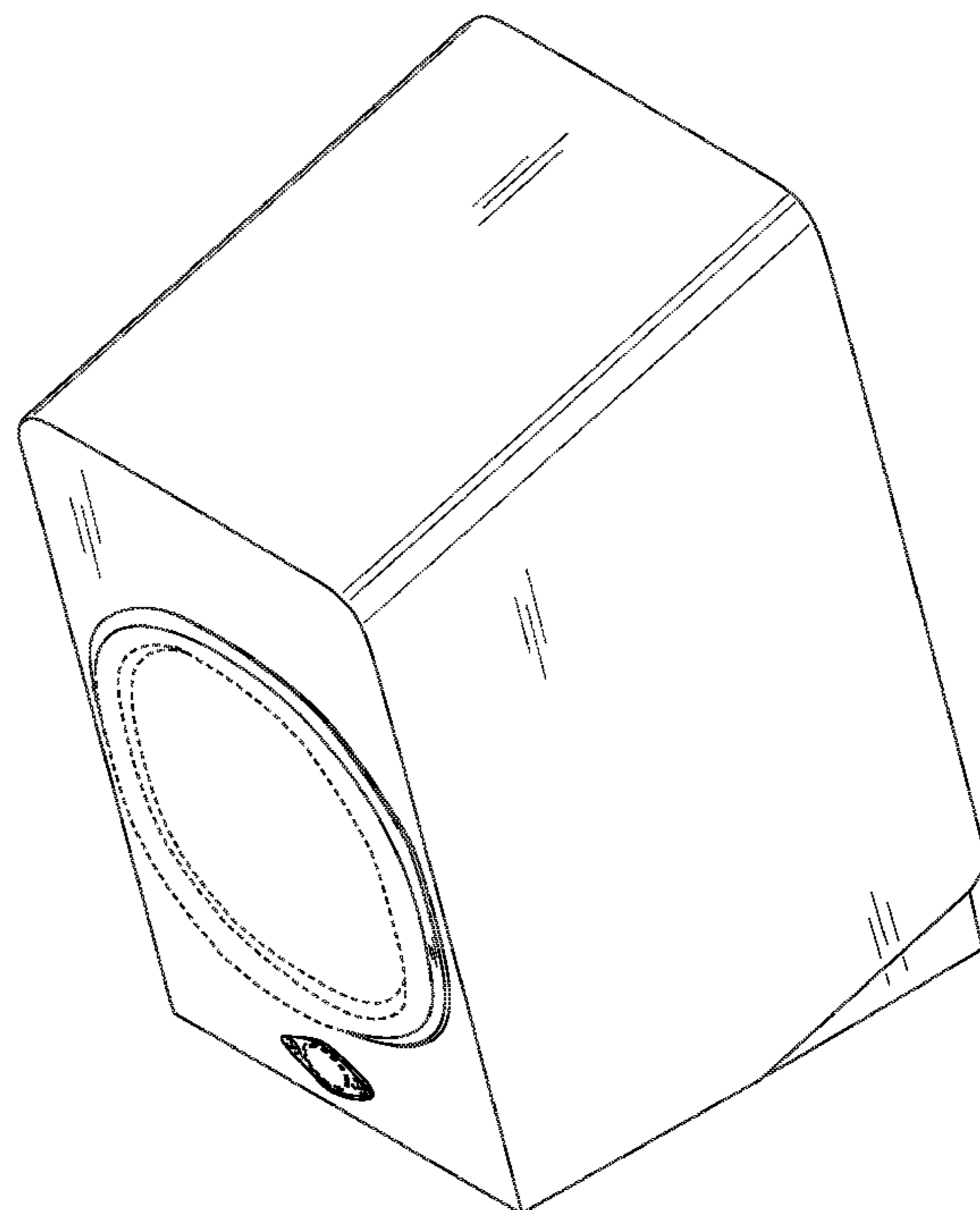
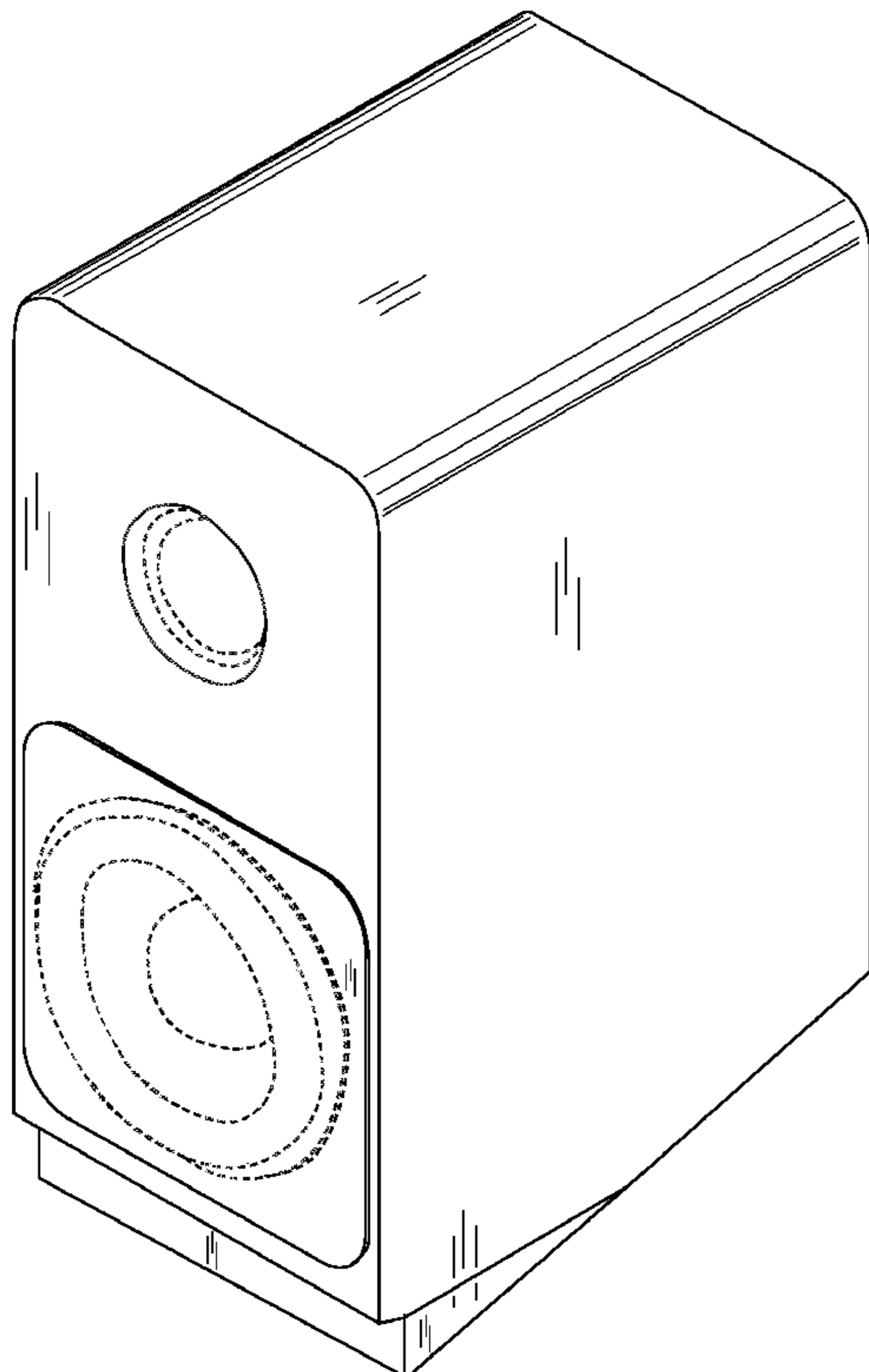
FIG. 1 is a perspective view of the right side, front, and top of a speaker showing my new design;  
 FIG. 2 is a perspective view of the left side, back, and top thereof;  
 FIG. 3 is a front elevational view thereof;  
 FIG. 4 is a left side elevational view; the right side elevational view being a mirror image of the left side elevational view;  
 FIG. 5 is a top view thereof;  
 FIG. 6 is a bottom elevational view thereof; and,  
 FIG. 7 is a back elevational view thereof.  
 The broken lines shown are included for the purpose of illustrating the unclaimed portions of the speaker and form no part of the claim.

**1 Claim, 7 Drawing Sheets**

(56) **References Cited**

**U.S. PATENT DOCUMENTS**

D439,239 S	3/2001	Ito et al.	
D439,240 S	3/2001	Ito et al.	
D518,818 S	4/2006	Motoishi	
D542,777 S	5/2007	Sato	
D544,466 S	6/2007	Pincek et al.	
D581,901 S	12/2008	Pincek et al.	
D618,215 S *	6/2010	Wang et al. ....	D14/215
D624,048 S	9/2010	Kim	



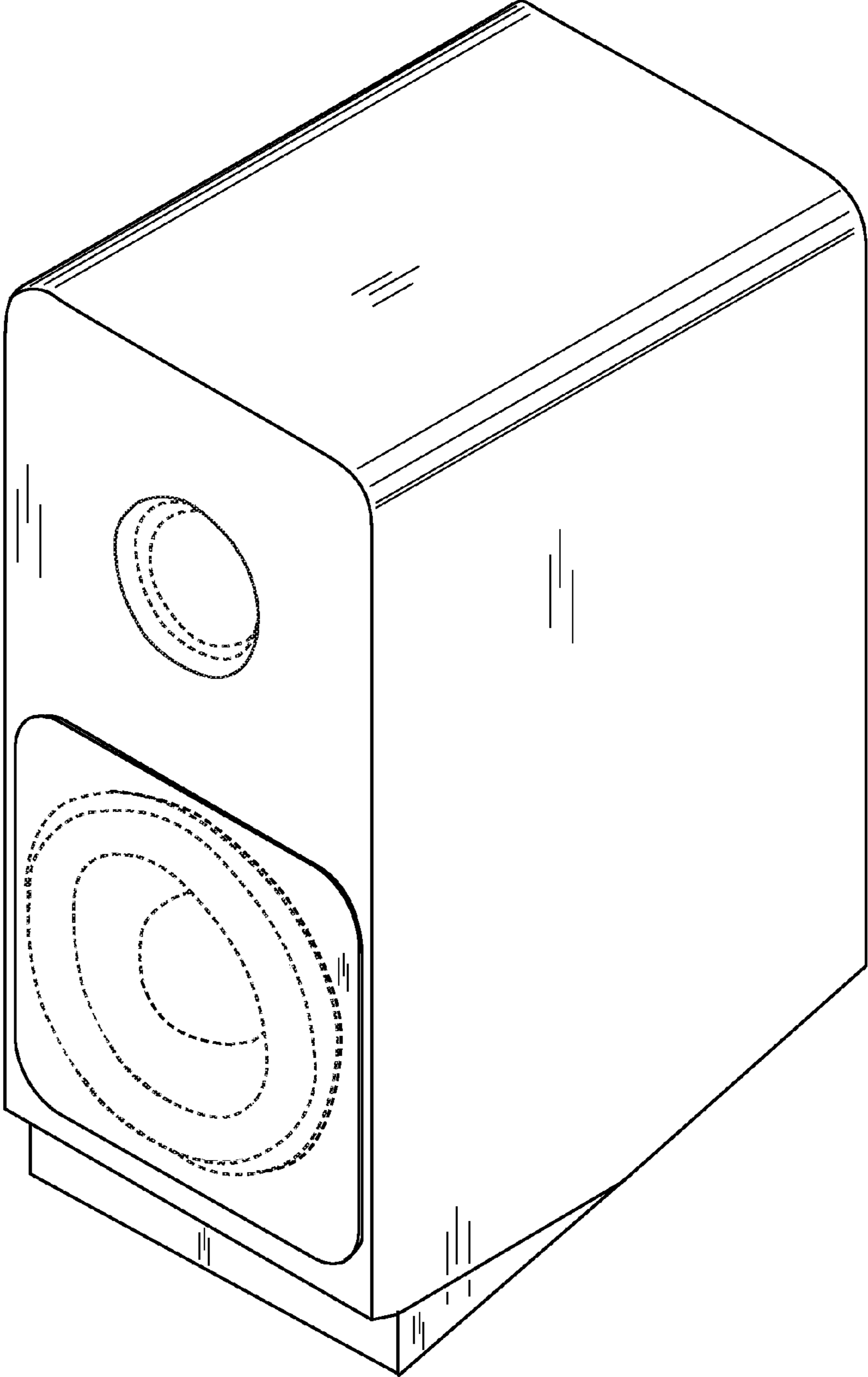


FIG. 1

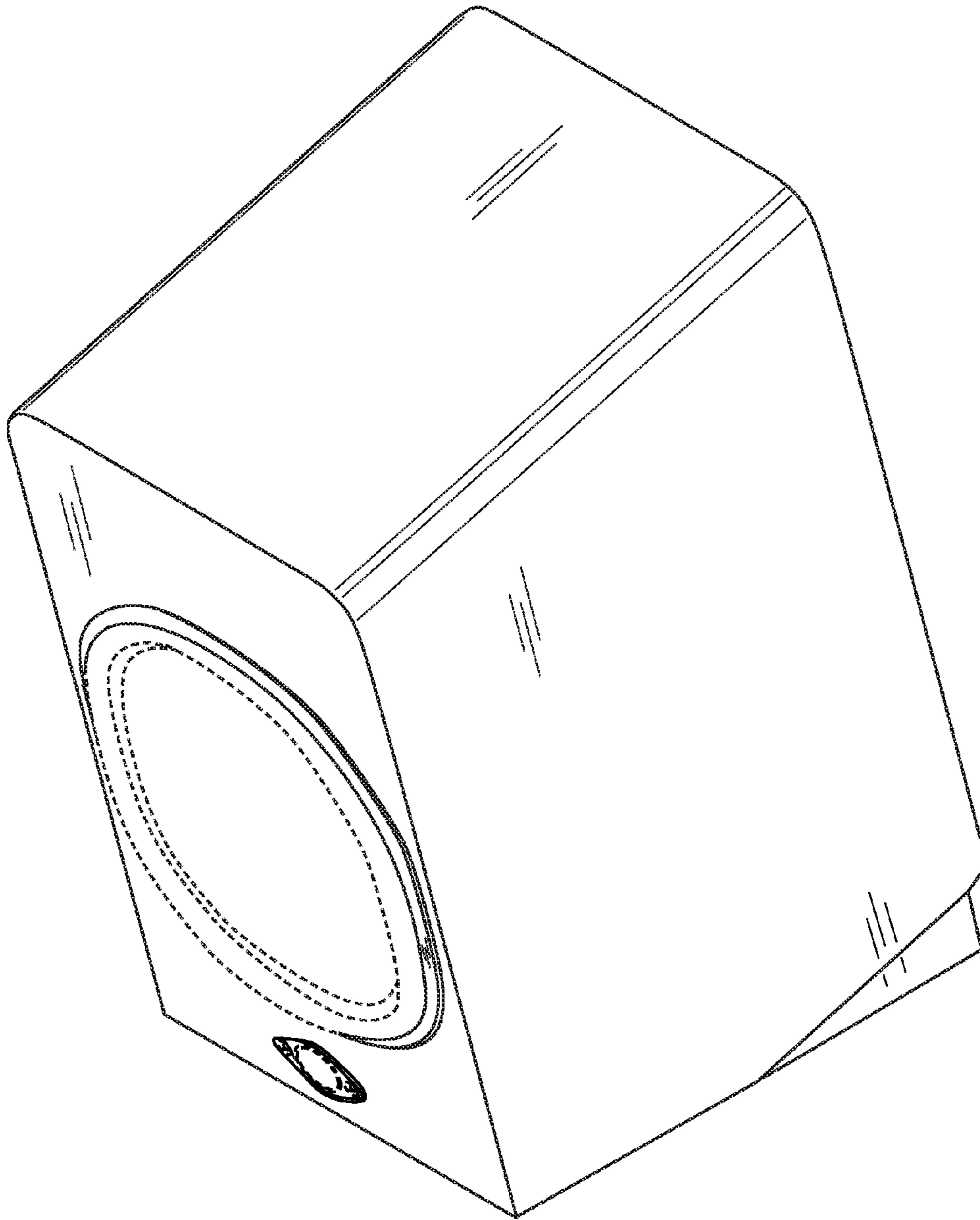


FIG. 2

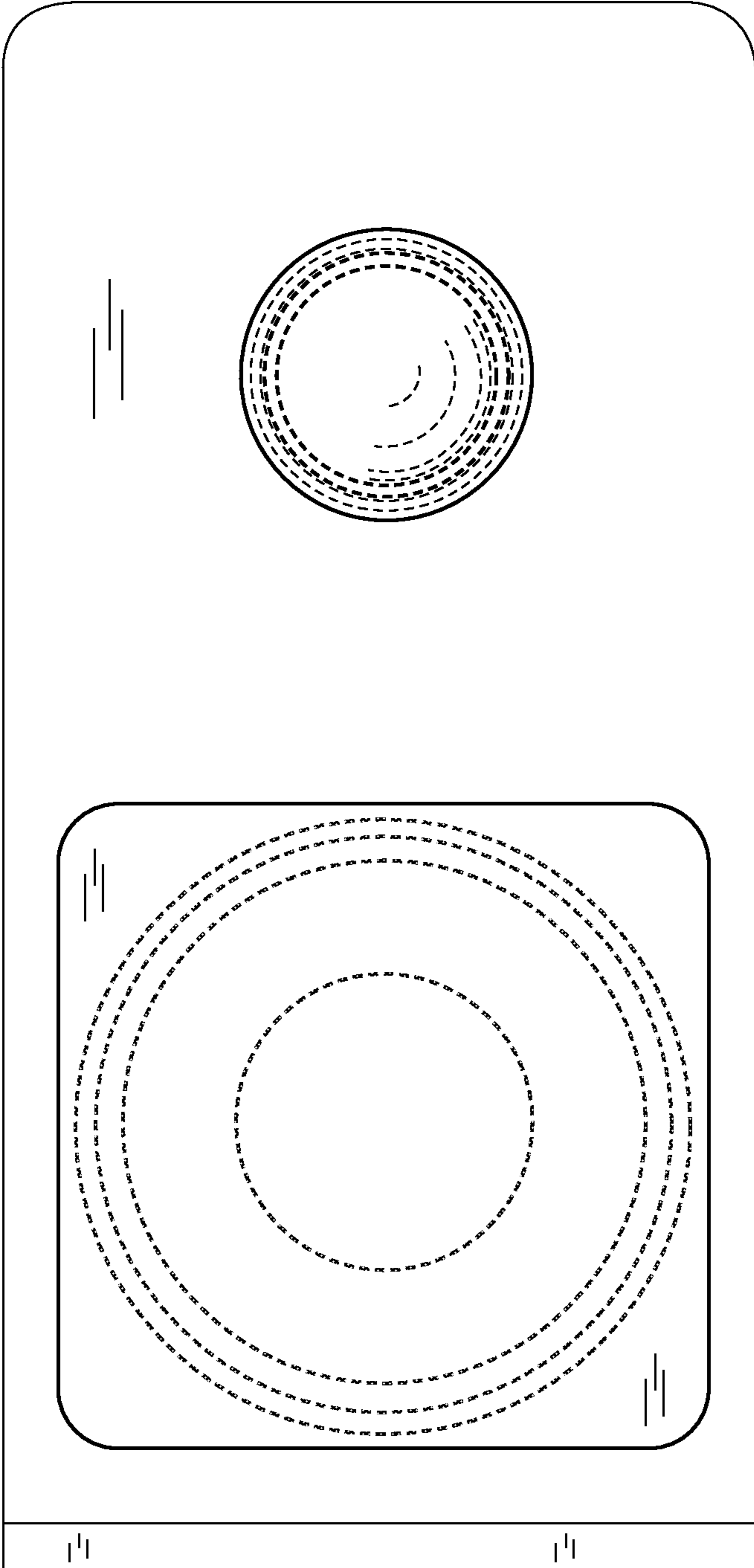


FIG. 3

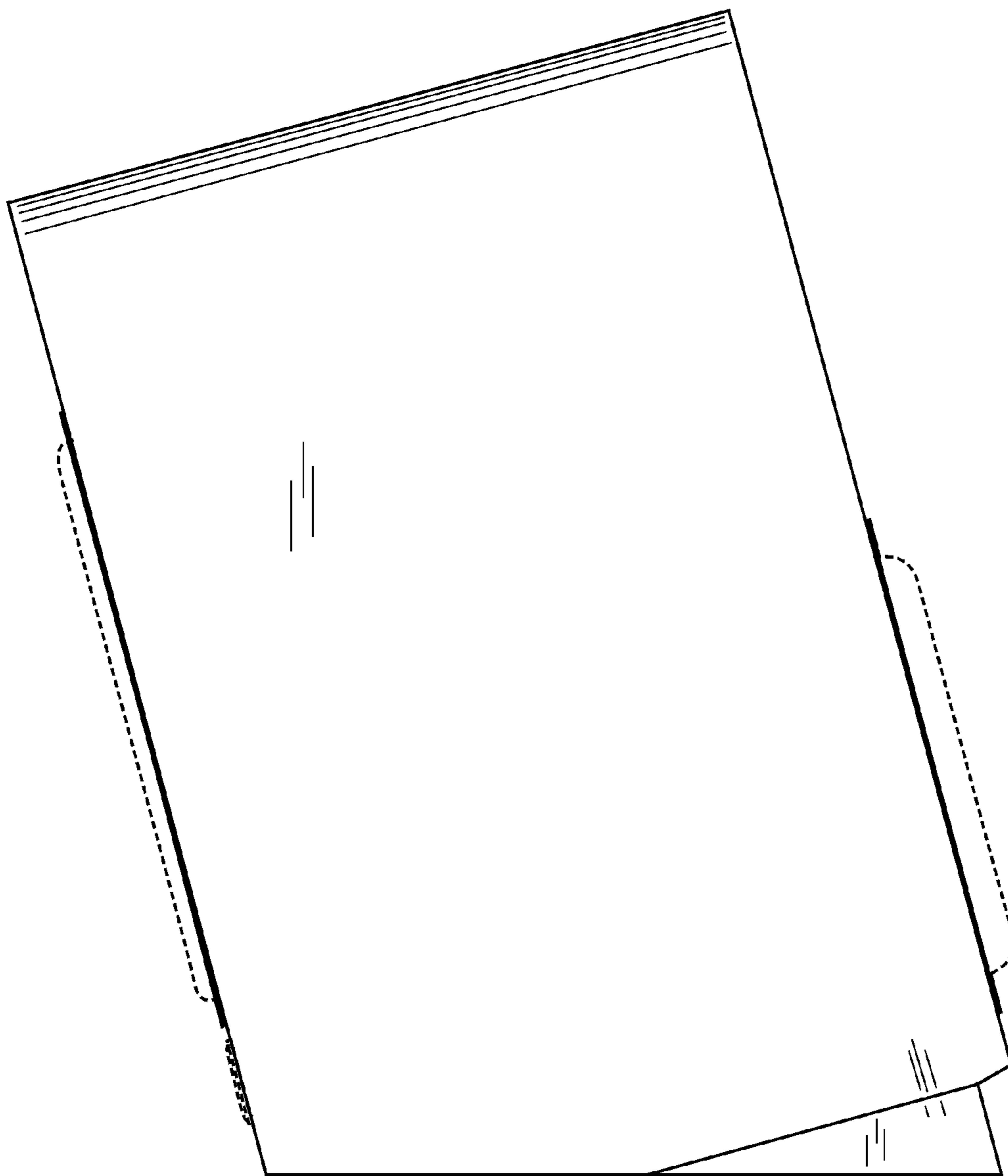


FIG. 4

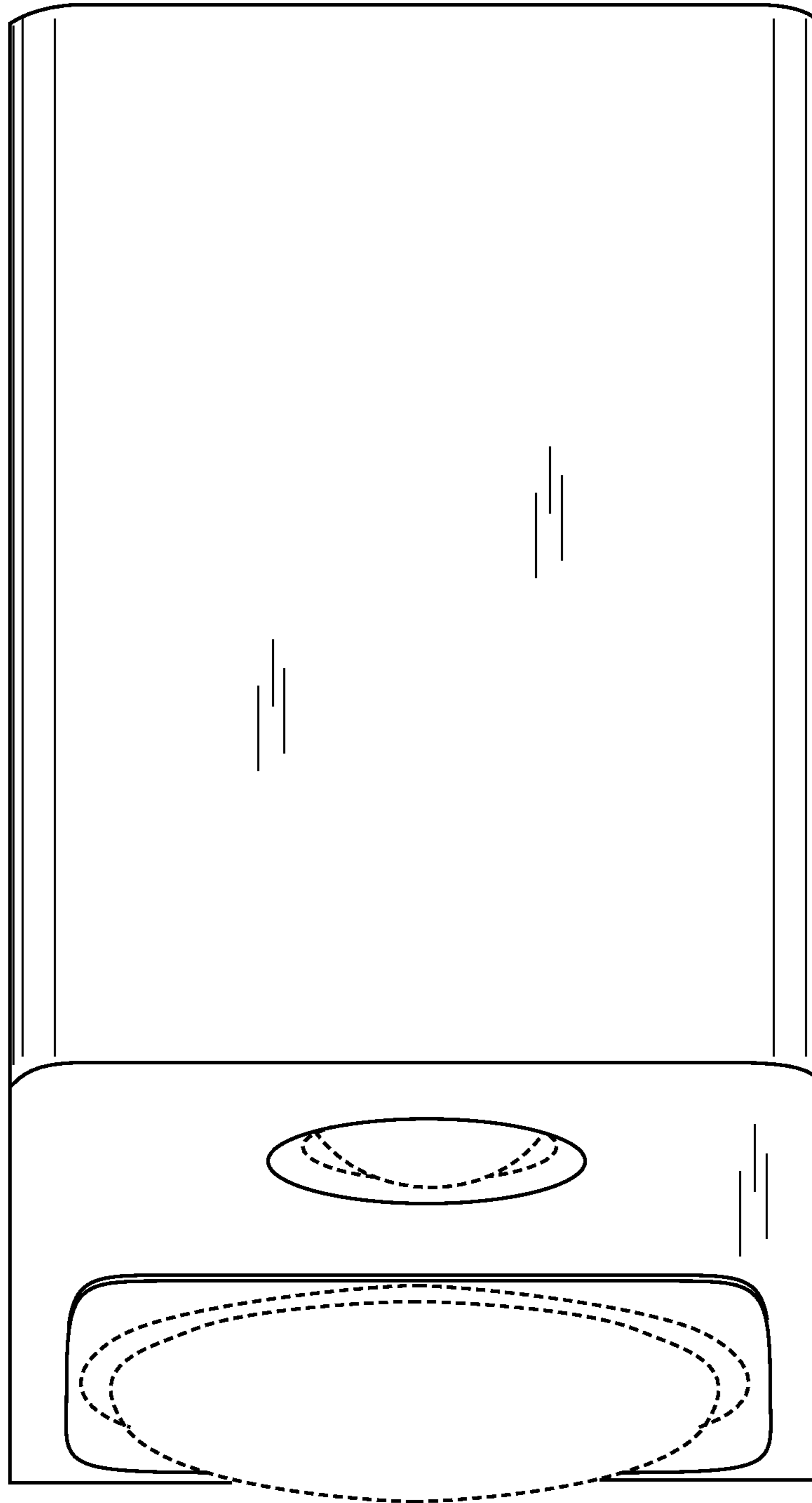


FIG. 5

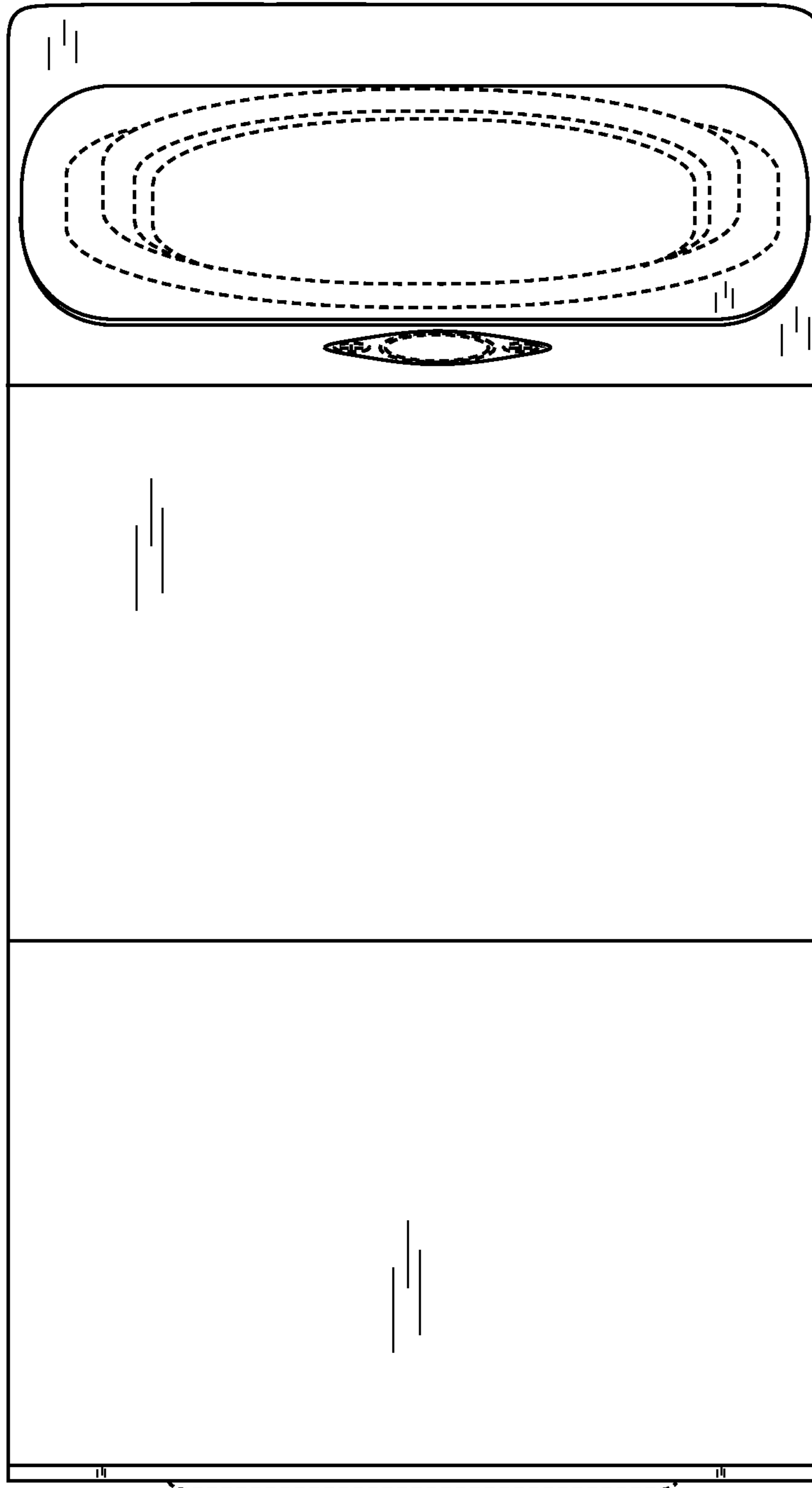


FIG. 6

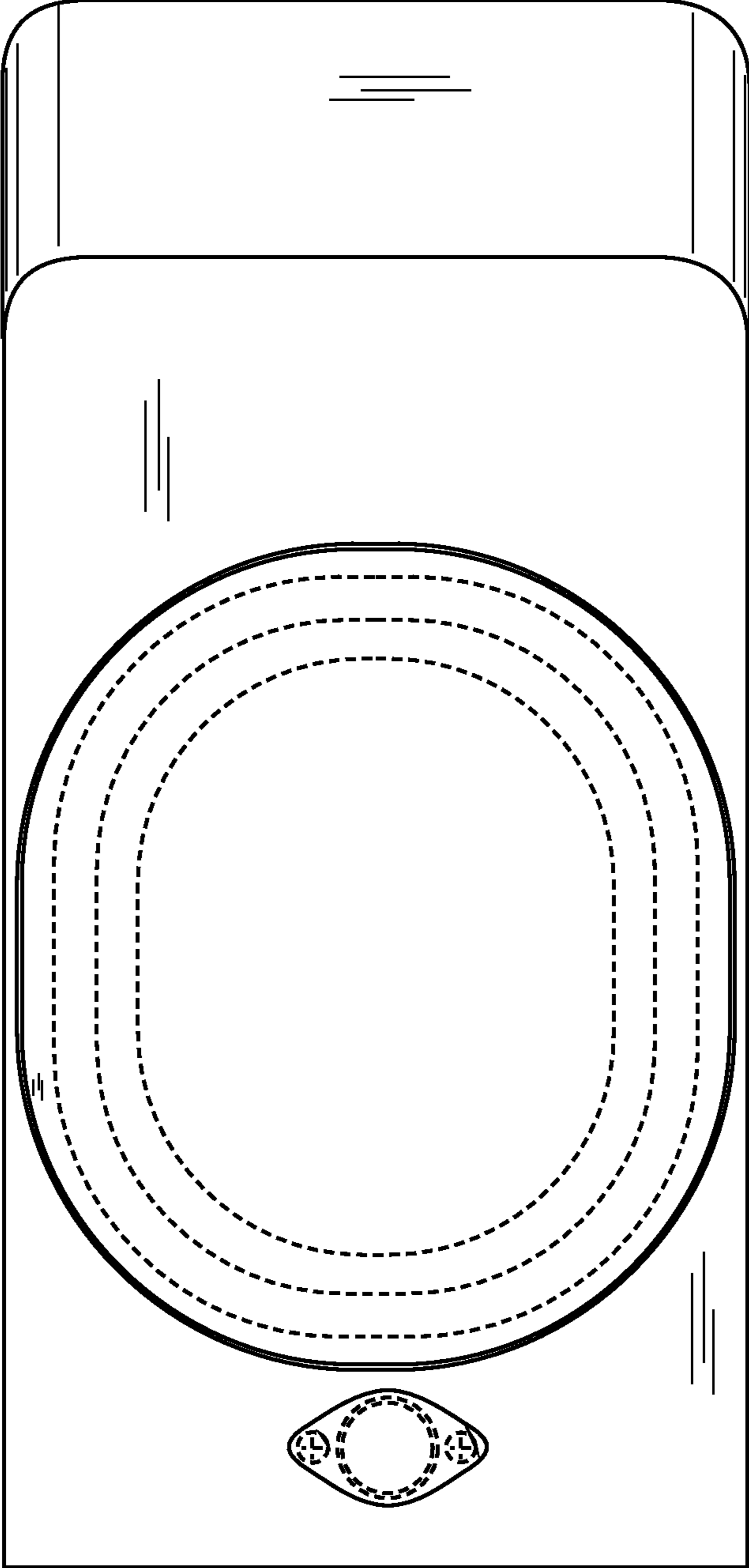


FIG. 7