



US00D687012S

(12) **United States Design Patent**  
**Ryu et al.**

(10) **Patent No.:** **US D687,012 S**  
(45) **Date of Patent:** **\*\* Jul. 30, 2013**

(54) **DOCKING SPEAKER**

(75) Inventors: **Daihyung Ryu**, Gyeonggi-do (KR);  
**Hana Kim**, Seoul (KR); **Hoyoung Joo**,  
Gyeonggi-do (KR); **Minjae Lee**, Seoul  
(KR)

(73) Assignee: **LG Electronics Inc.**, Seoul (KR)

(\*\*) Term: **14 Years**

(21) Appl. No.: **29/413,777**

(22) Filed: **Feb. 21, 2012**

(30) **Foreign Application Priority Data**

Sep. 2, 2011 (KR) ..... 30-2011-0037016

(51) **LOC (9) Cl.** ..... **14-01**

(52) **U.S. Cl.**  
USPC ..... **D14/209.1**

(58) **Field of Classification Search**  
USPC ..... D14/204, 204.1, 210–216, 172; 181/143,  
181/144, 147, 148, 150–153, 157, 198, 199;  
381/300–306, 332, 333, 336, 345, 361–364  
See application file for complete search history.

(56) **References Cited**

**U.S. PATENT DOCUMENTS**

5,937,074 A \* 8/1999 Carver ..... 381/395  
D471,888 S \* 3/2003 Solland ..... D14/204  
6,978,030 B2 \* 12/2005 Reich ..... 381/124  
D527,018 S \* 8/2006 Christianson ..... D14/203.8

7,689,197 B2 \* 3/2010 Laude et al. .... 455/344  
D647,504 S \* 10/2011 Choi ..... D14/209.1  
8,180,095 B2 \* 5/2012 Zhang ..... 381/387  
8,194,897 B2 \* 6/2012 Choi ..... 381/182  
D674,780 S \* 1/2013 Davies et al. .... D14/215  
D675,190 S \* 1/2013 Nysten ..... D14/215  
D676,412 S \* 2/2013 Holzer ..... D14/171  
D677,244 S \* 3/2013 Funayama ..... D14/209.1

\* cited by examiner

*Primary Examiner* — Prabhakar Deshmukh

(74) *Attorney, Agent, or Firm* — Morgan, Lewis & Bockius  
LLP

(57) **CLAIM**

The ornamental design for a docking speaker, as shown and  
described.

**DESCRIPTION**

FIG. 1 is a top, front, and right side, perspective view of a  
docking speaker showing our new design;  
FIG. 2 is a front view thereof;  
FIG. 3 is a rear view thereof;  
FIG. 4 is a left side view thereof;  
FIG. 5 is a right side view thereof;  
FIG. 6 is a top view thereof;  
FIG. 7 is a bottom view thereof; and,  
FIG. 8 is a perspective view thereof, showing the docking  
speaker in its environmental use.  
The broken lines depict environmental structure and form no  
part of the claimed design.

**1 Claim, 4 Drawing Sheets**

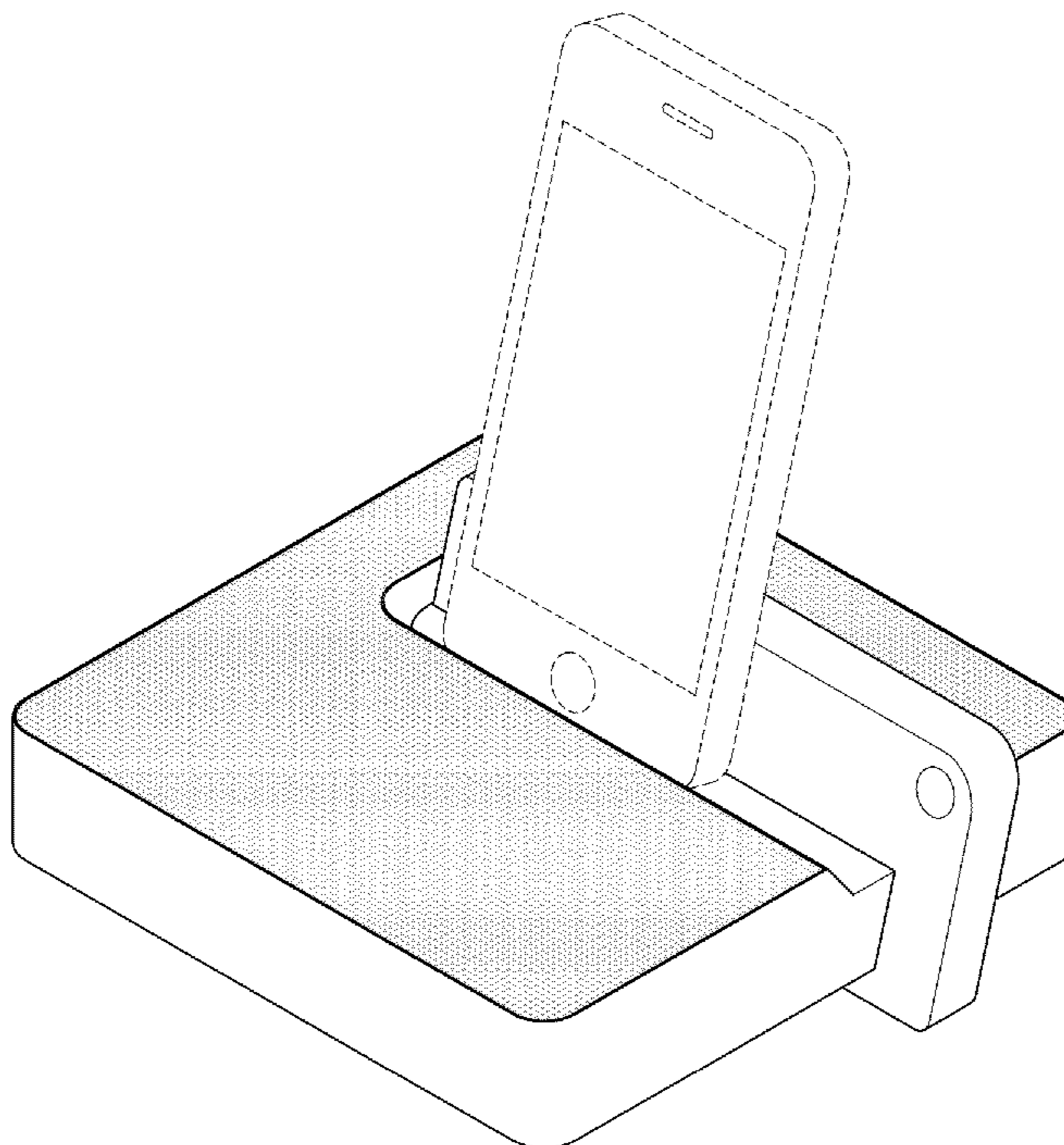


FIG. 1

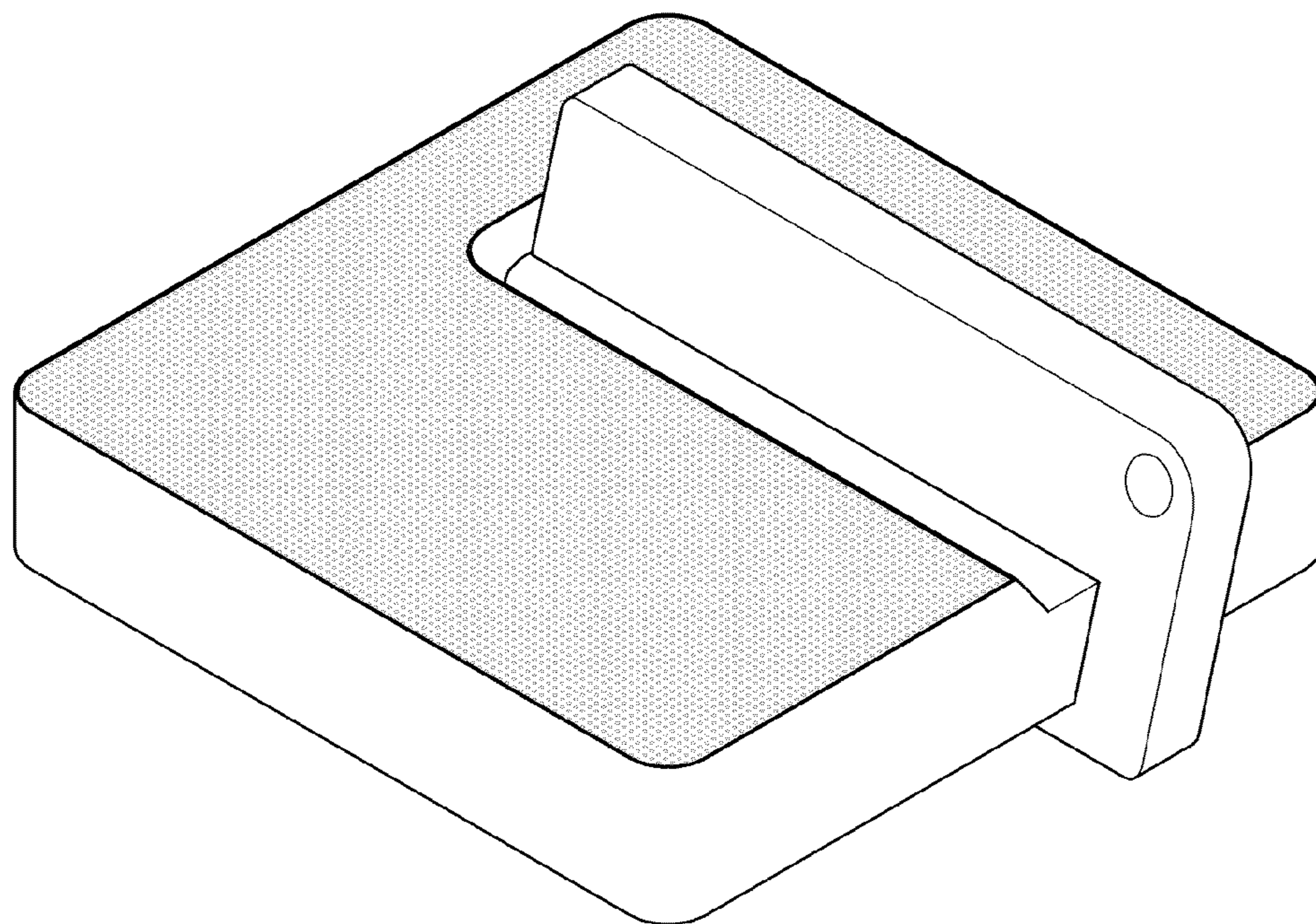


FIG. 2

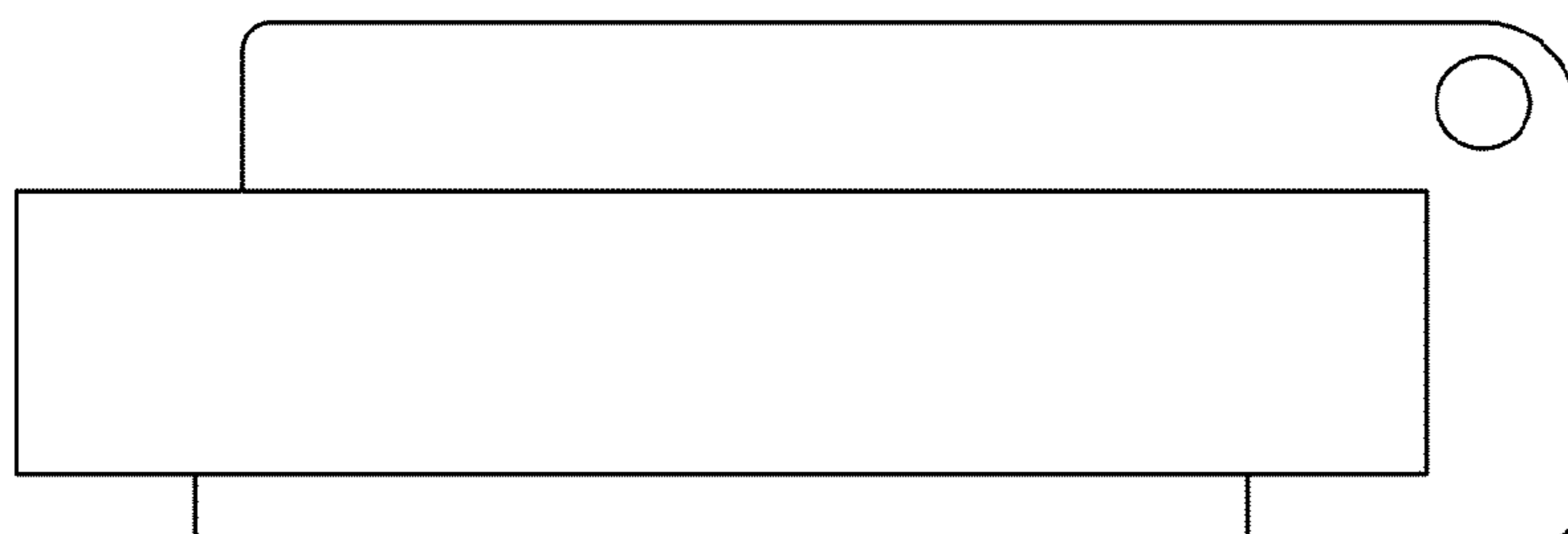


FIG. 3

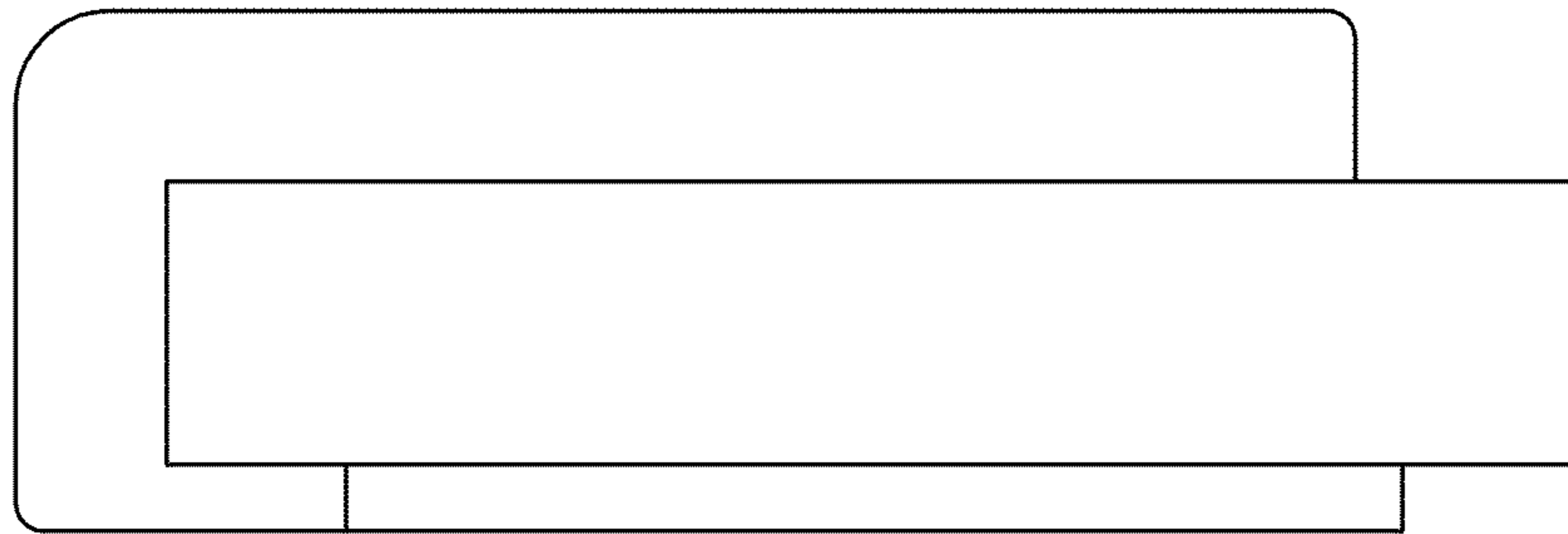


FIG. 4

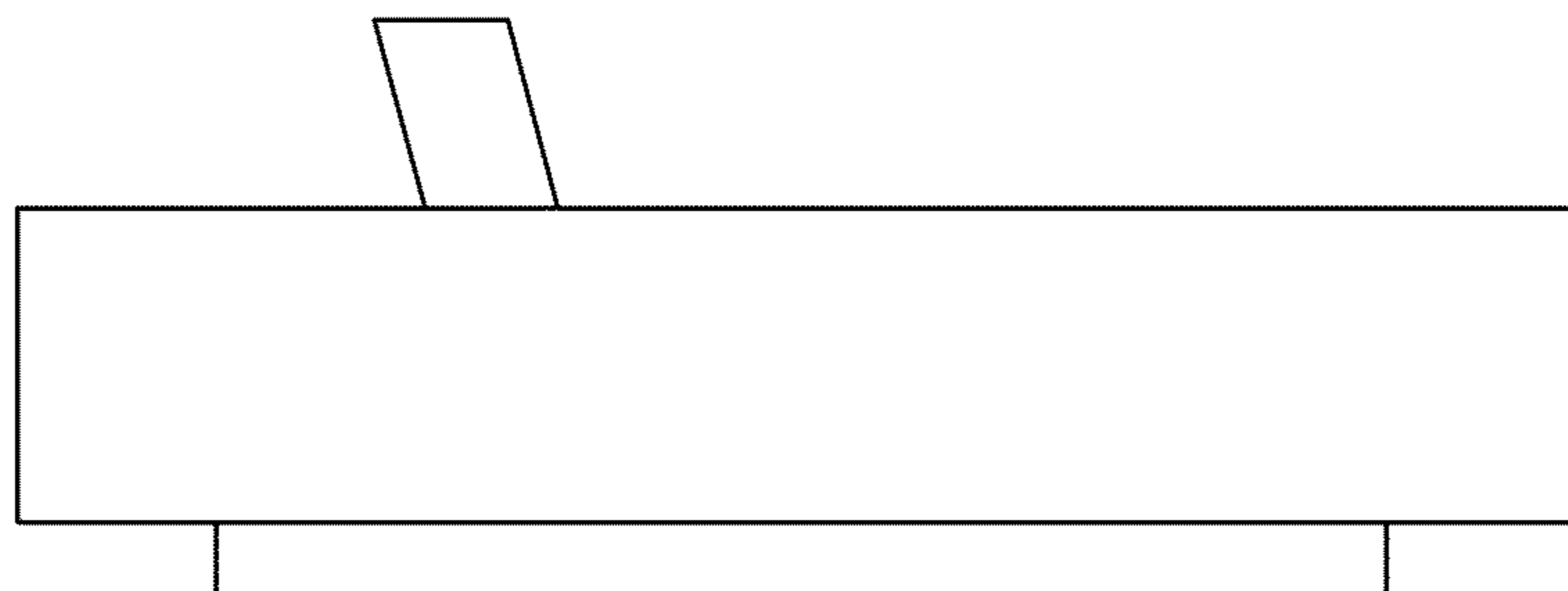


FIG. 5

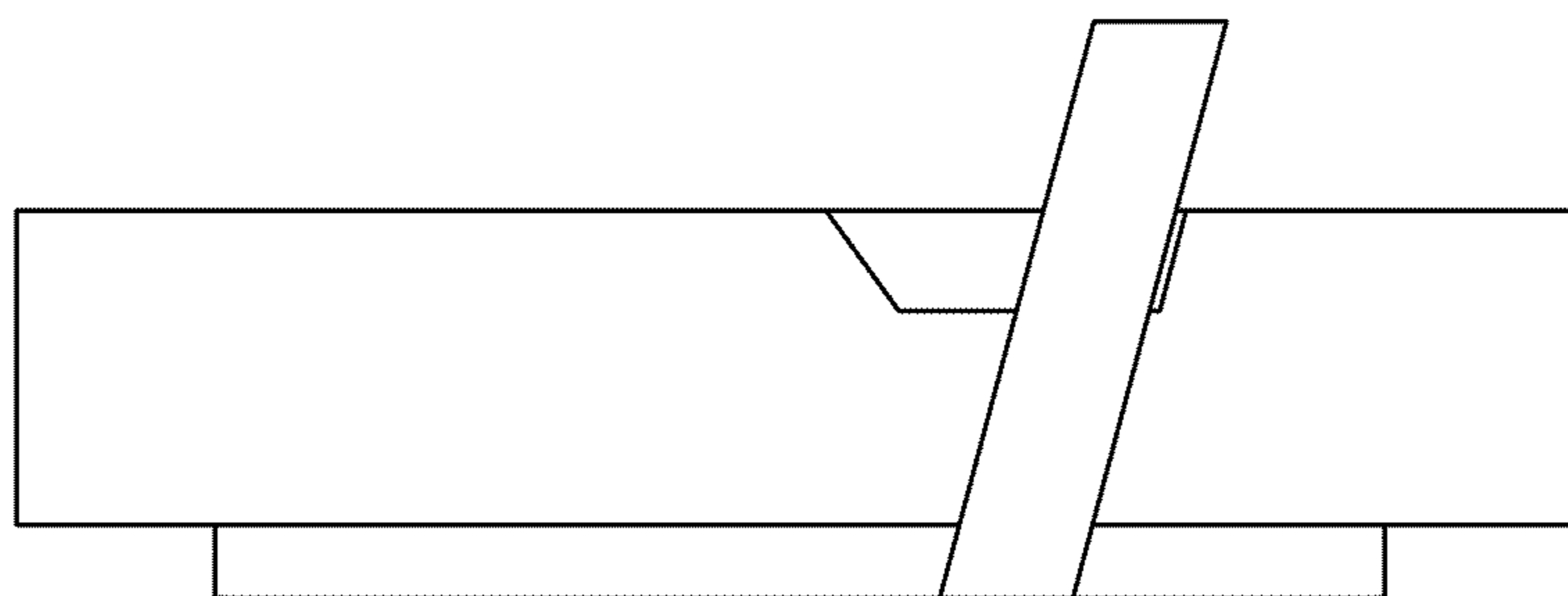




FIG. 6

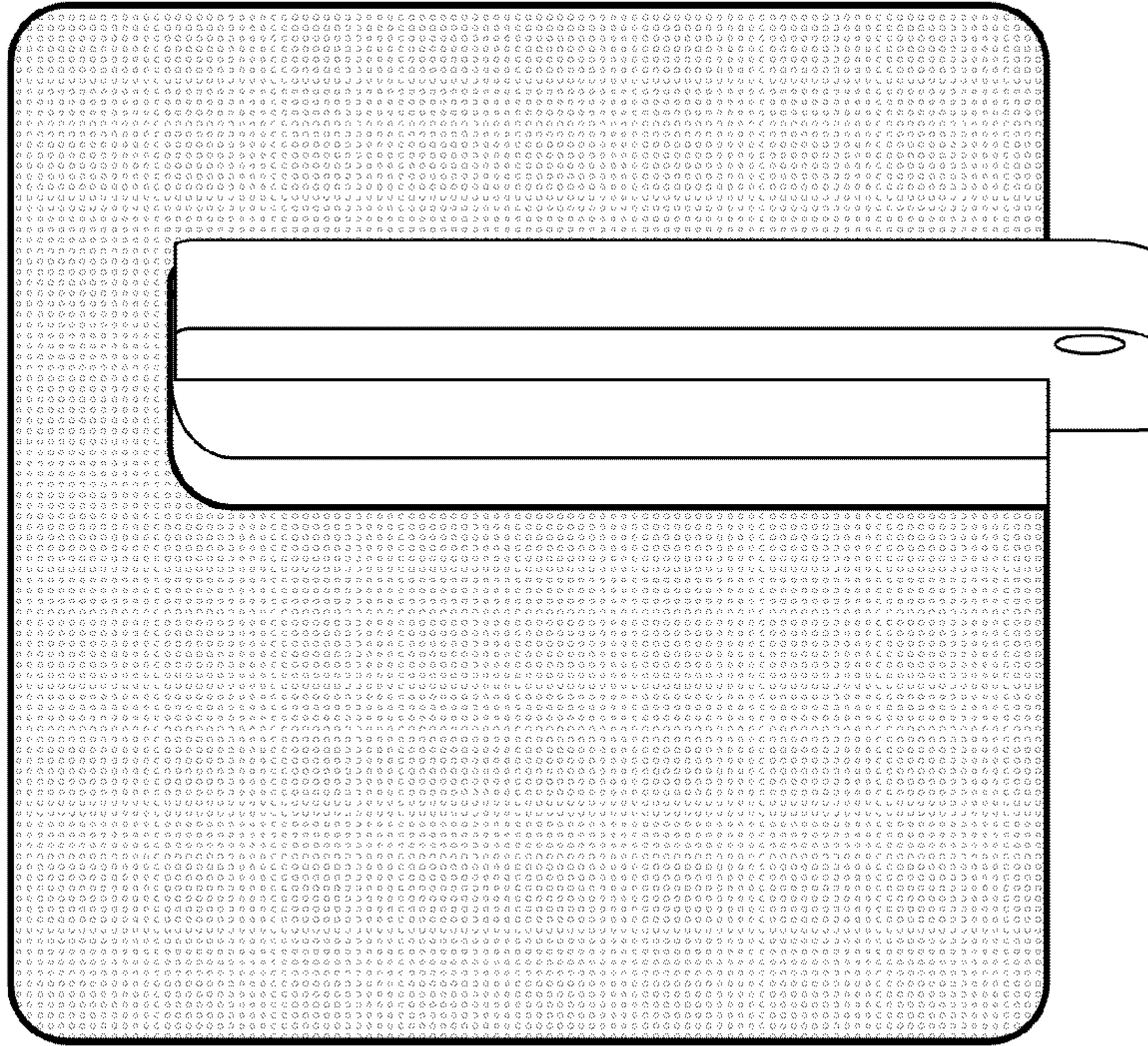


FIG. 7

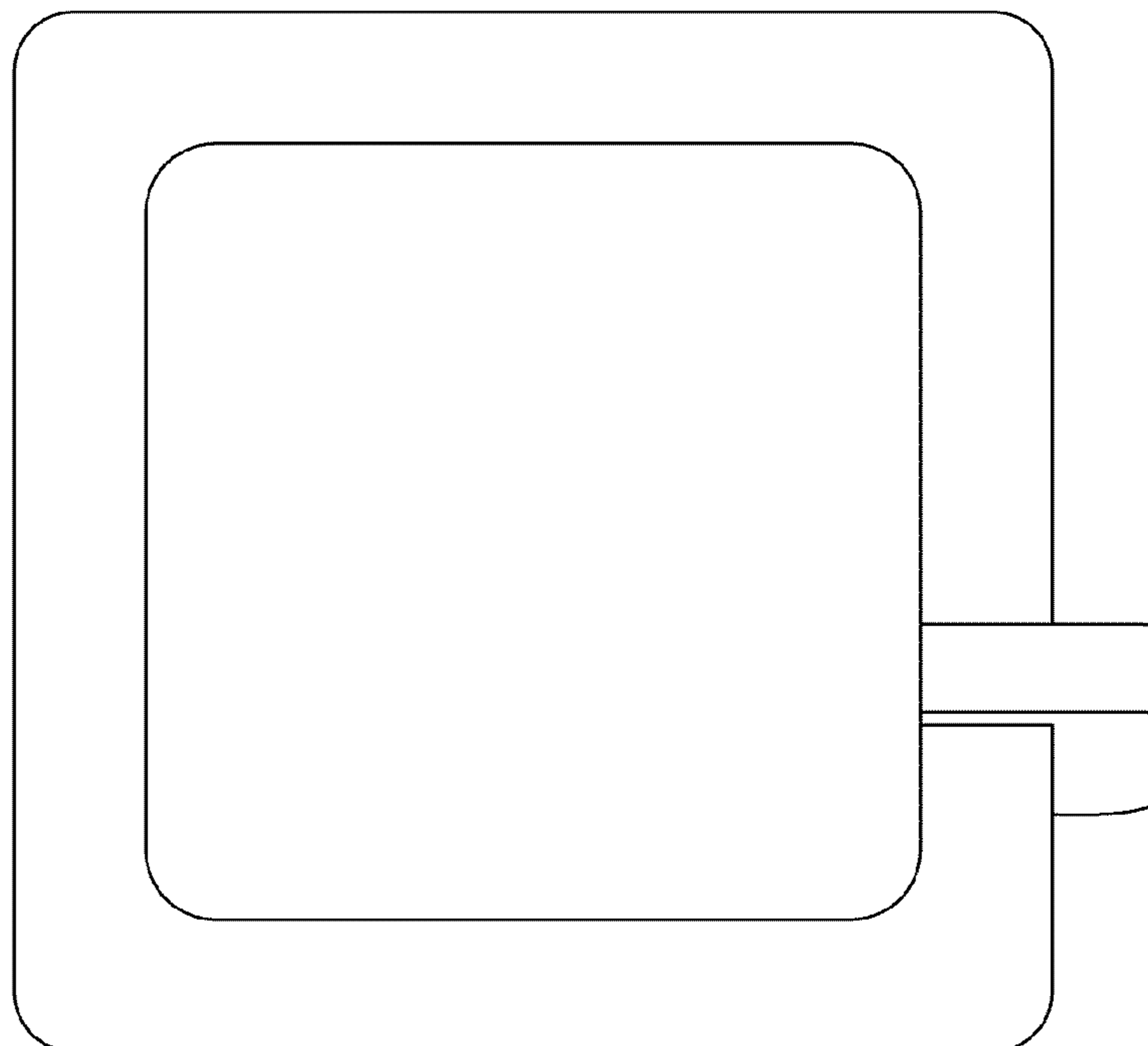


FIG. 8

