



US00D687010S

(12) **United States Design Patent**
McManigal et al.

(10) **Patent No.:** **US D687,010 S**

(45) **Date of Patent:** **** Jul. 30, 2013**

(54) **WIRELESS HDMI RECEIVER**

(75) Inventors: **Scott McManigal**, Irvine, CA (US);
Wesley Millora, Irvine, CA (US)

(73) Assignee: **Vizio Inc.**, Irvine, CA (US)

(**) Term: **14 Years**

(21) Appl. No.: **29/398,726**

(22) Filed: **Aug. 3, 2011**

(51) **LOC (9) Cl.** **14-02**

(52) **U.S. Cl.**
USPC **D14/188**; D14/240; D14/358

(58) **Field of Classification Search**
USPC D14/125, 126, 131, 137, 155, 168-171,
D14/188, 194, 197, 239, 257, 258, 496; D9/431;
369/6-12; 455/73, 90.1-90.3
See application file for complete search history.

(56) **References Cited**

U.S. PATENT DOCUMENTS

D91,023	S	*	11/1933	Ellsworth	D9/431
D205,139	S	*	6/1966	Joslow	D14/299
4,120,037	A	*	10/1978	Sato	708/108
D327,061	S	*	6/1992	Soren et al.	D14/138 R
D337,315	S	*	7/1993	Riza	D14/355
D349,897	S	*	8/1994	Soren et al.	D14/137
D441,374	S	*	5/2001	Genatossio	D14/496
D457,153	S	*	5/2002	Allen	D14/168
D506,193	S	*	6/2005	Shoushtari	D14/300
D507,263	S	*	7/2005	Narita	D14/240
D515,554	S	*	2/2006	Kwon et al.	D14/188
D564,542	S	*	3/2008	Green et al.	D14/496
D599,761	S	*	9/2009	Birsel et al.	D14/138 R

D601,555	S	*	10/2009	Zhang et al.	D14/300
D637,983	S	*	5/2011	Kim et al.	D14/125
8,005,518	B1	*	8/2011	Birsel et al.	455/575.1
D661,286	S	*	6/2012	McManigal et al.	D14/240
D672,334	S	*	12/2012	Tzeng	D14/212
2007/0072657	A1	*	3/2007	Hyun et al.	455/575.3
2007/0211579	A1	*	9/2007	Yoshimura et al.	369/7

OTHER PUBLICATIONS

Gadget Review: XWH200 Wireless HDMI Kit, [online] posted Jan. 7, 2012 [retrieved on Jan. 24, 2013]. Retrieved from the Internet <URL: <http://www.gev.com/2012/01/gadget-review-xwh200-wireless-hdmi-kit/>>.*

* cited by examiner

Primary Examiner — Karen E Kearney

(74) *Attorney, Agent, or Firm* — Law Office of Scott C. Harris, Inc.

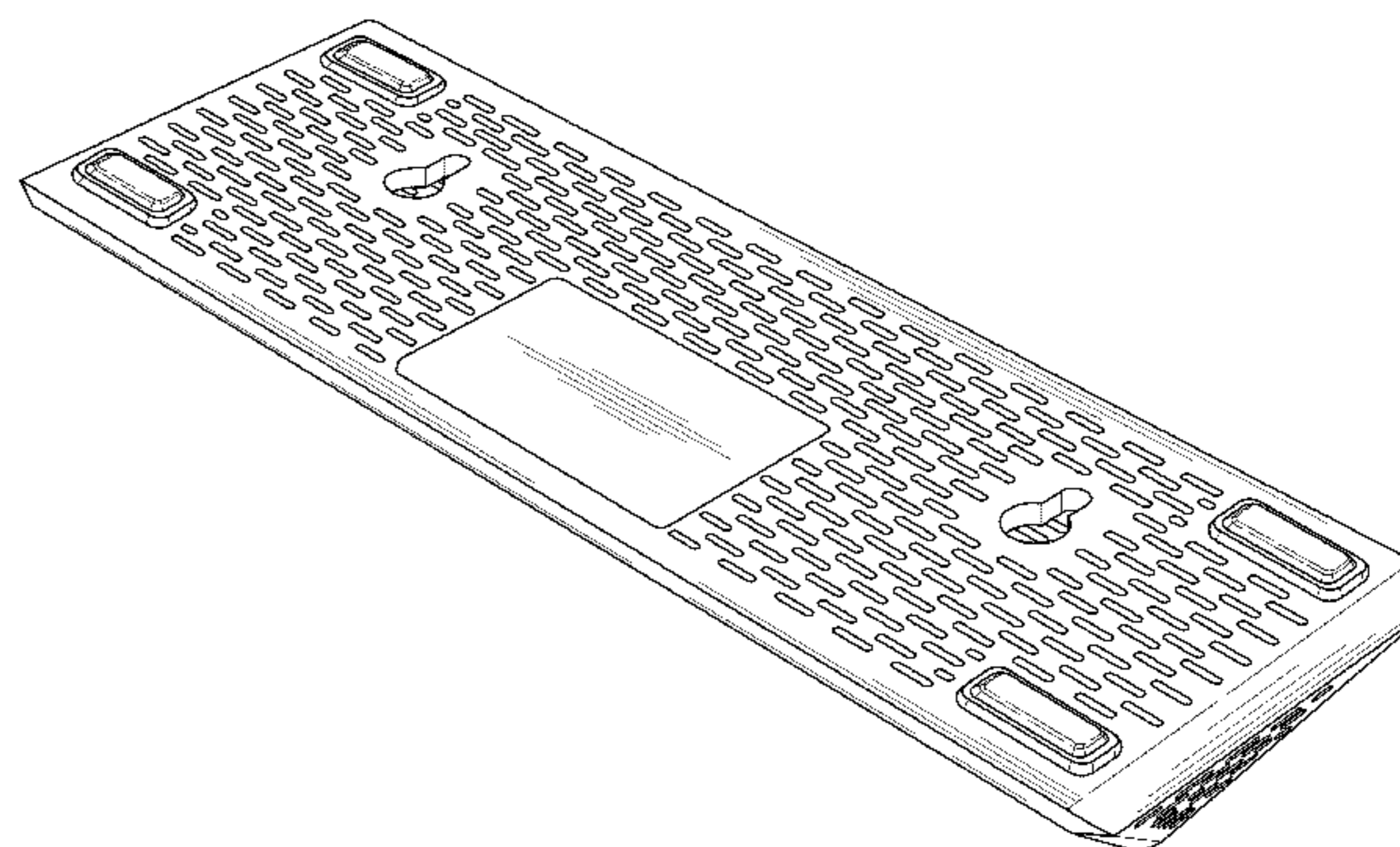
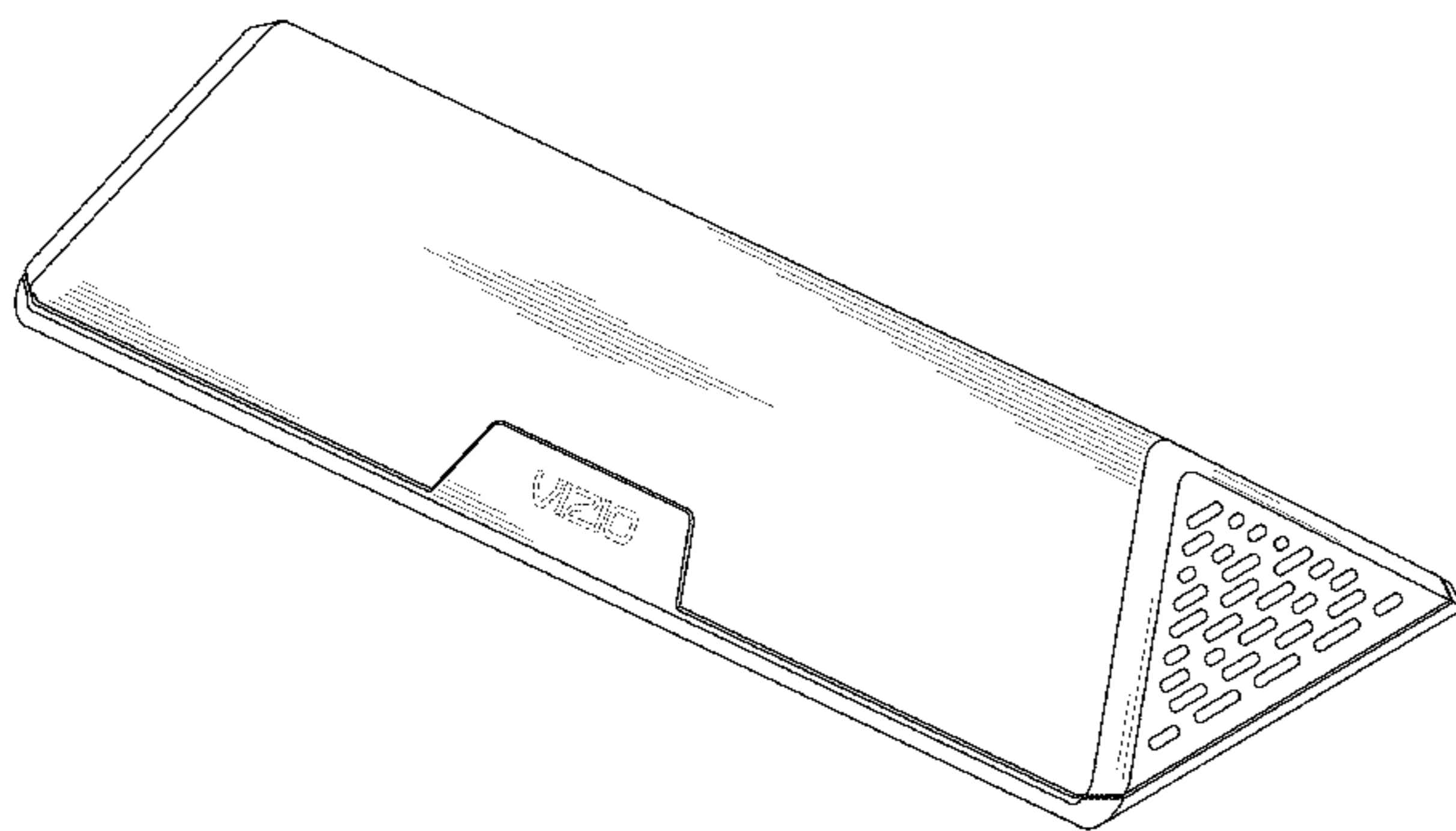
(57) **CLAIM**

We claim the ornamental design for a wireless HDMI receiver, as shown and described.

DESCRIPTION

FIG. 1 is a front perspective view of the wireless HDMI receiver, showing our new design;
FIG. 2 is a bottom perspective view thereof;
FIG. 3 is a front elevational view thereof;
FIG. 4 is a rear elevational view thereof;
FIG. 5 is a side elevational view thereof;
FIG. 6 is an opposing side elevational view thereof;
FIG. 7 is a top plan view thereof; and,
FIG. 8 is a bottom plan view thereof.

1 Claim, 6 Drawing Sheets



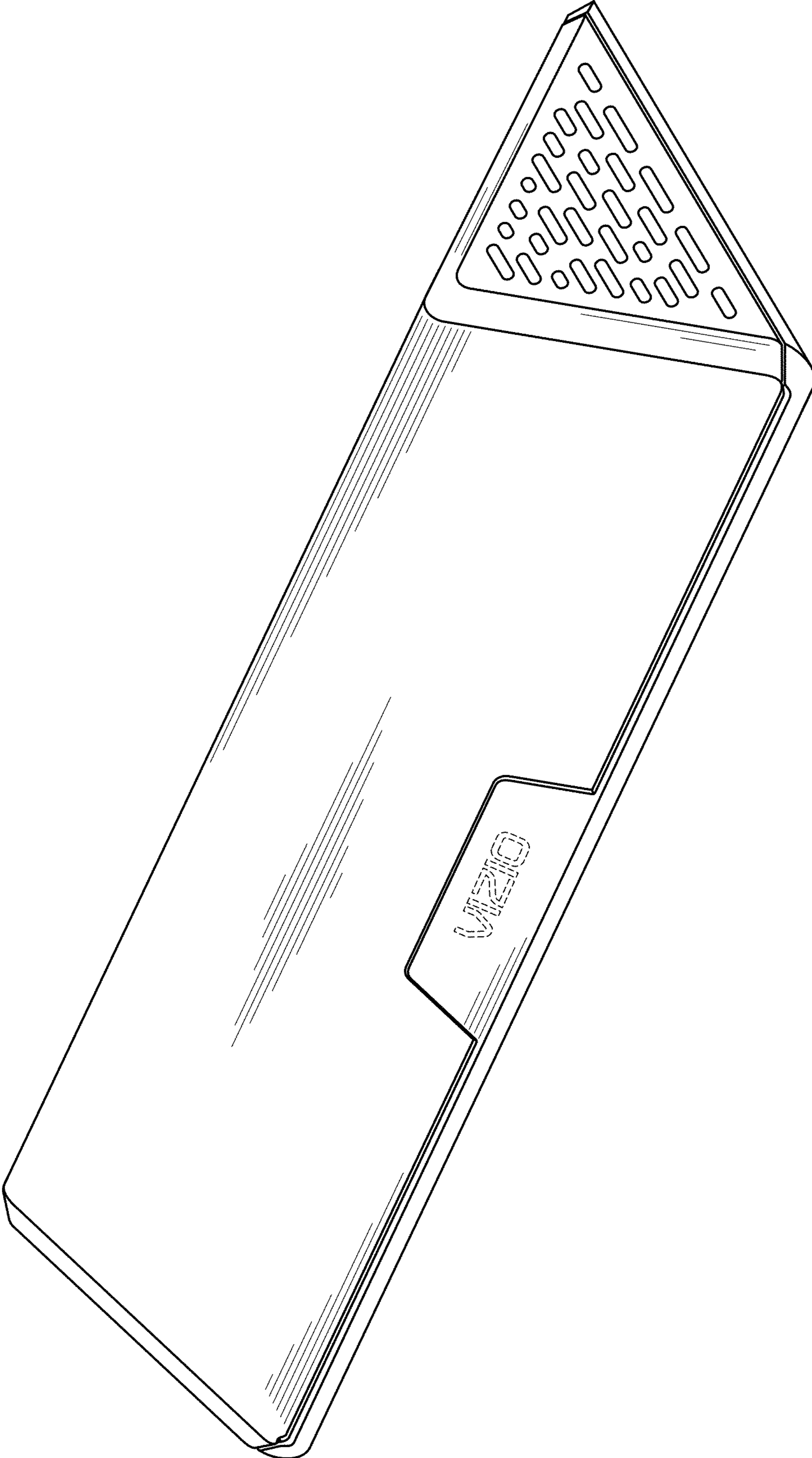


FIG. 1

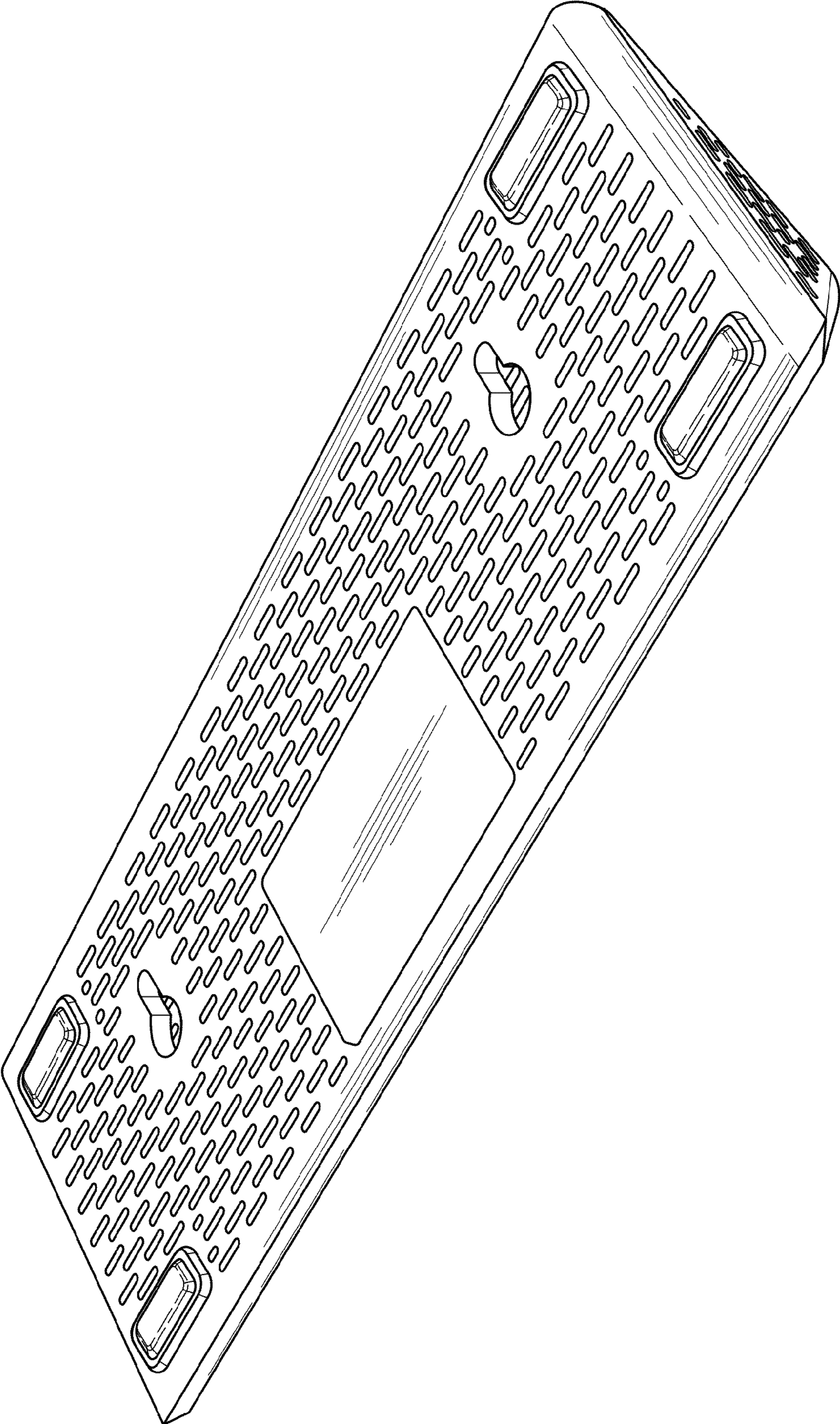


FIG. 2

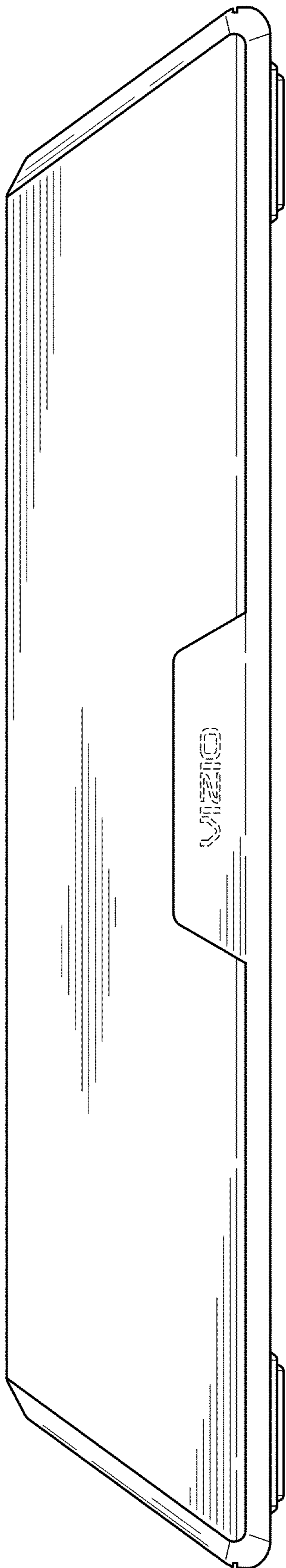


FIG. 3

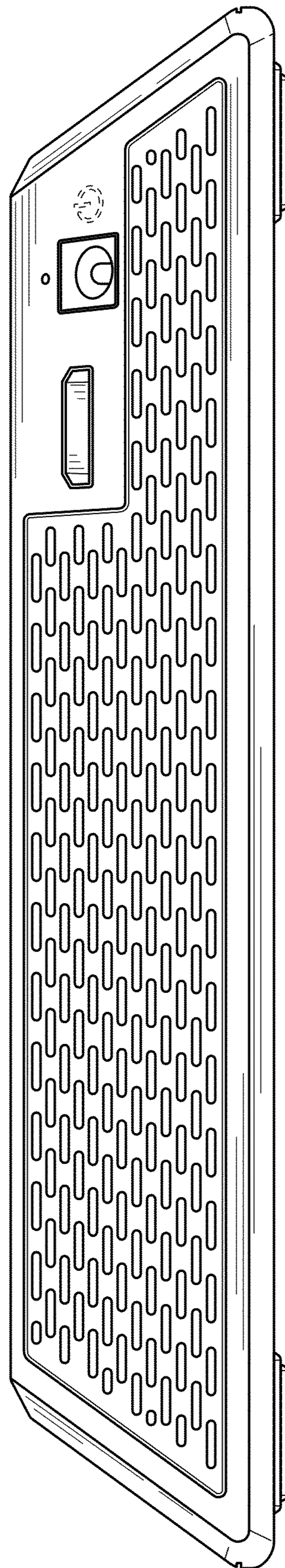


FIG. 4

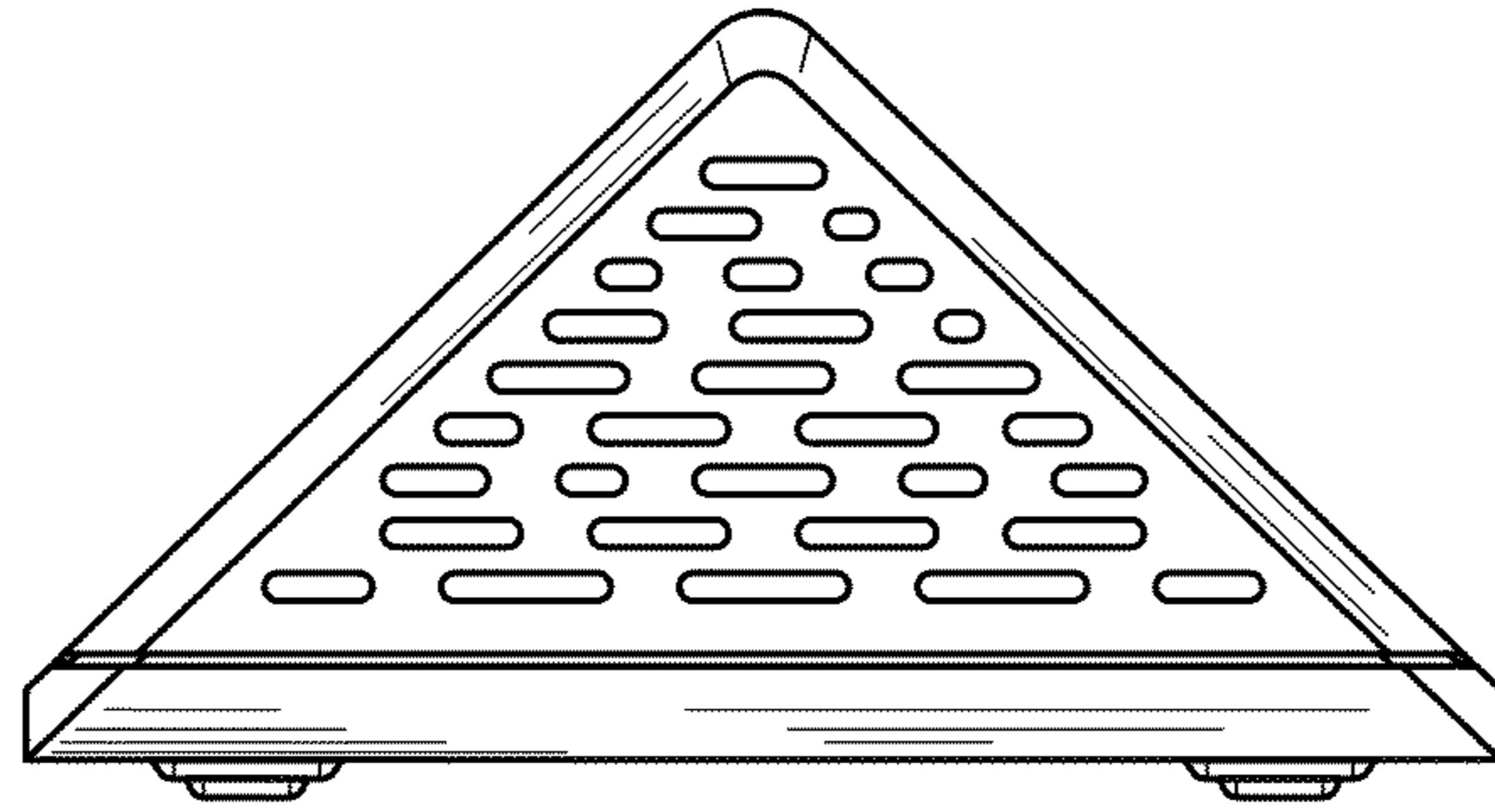


FIG. 5

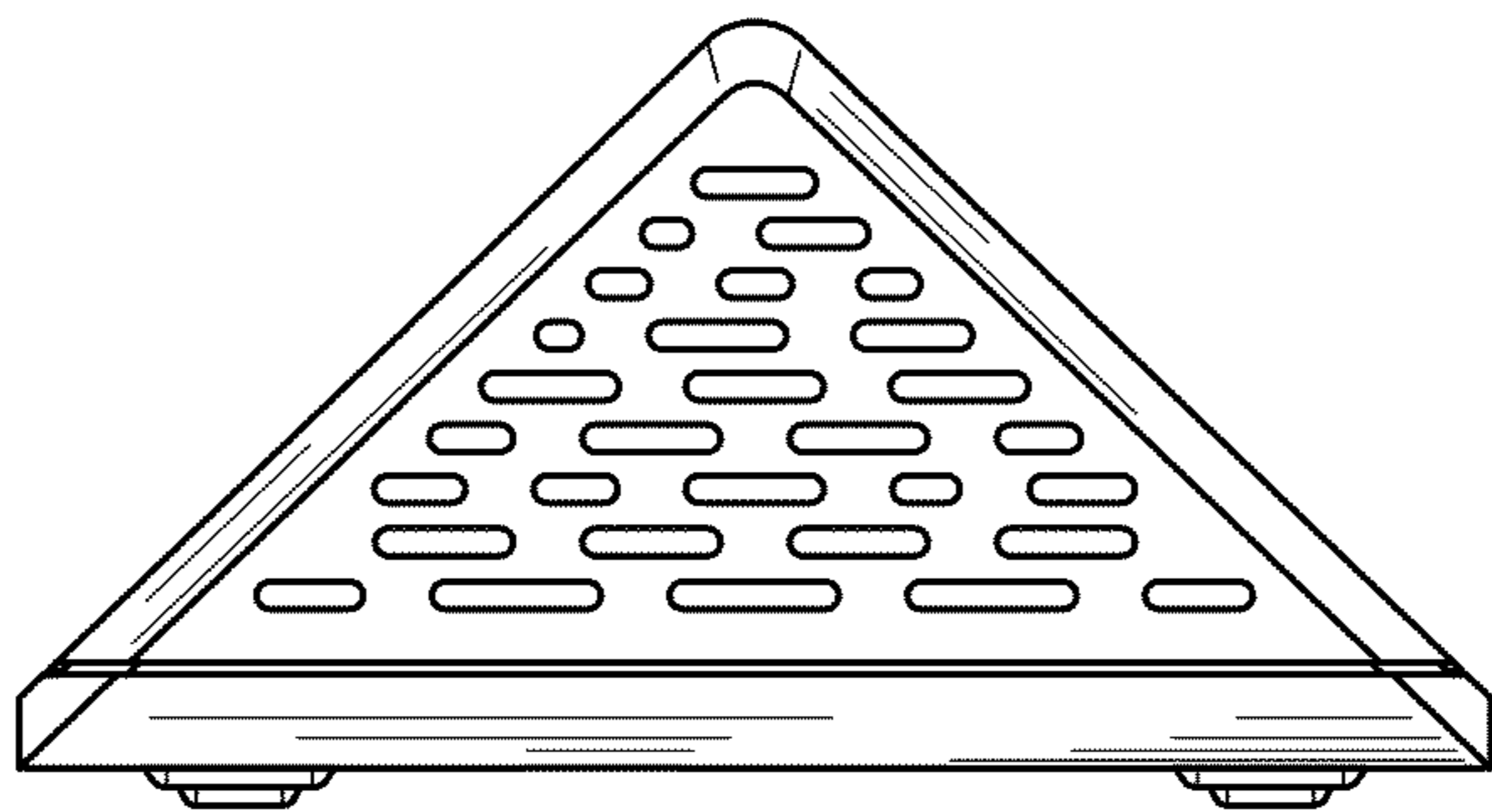


FIG. 6

5/6

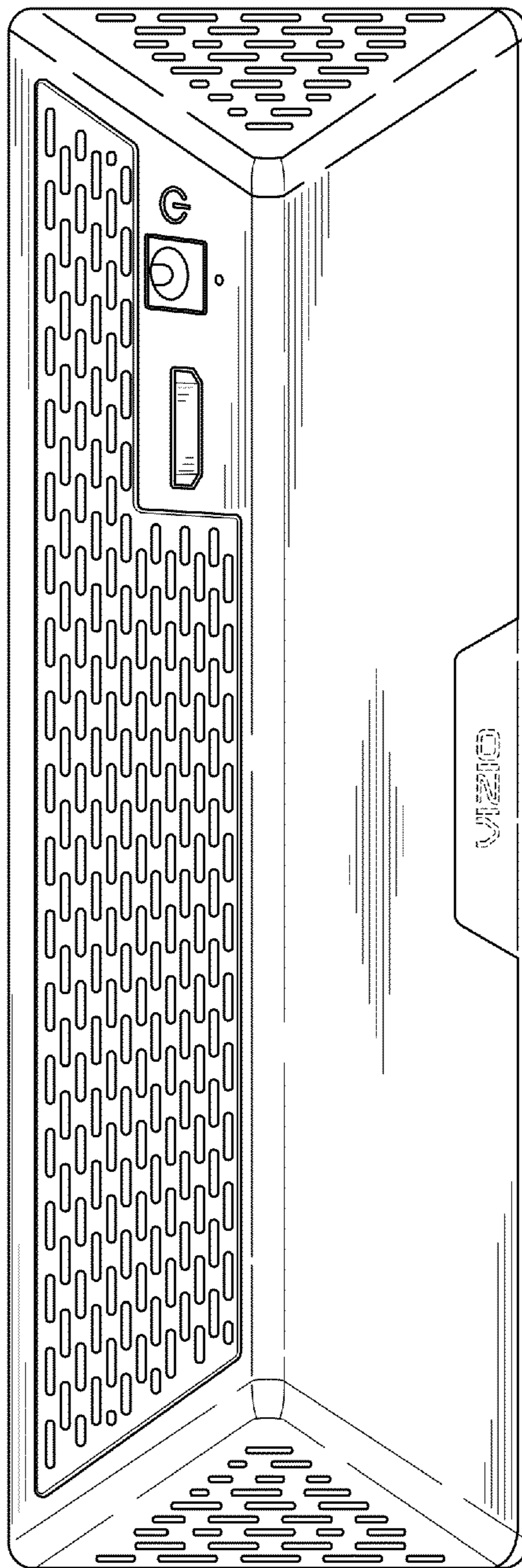


FIG. 7

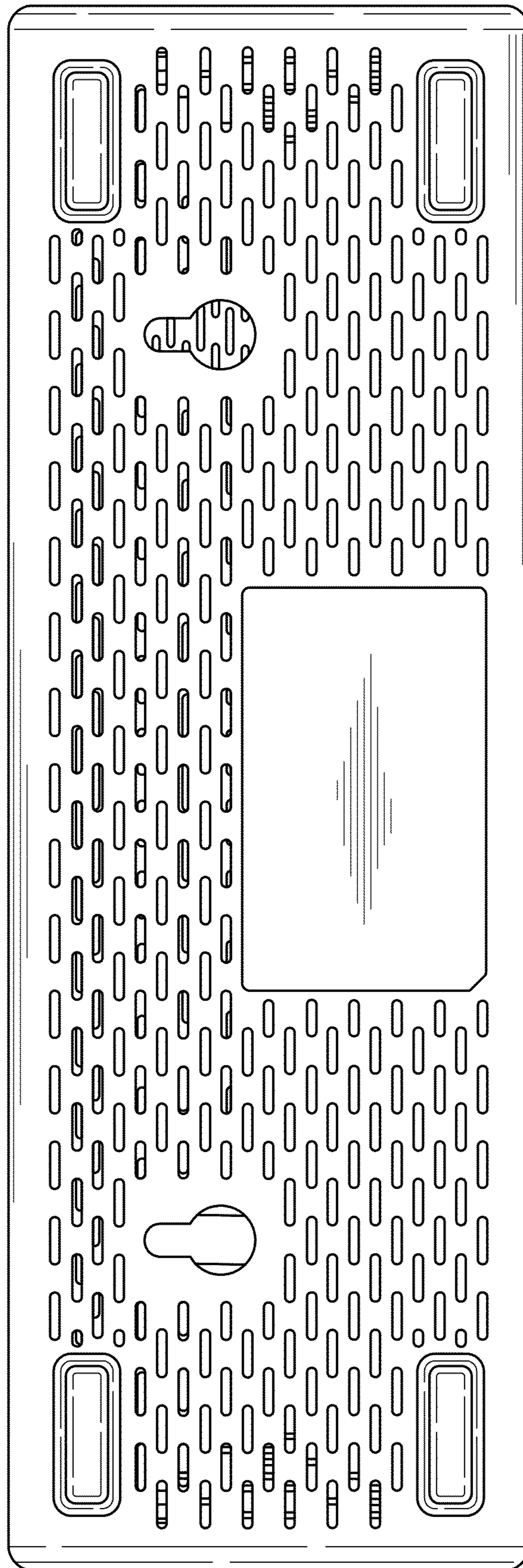


FIG. 8