



US00D687009S

(12) **United States Design Patent**
Song et al.

(10) **Patent No.:** **US D687,009 S**
(45) **Date of Patent:** **** Jul. 30, 2013**

(54) **BLUETOOTH DONGLE**

(75) Inventors: **Hang-Gil Song**, Seoul (KR);
Jung-Hyuck Im, Yongin-si (KR);
Min-Hyouk Lee, Seoul (KR)

(73) Assignee: **Samsung Electronics Co., Ltd.** (KR)

(**) Term: **14 Years**

(21) Appl. No.: **29/401,295**

(22) Filed: **Sep. 9, 2011**

(30) **Foreign Application Priority Data**

Jul. 26, 2011 (KR) 30-2011-0031143

(51) **LOC (9) Cl.** **14-03**

(52) **U.S. Cl.**
USPC **D14/155**

(58) **Field of Classification Search**
USPC D14/167, 154, 168, 188, 496, 156,
D14/160, 161, 162, 163, 164, 165, 158, 341,
D14/346, 342, 345, 155, 218, 225; D16/208;
D26/38; 455/351, 350, 575.1, 556.1; D10/104,
D10/106, 65, 57
See application file for complete search history.

(56) **References Cited**

U.S. PATENT DOCUMENTS

D331,060 S * 11/1992 Emmons et al. D14/218
D391,943 S * 3/1998 Han D14/356
D426,515 S * 6/2000 Buckle D13/103
D433,994 S * 11/2000 Jobs et al. D13/110
D442,168 S * 5/2001 Warner et al. D14/231
D464,630 S * 10/2002 Woodworth D13/171
D473,516 S * 4/2003 Gresham et al. D13/139.4

D494,633 S * 8/2004 Nussberger et al. D21/324
D507,078 S * 7/2005 Greenfield D28/82
7,128,213 B2 * 10/2006 Tung et al. 206/538
D537,072 S * 2/2007 Kim et al. D14/215
7,198,169 B2 * 4/2007 Silk 220/288
D577,009 S * 9/2008 Wilson et al. D14/225
D596,561 S * 7/2009 Chon et al. D13/108
D598,003 S * 8/2009 Park D14/149
D602,915 S * 10/2009 Song et al. D14/218
D612,832 S * 3/2010 Li et al. D14/150
D626,963 S * 11/2010 Kim D14/420
D656,130 S * 3/2012 Bailey D14/227
D671,096 S * 11/2012 Song et al. D14/223
D671,921 S * 12/2012 Beall et al. D14/230
D678,285 S * 3/2013 Chen D14/433
2005/0258066 A1 * 11/2005 Conley 206/538

* cited by examiner

Primary Examiner — Austin Murphy

(74) *Attorney, Agent, or Firm* — Cantor Colburn LLP

(57) **CLAIM**

The ornamental design for a bluetooth dongle, as shown and described.

DESCRIPTION

FIG. 1 is a perspective view of bluetooth dongle, showing our new design;
FIG. 2 is a front elevational view thereof;
FIG. 3 is a rear elevational view thereof;
FIG. 4 is a left side elevational view thereof;
FIG. 5 is a right side elevational view thereof;
FIG. 6 is a top plan view thereof;
FIG. 7 is a bottom plan view thereof;
FIG. 8 is an exploded perspective view thereof; and,
FIG. 9 is an exploded perspective view thereof, shown in an alternate position of use.

1 Claim, 9 Drawing Sheets

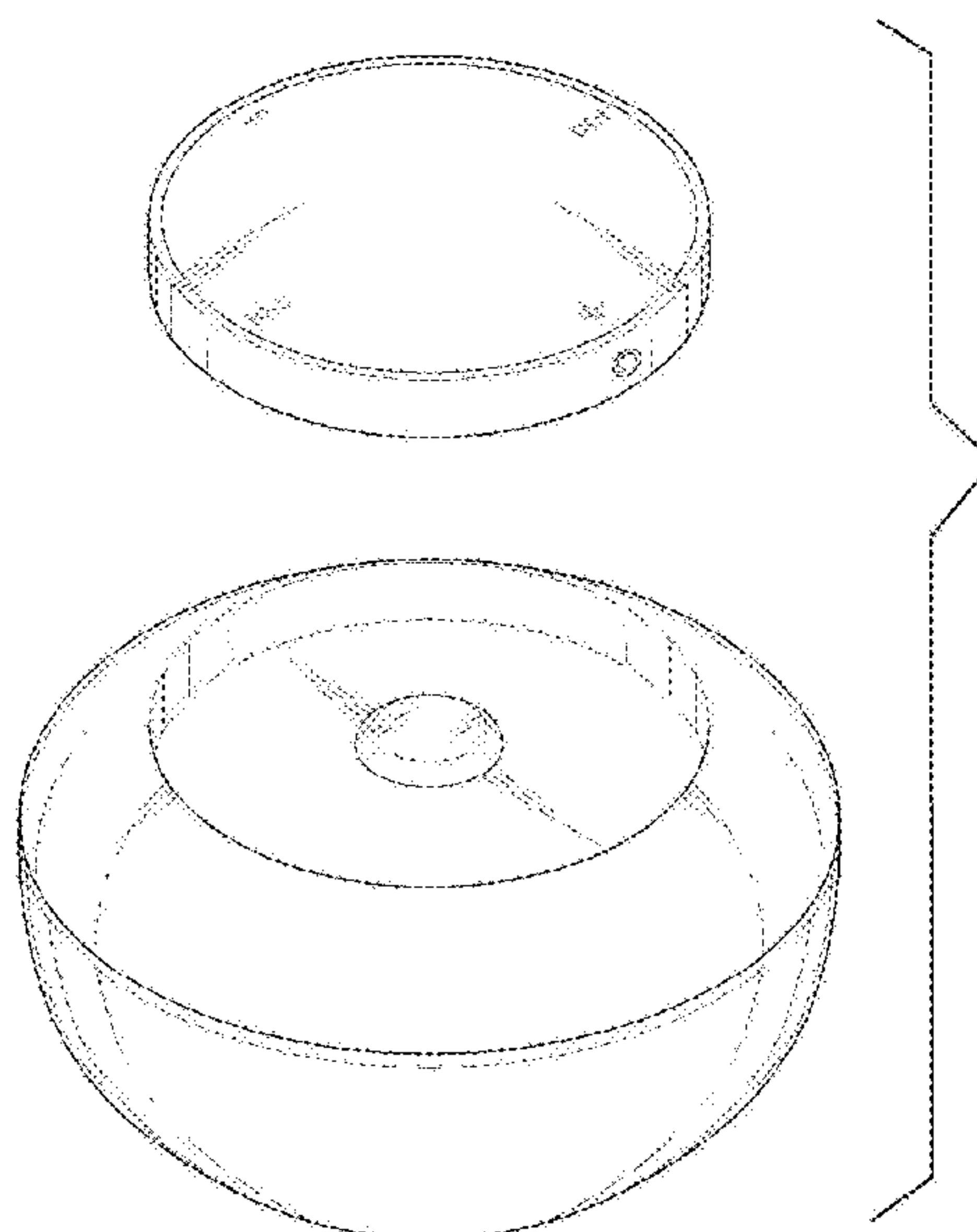


FIG. 1

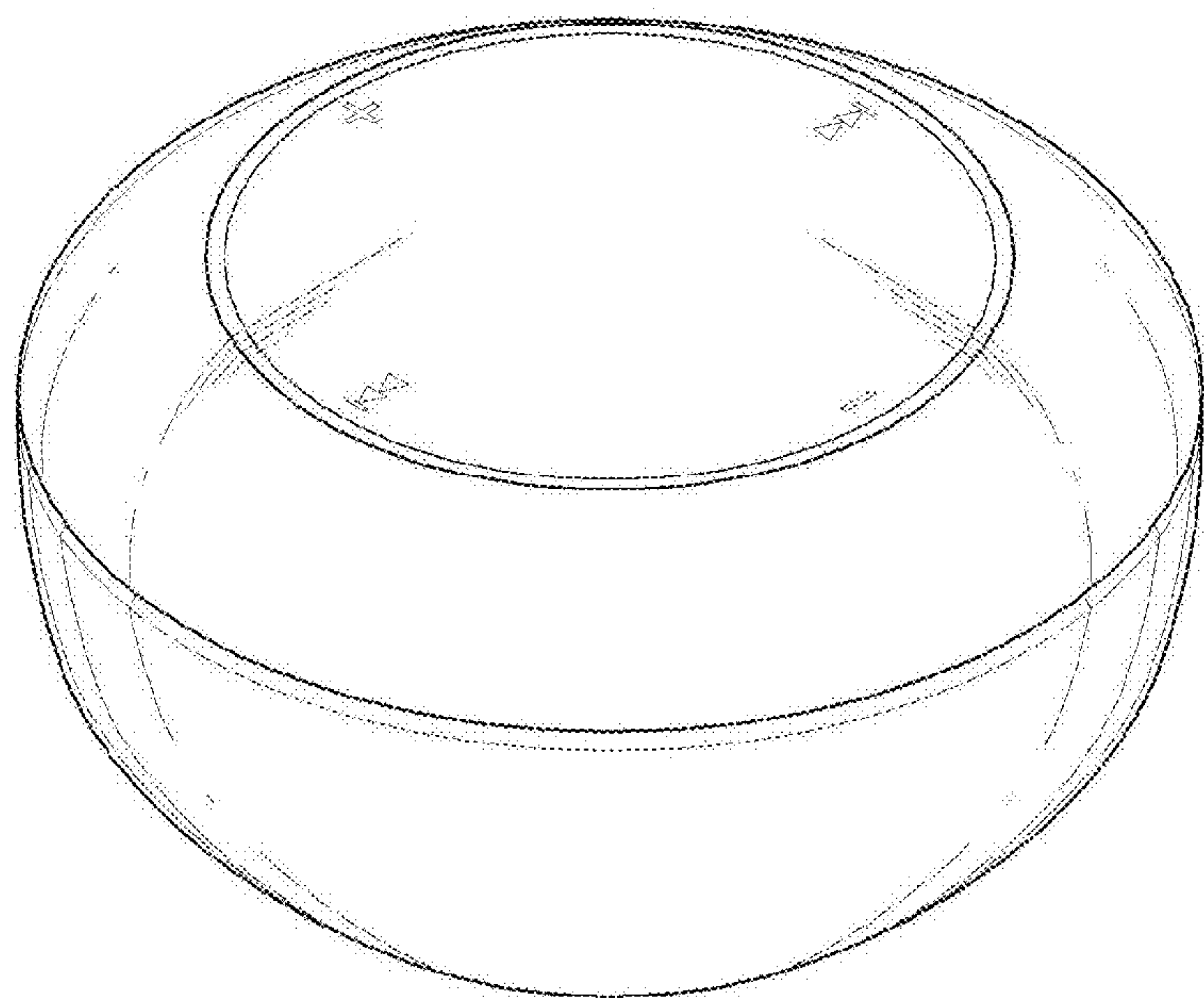


FIG. 2

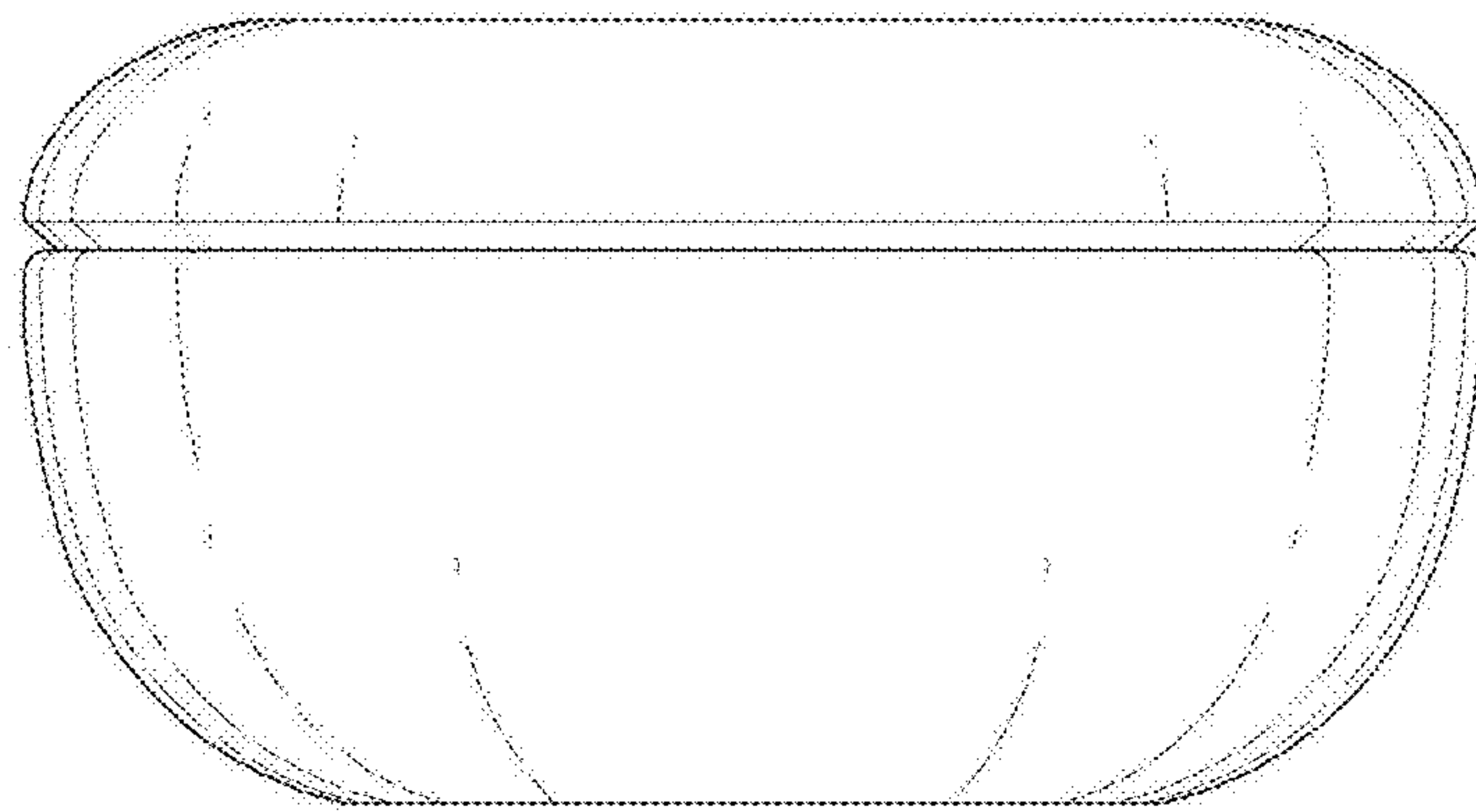


FIG. 3

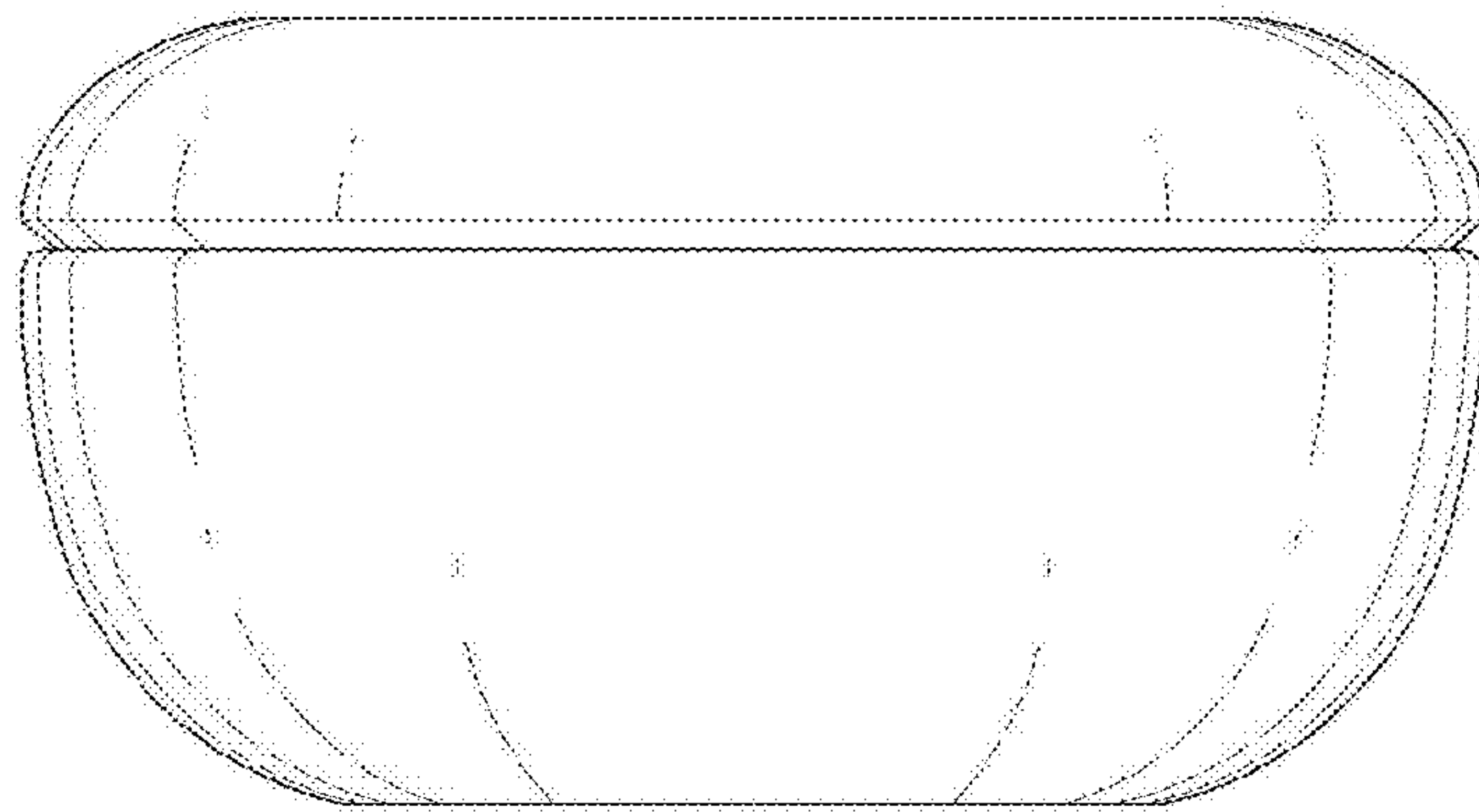


FIG. 4

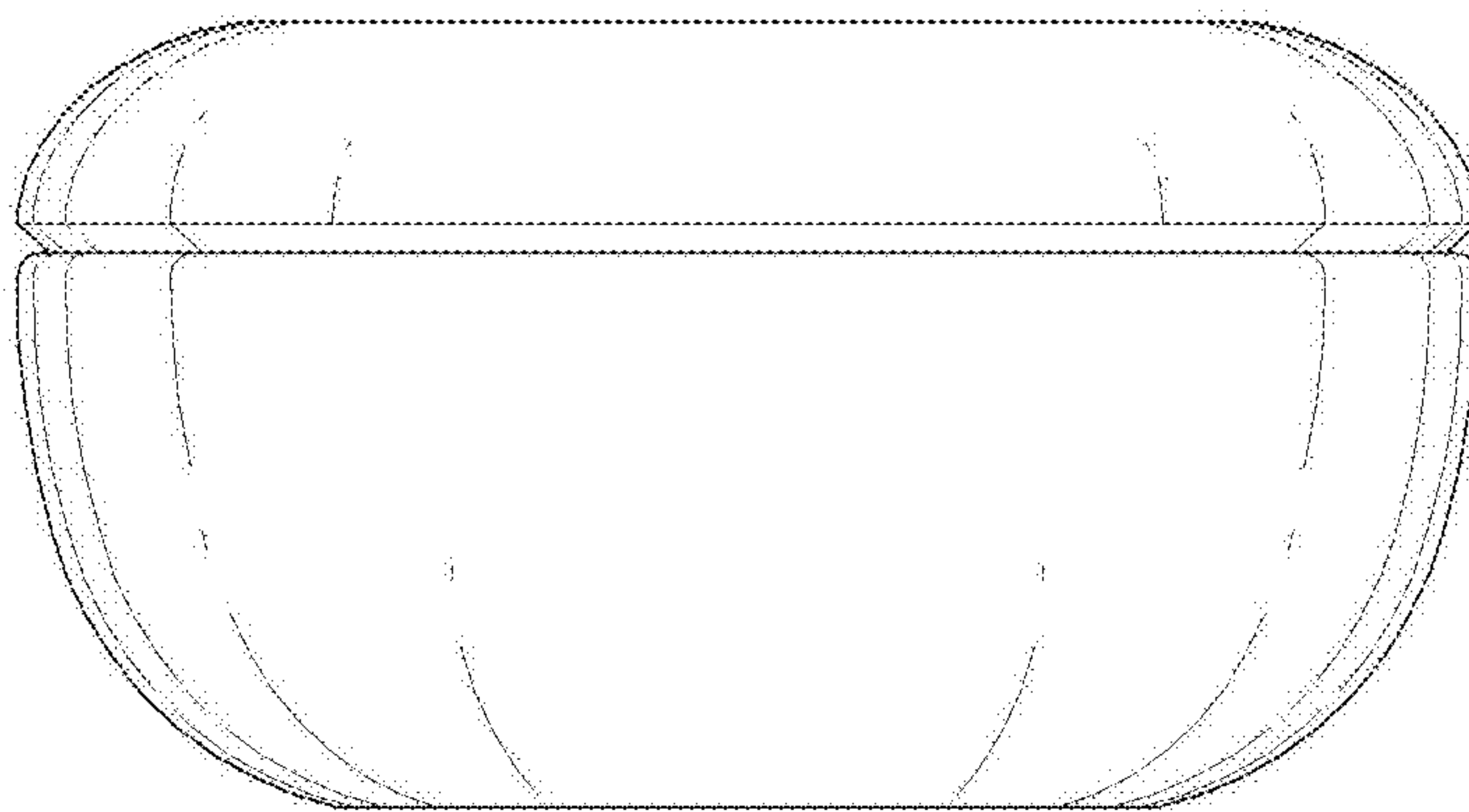


FIG. 5

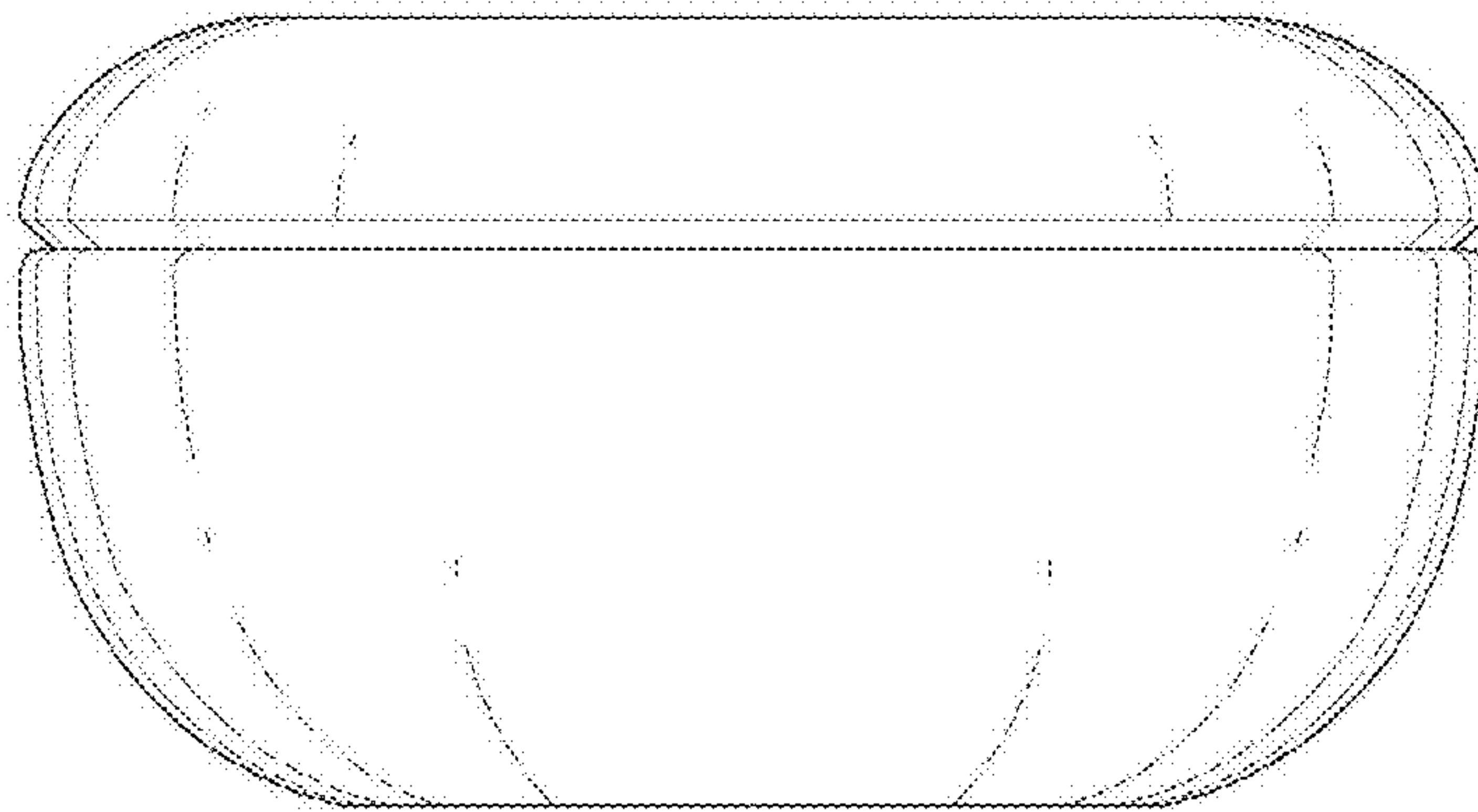


FIG. 6

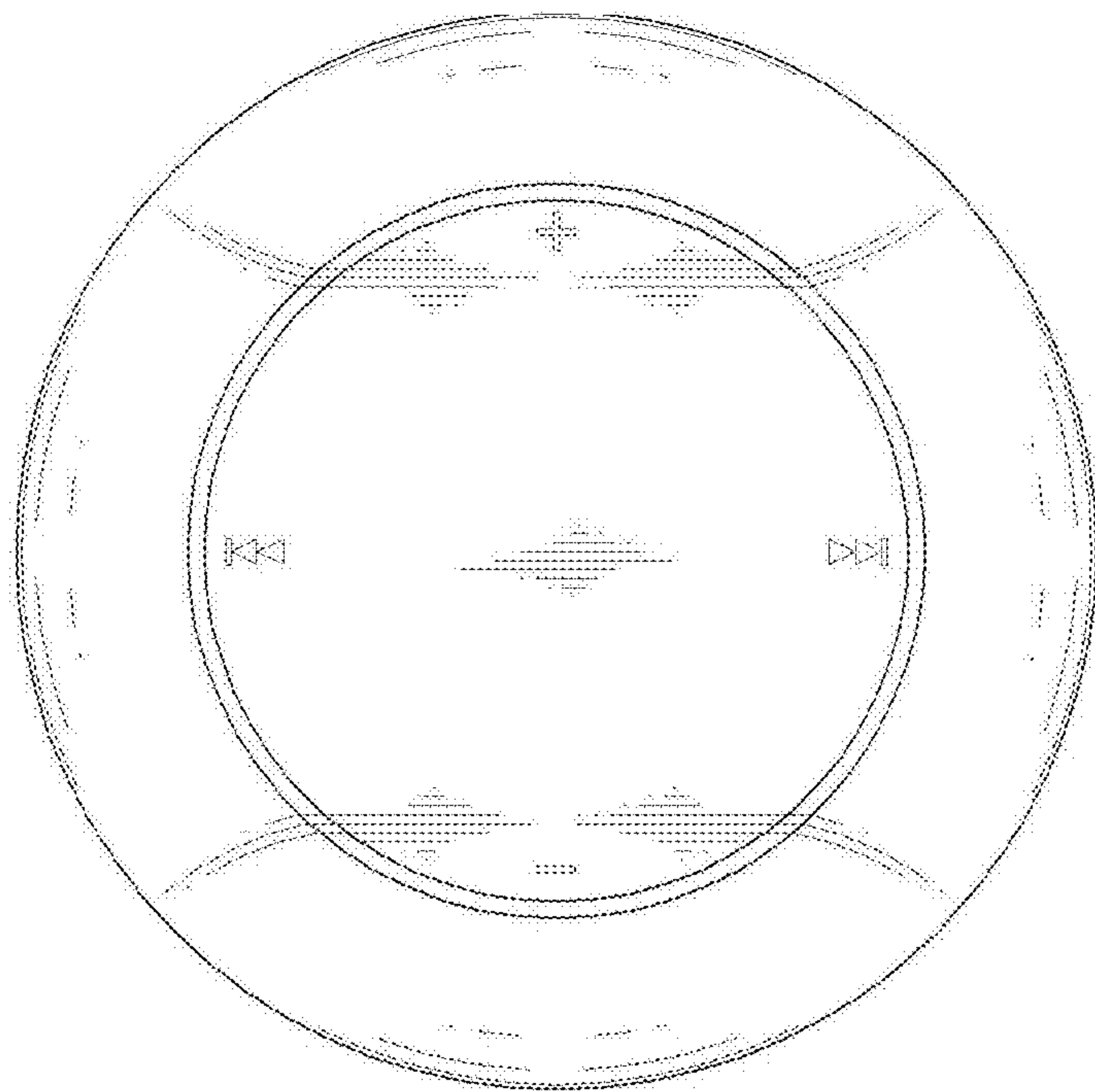


FIG. 7

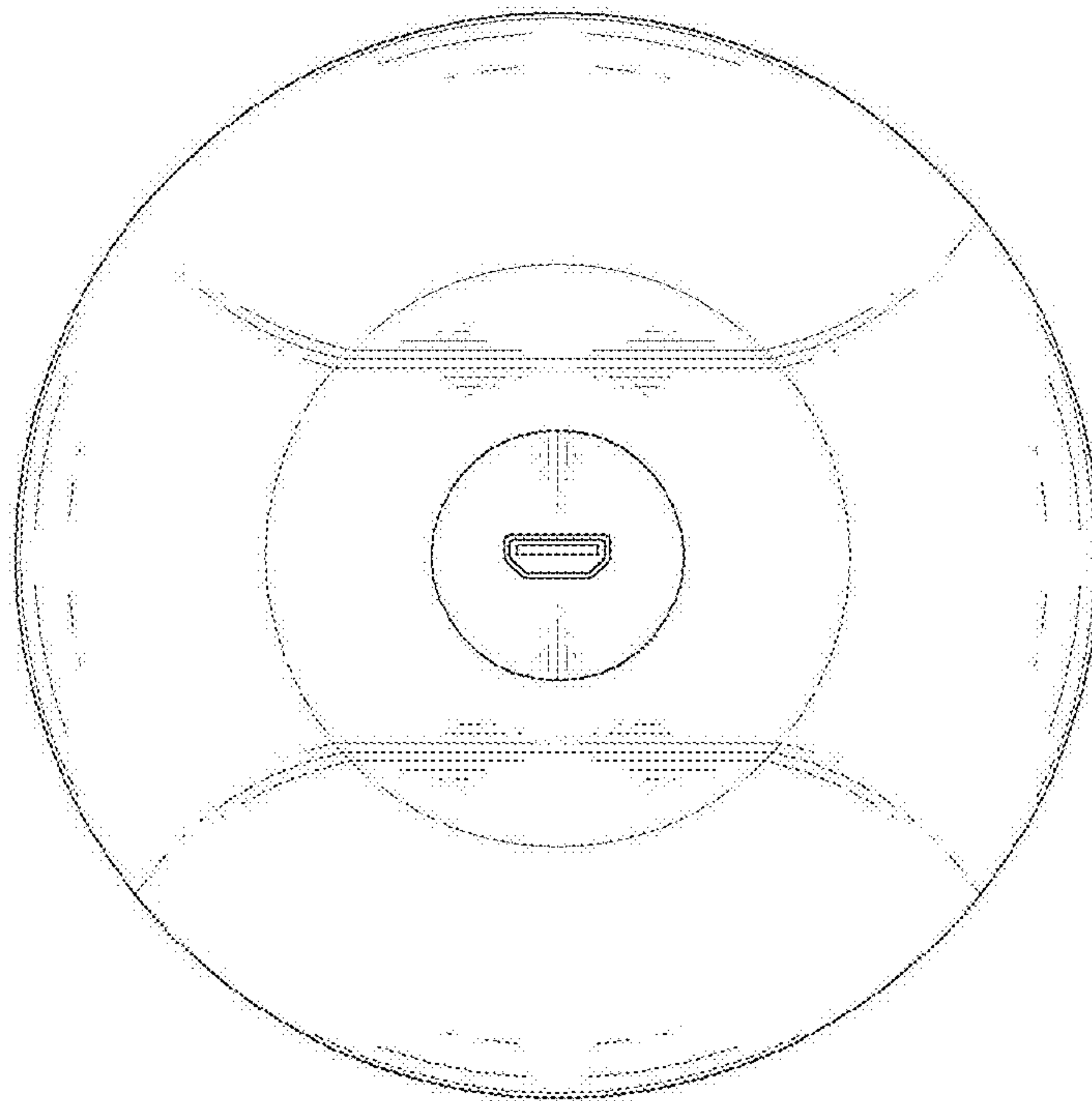


FIG. 8

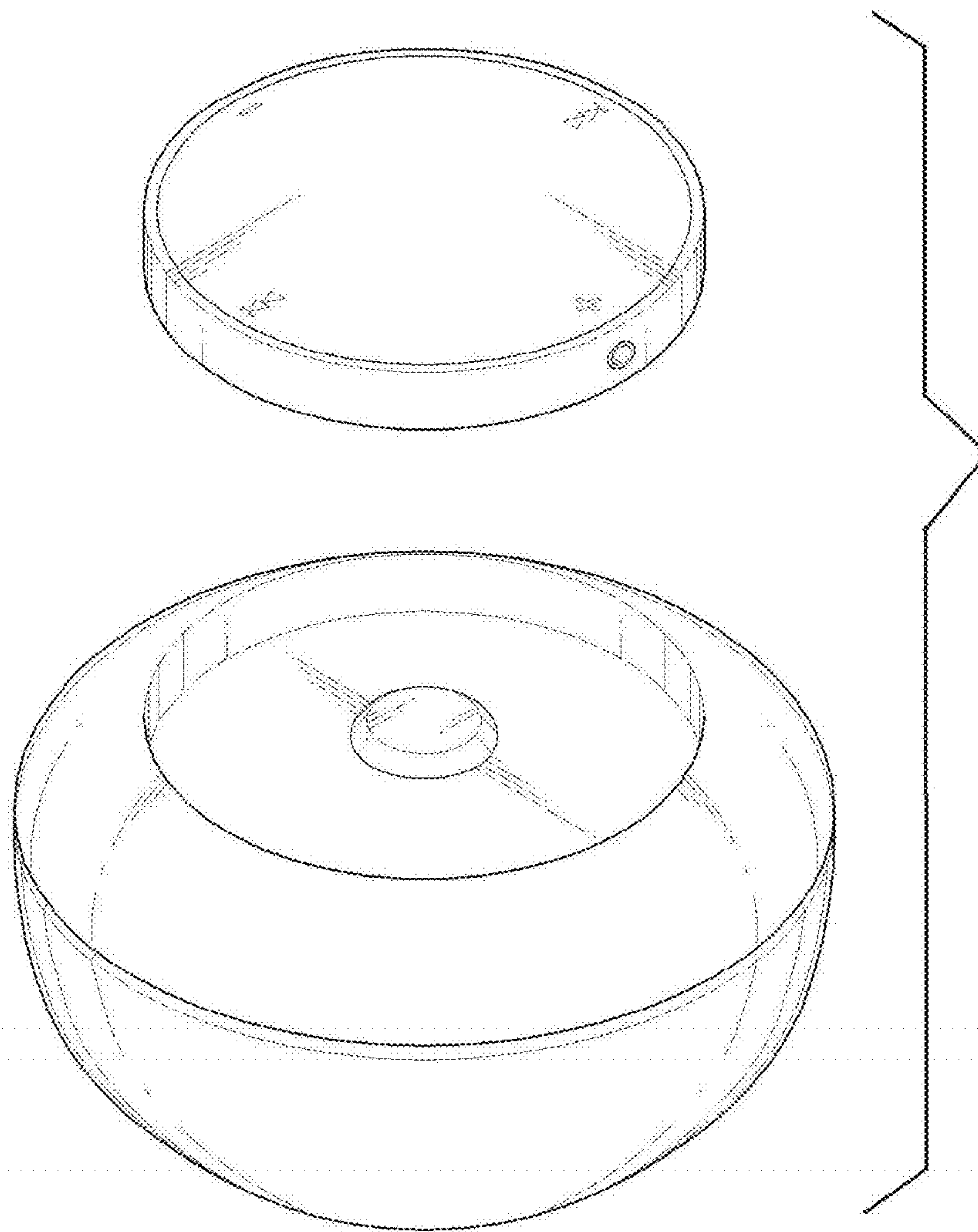


FIG. 9

