



US00D687006S

(12) **United States Design Patent**  
**Harmon et al.**

(10) **Patent No.:** **US D687,006 S**  
(45) **Date of Patent:** **\*\* Jul. 30, 2013**

(54) **COMMUNICATION DEVICE**

- (71) Applicant: **Motorola Mobility LLC**, Libertyville, IL (US)
- (72) Inventors: **Michael J Harmon**, Pompano Beach, FL (US); **Donald W Burnette**, Sunrise, FL (US); **Claudio Santiago Ribeiro**, Evanston, IL (US)
- (73) Assignee: **Motorola Mobility LLC**, Libertyville, IL (US)
- (\*\*) Term: **14 Years**
- (21) Appl. No.: **29/434,263**
- (22) Filed: **Oct. 11, 2012**
- (51) **LOC (9) Cl.** ..... **14-03**
- (52) **U.S. Cl.**  
USPC ..... **D14/138 AA**
- (58) **Field of Classification Search**  
USPC ..... D14/138 AA, 138 R, 496, 341, 345, D14/346, 203.1, 203.4, 203.7, 147, 248; D21/517; 455/575.1, 556.2, 556; 379/433.01, 379/433.04; 361/679.3, 679.56  
See application file for complete search history.

(56) **References Cited**

**U.S. PATENT DOCUMENTS**

D562,312 S \* 2/2008 Hu et al. .... D14/248  
(Continued)

**OTHER PUBLICATIONS**

Celkon C11 telephone, announced 2011, [online], [site visited Feb. 28, 2013]. Available from Internet, <URL: [http://www.gsmarena.com/celkon\\_c11-4518.php](http://www.gsmarena.com/celkon_c11-4518.php)>.\*

Pantech Link telephone, announced Mar. 2010, [online], [site visited Feb. 28, 2013]. Available from Internet, <URL: [http://www.gsmarena.com/pantech\\_link-4291.php](http://www.gsmarena.com/pantech_link-4291.php)>.\*

Huawei G6600 Passport telephone, announced Dec. 2009, [online], [site visited Feb. 28, 2013]. Available from Internet, <URL: [http://www.gsmarena.com/huawei\\_g6600\\_passport-2997.php](http://www.gsmarena.com/huawei_g6600_passport-2997.php)>.\*

(Continued)

Primary Examiner — Jeffrey D Asch

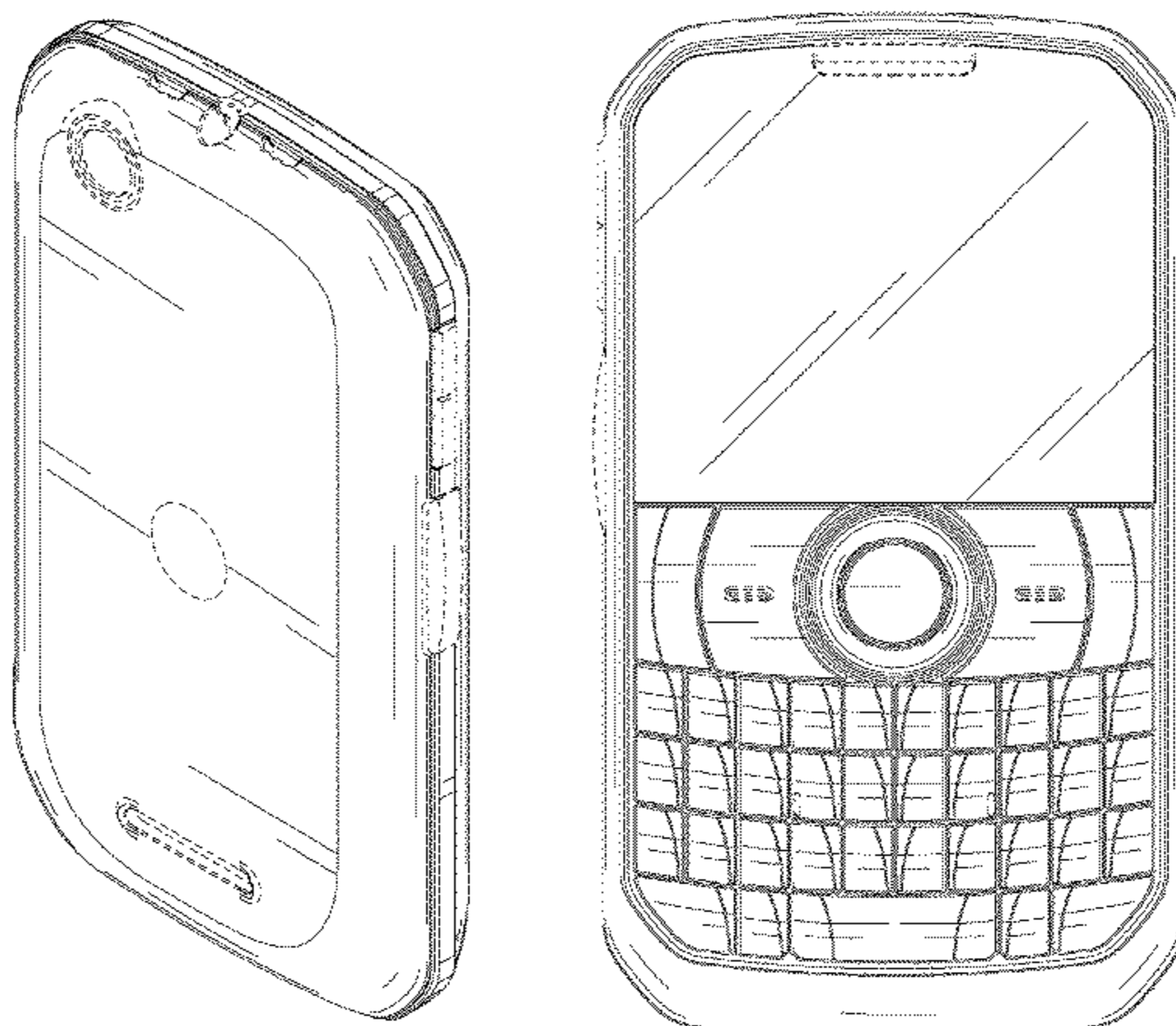
(57) **CLAIM**

The ornamental design for a communication device, as shown and described.

**DESCRIPTION**

FIG. 1 is a front perspective view of a first embodiment of an ornamental design for a communication device;  
 FIG. 2 is a rear perspective view of the first embodiment thereof;  
 FIG. 3 is a front view of the first embodiment thereof;  
 FIG. 4 is a rear view of the first embodiment thereof;  
 FIG. 5 is a first side view of the first embodiment thereof;  
 FIG. 6 is a second side view of the first embodiment thereof;  
 FIG. 7 is a top view of the first embodiment thereof; and  
 FIG. 8 is a bottom view of the first embodiment thereof.  
 FIG. 9 is a front perspective view of a second embodiment of an ornamental design for a communication device;  
 FIG. 10 is a rear perspective view of the second embodiment thereof;  
 FIG. 11 is a front view of the second embodiment thereof;  
 FIG. 12 is a rear view of the second embodiment thereof;  
 FIG. 13 is a first side view of the second embodiment thereof;  
 FIG. 14 is a second side view of the second embodiment thereof;  
 FIG. 15 is a top view of the second embodiment thereof; and  
 FIG. 16 is a bottom view of the second embodiment thereof.  
 FIG. 17 is a front perspective view of a third embodiment of an ornamental design for a communication device;  
 FIG. 18 is a rear perspective view of the third embodiment thereof;  
 FIG. 19 is a front view of the third embodiment thereof;  
 FIG. 20 is a rear view of the third embodiment thereof;  
 FIG. 21 is a first side view of the third embodiment thereof;  
 FIG. 22 is a second side view of the third embodiment thereof;  
 FIG. 23 is a top view of the third embodiment thereof; and  
 FIG. 24 is a bottom view of the third embodiment thereof.  
 The broken lines shown in FIGS. 1-8, that are immediately adjacent to the shaded areas, and define unshaded regions, represent the bounds of the first embodiment, while all other broken lines are directed to environment and are for illustrative purposes only; the broken lines form no part of the first embodiment.

**1 Claim, 18 Drawing Sheets**



U.S. PATENT DOCUMENTS

D582,372	S	*	12/2008	Lee et al. ....	D14/138 AA
D591,742	S	*	5/2009	Hofer et al. ....	D14/346
D600,229	S	*	9/2009	Kangasmaa .....	D14/138 AA
D607,866	S	*	1/2010	Kim et al. ....	D14/138 AA
D608,328	S	*	1/2010	Nilsen et al. ....	D14/138 AA
D608,750	S	*	1/2010	He et al. ....	D14/138 AA
D612,376	S	*	3/2010	Cebe .....	D14/346
D614,159	S	*	4/2010	Lee et al. ....	D14/138 AA
D615,953	S	*	5/2010	Lee et al. ....	D14/138 AA
D622,247	S	*	8/2010	Kwon et al. ....	D14/138 AA
D622,251	S	*	8/2010	Kim et al. ....	D14/138 AA
D623,163	S	*	9/2010	Choi et al. ....	D14/138 AA
D630,200	S	*	1/2011	Ruohonen et al. ....	D14/248
D632,274	S	*	2/2011	Nilsen et al. ....	D14/138 AA
D637,577	S	*	5/2011	Han et al. ....	D14/138 AA
D637,991	S		5/2011	Hu	
D642,153	S	*	7/2011	Nilsen et al. ....	D14/138 AA
D643,395	S	*	8/2011	Moss .....	D14/138 AA
D643,396	S	*	8/2011	Hou .....	D14/138 AA
D647,870	S	*	11/2011	Lee .....	D14/138 AA
D648,302	S	*	11/2011	Park et al. ....	D14/138 AA
D654,043	S		2/2012	Pan et al.	
D658,619	S	*	5/2012	Cai .....	D14/138 AA
D658,625	S		5/2012	Paradise et al.	
D660,263	S	*	5/2012	Hofer et al. ....	D14/138 AA
D661,278	S	*	6/2012	Wang .....	D14/138 AA
D663,283	S	*	7/2012	Calo et al. ....	D14/138 AA
D664,942	S		8/2012	Boucquey et al.	

OTHER PUBLICATIONS

Nokia 702T telephone, announced Jun. 2011, [online], [site visited Feb. 28, 2013]. Available from Internet, <URL: [http://www.gsmarena.com/nokia\\_702t-4020.php](http://www.gsmarena.com/nokia_702t-4020.php)>.\*

Samsung i225 Exec telephone, announced Apr. 2010, [online], [site visited Feb. 28, 2013]. Available from Internet, <URL: [http://www.gsmarena.com/samsung\\_i225\\_exec-3436.php](http://www.gsmarena.com/samsung_i225_exec-3436.php)>.\*

Motorola Motokey 3-Chip EX117 telephone, announced May 2012, [online], [site visited Feb. 28, 2013]. Available from Internet, <URL: [http://www.gsmarena.com/motorola\\_motokey\\_3\\_chip\\_ex117-4796.php](http://www.gsmarena.com/motorola_motokey_3_chip_ex117-4796.php)>.\*

Motorola Motokey Mini EX108 telephone, announced Jun. 2011, [online], [site visited Feb. 28, 2013]. Available from Internet, <URL: [http://www.gsmarena.com/motorola\\_motokey\\_mini\\_ex108-4062.php](http://www.gsmarena.com/motorola_motokey_mini_ex108-4062.php)>.\*

Motorola Clutch + i475, posted May 25<sup>th</sup> 2011 [online], [site visited Mar. 9, 2013]. Available from Internet, <URL: <http://www.letsgodigital.org/en/29346/motorola-clutch-i475/>>.\*

Cheol Woo Park, "Communication Device", Apr. 11, 2012, U.S. Appl. No. 29/417,970.

Hai-Bo Luo, "Communication Device", Jul. 11, 2012, U.S. Appl. No. 29/426,828.

Cheol Woo Park, "Communication Device", Aug. 14, 2012, U.S. Appl. No. 29/429,601.

\* cited by examiner

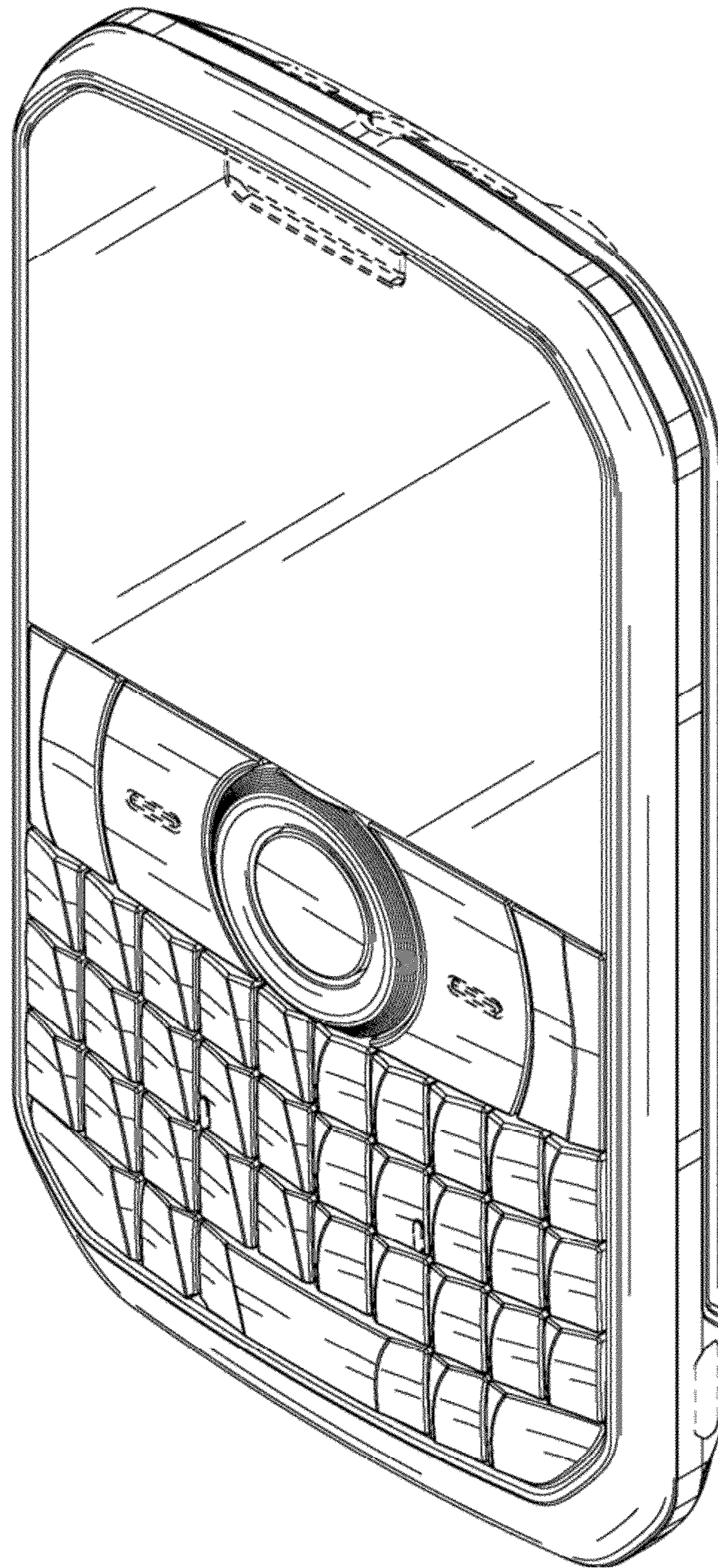


FIG. 1

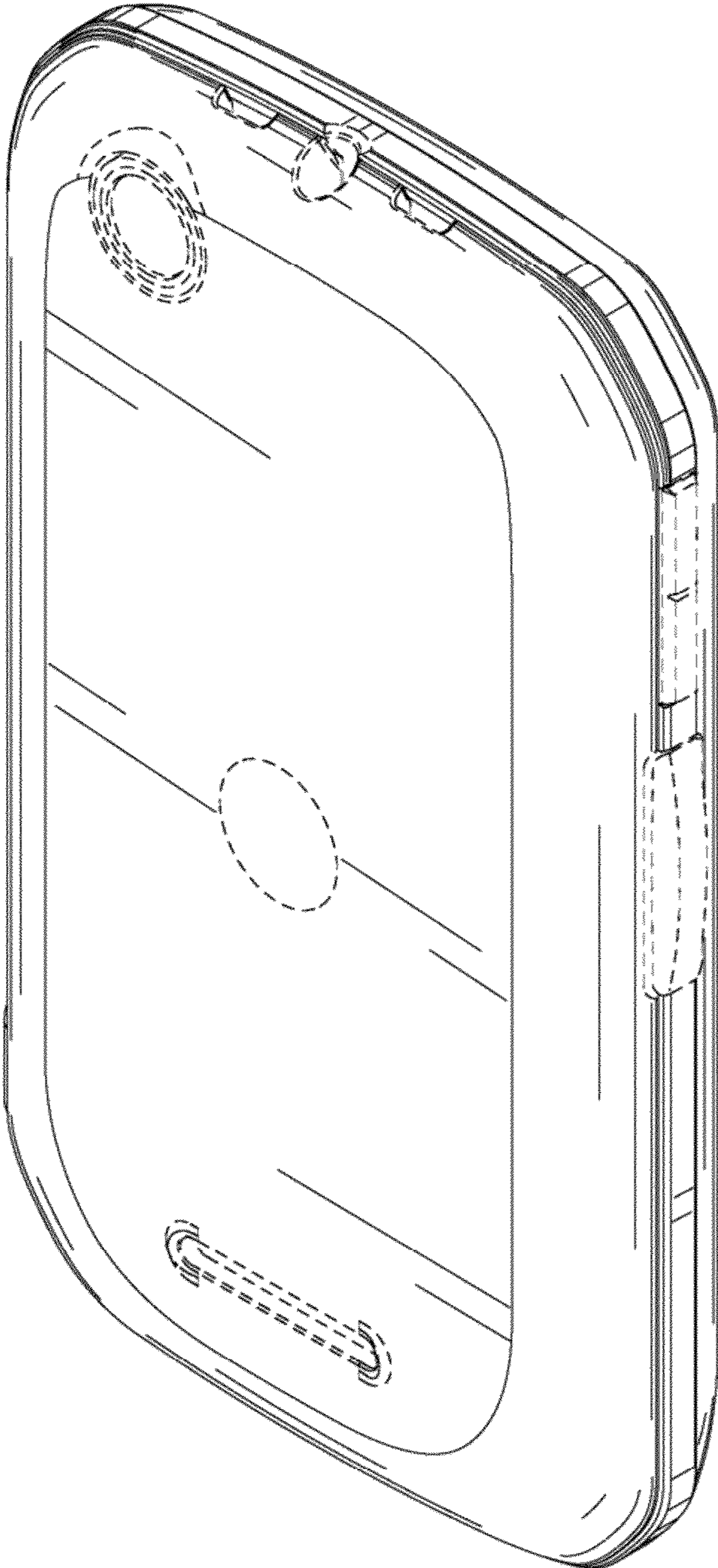


FIG. 2

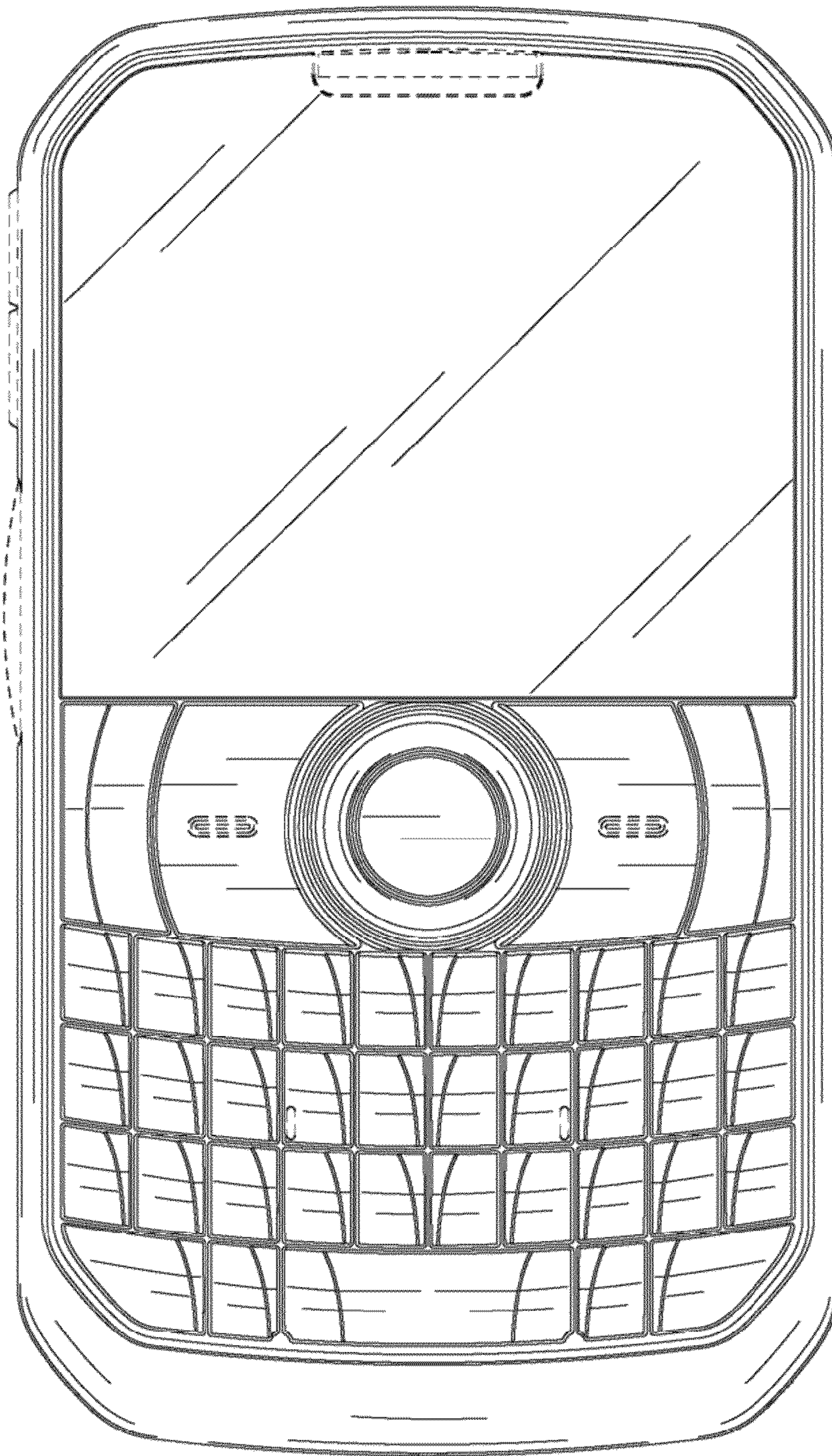


FIG. 3

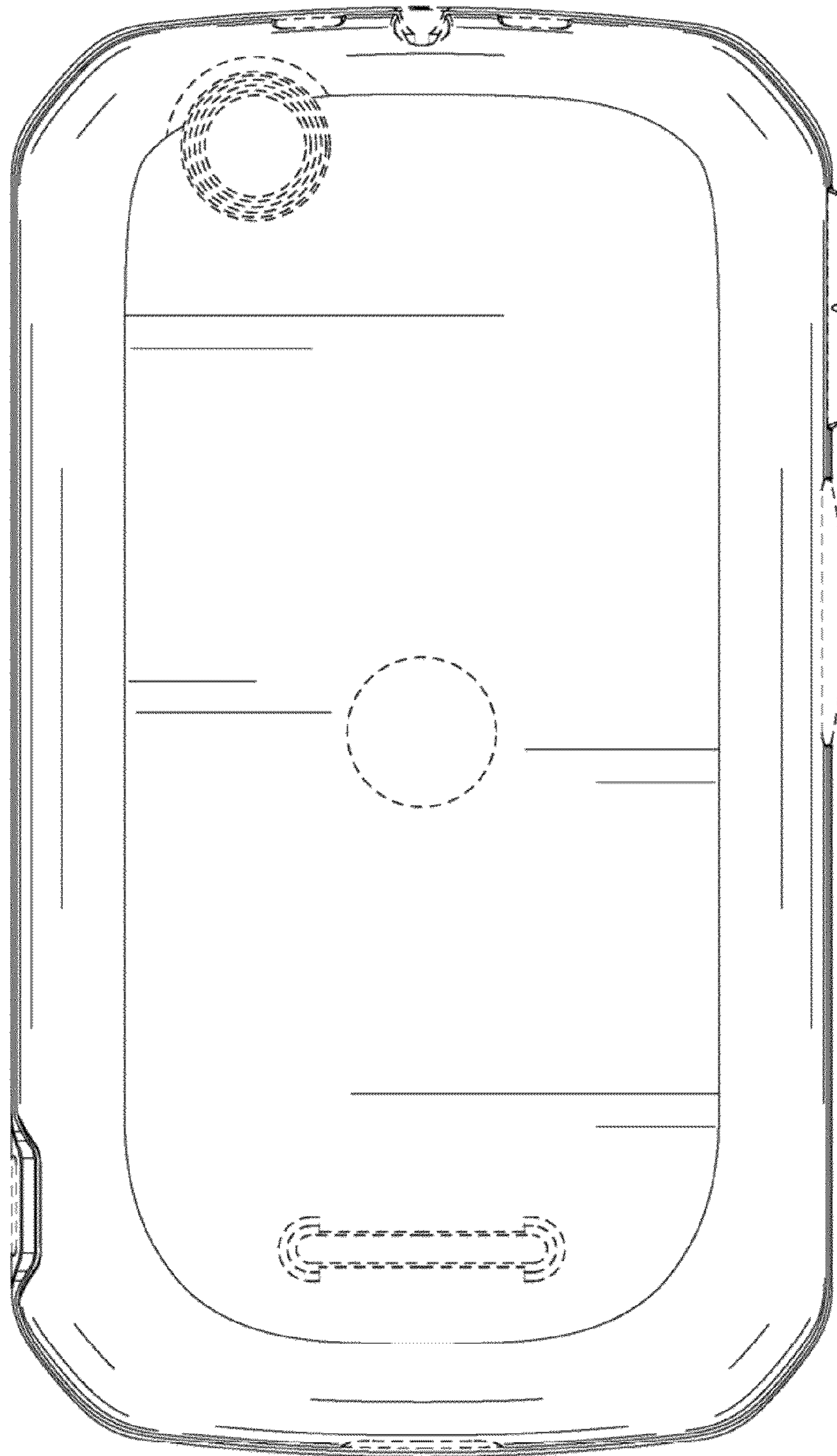


FIG. 4

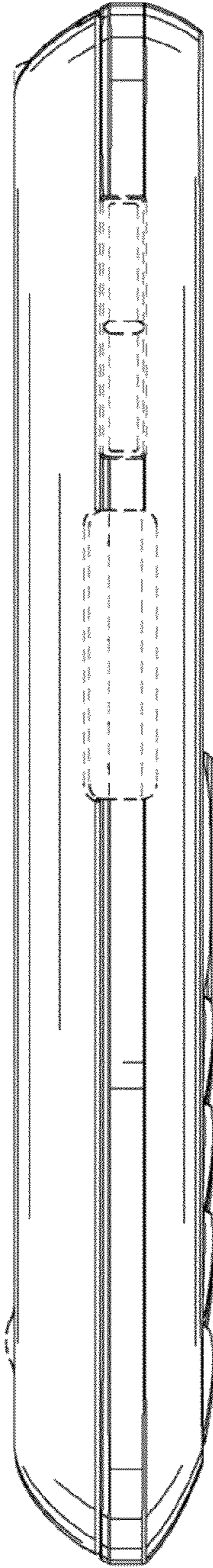


FIG. 5

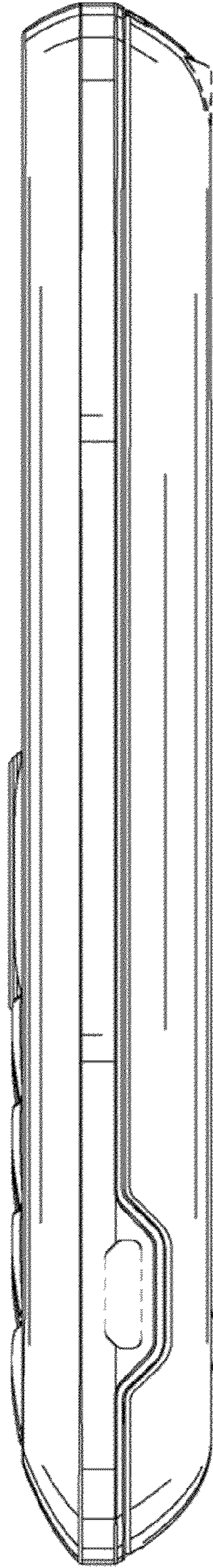


FIG. 6

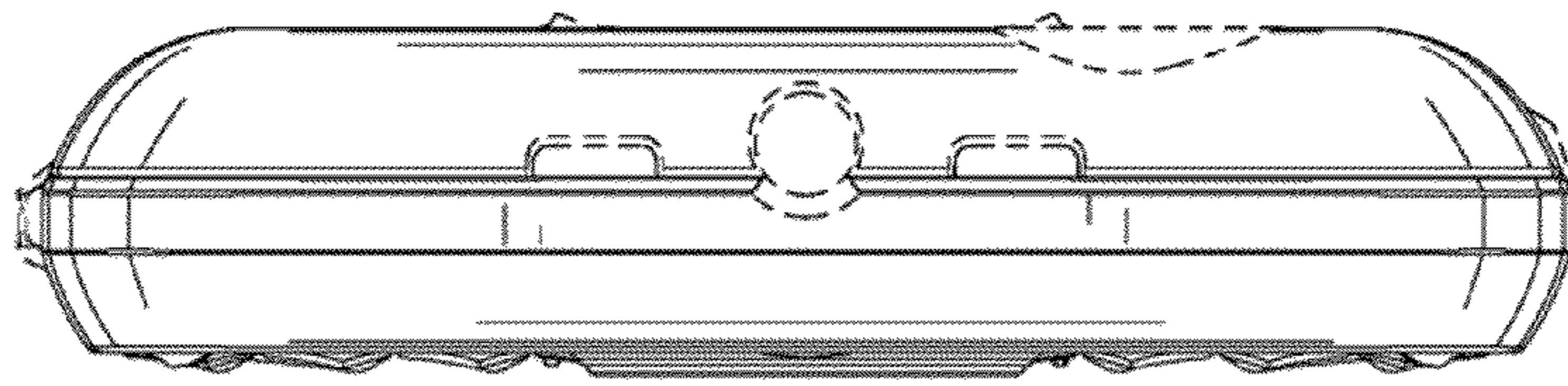


FIG. 7

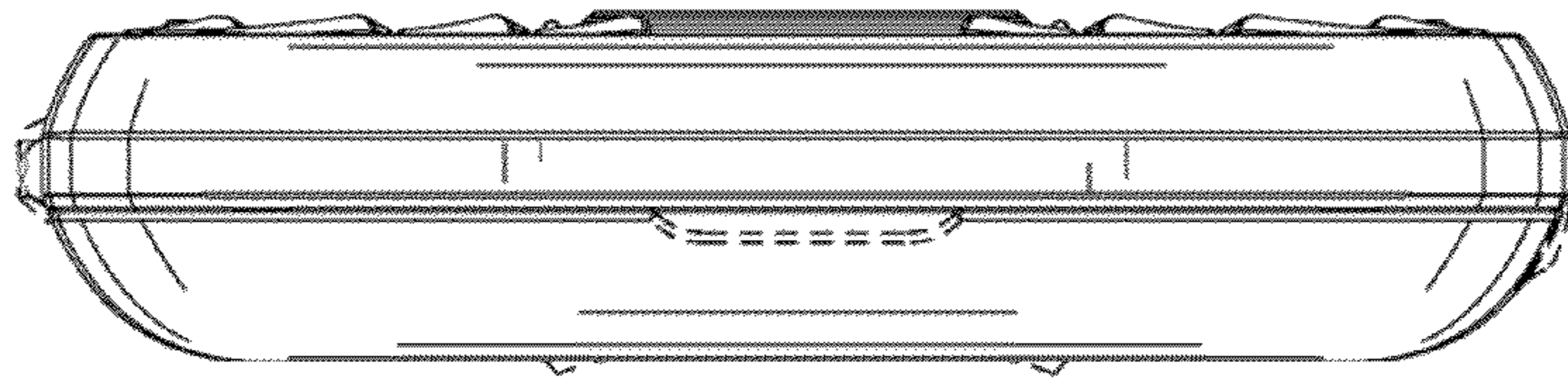


FIG. 8



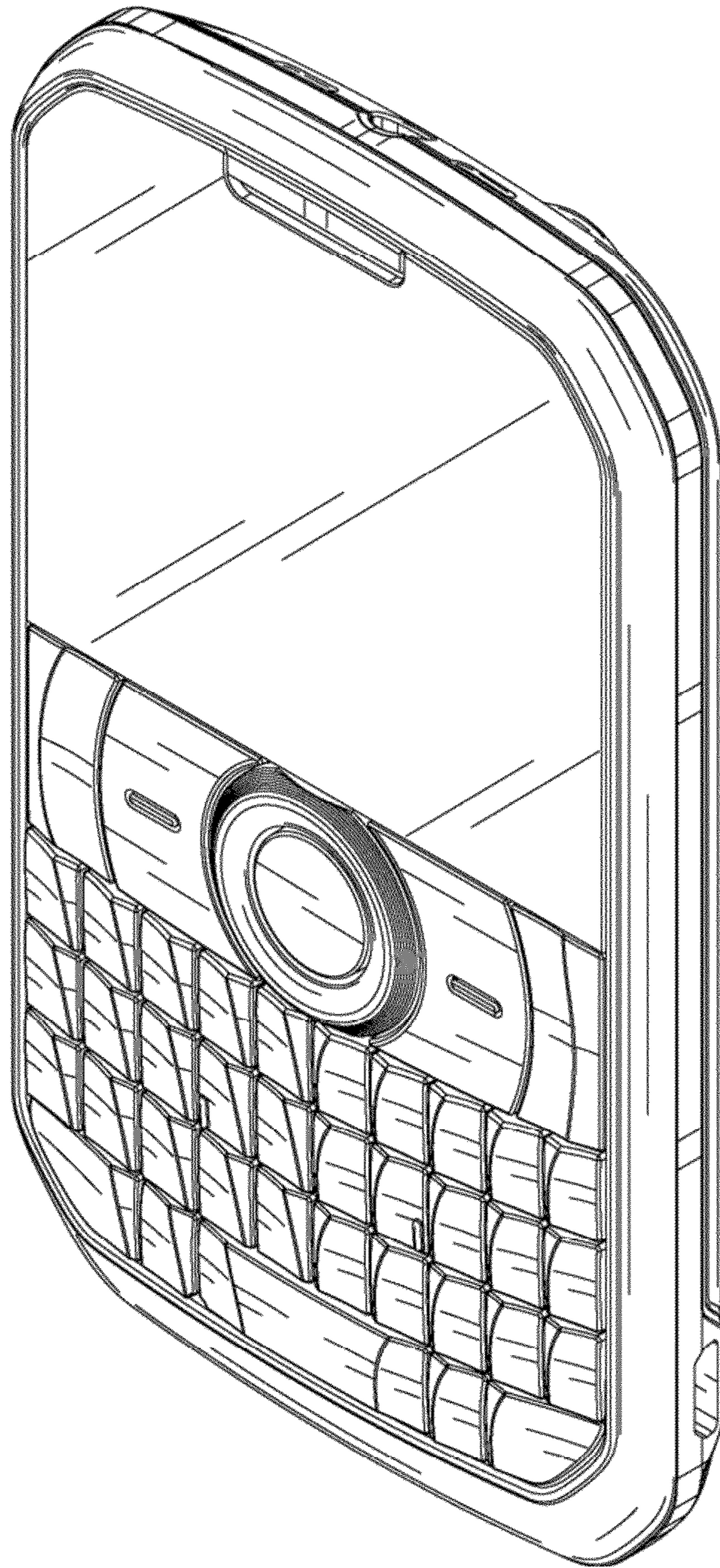


FIG. 9

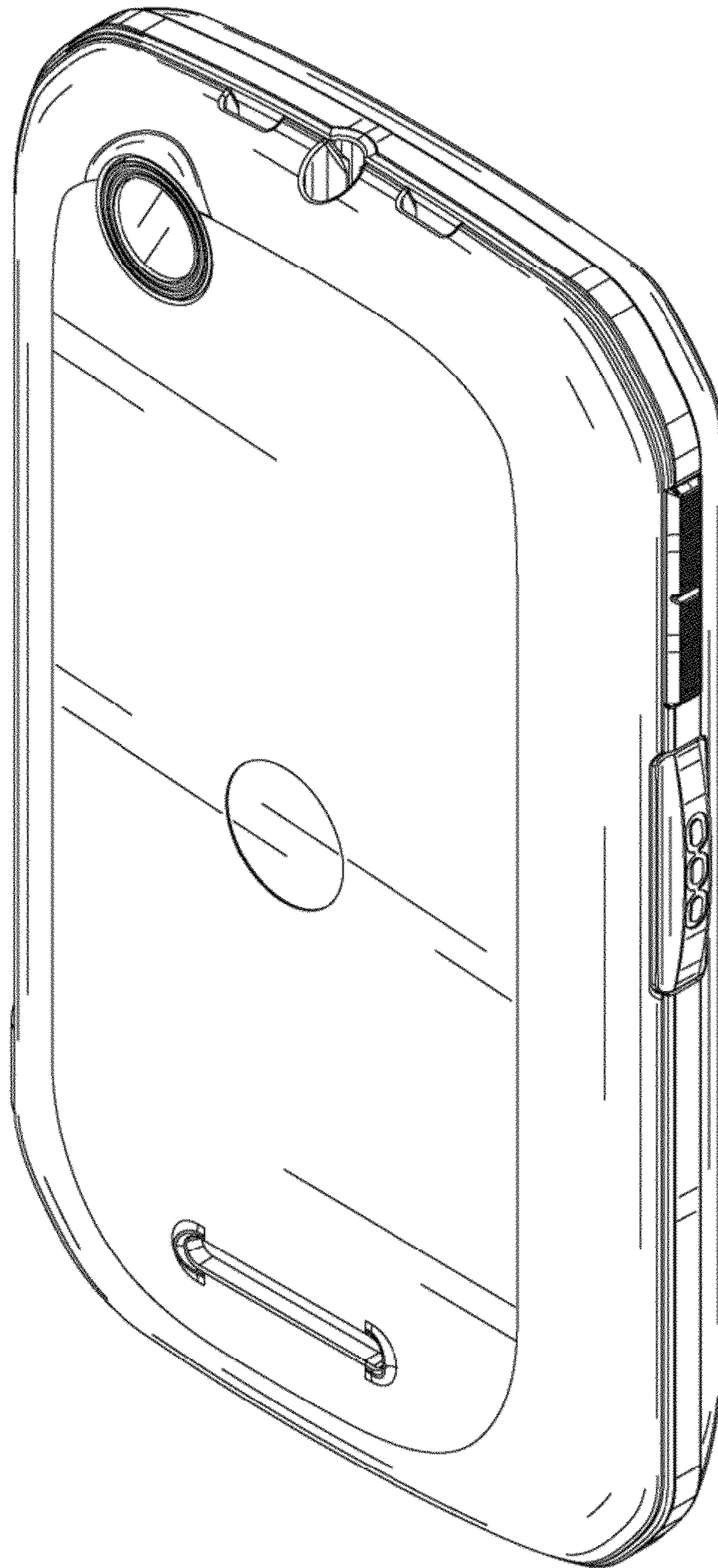


FIG. 10

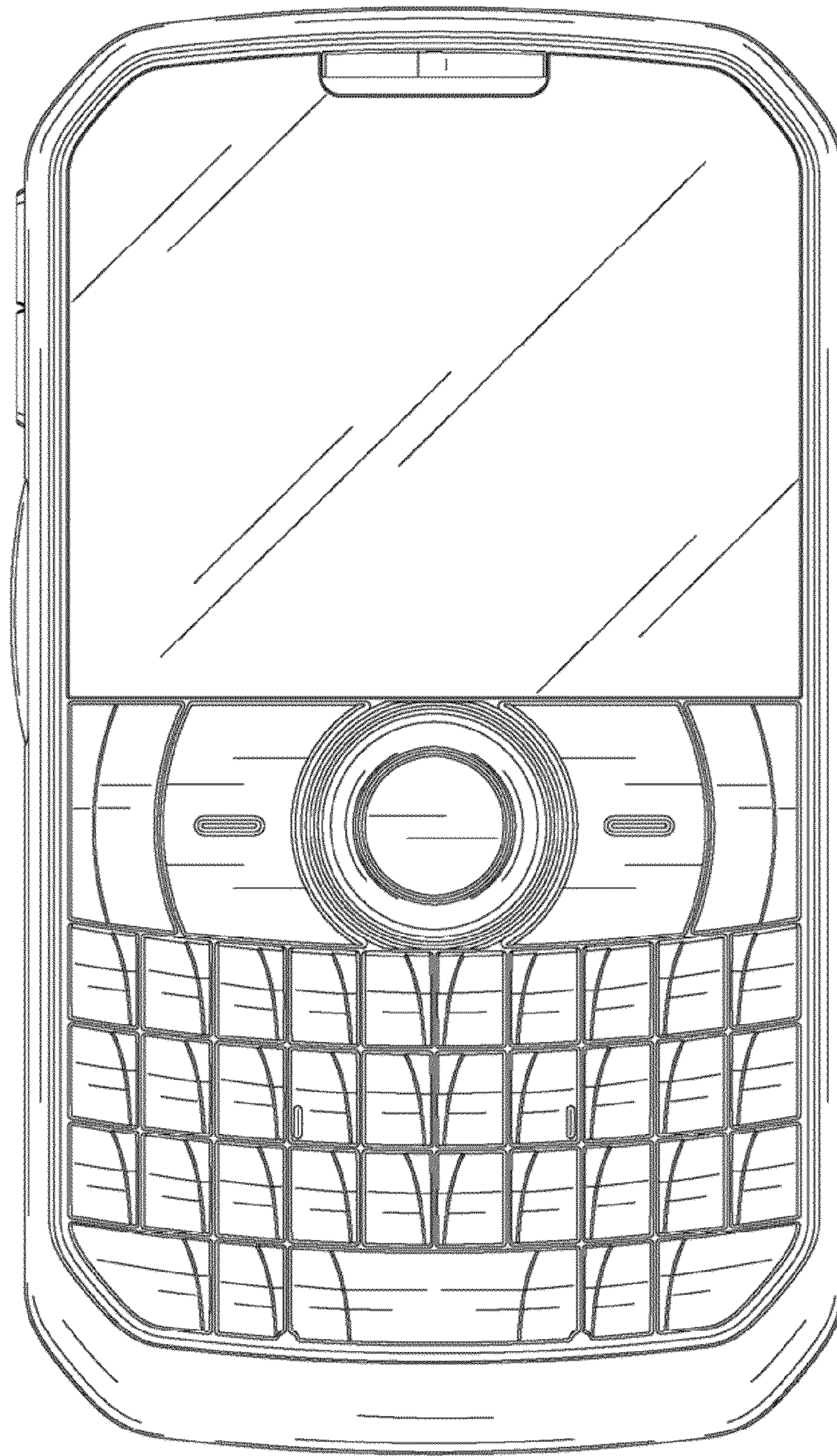


FIG. 11

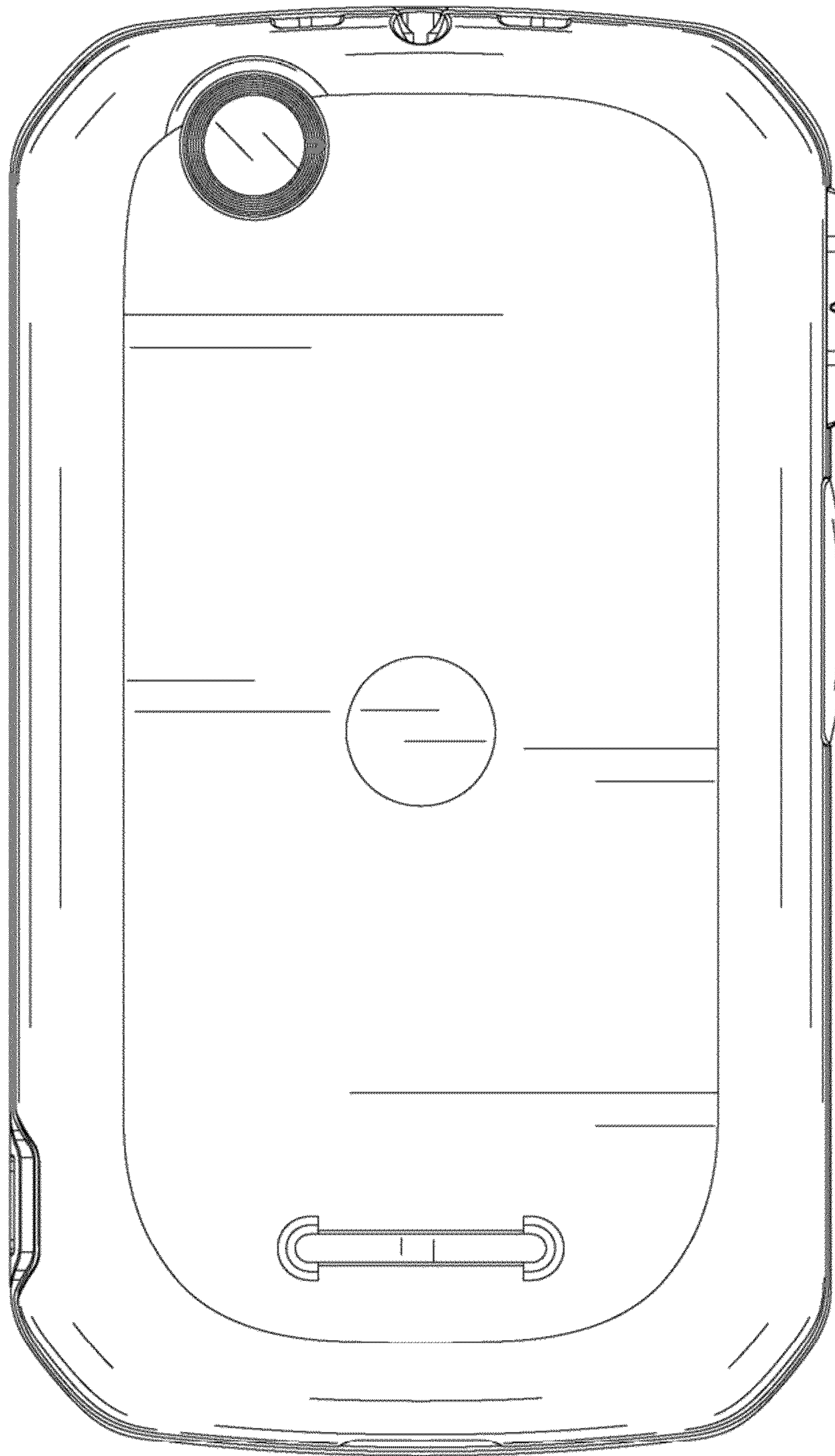


FIG. 12

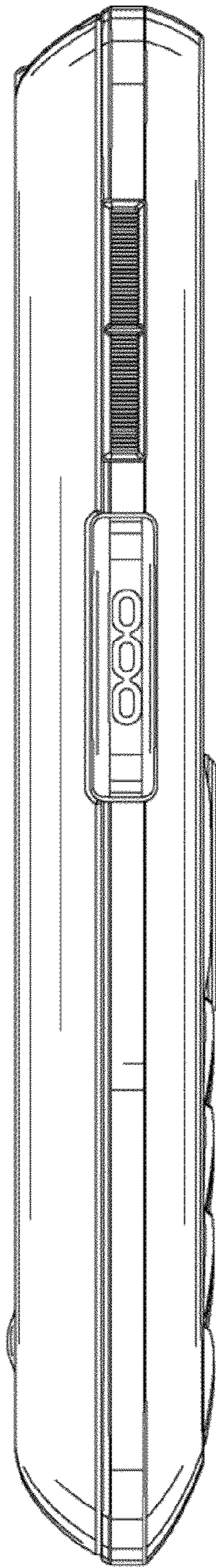


FIG. 13

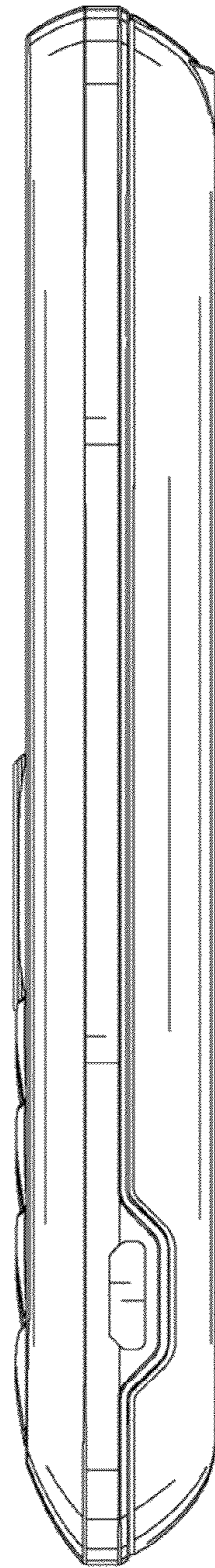


FIG. 14

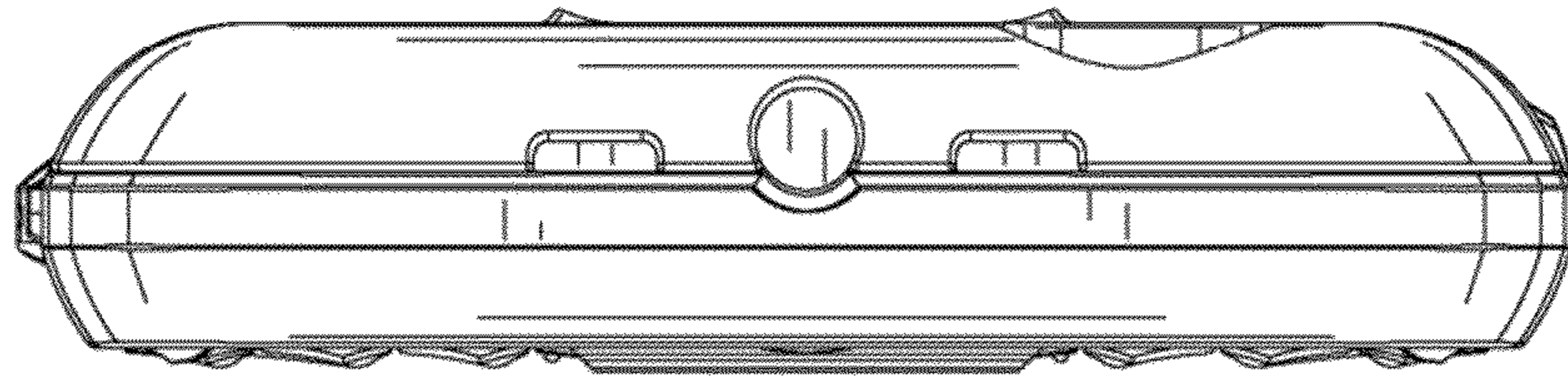


FIG. 15

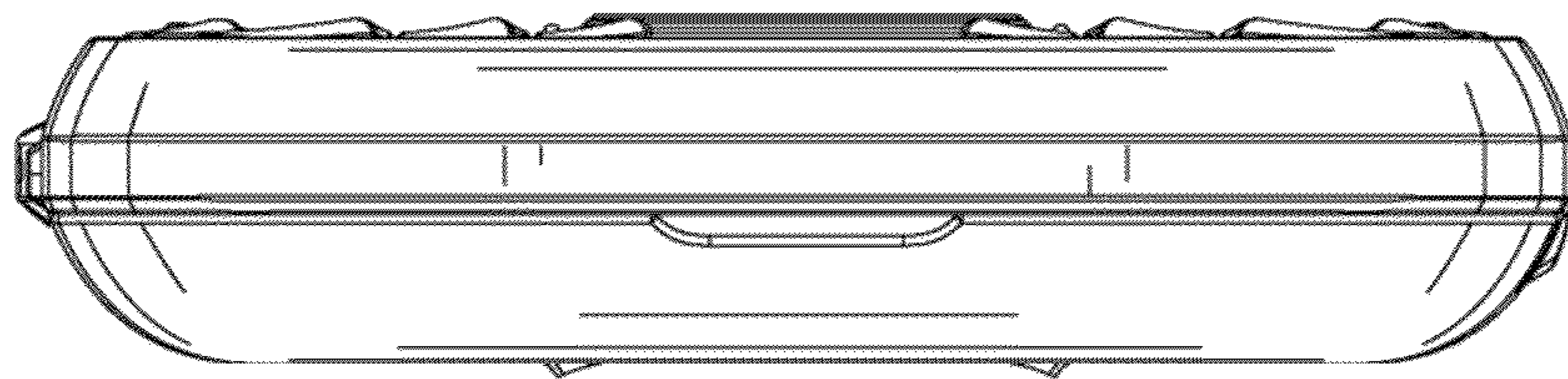


FIG. 16

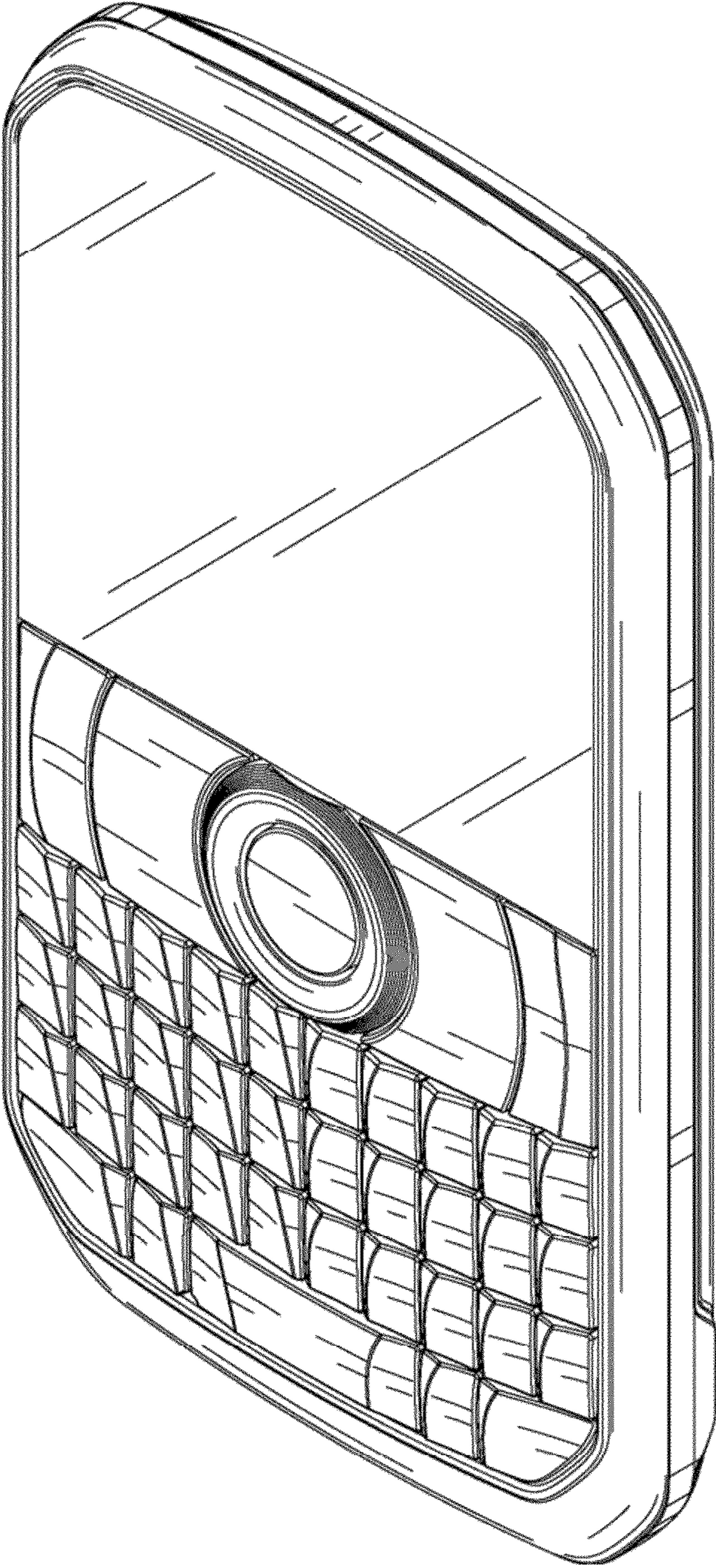


FIG. 17

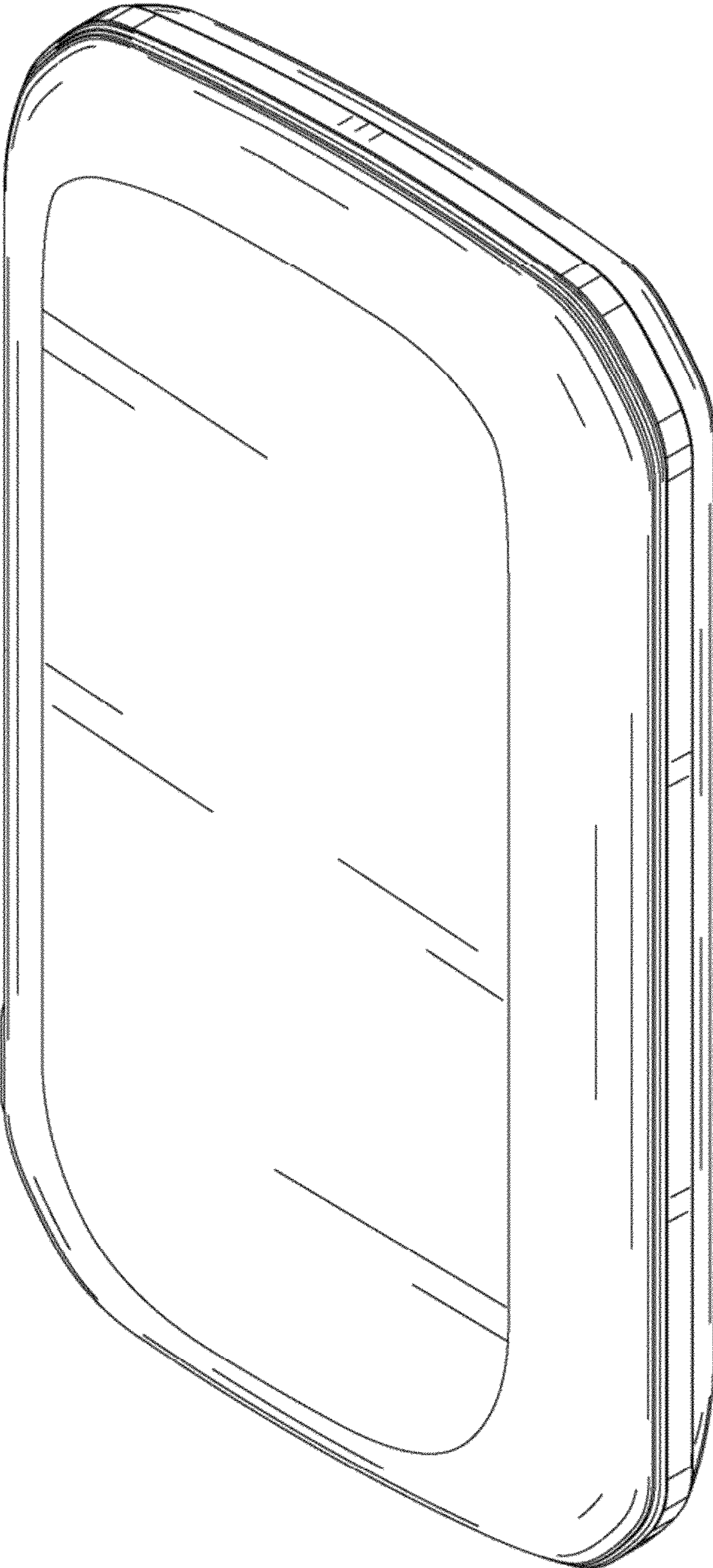


FIG. 18



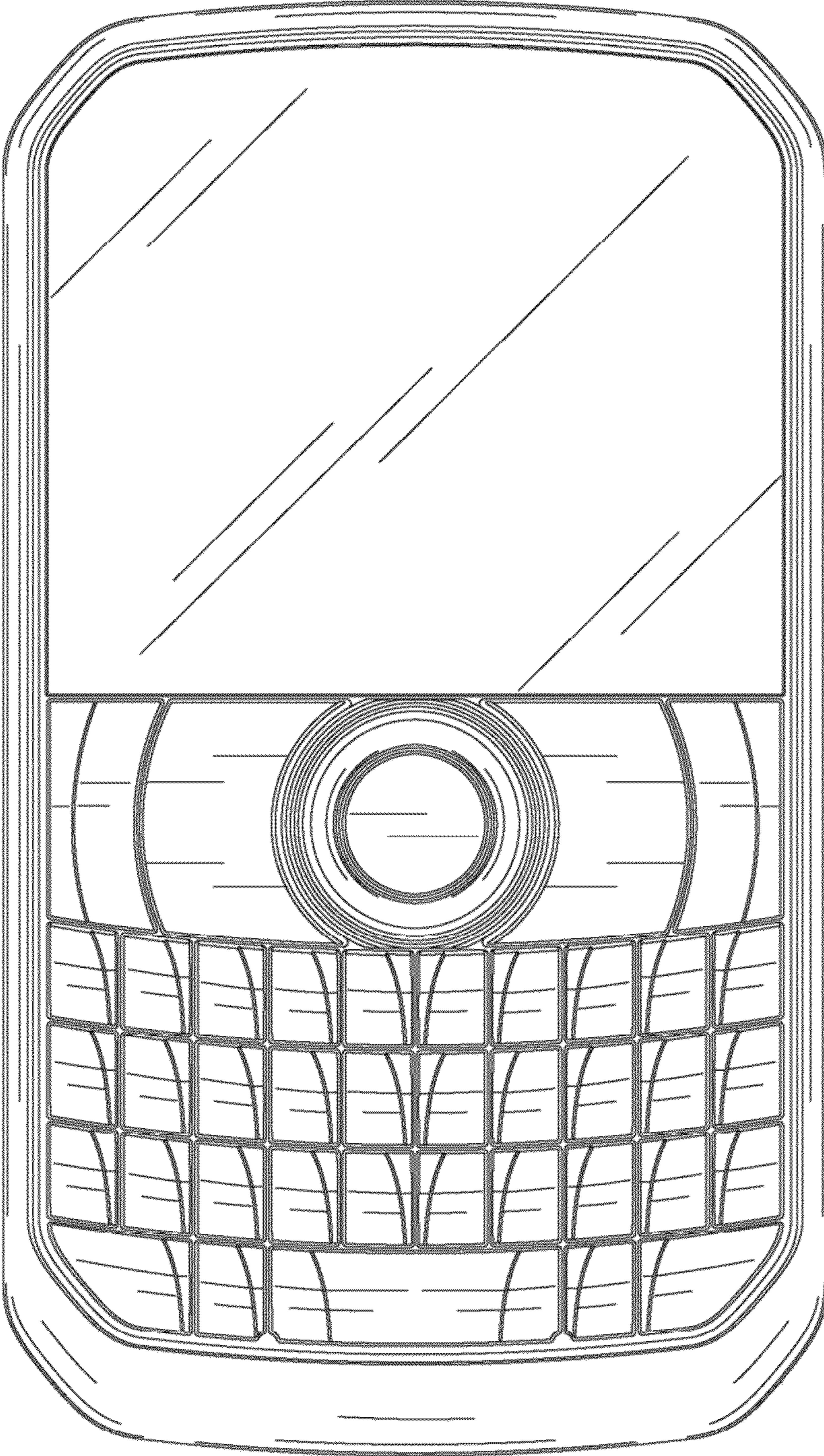


FIG. 19

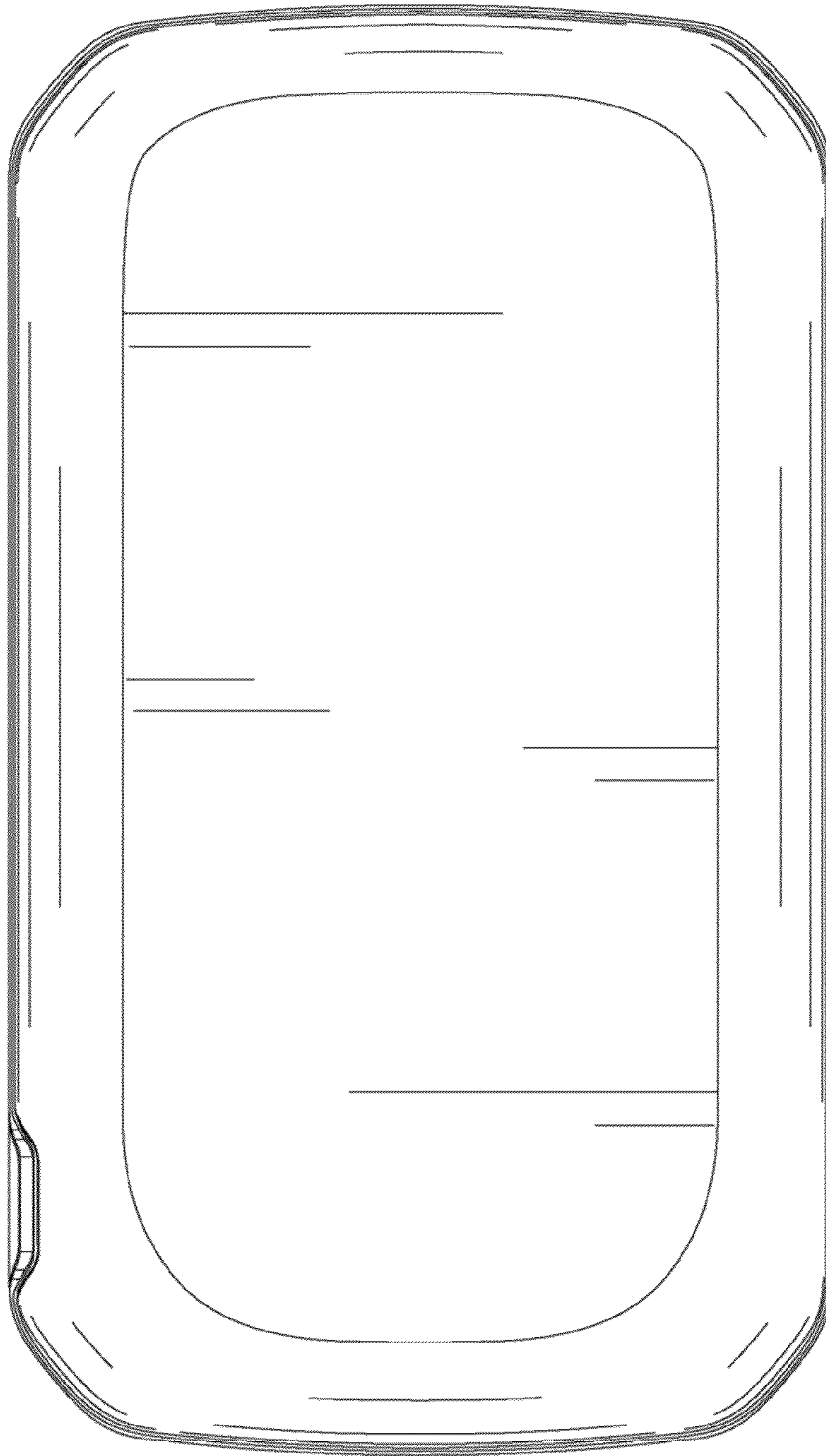


FIG. 20

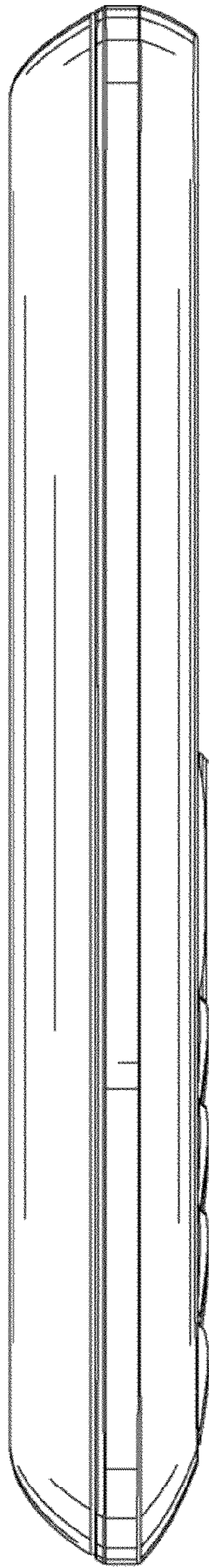


FIG. 21

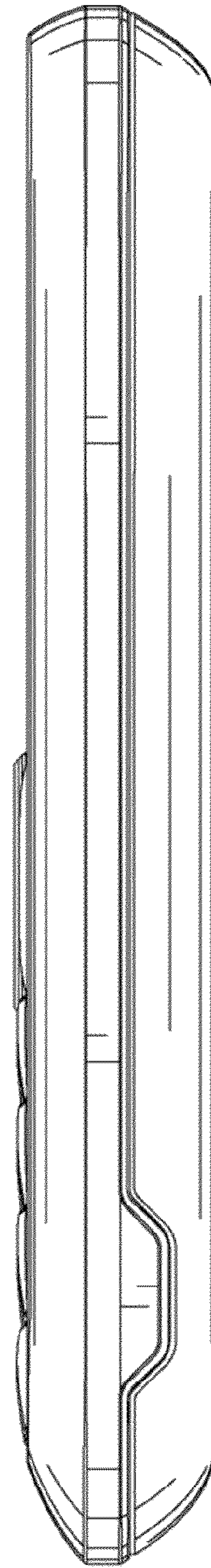


FIG. 22

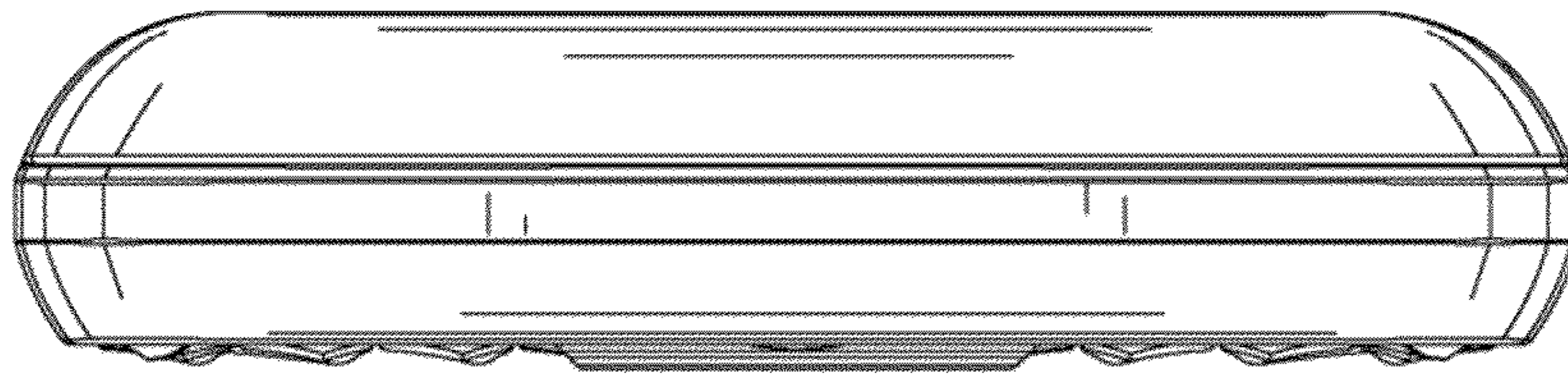


FIG. 23

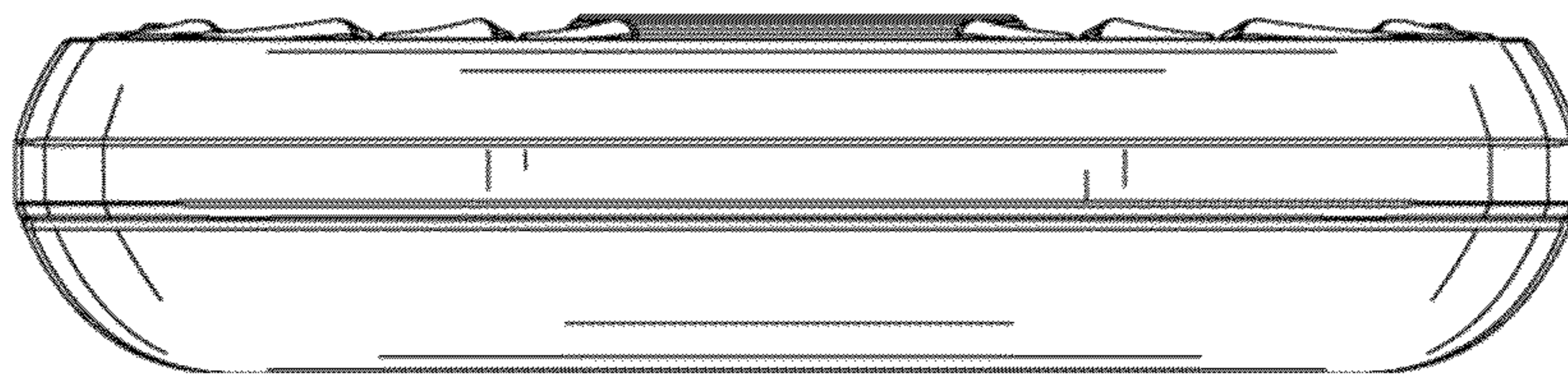


FIG. 24