



US00D686996S

(12) **United States Design Patent**
Seff et al.

(10) **Patent No.:** **US D686,996 S**
(45) **Date of Patent:** **** Jul. 30, 2013**

(54) **ENCLOSURE**

(75) Inventors: **Paul D. Seff**, Williamsburg, VA (US);
Todd N. Butler, Williamsburg, VA (US);
Jonathan K. Hamilton, Williamsburg,
VA (US); **Matthew M. Valencic**,
Williamsburg, VA (US); **Christopher L.**
Dolan, Williamsburg, VA (US)

(73) Assignee: **Eaton Corporation**, Cleveland, OH
(US)

(**) Term: **14 Years**

(21) Appl. No.: **29/427,426**

(22) Filed: **Jul. 18, 2012**

(51) **LOC (9) Cl.** **13-03**

(52) **U.S. Cl.**
USPC **D13/152**

(58) **Field of Classification Search**
USPC D13/152, 164, 184, 137.1, 139.1,
D13/153, 137.2, 133, 137.4, 139.7, 130, 128,
D13/132, 138.2, 139.4, 139.8, 139.6, 123,
D13/160, 107; 361/683; D9/416, 423
See application file for complete search history.

(56) **References Cited**

U.S. PATENT DOCUMENTS

D342,249	S	*	12/1993	Beaumont et al.	D14/142
D360,620	S	*	7/1995	Gehrs et al.	D13/184
7,158,376	B2	*	1/2007	Richardson et al.	361/679.56
D626,063	S	*	10/2010	Cutter et al.	D13/107
D632,645	S	*	2/2011	Blain	D13/107
D664,918	S	*	8/2012	Brandys et al.	D13/107
D665,344	S	*	8/2012	Petrie et al.	D13/107
D674,335	S	*	1/2013	Yamashita et al.	D13/107

OTHER PUBLICATIONS

http://www.lowes.com/pd_410892-82364-EVSEL216HNBW_0_?productId=3777943.
http://www.leviton.com/OA_HTML/SectionDisplay.jsp?section=37738&minisite=10251.
<http://www.homedepot.com/p/t/202963679?productId=202963679&storeId=10051&langId>
<http://www.homedepot.com/p/Leviton-Evr-Green-16-Amp-Blue-Level-2-Electric-Car-Cha>

* cited by examiner

Primary Examiner — Robert M Spear
Assistant Examiner — Rhea Shields

(74) *Attorney, Agent, or Firm* — Eckert Seamans Cherin & Mellott, LLC; Grant E. Coffield

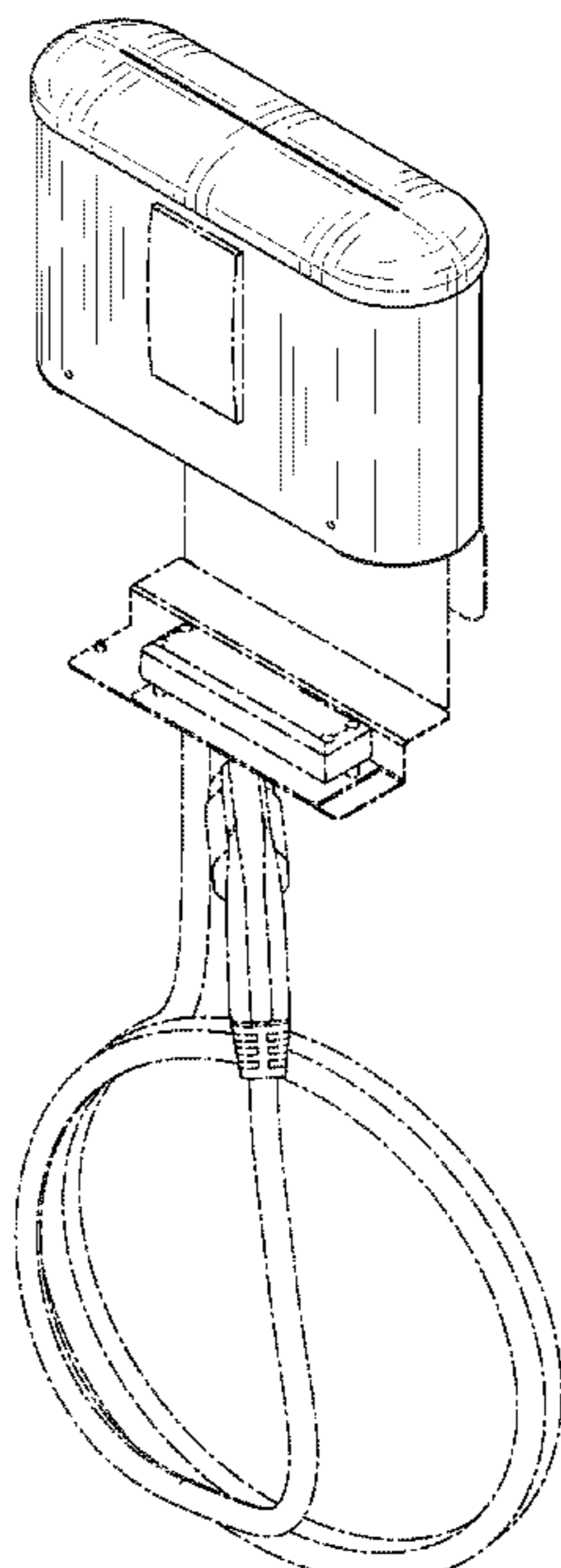
(57) **CLAIM**

The ornamental design for an enclosure, as shown and described.

DESCRIPTION

FIG. 1 is a front isometric view of an enclosure in accordance with an embodiment of the invention;
FIG. 2 is a front elevational view of the enclosure of FIG. 1;
FIG. 3 is a back elevational view of the enclosure of FIG. 1;
FIG. 4 is a right side elevational view of the enclosure of FIG. 1;
FIG. 5 is a top plan view of the enclosure of FIG. 1; and,
FIG. 6 is a bottom plan view of the enclosure of FIG. 1. The components shown in dotted lines being for illustrative purposes only and not a part of the claimed design, the left side elevational view (not shown) of the enclosure being a mirror image of the right side elevational view.

1 Claim, 5 Drawing Sheets



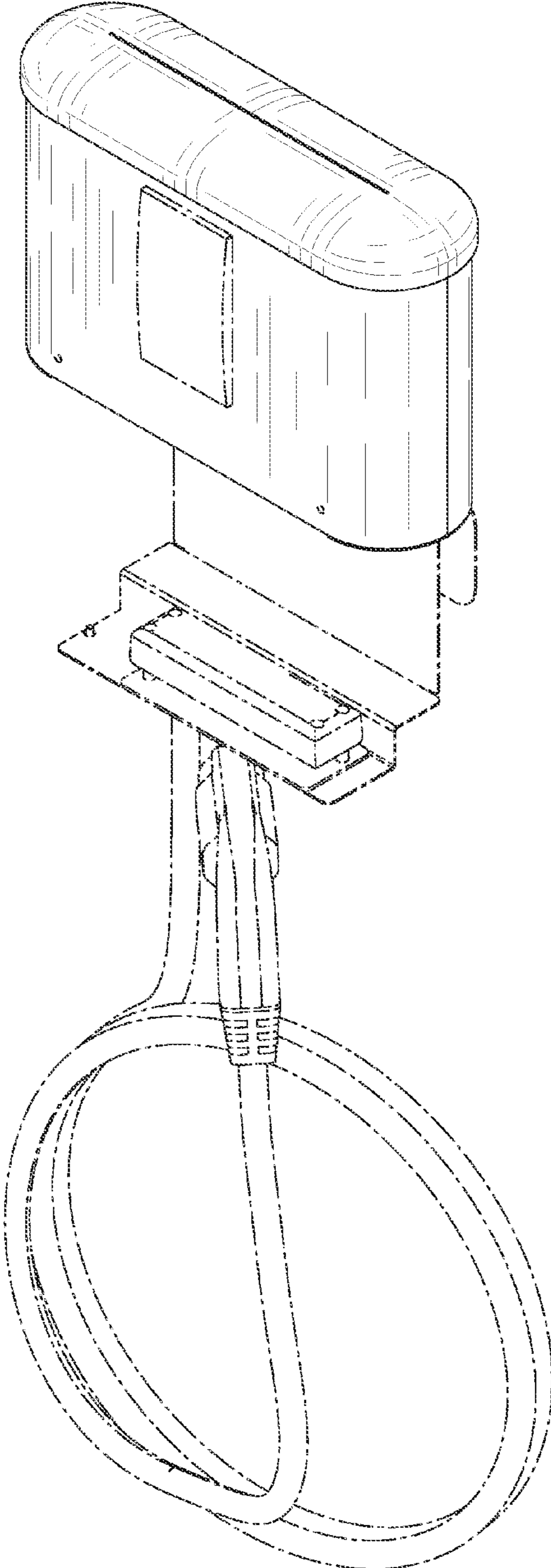


FIG.1

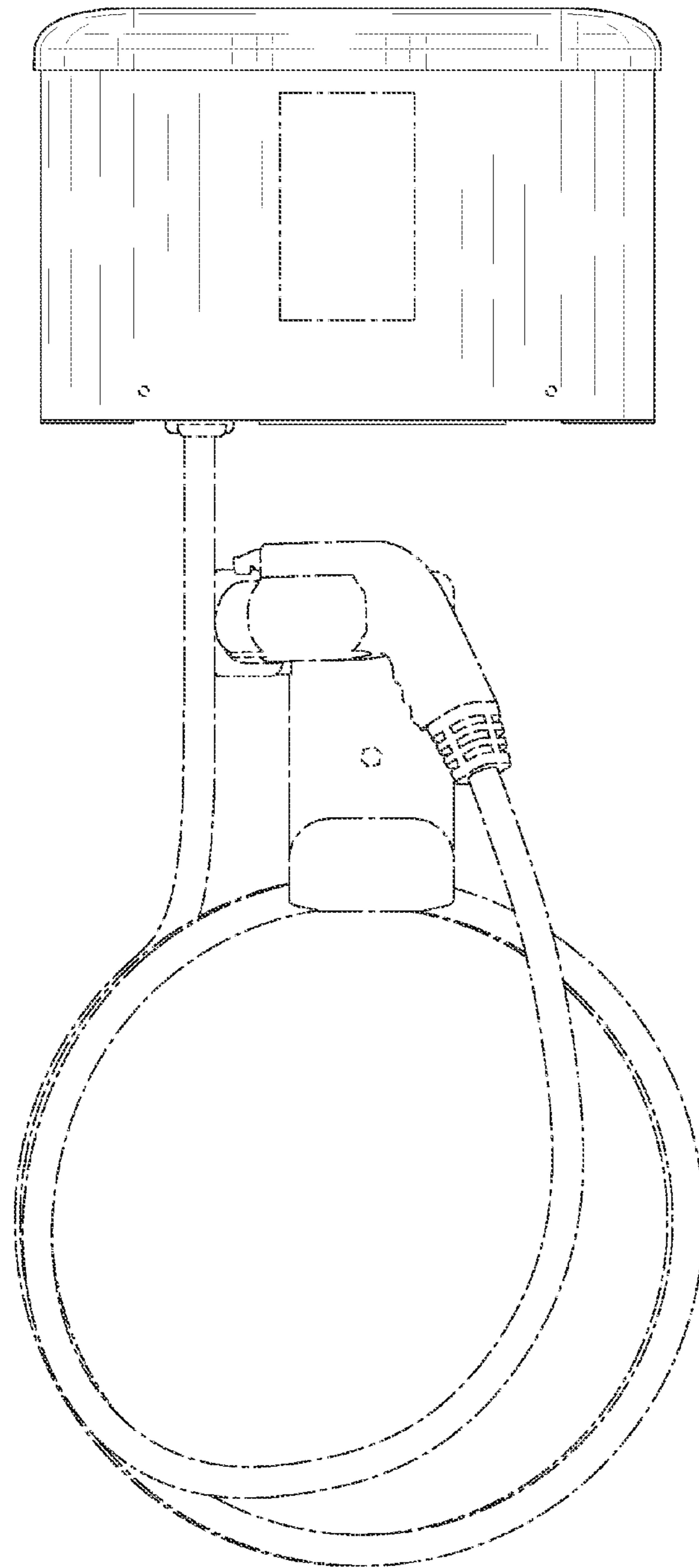


FIG. 2

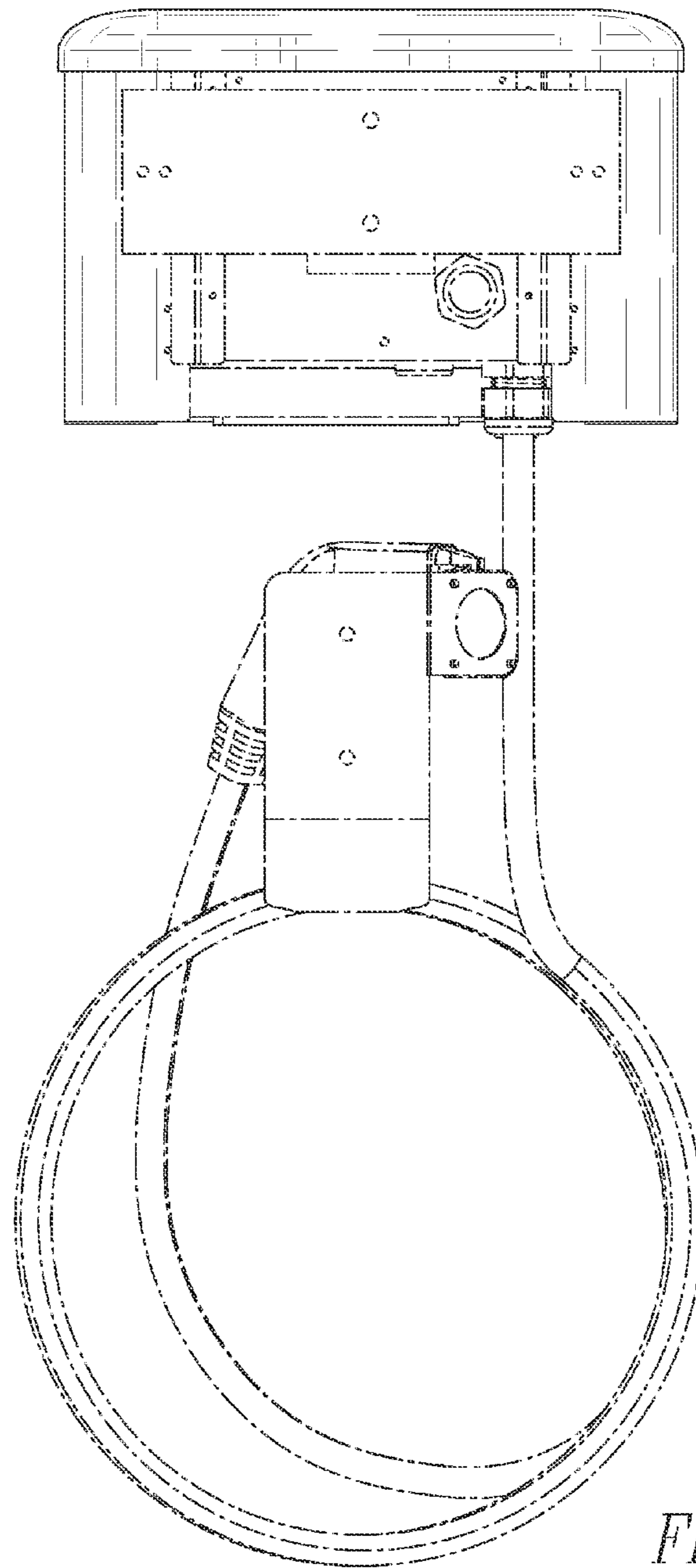


FIG. 3

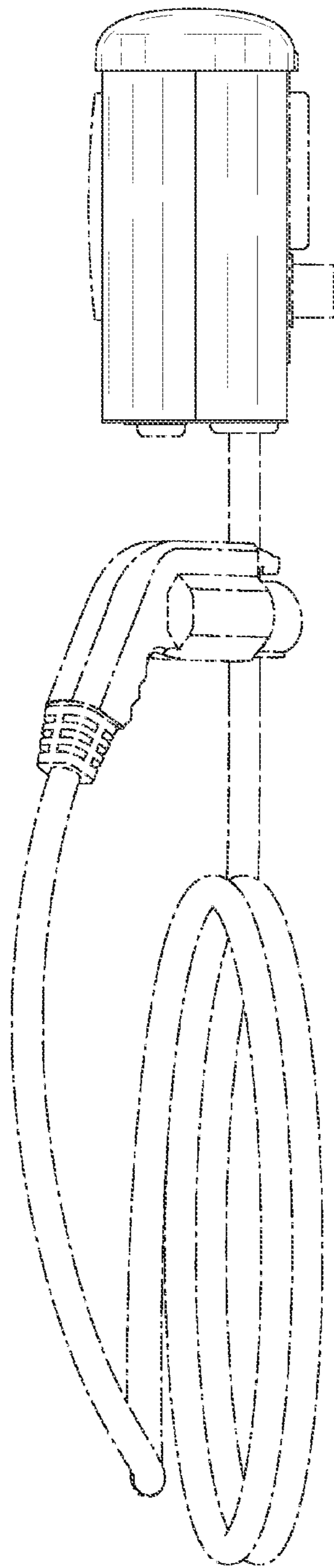


FIG. 4

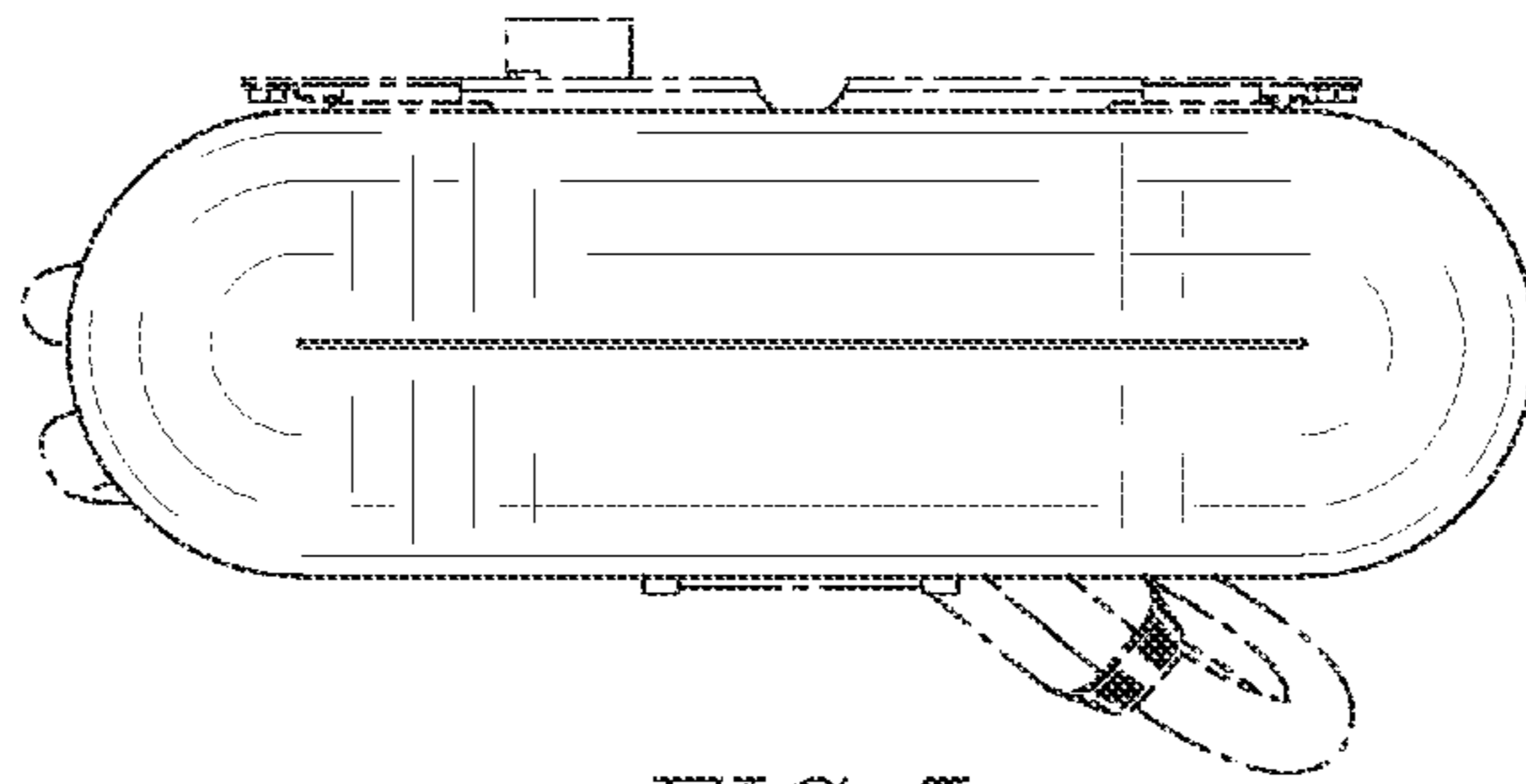


FIG. 5

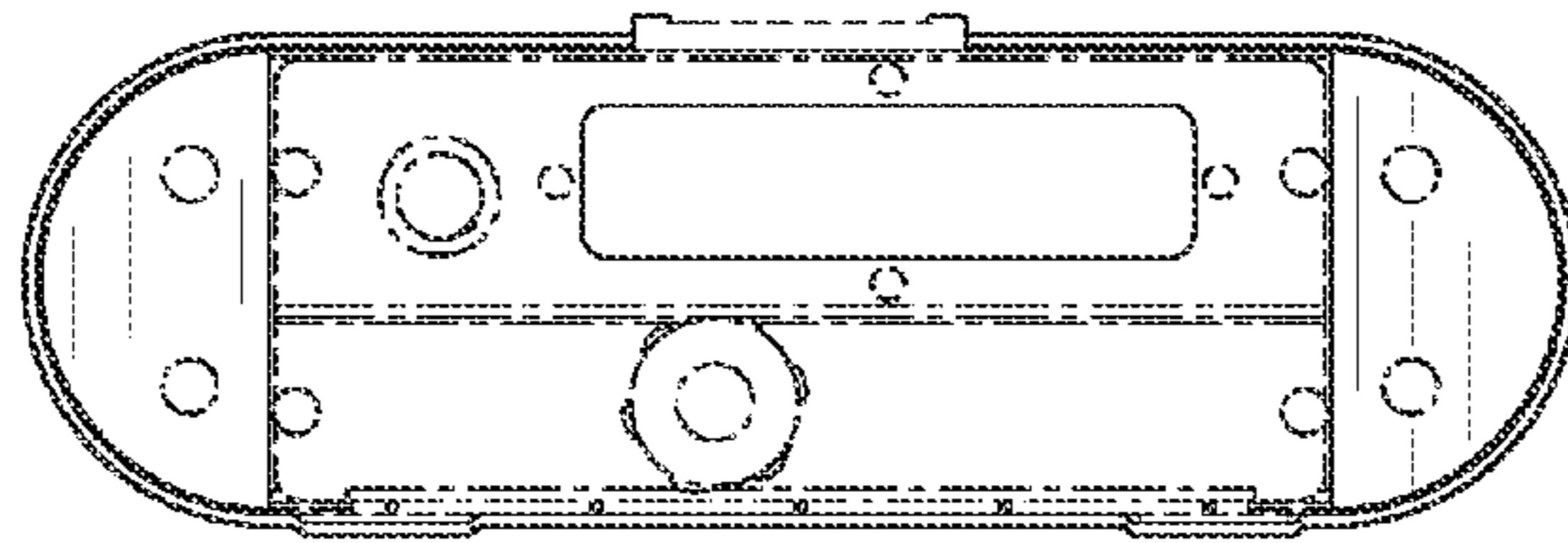


FIG. 6