



US00D686995S

(12) **United States Design Patent**  
**Nikayin**

(10) **Patent No.:** **US D686,995 S**  
(45) **Date of Patent:** **\*\* Jul. 30, 2013**

- (54) **UNIVERSAL JUNCTION BOX**
  - (75) Inventor: **David Nikayin**, Los Angeles, CA (US)
  - (73) Assignee: **Orbit Industries, Inc.**, Los Angeles, CA (US)
  - (\*\*) Term: **14 Years**
  - (21) Appl. No.: **29/388,224**
  - (22) Filed: **Mar. 25, 2011**
  - (51) **LOC (9) Cl.** ..... **13-03**
  - (52) **U.S. Cl.**  
USPC ..... **D13/152**
  - (58) **Field of Classification Search**  
USPC ..... D13/139.4, 152, 154, 156, 158, 160,  
D13/173, 184, 199; 174/17.04, 50, 53-55,  
174/58, 60, 64, 66, 67, 480-81; 220/3.2,  
220/3.3, 3.7-3.9, 241-42, 315; 439/135-6,  
439/367, 373, 535-37, 541, 892-93; 248/906;  
138/109
- See application file for complete search history.

8,242,386	B1 *	8/2012	Baldwin et al.	.....	174/481
2006/0207783	A1 *	9/2006	Lammens et al.	.....	174/58
2011/0120582	A1 *	5/2011	Veillette	.....	138/109

**OTHER PUBLICATIONS**

[http://www.plumbersurplus.com/Prod/Carlson-E983D-CTN-Non-Metallic-Conduit-Body- . . . \\*](http://www.plumbersurplus.com/Prod/Carlson-E983D-CTN-Non-Metallic-Conduit-Body-...)  
<http://www.ecvv.com/product/3857752.html> Oct. 17, 2012.\*  
[http://www.emersonindustrial.com/en-US/egselectricalgroup/products/enclosures-jb/ord-1 . . . \\*](http://www.emersonindustrial.com/en-US/egselectricalgroup/products/enclosures-jb/ord-1...)

\* cited by examiner

*Primary Examiner* — Robert M Spear  
*Assistant Examiner* — Rhea Shields  
 (74) *Attorney, Agent, or Firm* — K. David Crockett, Esq.; Paul J. Backofen, Esq.; Crockett & Crockett, PC

(57) **CLAIM**  
 The ornamental design for a universal junction box, as shown and described.

**DESCRIPTION**

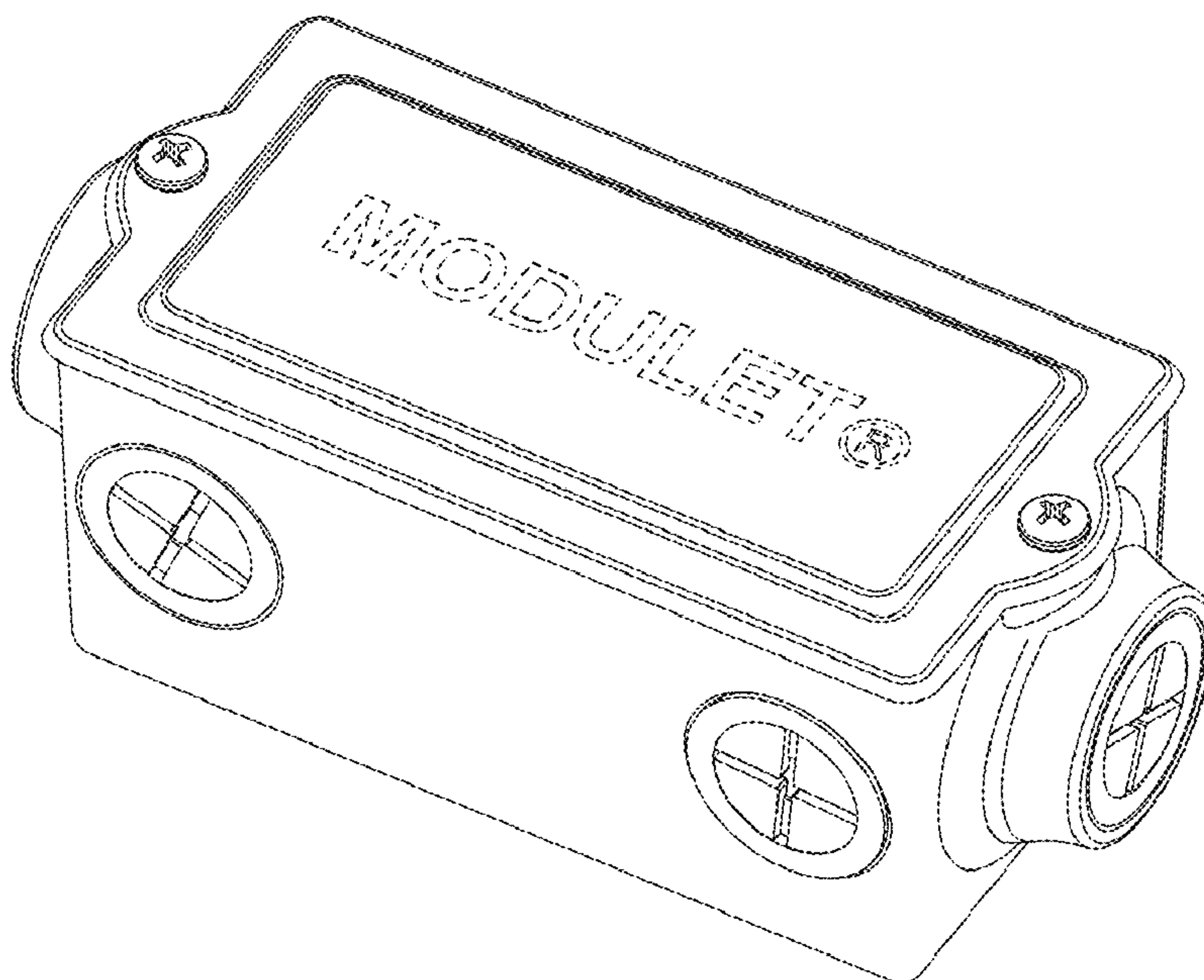
FIG. 1 is a top view of a universal junction box.  
 FIG. 2 is a end view of the universal junction box of FIG. 1.  
 FIG. 3 is a side view of the universal junction box of FIG. 1.  
 FIG. 4 is a perspective view of the universal junction box of FIG. 1; and,  
 FIG. 5 is an exploded perspective view of a universal junction box with cover and plugs.  
 The broken lines in the drawings represent unclaimed environmental subject matter.

**1 Claim, 2 Drawing Sheets**

(56) **References Cited**

**U.S. PATENT DOCUMENTS**

3,910,448	A *	10/1975	Evans et al.	.....	220/3.8
D247,030	S *	1/1978	Cocuzzo	.....	D13/160
4,845,312	A *	7/1989	Lee	.....	174/655
4,936,478	A *	6/1990	Bozdeck	.....	220/3.92
7,109,416	B1 *	9/2006	Reed	.....	174/50
D596,582	S *	7/2009	Stuckmann et al.	.....	D13/152
8,129,631	B1 *	3/2012	Shemtov	.....	174/481



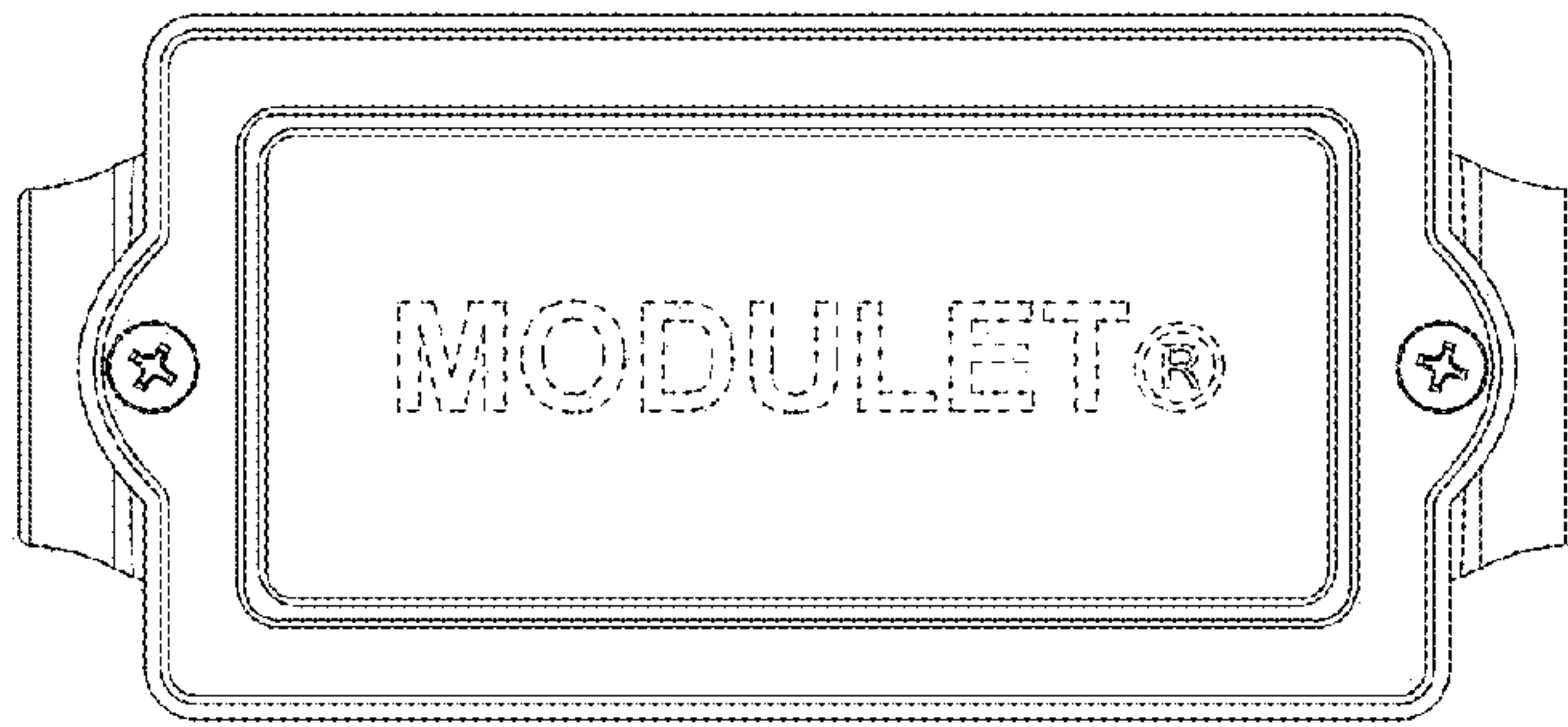


Fig. 1

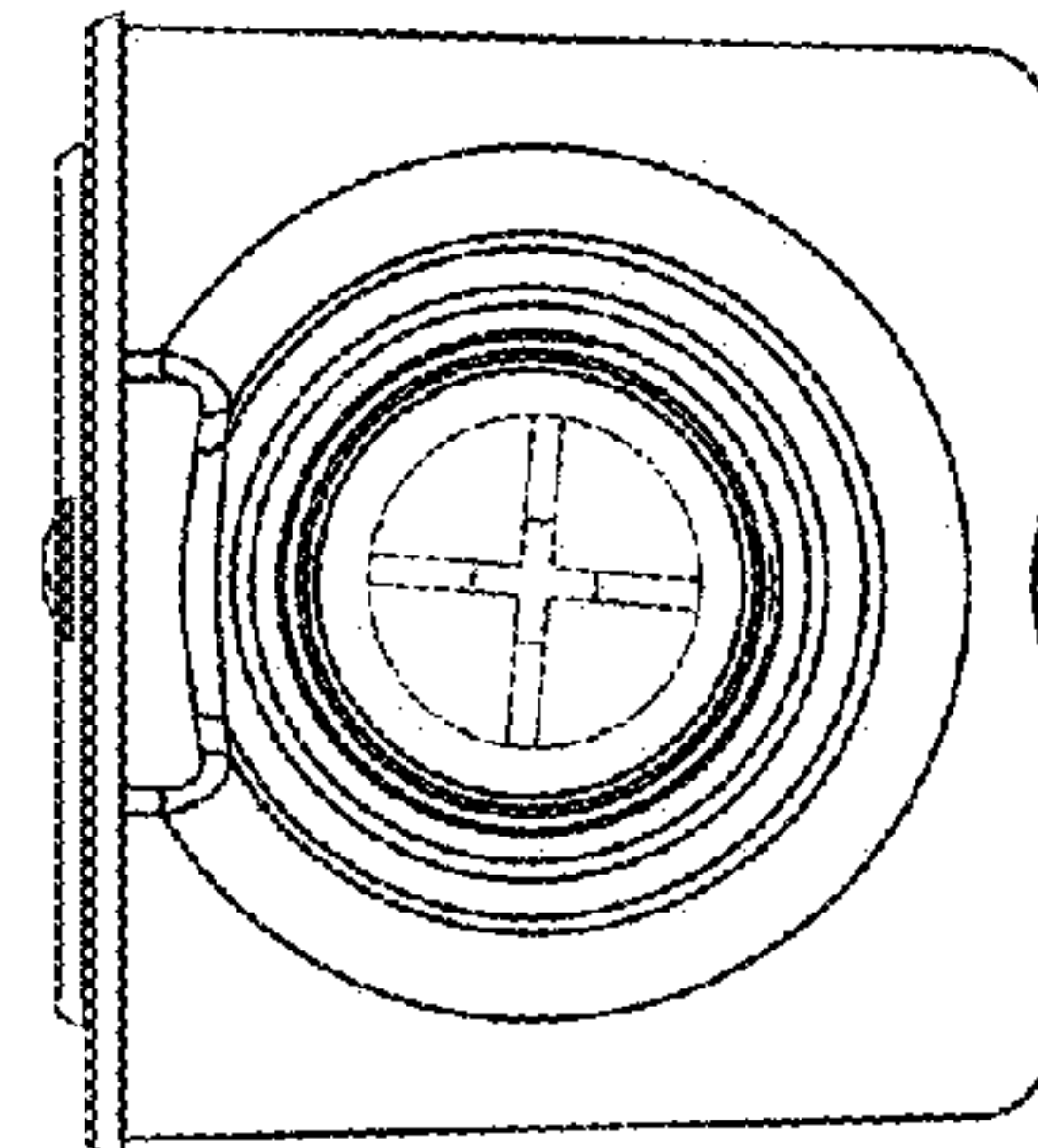


Fig. 2

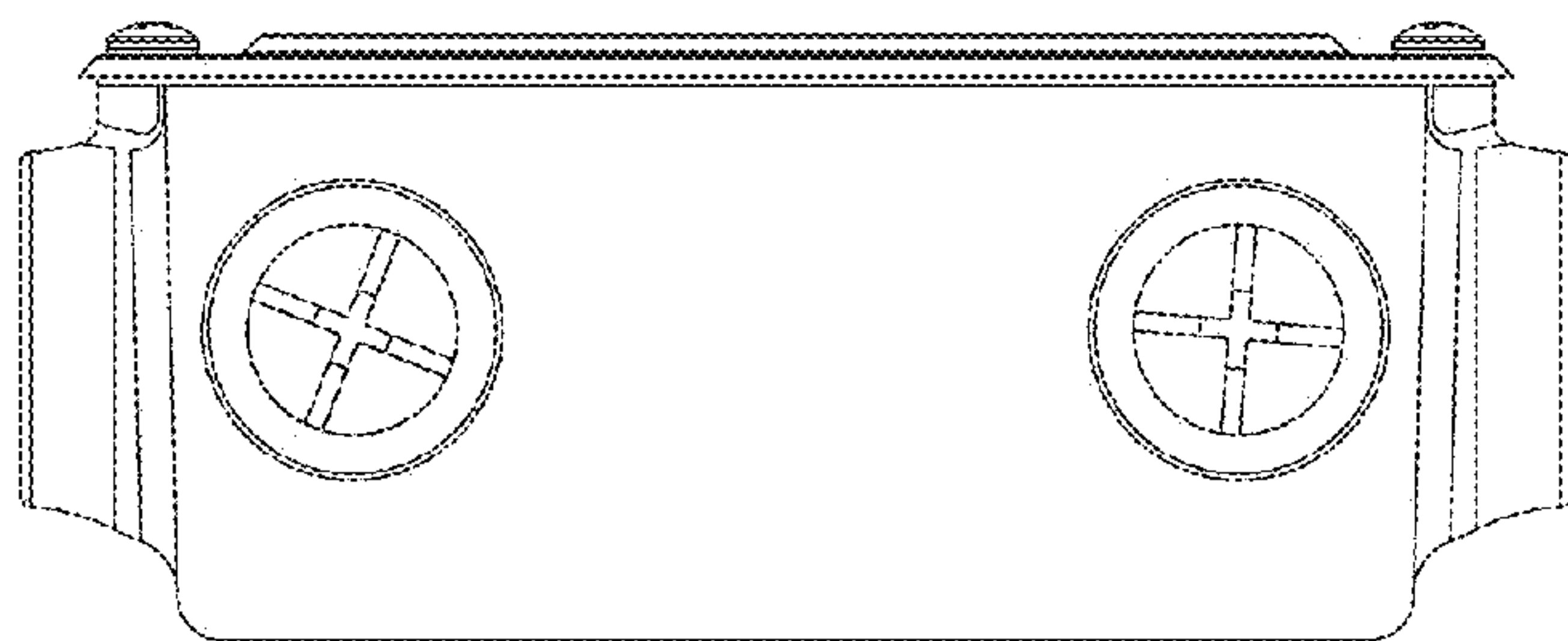


Fig. 3

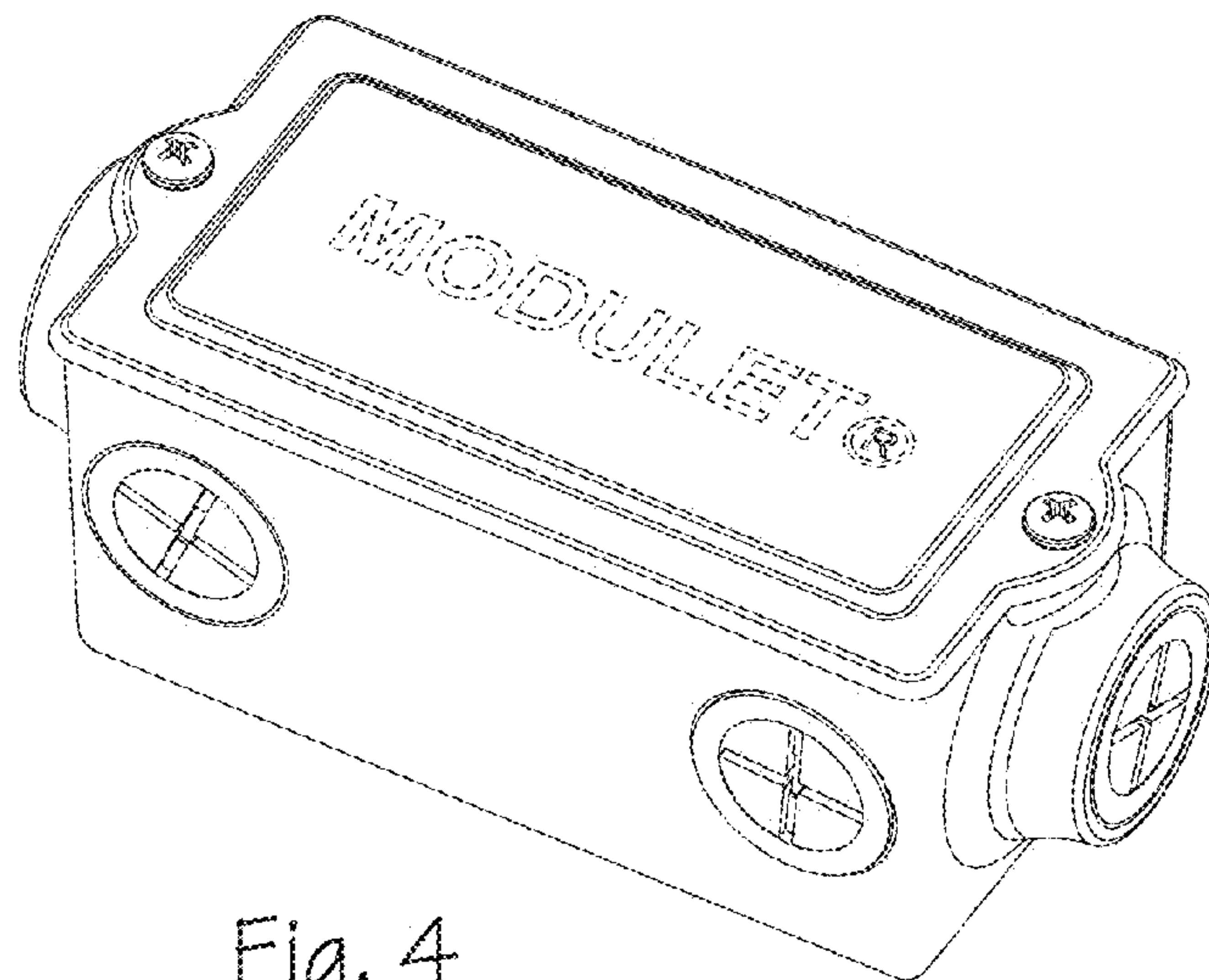


Fig. 4



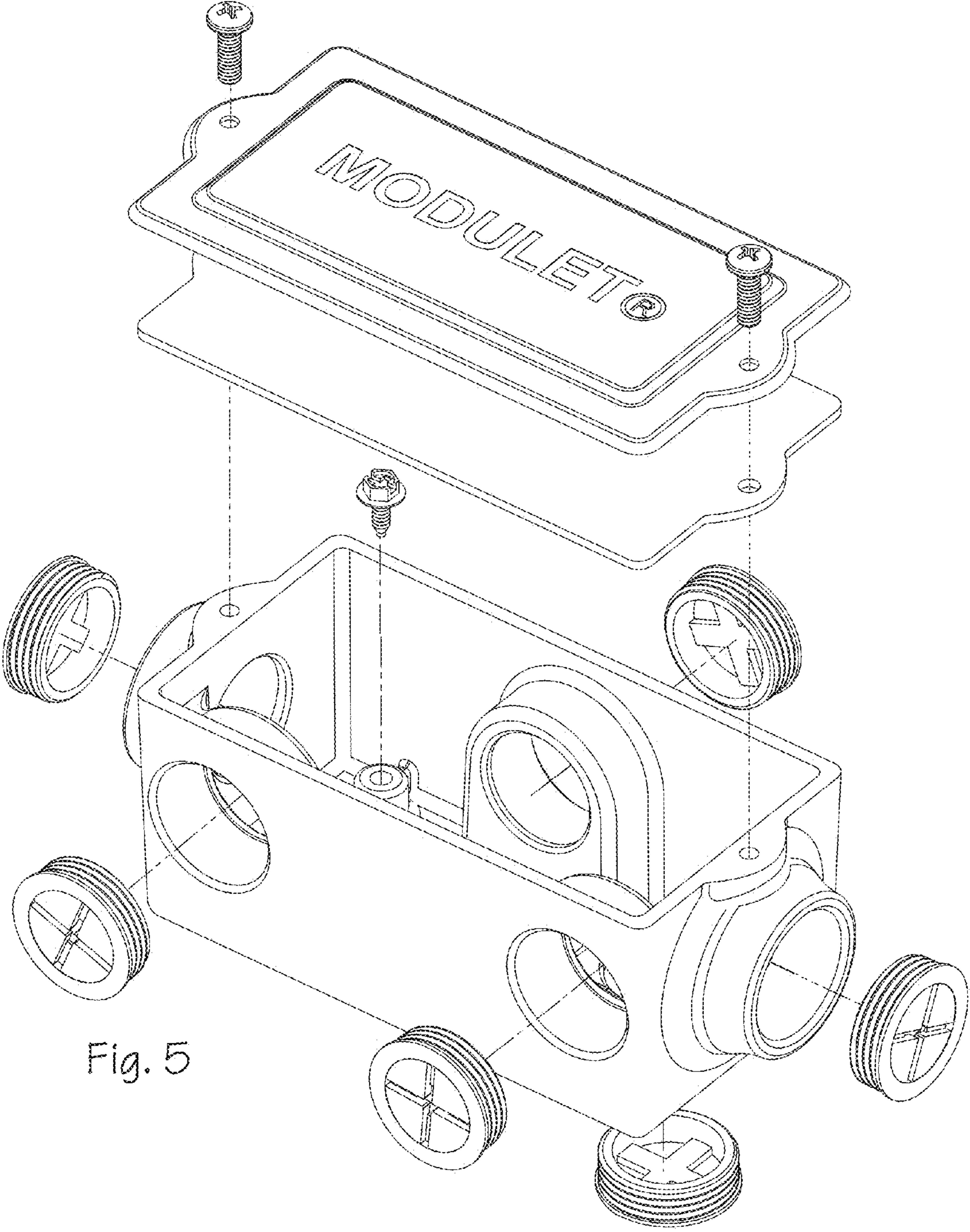


Fig. 5