



US00D686992S

(12) **United States Design Patent**  
**Eisen**

(10) **Patent No.:** **US D686,992 S**  
(45) **Date of Patent:** **\*\* Jul. 30, 2013**

(54) **CONNECTING DEVICE**

(75) Inventor: **Yagel Eisen**, Jerusalem (IL)

(73) Assignee: **Kramer Electronics Ltd.**, Jerusalem (IL)

(\*\*) Term: **14 Years**

(21) Appl. No.: **29/420,014**

(22) Filed: **May 3, 2012**

(30) **Foreign Application Priority Data**

Jan. 19, 2012 (IL) ..... 52092

(51) **LOC (9) Cl.** ..... **13-03**

(52) **U.S. Cl.**  
USPC ..... **D13/133; D13/152**

(58) **Field of Classification Search**  
USPC ..... D13/123, 133, 146, 147, 152, 154,  
D13/184, 199; 439/82, 83, 409, 412, 413,  
439/567, 636, 660, 692, 709, 715, 716, 844,  
439/849, 850-852, 857, 862, 865-867, 870,  
439/877, 884-891; 361/823  
See application file for complete search history.

(56) **References Cited**

**U.S. PATENT DOCUMENTS**

D454,540	S	*	3/2002	Sifter et al.	.....	D13/123
6,469,249	B2	*	10/2002	Capella	.....	174/66
D499,070	S	*	11/2004	Lavington	.....	D13/119
D517,988	S	*	3/2006	Ihde et al.	.....	D13/119
D539,229	S	*	3/2007	Murphey	.....	D13/155
D562,229	S	*	2/2008	Peters	.....	D13/103

D596,123	S	*	7/2009	Yang	.....	D13/133
D610,101	S	*	2/2010	Spivey	.....	D13/182
D671,500	S	*	11/2012	Kettern et al.	.....	D13/149
D676,385	S	*	2/2013	Gassauer	.....	D13/133
2006/0060368	A1	*	3/2006	Dinh	.....	174/48
2008/0220657	A1	*	9/2008	Rascon et al.	.....	439/676

\* cited by examiner

*Primary Examiner* — Thomas Johannes

(74) *Attorney, Agent, or Firm* — Westman, Champlin & Kelly, P.A.; Z. Peter Sawicki

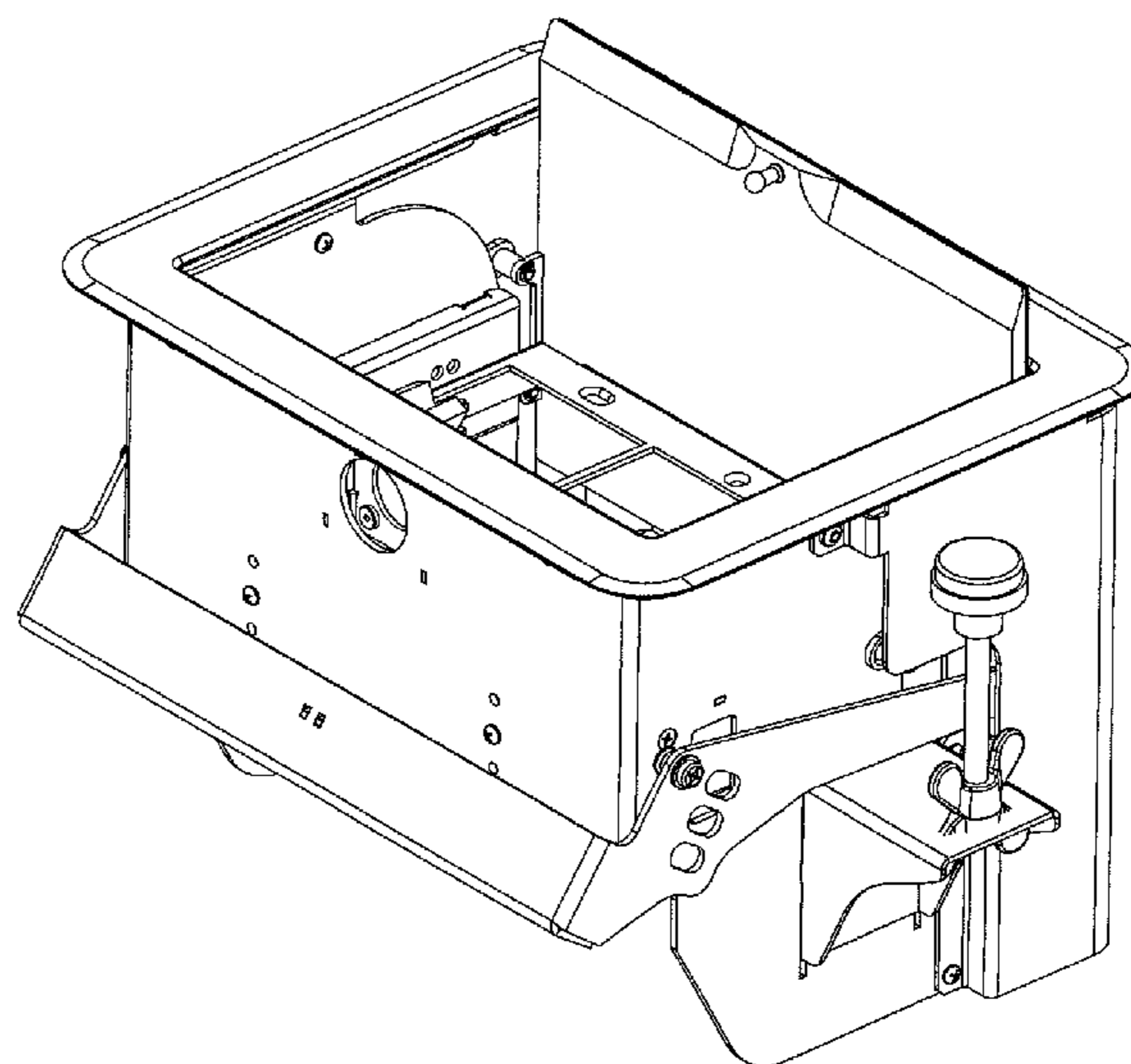
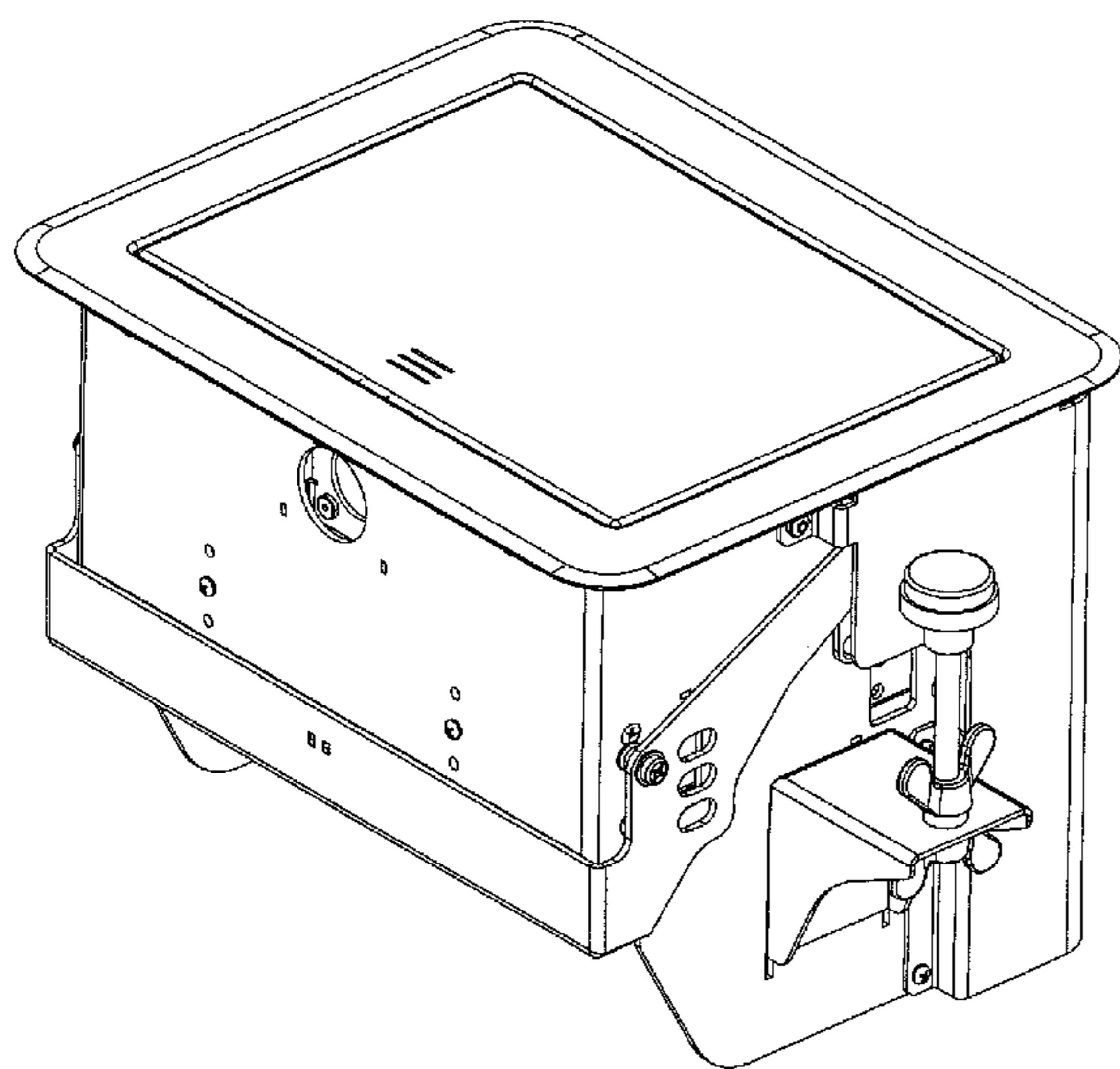
(57) **CLAIM**

The ornamental design for a connecting device, as shown and described.

**DESCRIPTION**

FIG. 1 is a left perspective view of a connecting device showing my new design with the cover closed.  
 FIG. 2 is a left perspective view thereof with the cover open.  
 FIG. 3 is a right perspective view thereof with the cover closed.  
 FIG. 4 is a right perspective view thereof with the cover open.  
 FIG. 5 is a front view thereof with the cover closed.  
 FIG. 6 is a back view thereof.  
 FIG. 7 is a left side view thereof.  
 FIG. 8 is a right side view thereof.  
 FIG. 9 is a top view thereof.  
 FIG. 10 is a bottom view thereof.  
 FIG. 11 is a left side view thereof with the cover open.  
 FIG. 12 is a right side view thereof.  
 FIG. 13 is a top view thereof; and,  
 FIG. 14 is a bottom view thereof.

**1 Claim, 14 Drawing Sheets**



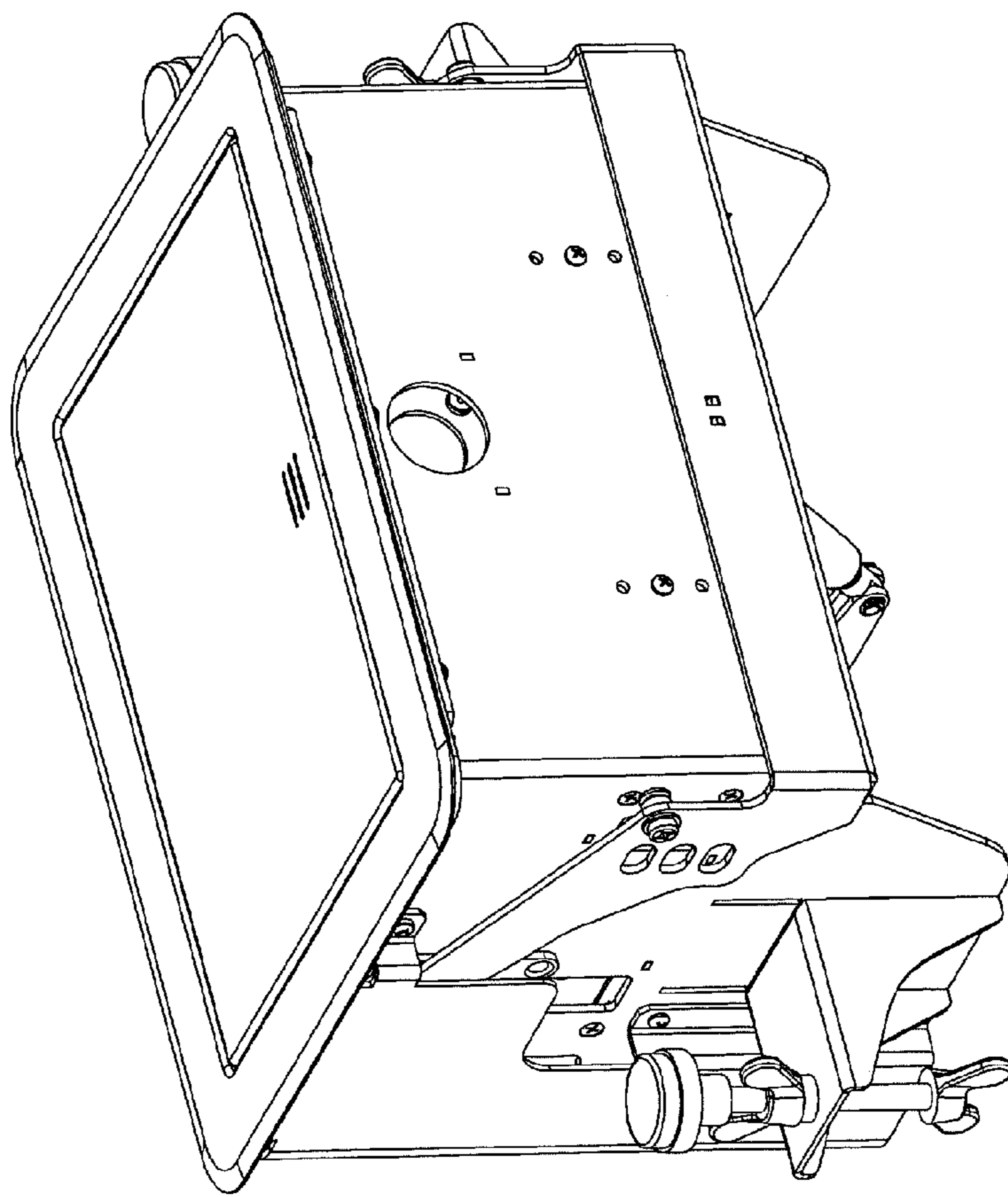


FIG. 1

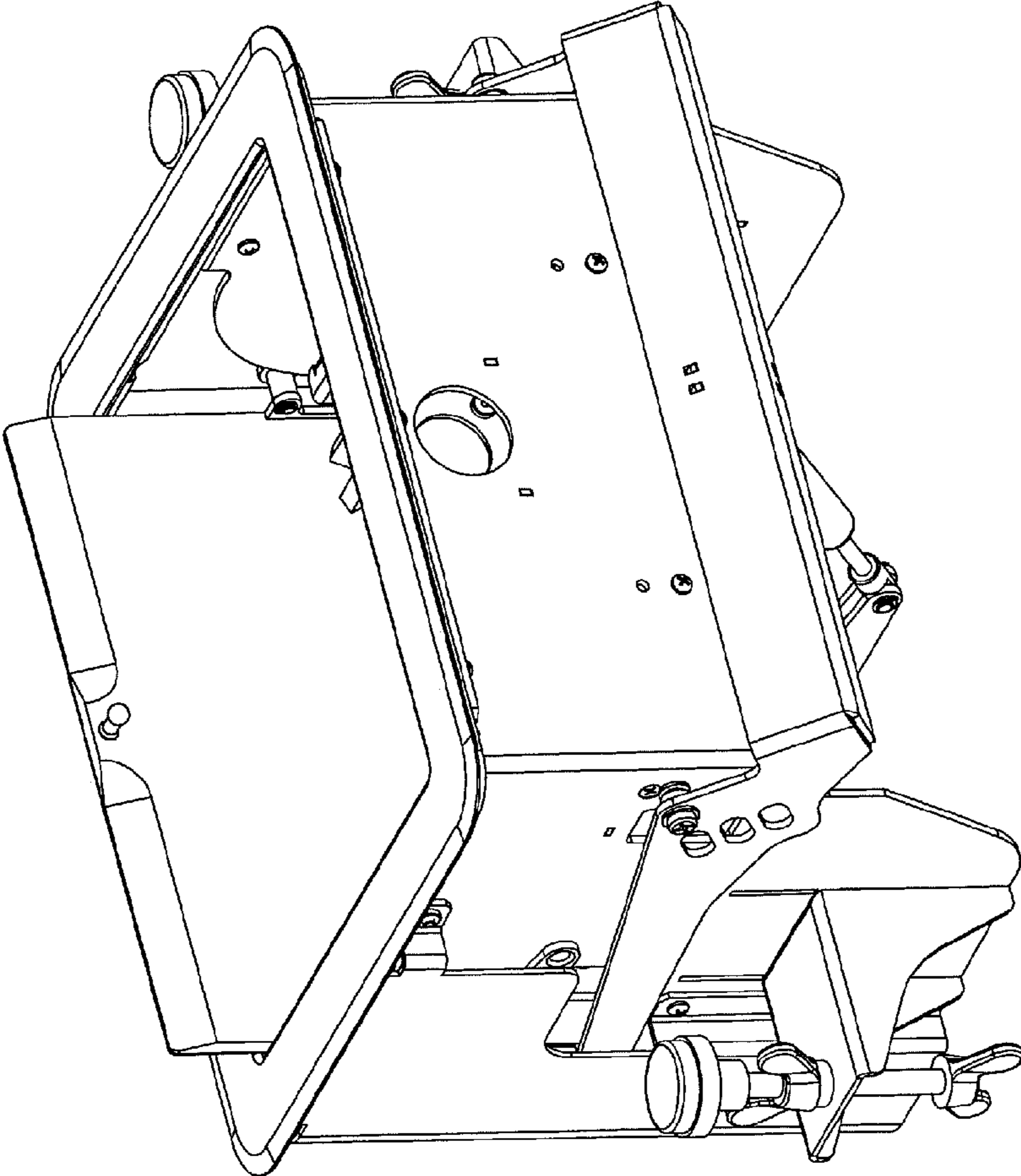


FIG. 2

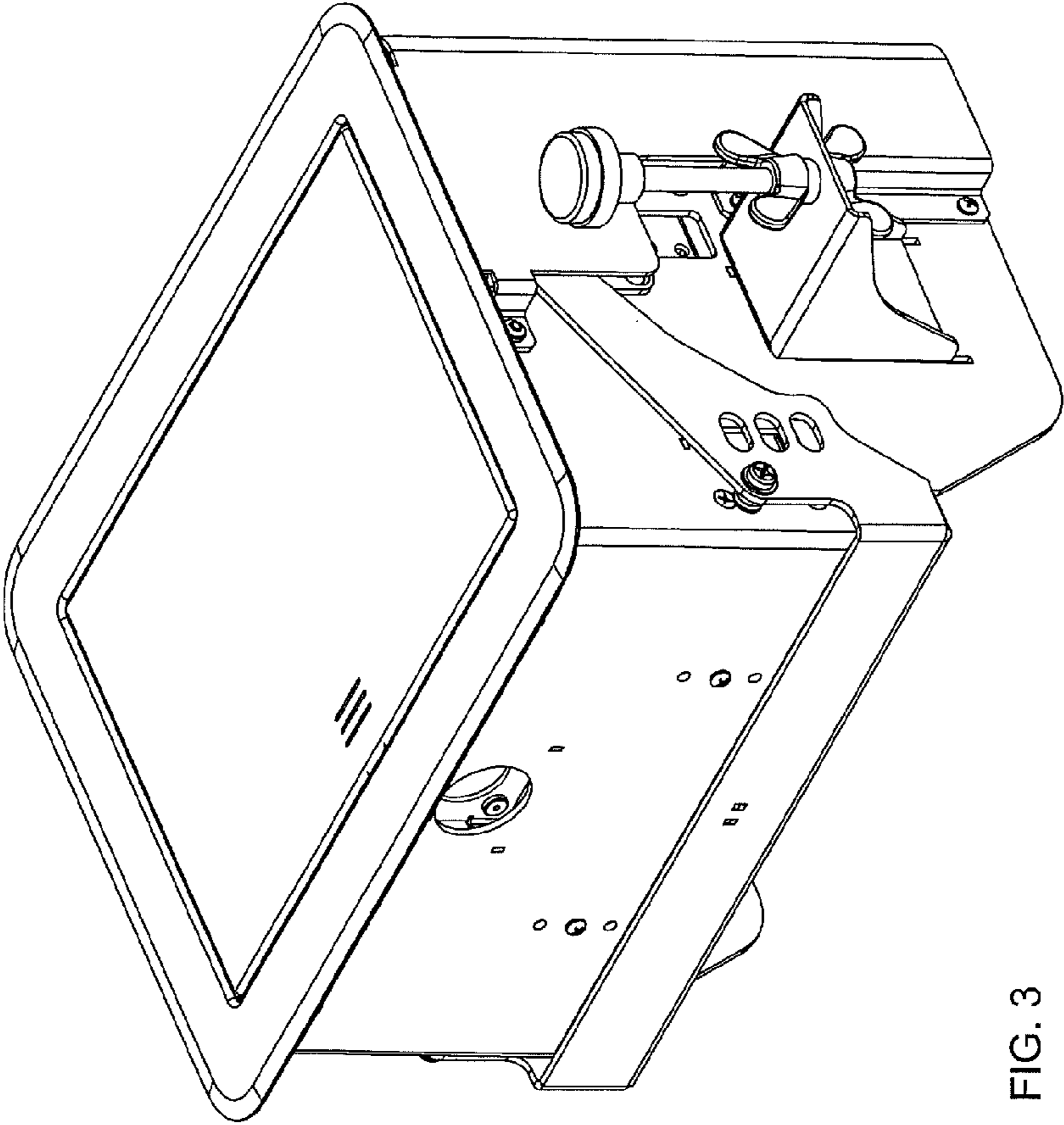


FIG. 3

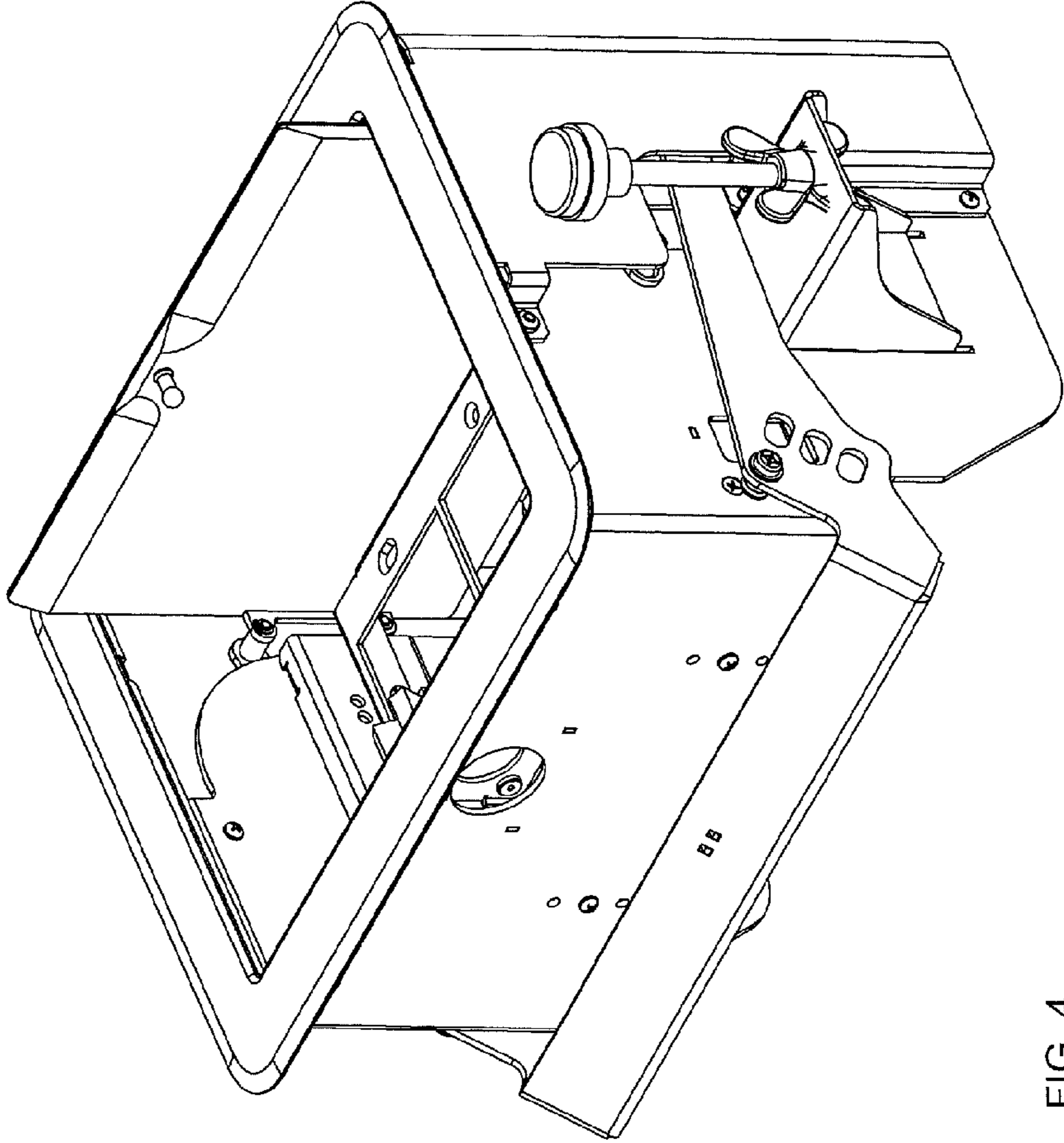


FIG. 4

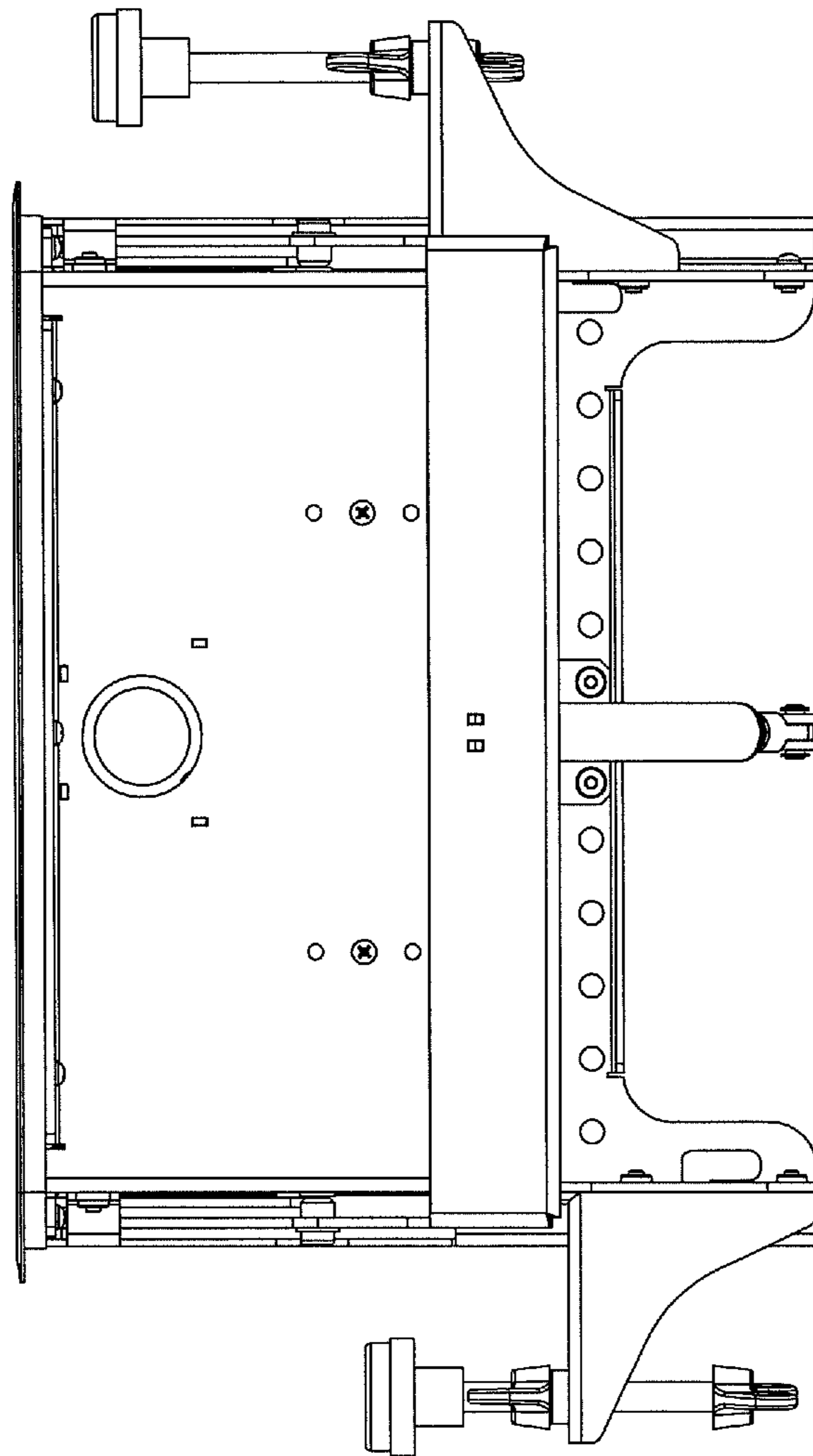


FIG. 5

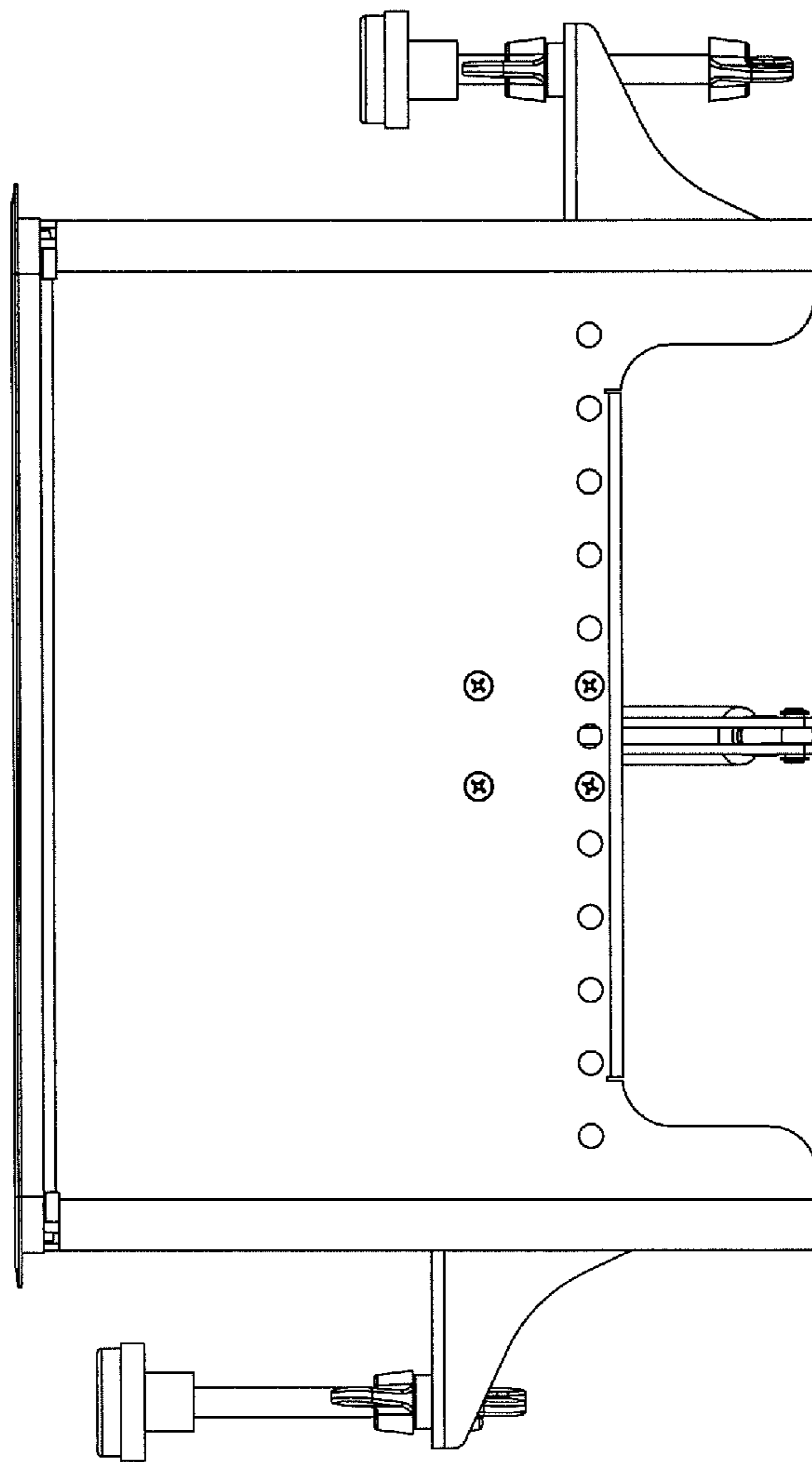


FIG. 6

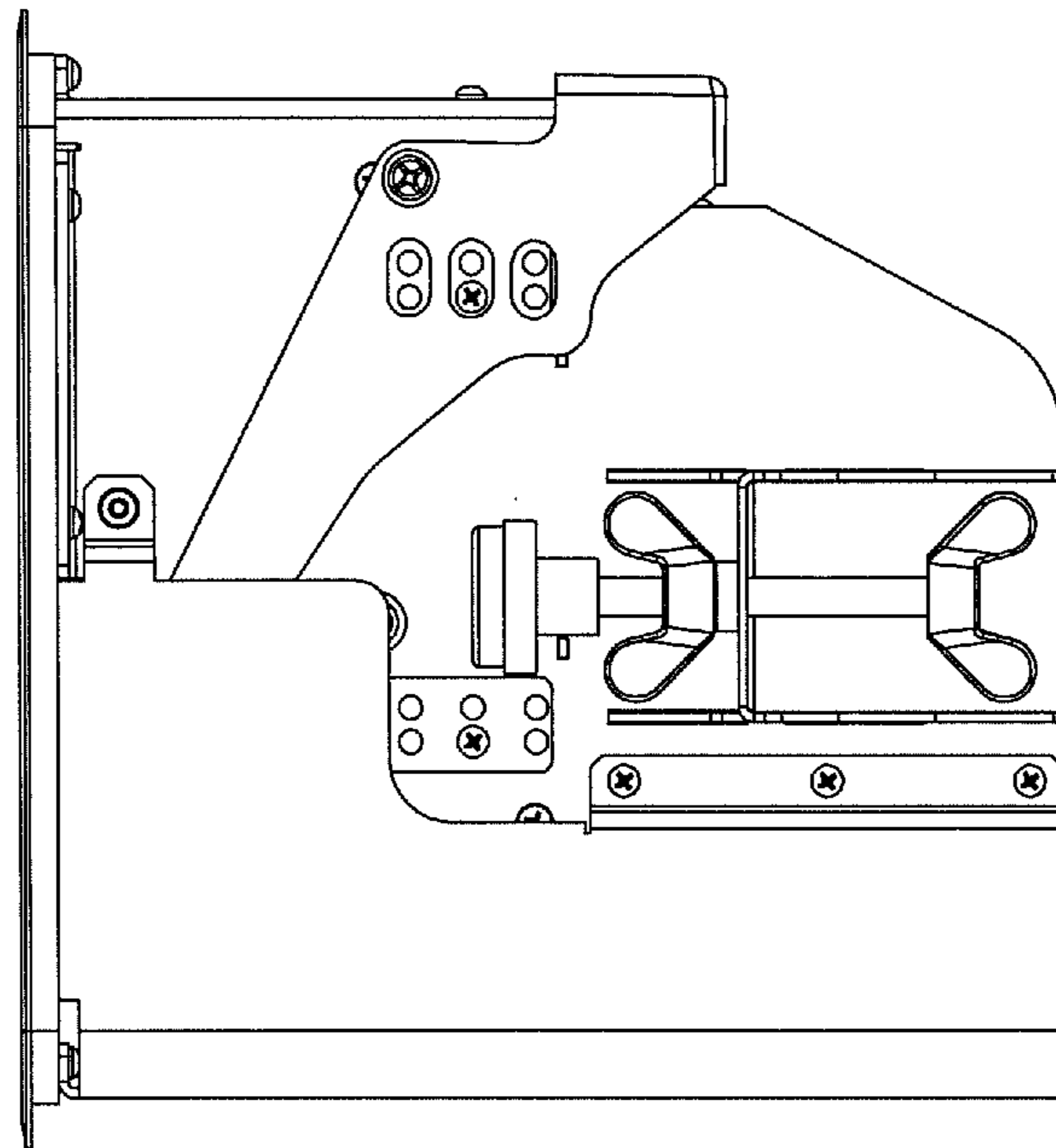


FIG. 7



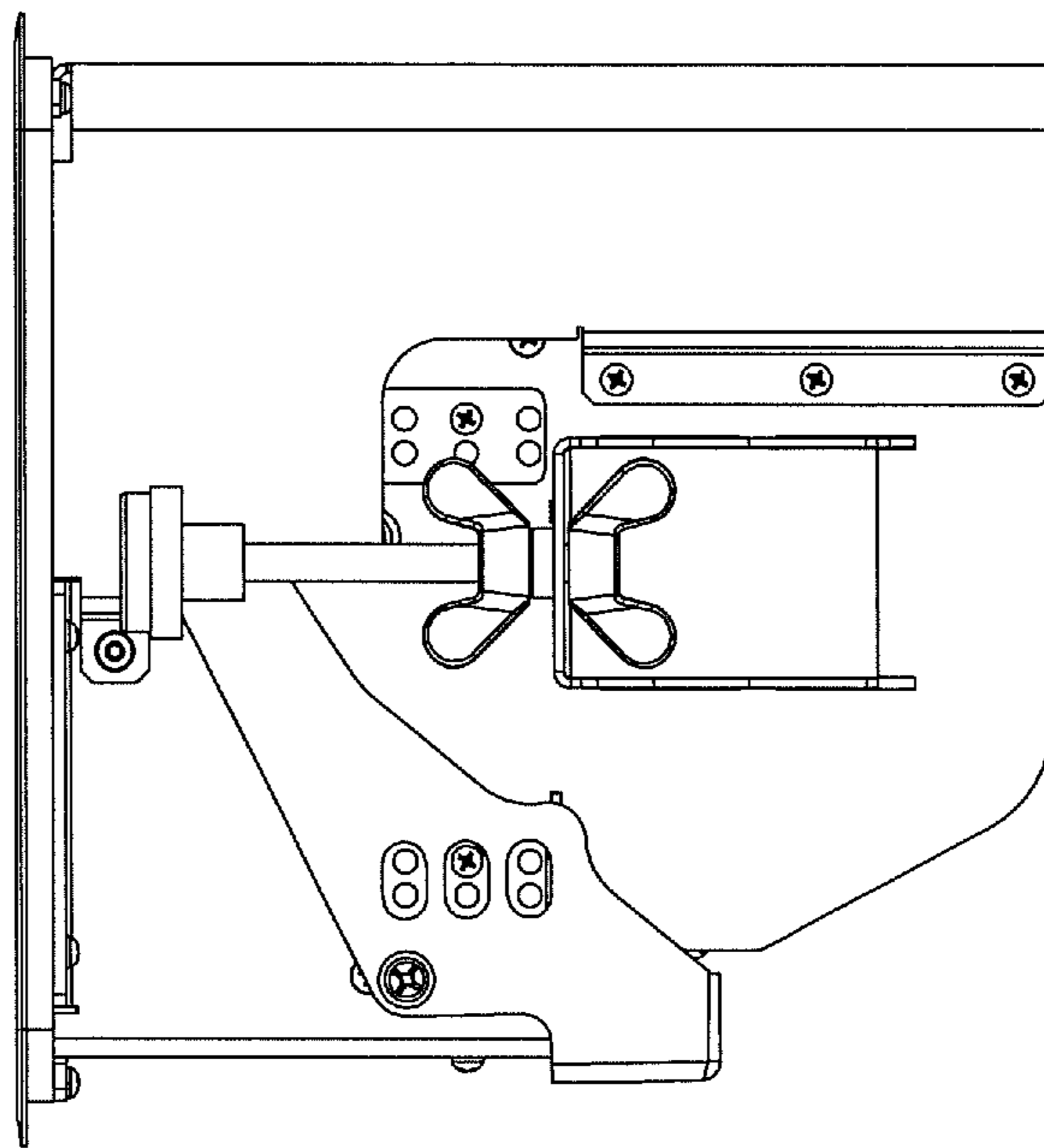


FIG. 8

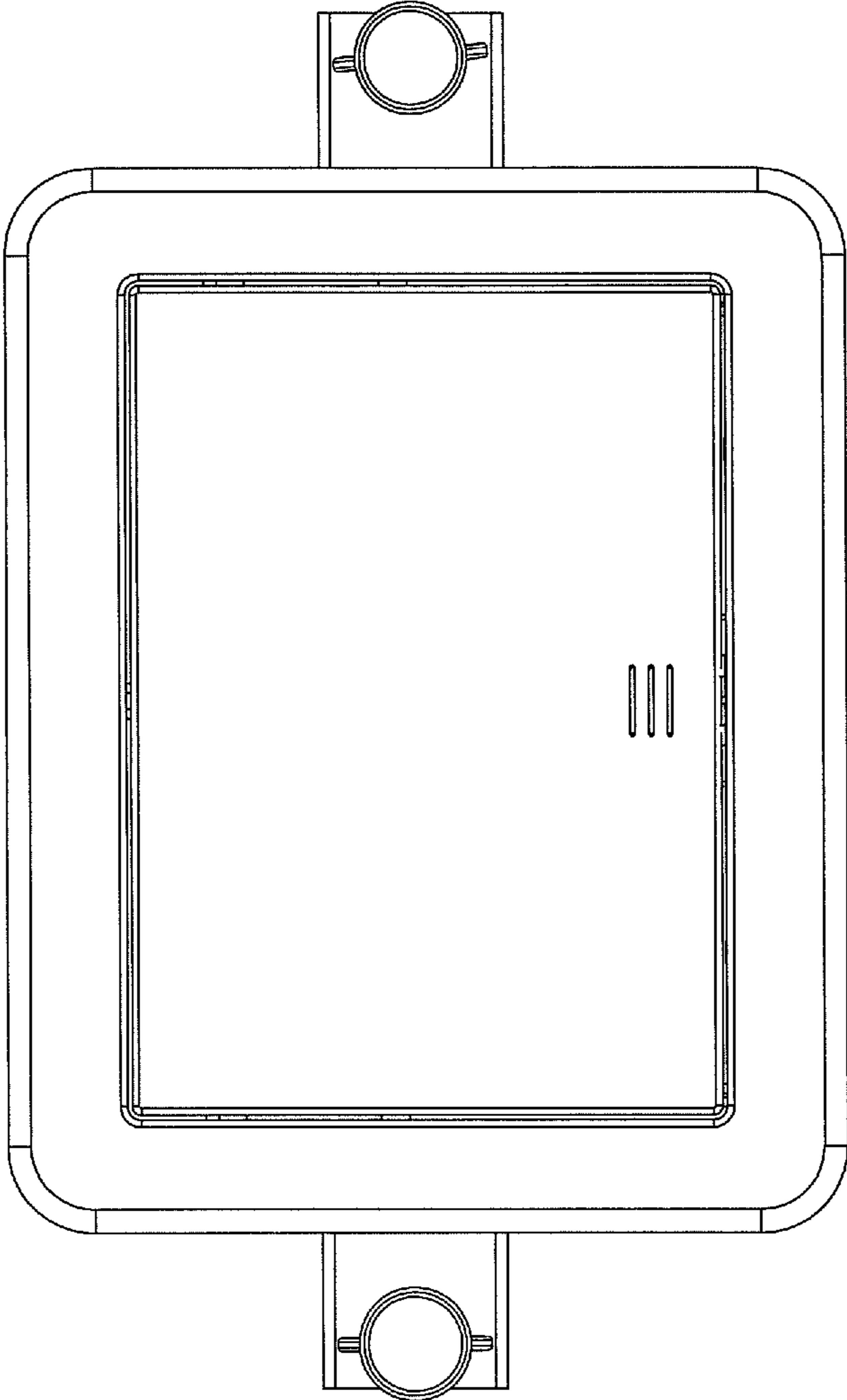


FIG. 9

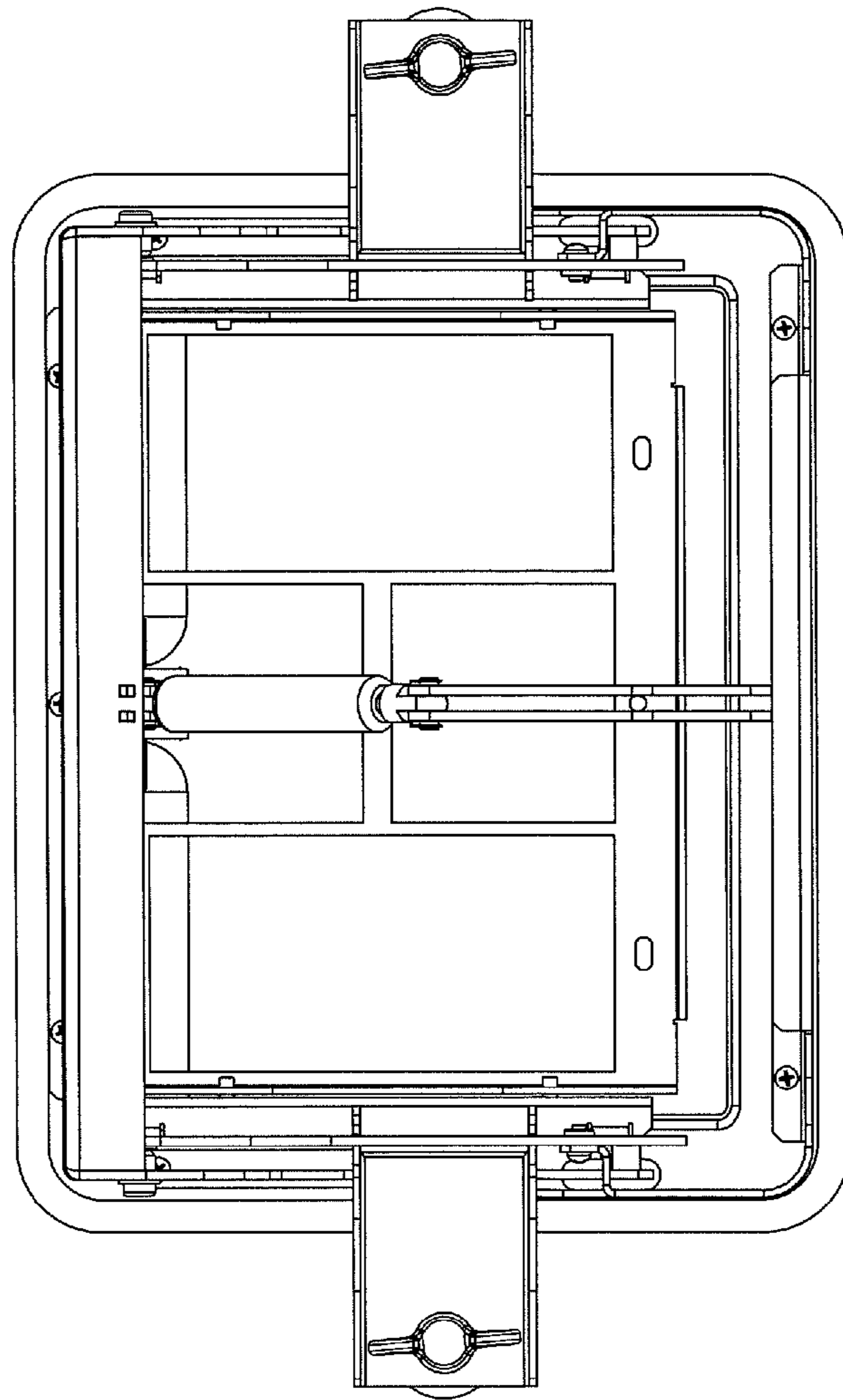


FIG. 10

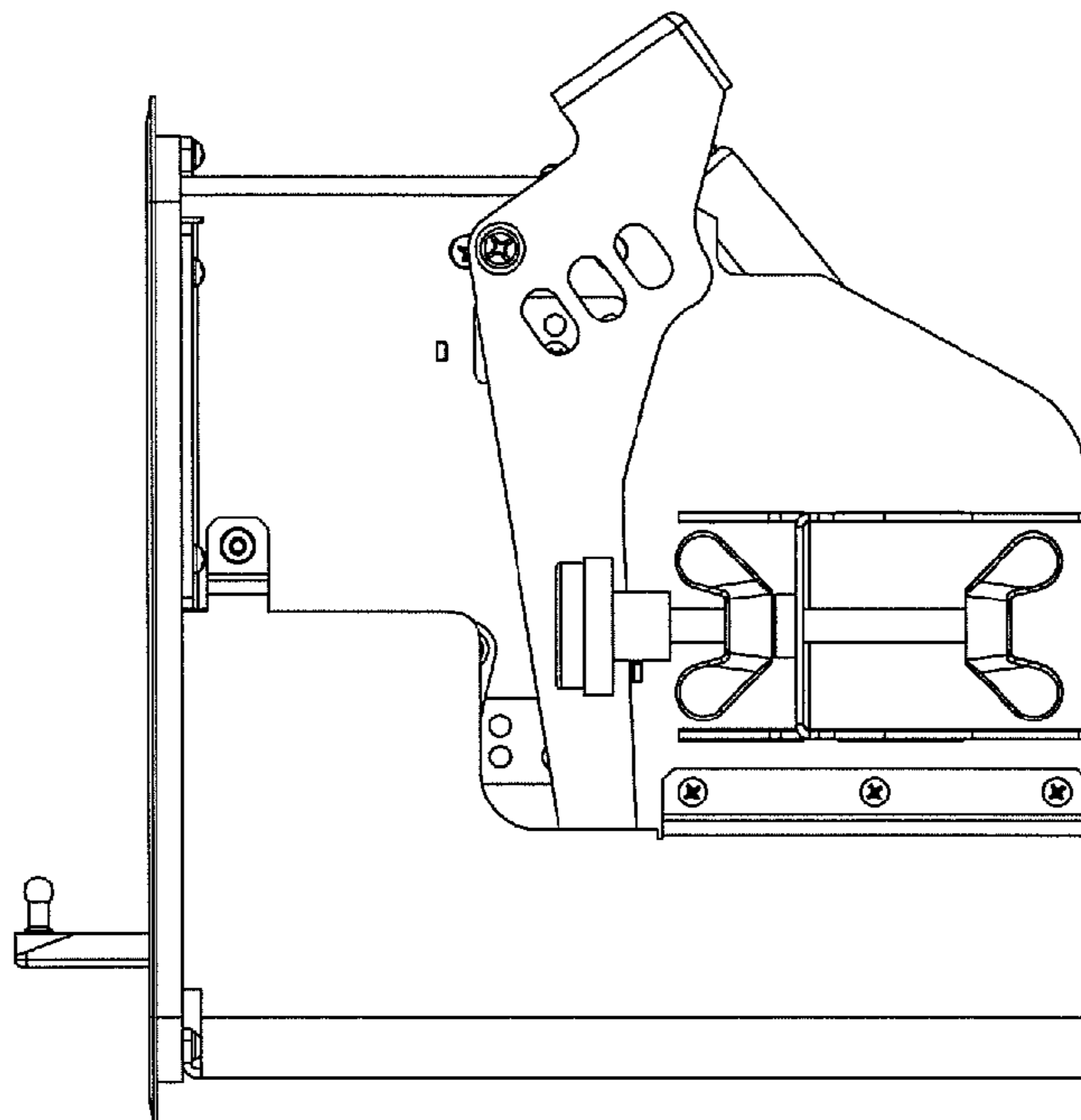


FIG. 11

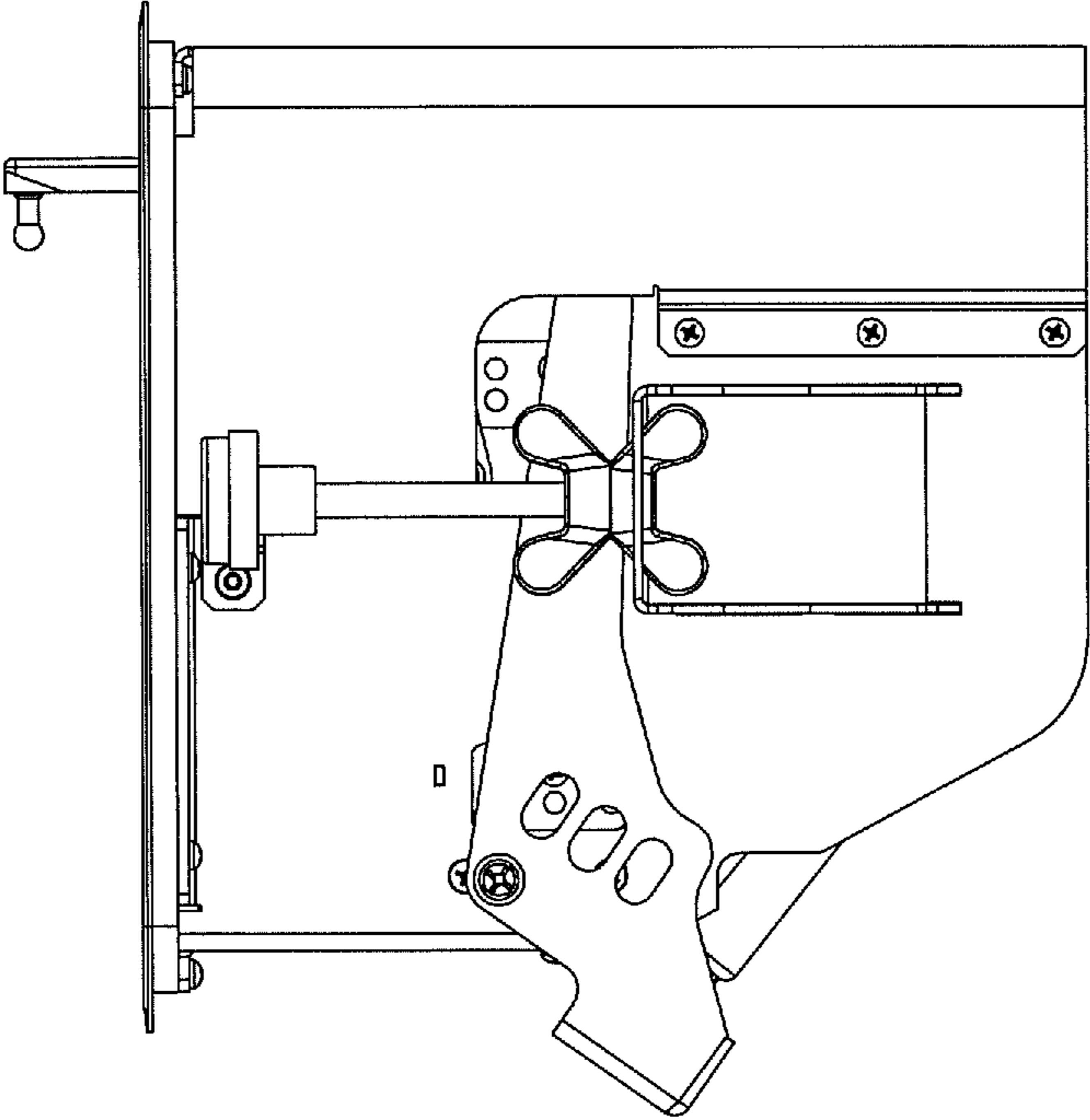


FIG. 12

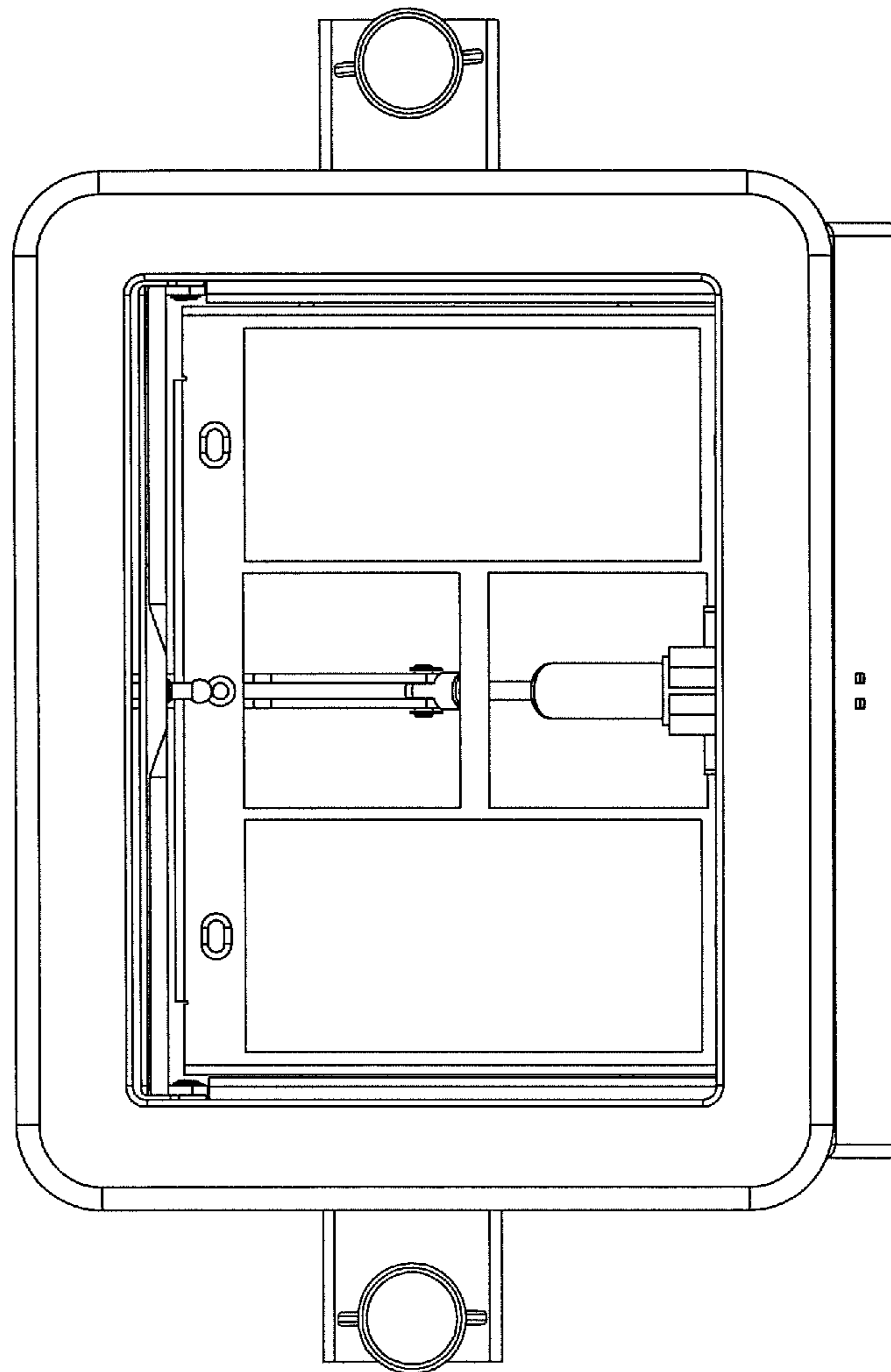


FIG. 13

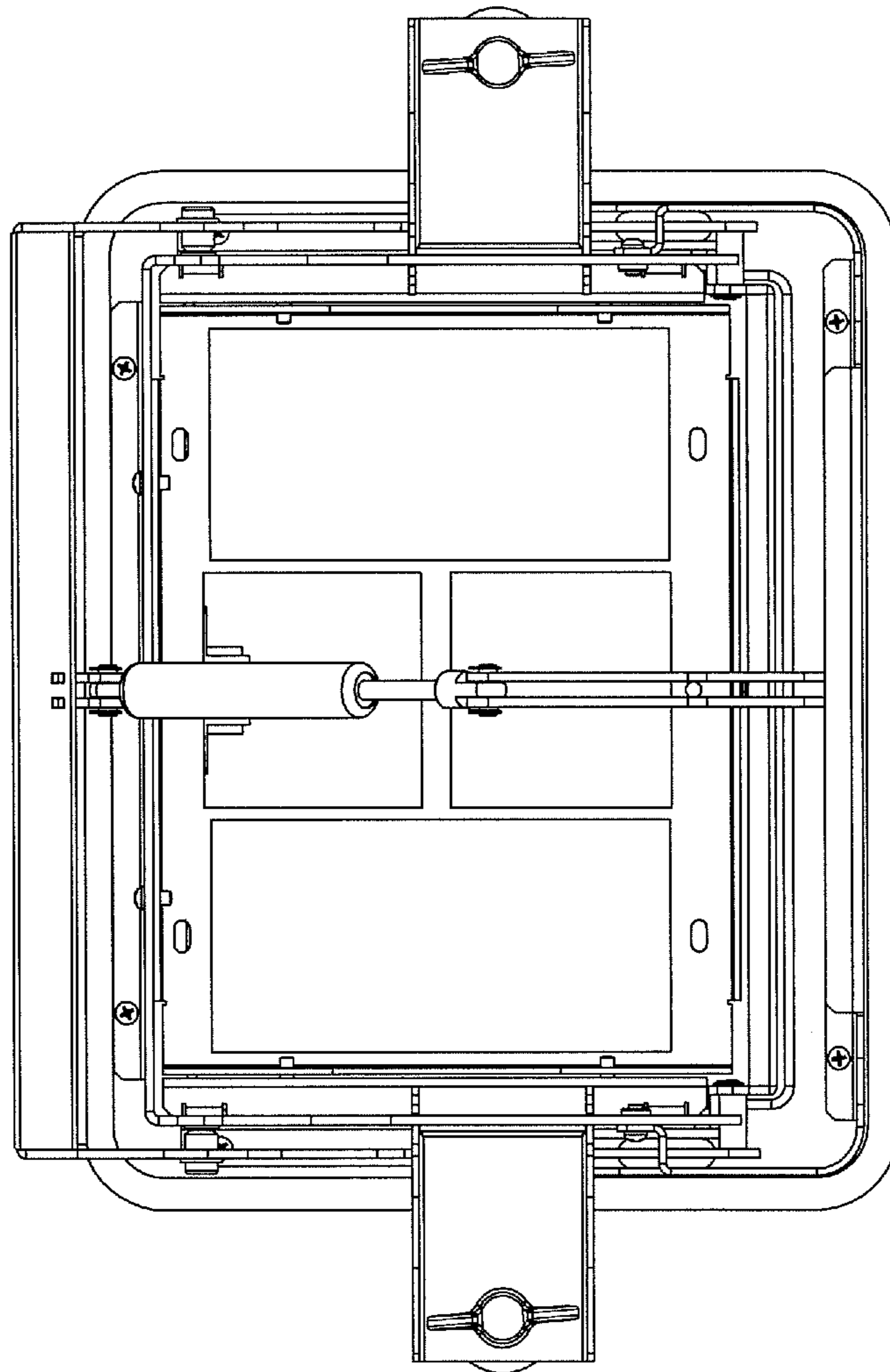


FIG. 14