



US00D686991S

(12) **United States Design Patent**  
**Eisen**

(10) **Patent No.:** **US D686,991 S**  
(45) **Date of Patent:** **\*\* Jul. 30, 2013**

(54) **CONNECTING DEVICE**

(75) Inventor: **Yagel Eisen**, Jerusalem (IL)

(73) Assignee: **Kramer Electronics Ltd.**, Jerusalem (IL)

(\*\*) Term: **14 Years**

(21) Appl. No.: **29/420,011**

(22) Filed: **May 3, 2012**

(30) **Foreign Application Priority Data**

Jan. 8, 2012 (IL) ..... 52029

(51) **LOC (9) Cl.** ..... **13-03**

(52) **U.S. Cl.**  
USPC ..... **D13/133; D13/152**

(58) **Field of Classification Search**  
USPC ..... D13/123, 133, 146, 147, 152, 154,  
D13/184, 199; 439/82, 83, 409, 412, 413,  
439/567, 636, 660, 692, 709, 715, 716, 844,  
439/849, 850-852, 857, 862, 865-867, 870,  
439/877, 884-891; 361/823

See application file for complete search history.

(56) **References Cited**

**U.S. PATENT DOCUMENTS**

D454,540 S \* 3/2002 Sifter et al. .... D13/123  
6,469,249 B2 \* 10/2002 Capella ..... 174/66  
D499,070 S \* 11/2004 Lavington ..... D13/119

D517,988 S \* 3/2006 Ihde et al. .... D13/119  
D539,229 S \* 3/2007 Murphey ..... D13/155  
D562,229 S \* 2/2008 Peters ..... D13/103  
D596,123 S \* 7/2009 Yang ..... D13/133  
D610,101 S \* 2/2010 Spivey ..... D13/182  
D671,500 S \* 11/2012 Ketter et al. .... D13/149  
D676,385 S \* 2/2013 Gassauer ..... D13/133  
2006/0060368 A1 \* 3/2006 Dinh ..... 174/48  
2008/0220657 A1 \* 9/2008 Rascon et al. .... 439/676

\* cited by examiner

*Primary Examiner* — Thomas Johannes

(74) *Attorney, Agent, or Firm* — Westman, Champlin & Kelly, P.A.; Z. Peter Sawicki

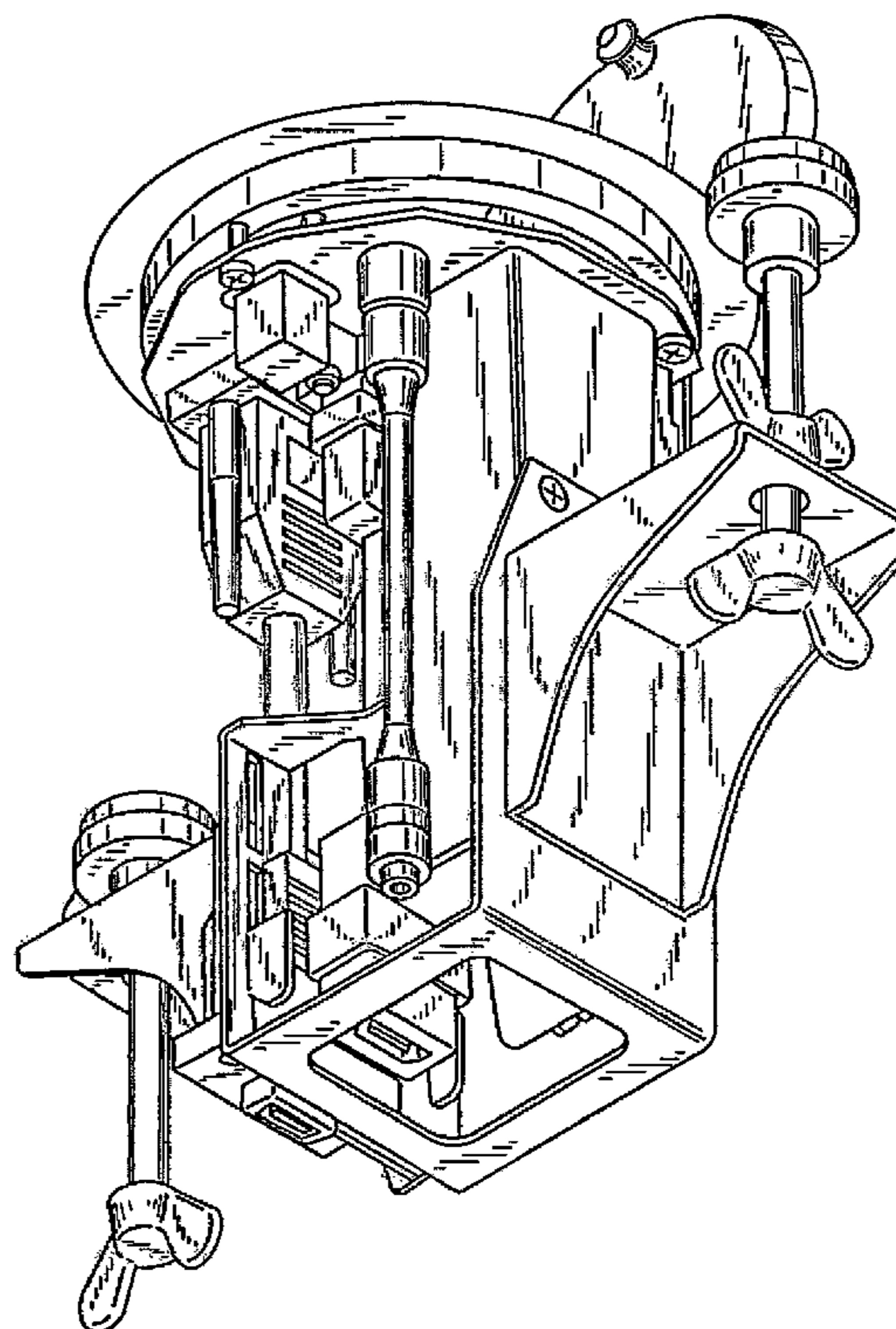
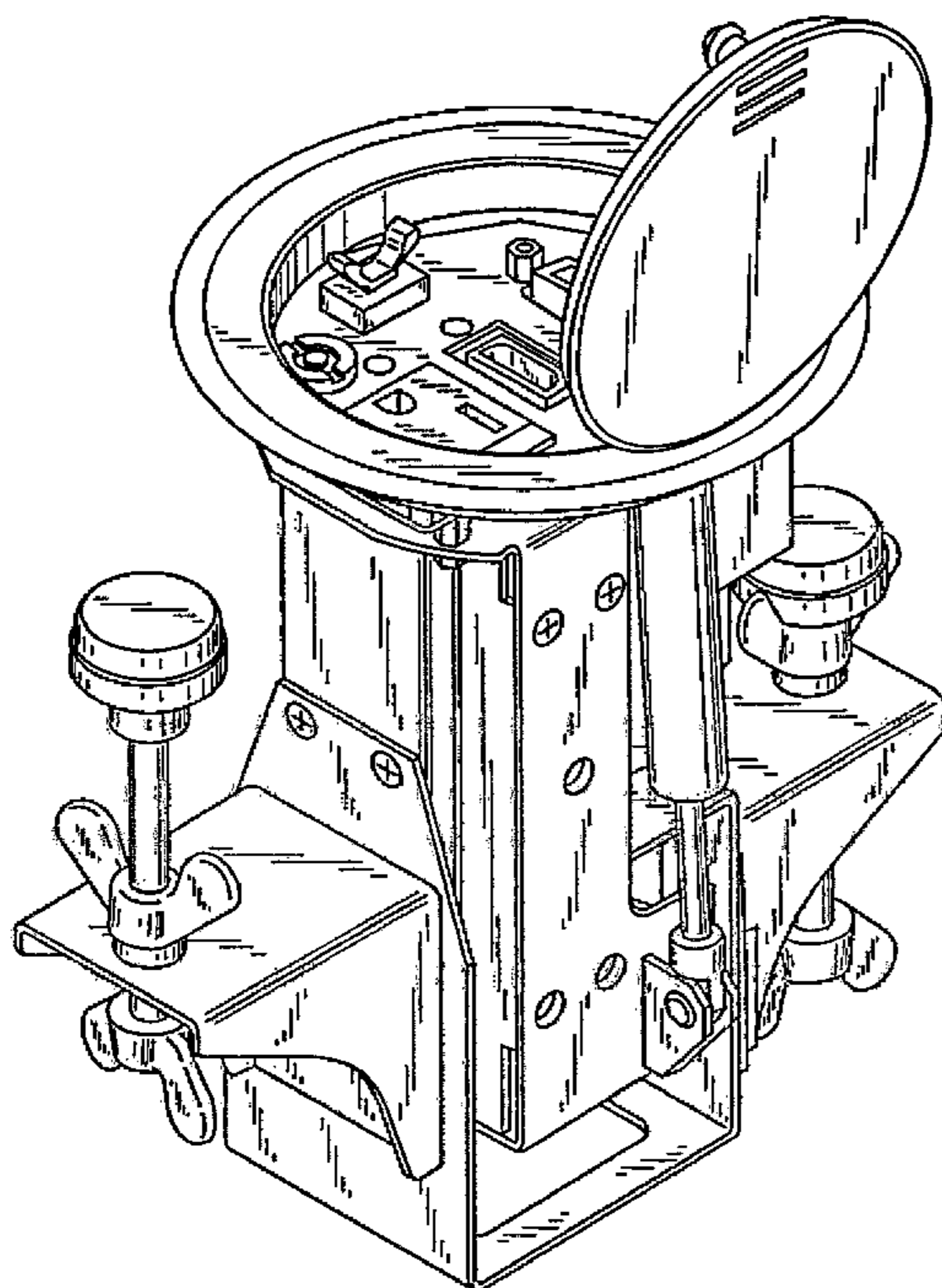
(57) **CLAIM**

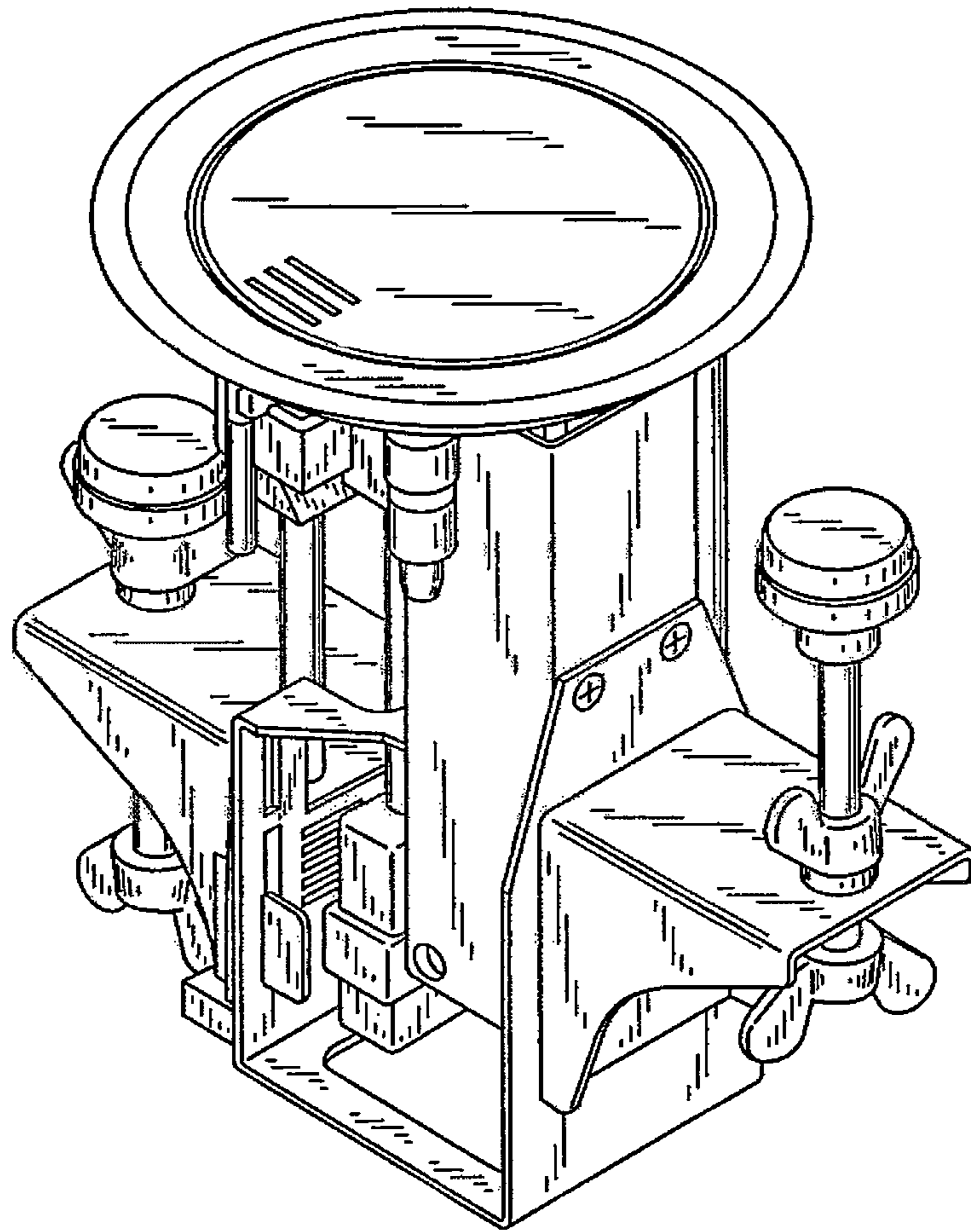
The ornamental design for a connecting device, as shown and described.

**DESCRIPTION**

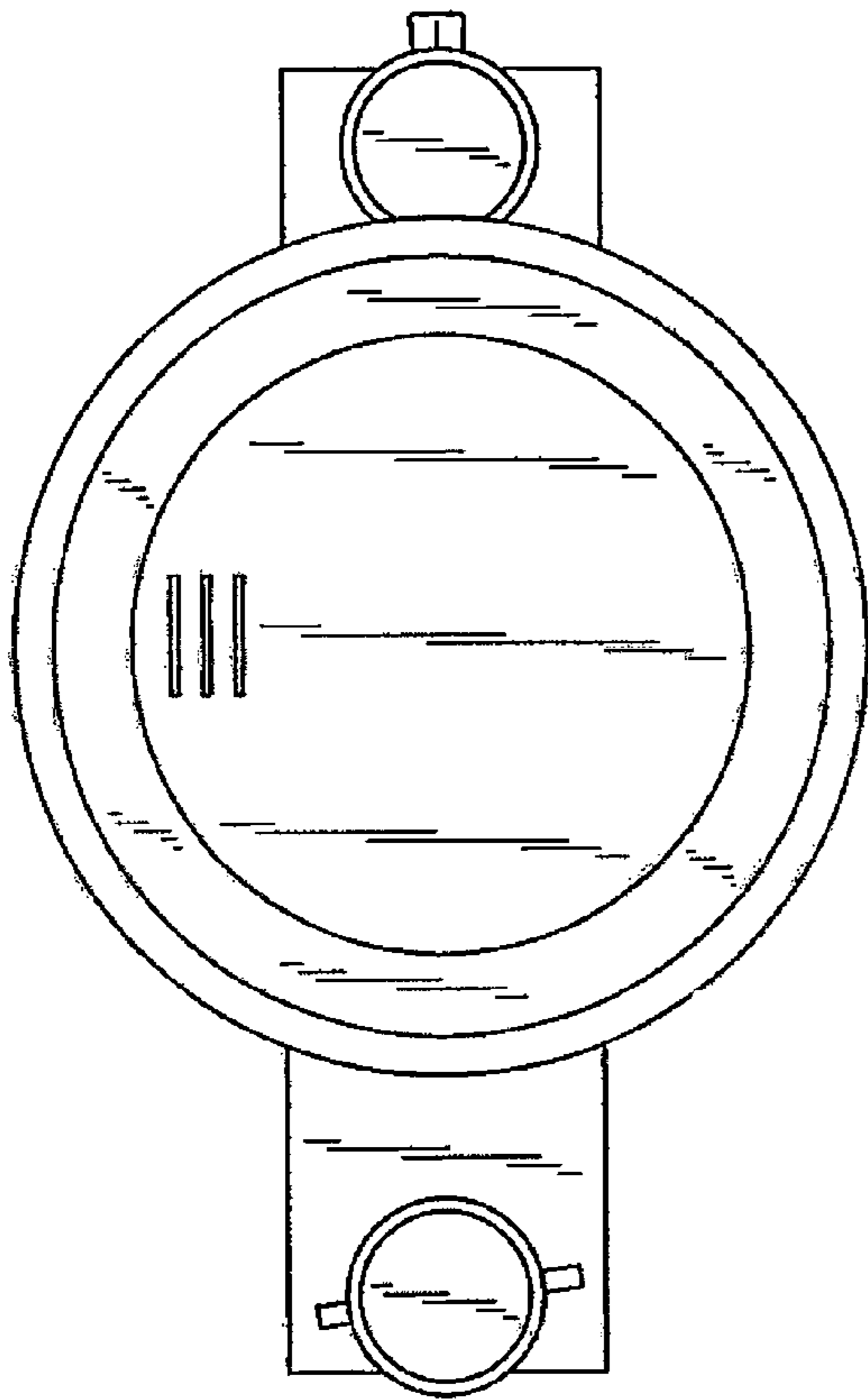
FIG. 1 is a front perspective view of a connecting device showing my new design.  
FIG. 2 is a top view thereof.  
FIG. 3 is a right side view thereof.  
FIG. 4 is a back perspective view thereof with cover open.  
FIG. 5 is a top view thereof.  
FIG. 6 is a right side view thereof.  
FIG. 7 is a bottom view thereof.  
FIG. 8 is a left side view thereof.  
FIG. 9 is a back view thereof; and,  
FIG. 10 is a bottom perspective view thereof.

**1 Claim, 7 Drawing Sheets**

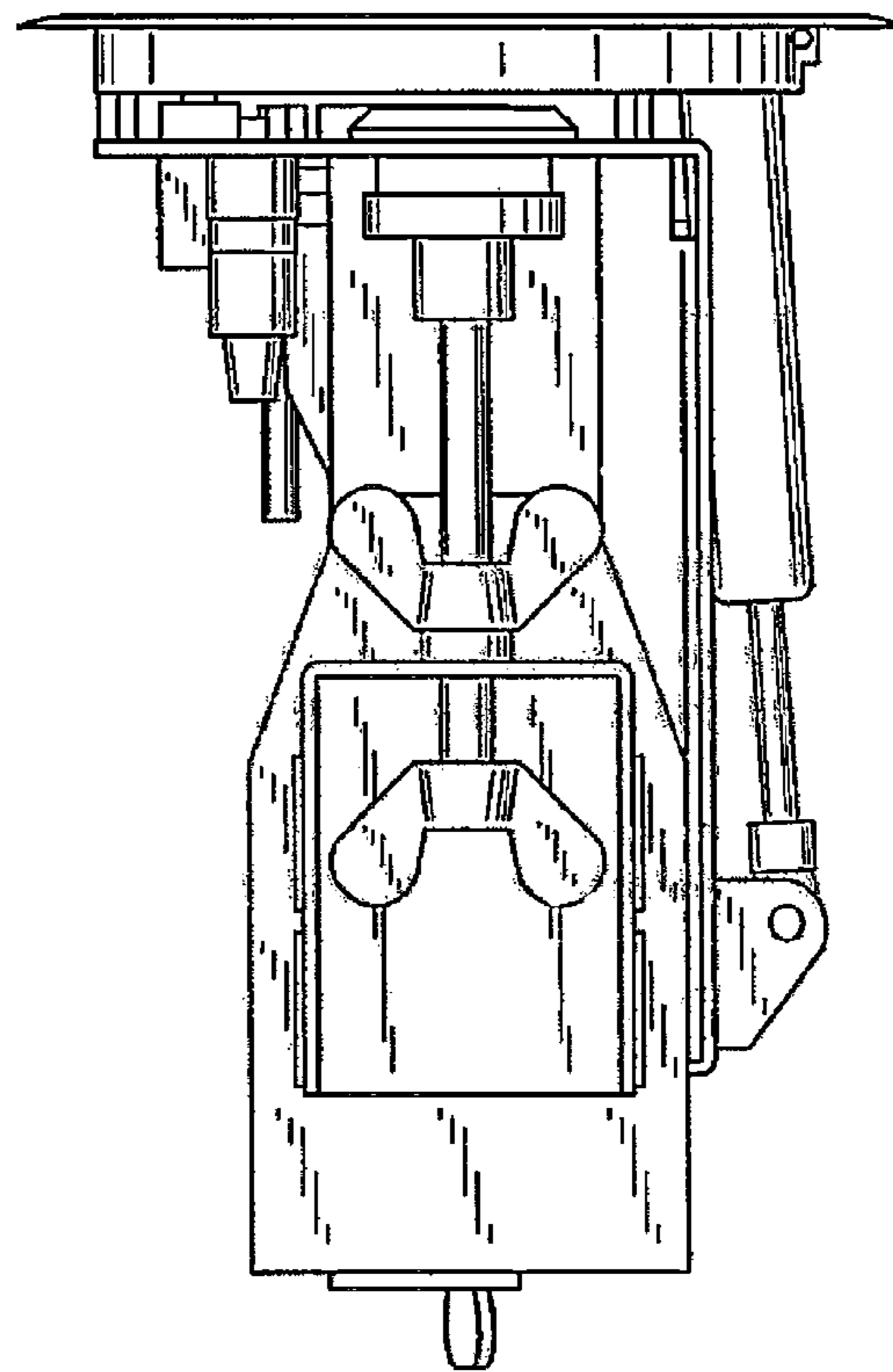




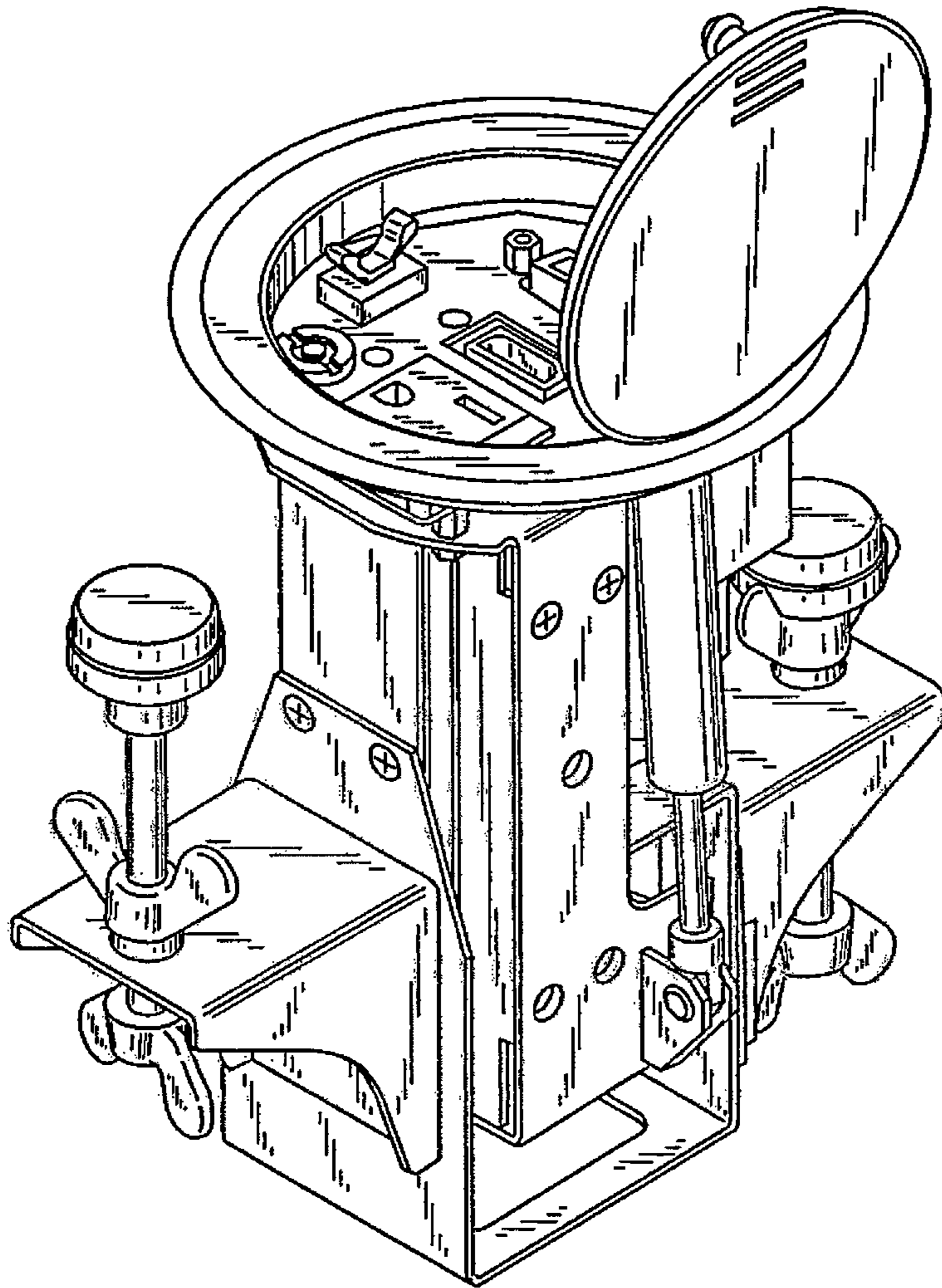
*Fig. 1*



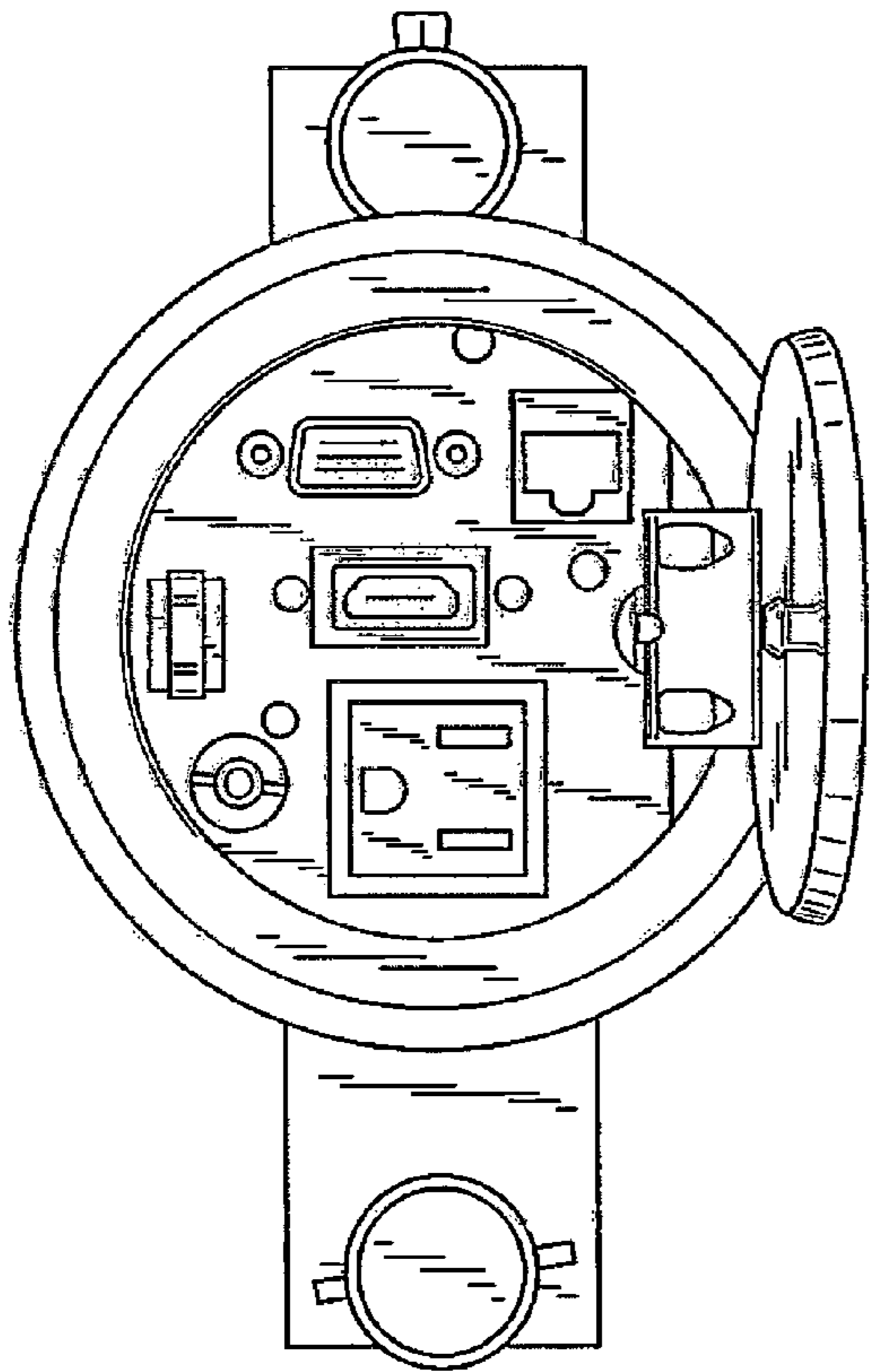
*Fig. 2*



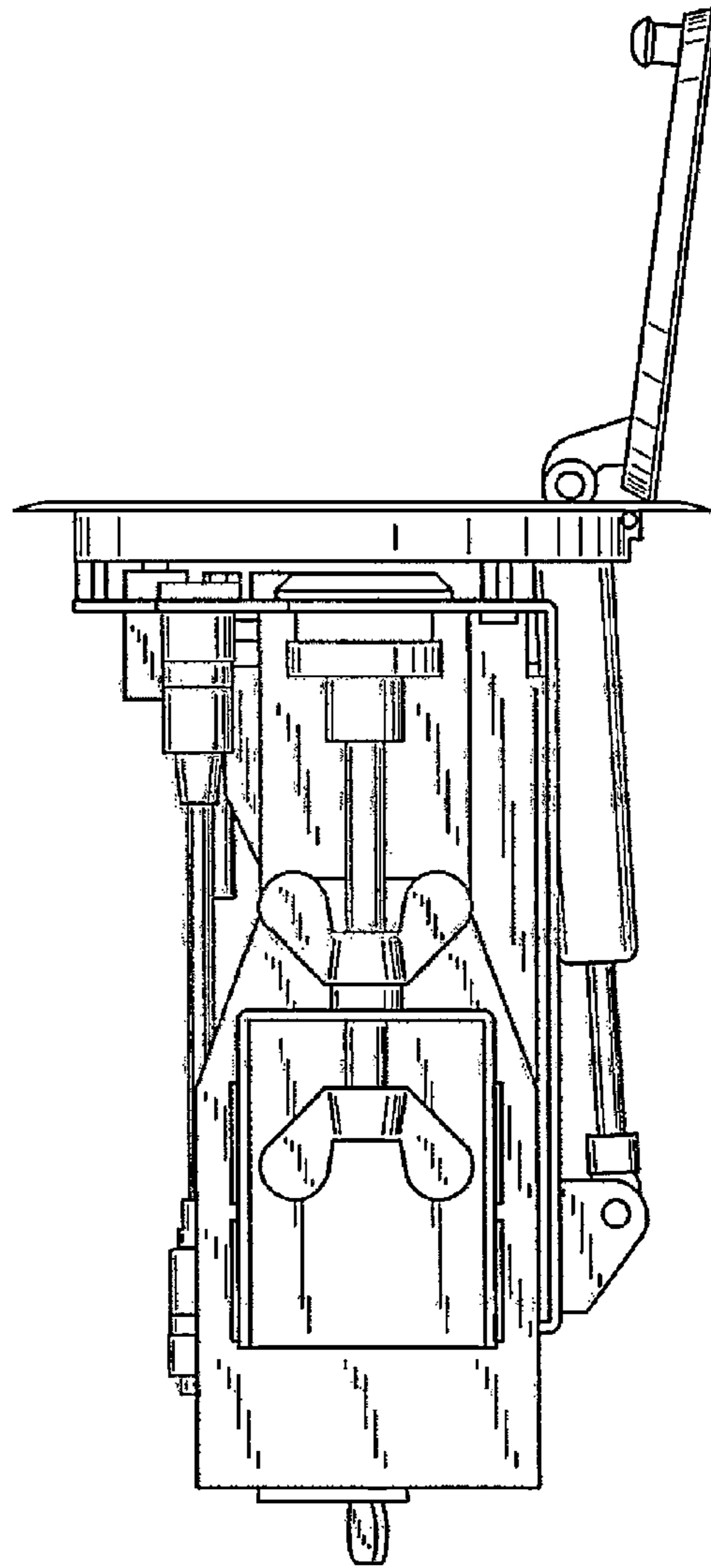
*Fig. 3*



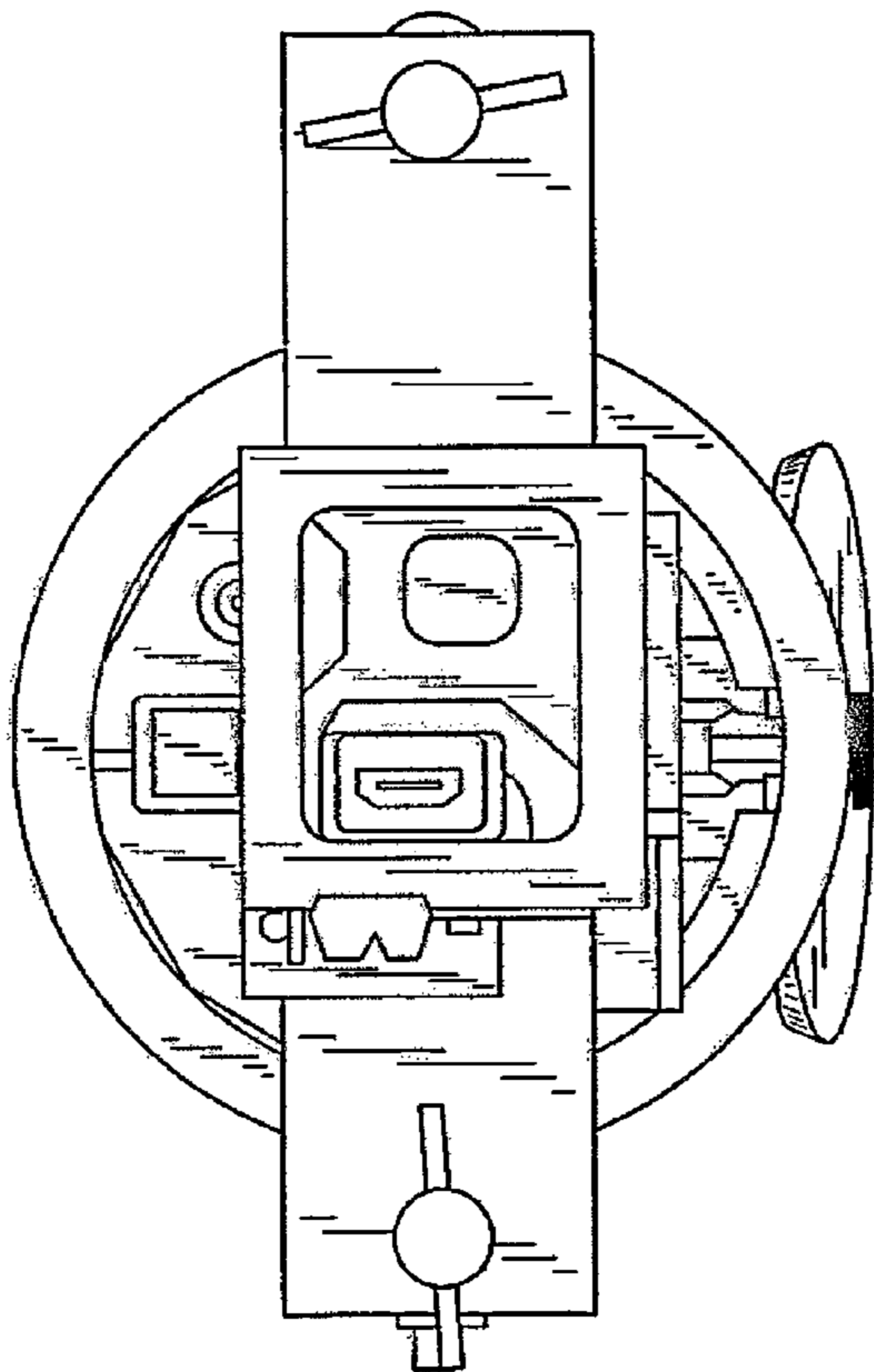
*Fig. 4*



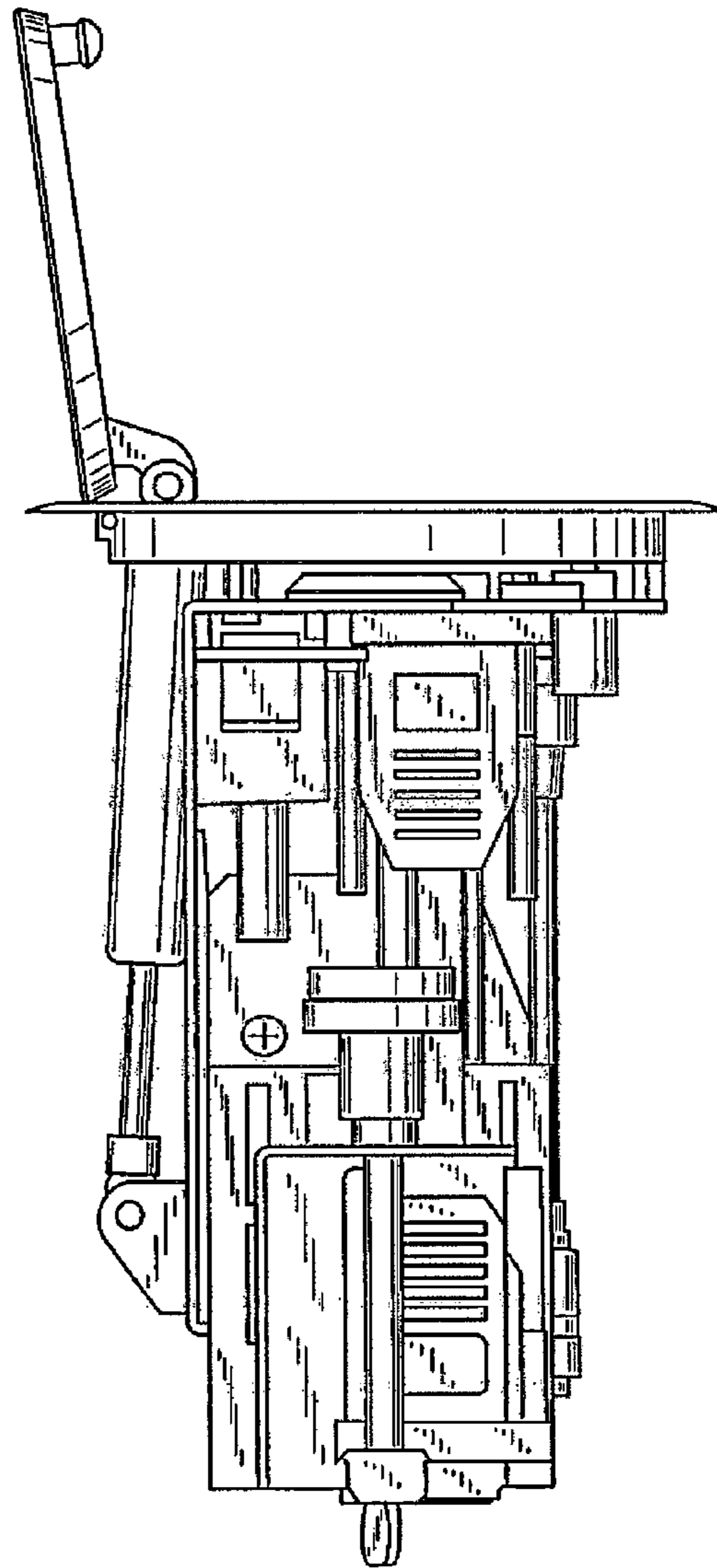
*Fig. 5*



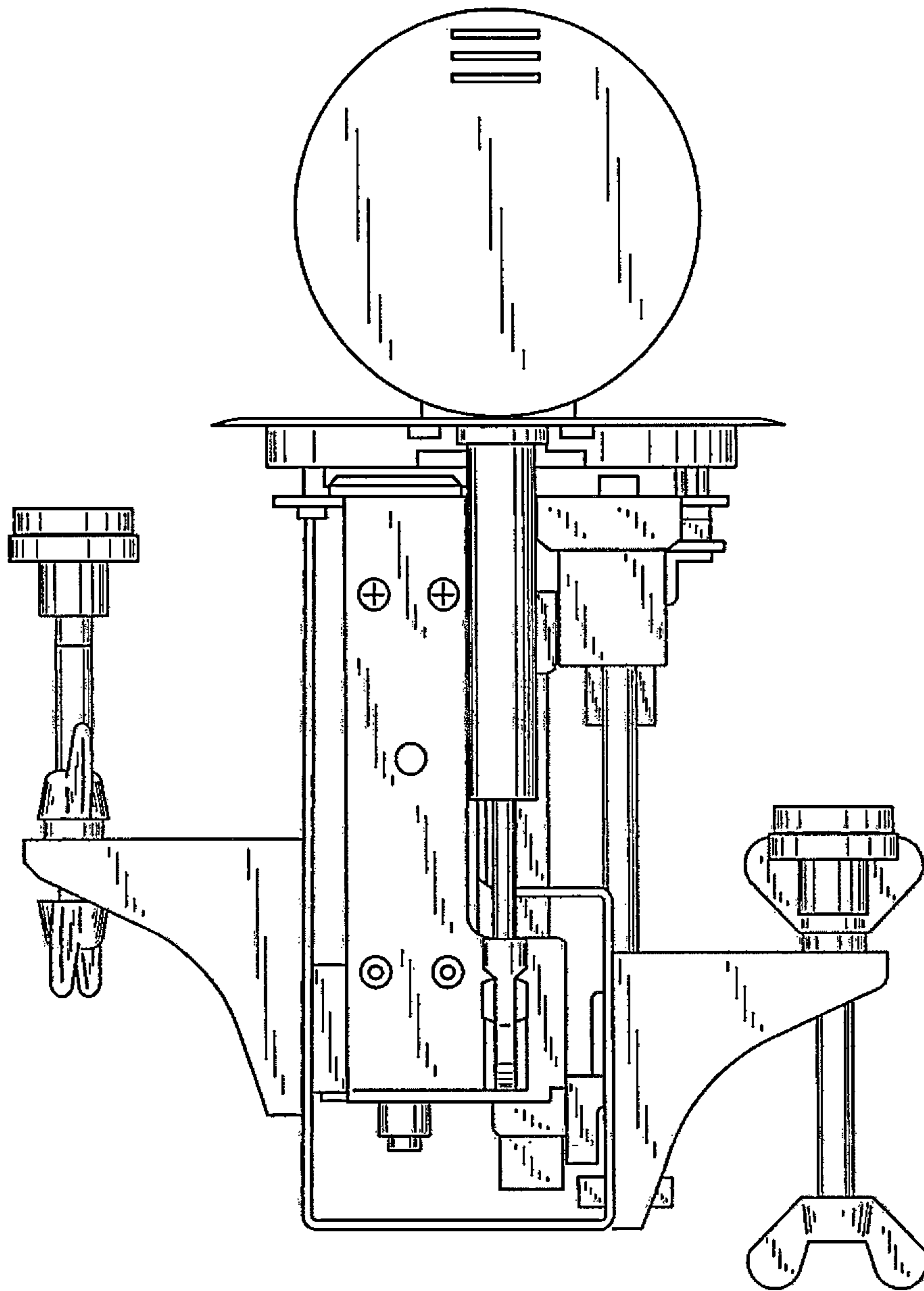
*Fig. 6*



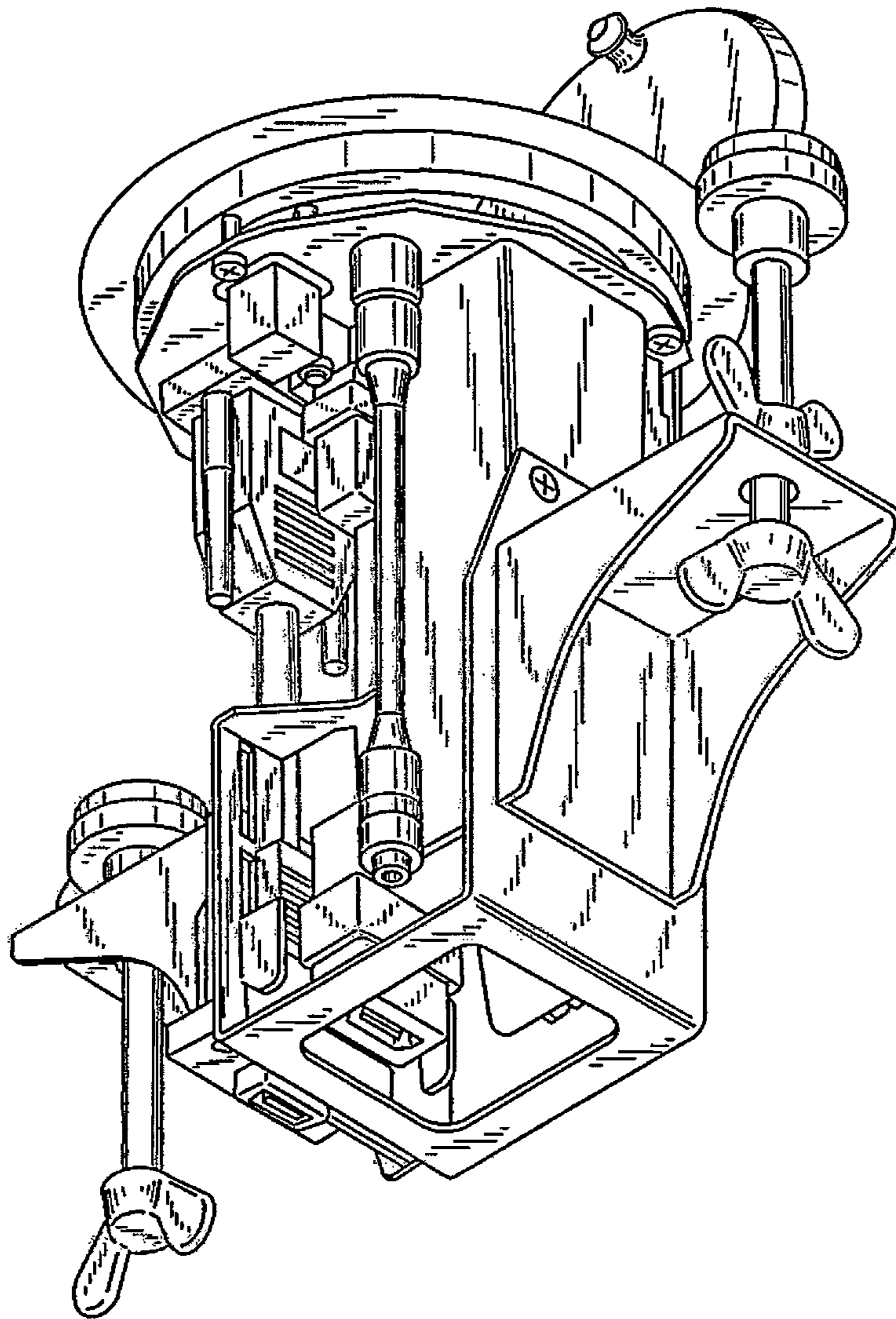
*Fig. 7*



*Fig. 8*



*Fig. 9*



*Fig. 10*