



US00D686990S

(12) **United States Design Patent**
Kikuchi et al.

(10) **Patent No.:** **US D686,990 S**

(45) **Date of Patent:** **** Jul. 30, 2013**

(54) **BRUSHLESS MOTOR**

(75) Inventors: **Noriyoshi Kikuchi**, Gumma (JP);
Akinori Kojima, Gumma (JP); **Eiji Kaneko**, Gumma (JP)

(73) Assignee: **Nidec Servo Corporation**, Gumma (JP)

(**) Term: **14 Years**

(21) Appl. No.: **29/426,945**

(22) Filed: **Jul. 12, 2012**

(30) **Foreign Application Priority Data**

Jan. 31, 2012 (JP) 2012-001851

(51) **LOC (9) Cl.** **13-01**

(52) **U.S. Cl.**
USPC **D13/112**

(58) **Field of Classification Search**
USPC D13/112, 113, 114, 122, 199; D15/3,
D15/5, 199; 74/606 R, 609; 310/10, 40 R,
310/42, 49.37, 51, 52, 58, 64, 71, 80, 83,
310/85, 88, 89, 91, 109, 236, 239, 254; 318/245,
318/255; 322/16, 39; 361/688, 704, 709;
29/596-598

See application file for complete search history.

(56) **References Cited**

U.S. PATENT DOCUMENTS

4,988,905 A * 1/1991 Tolmie, Jr. 310/68 B
D424,516 S * 5/2000 Friedrichsen D13/112

D457,493 S * 5/2002 Borges D13/112
6,593,674 B2 * 7/2003 Sanchez et al. 310/89
D573,091 S * 7/2008 Shih et al. D13/112
D597,943 S * 8/2009 Lin et al. D13/112
D610,988 S * 3/2010 Oohashi et al. D13/112
2011/0304225 A1 12/2011 Terashita et al.

OTHER PUBLICATIONS

Minebea Motor Manufacturing Corporation; "Hybrid Stepping Motors"; http://www.eminebea.com/content/html/en/hybrid_list/pdf/hybridall.pdf#page=1; downloaded Jul. 12, 2012.

* cited by examiner

Primary Examiner — Derrick Holland

(74) *Attorney, Agent, or Firm* — Keating & Bennett, LLP

(57) **CLAIM**

The ornamental design for a brushless motor, as shown and described.

DESCRIPTION

FIG. 1 is a front elevation view of a brushless motor according to our principal new design;
FIG. 2 is a rear elevation view thereof;
FIG. 3 is a right side elevation view thereof;
FIG. 4 is a left side elevation view thereof;
FIG. 5 is a top plan view thereof;
FIG. 6 is a bottom plan view thereof; and,
FIG. 7 is a perspective view thereof.
The broken lines in the drawings represent unclaimed environmental subject matter.

1 Claim, 7 Drawing Sheets

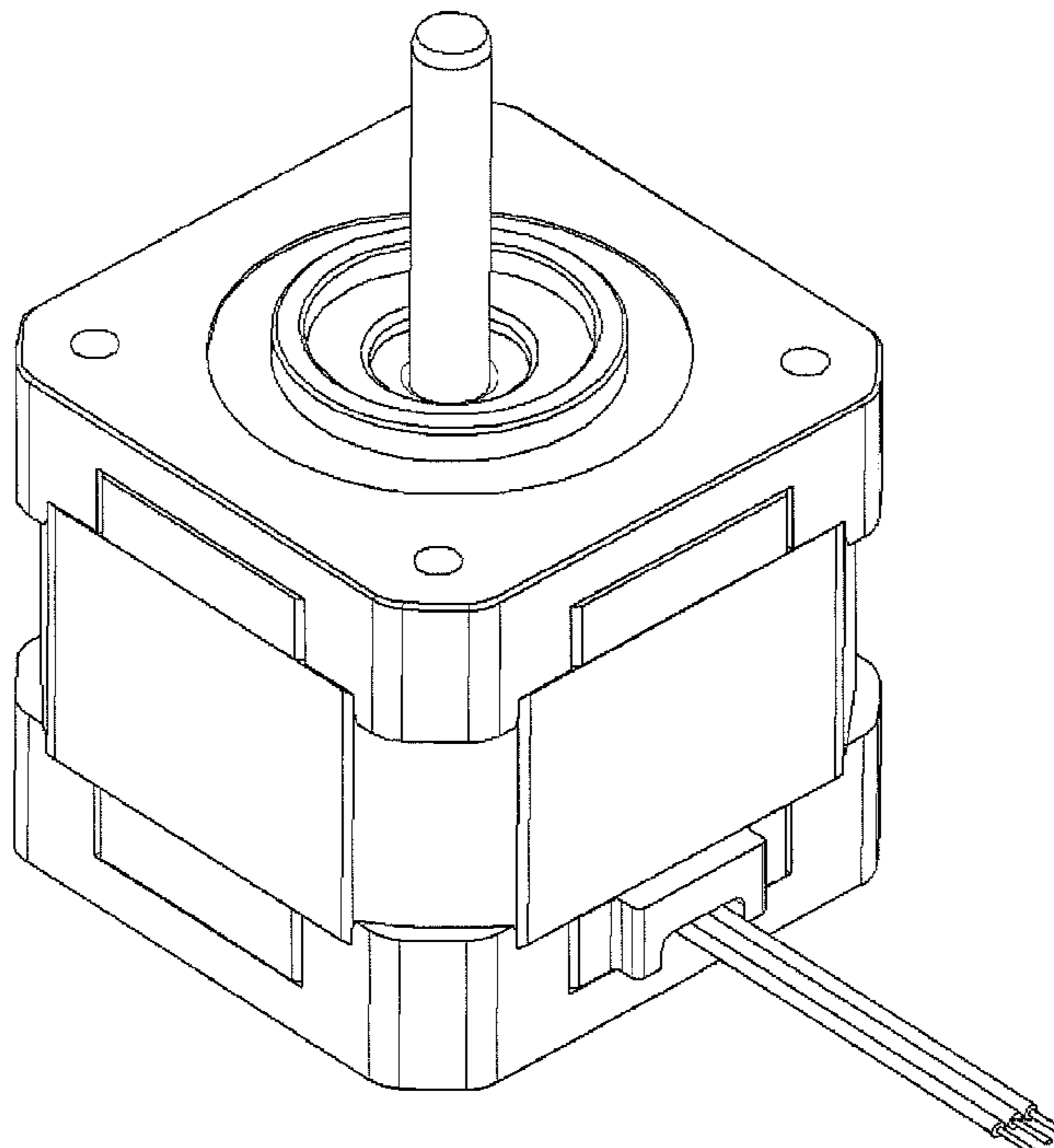


FIG. 1

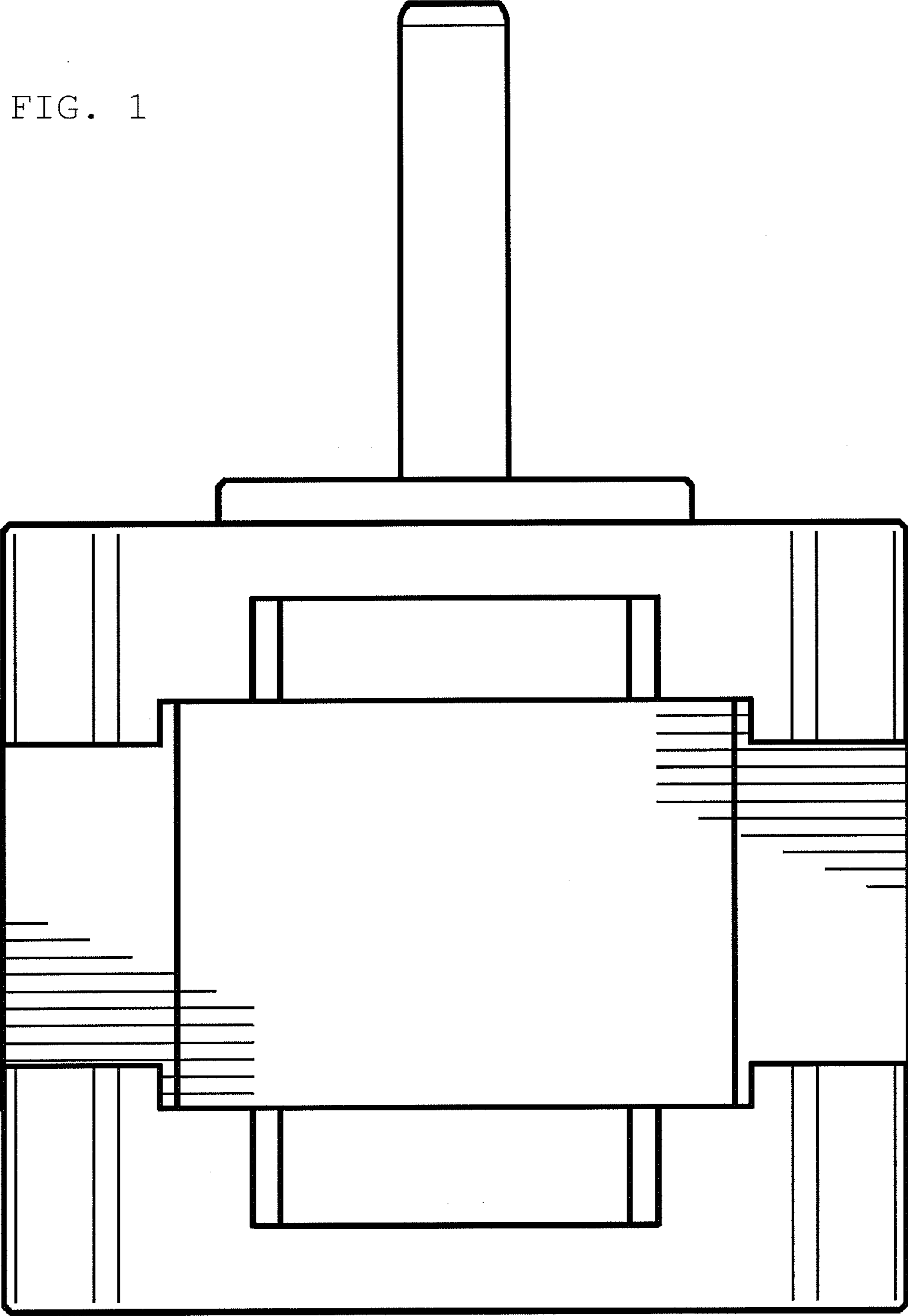


FIG. 2

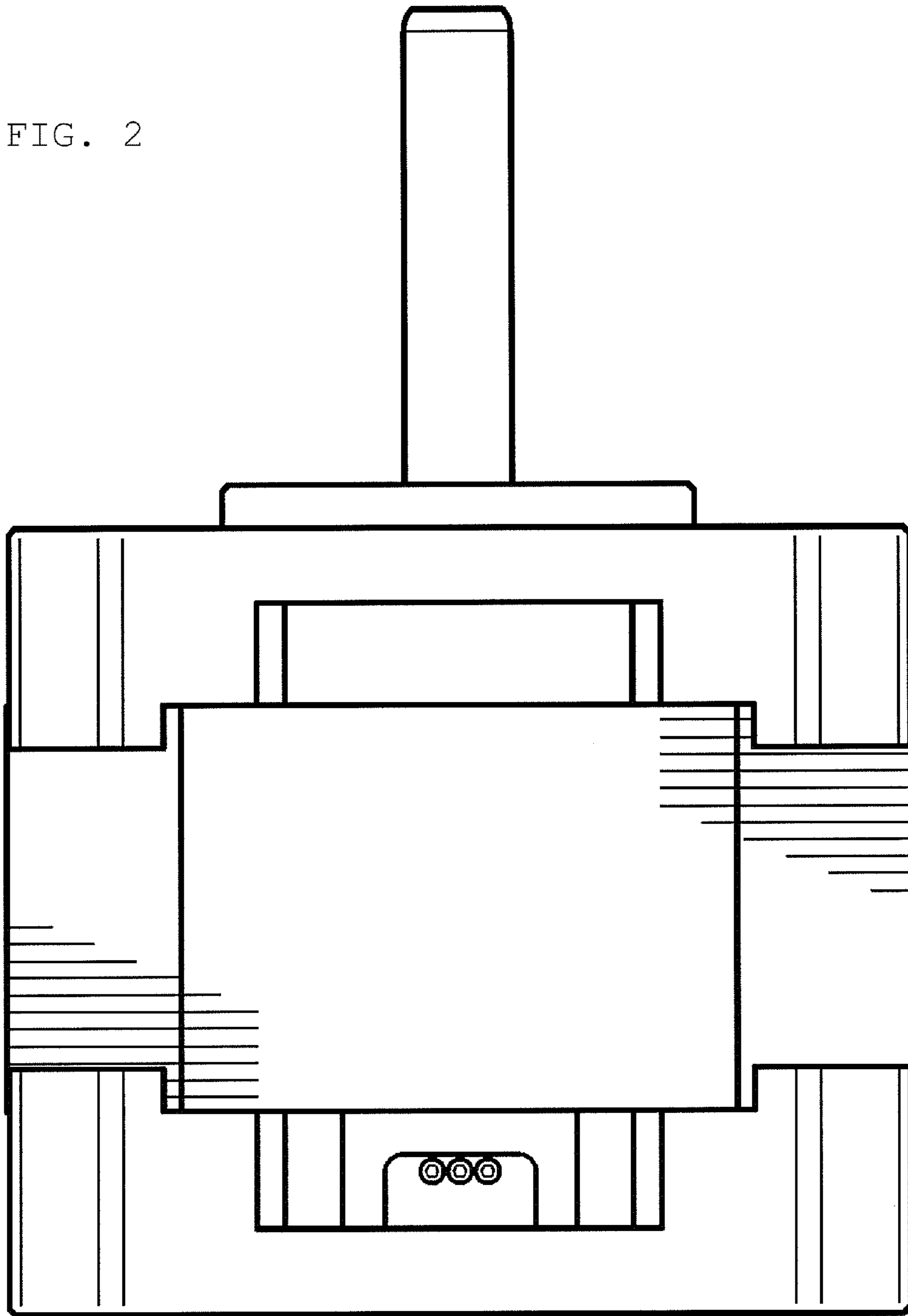


FIG. 3

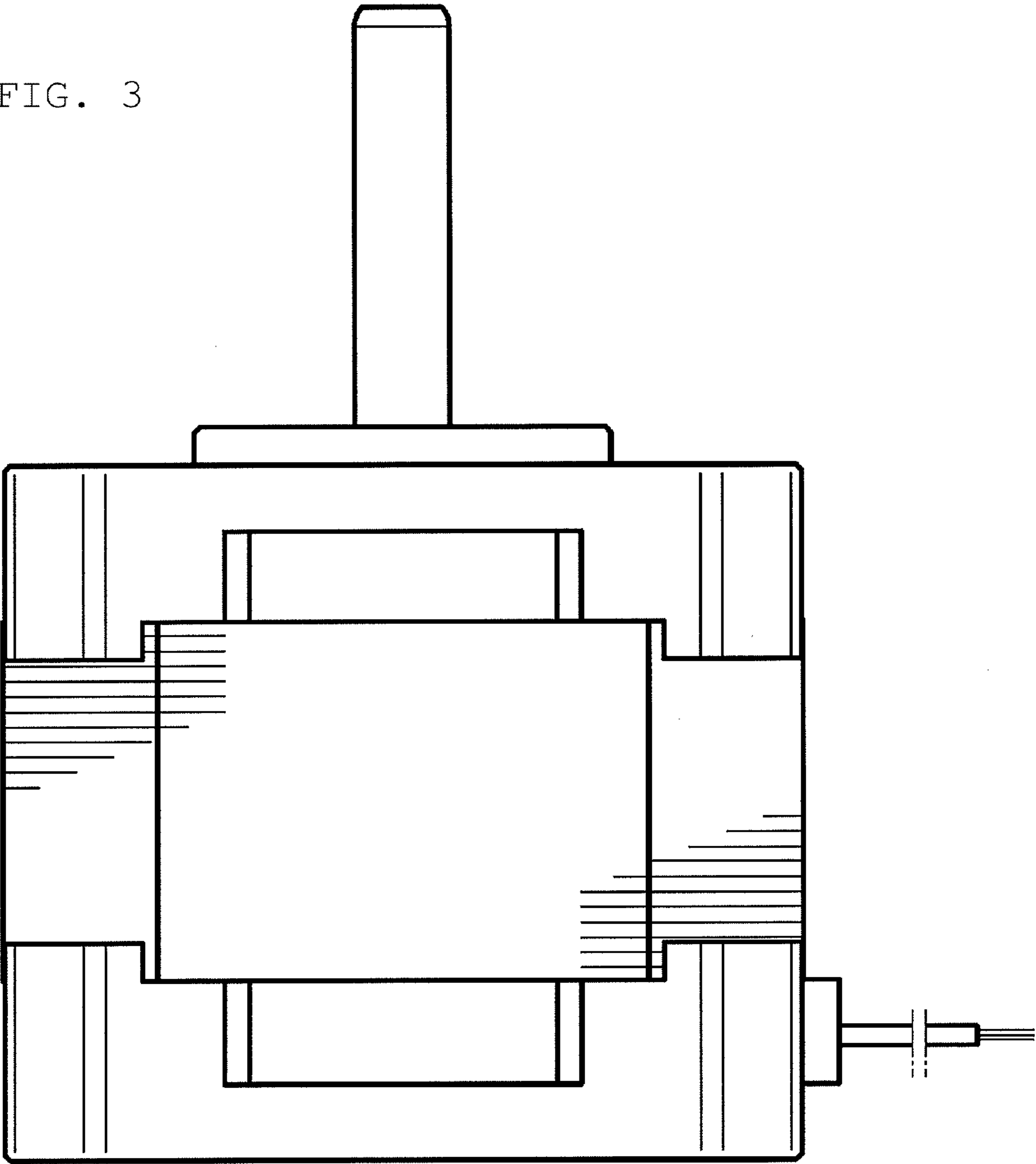


FIG. 4

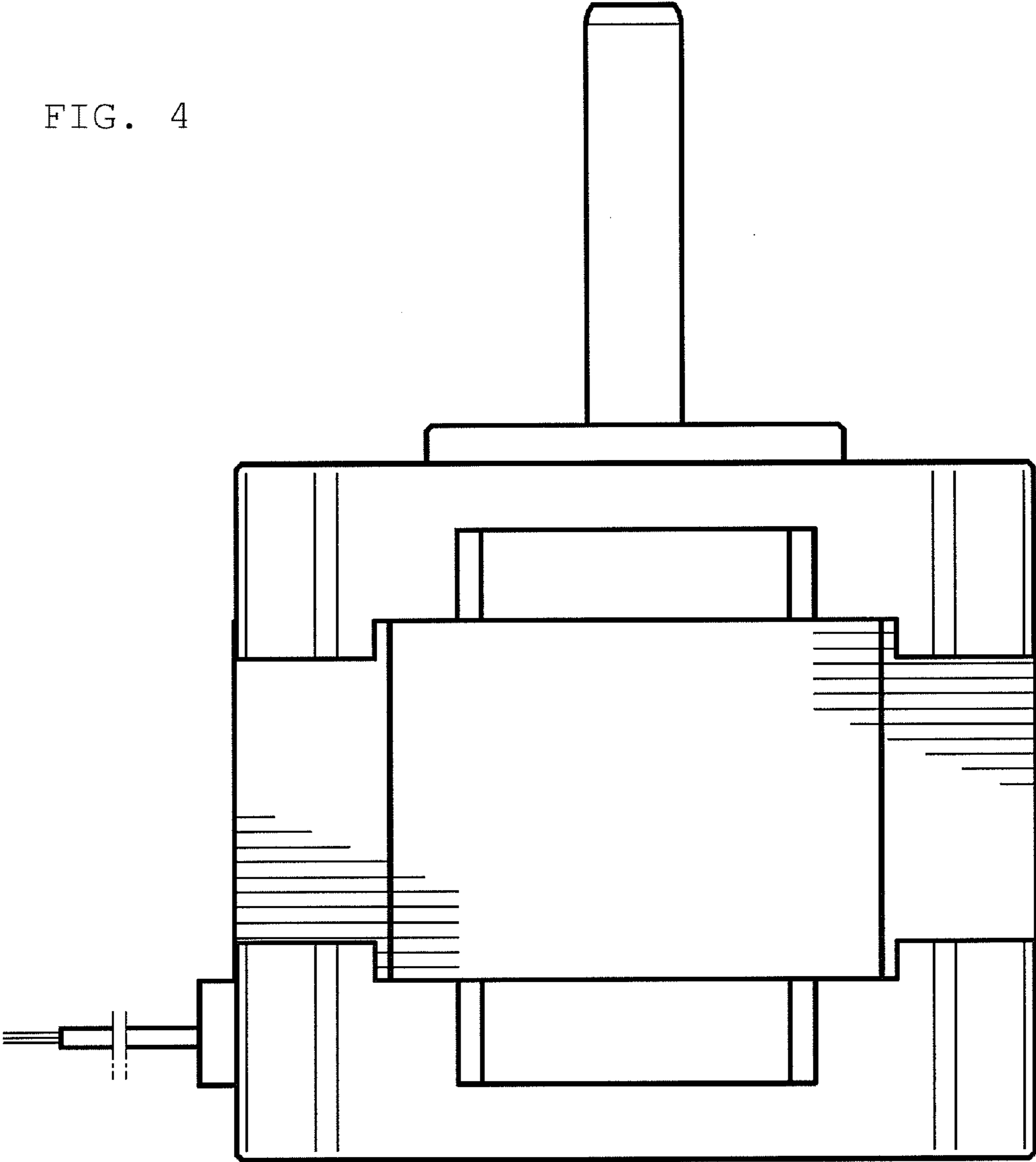


FIG. 5

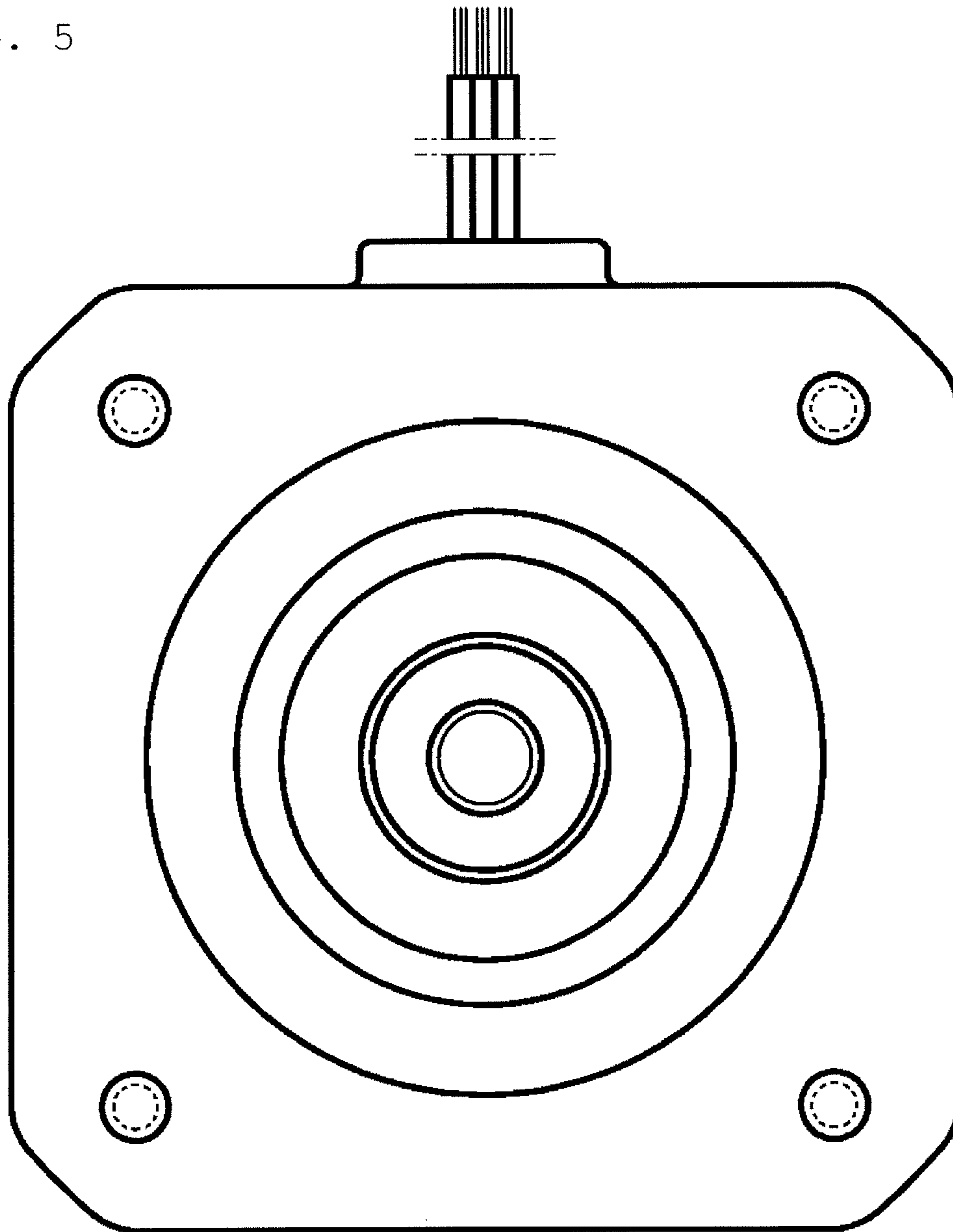
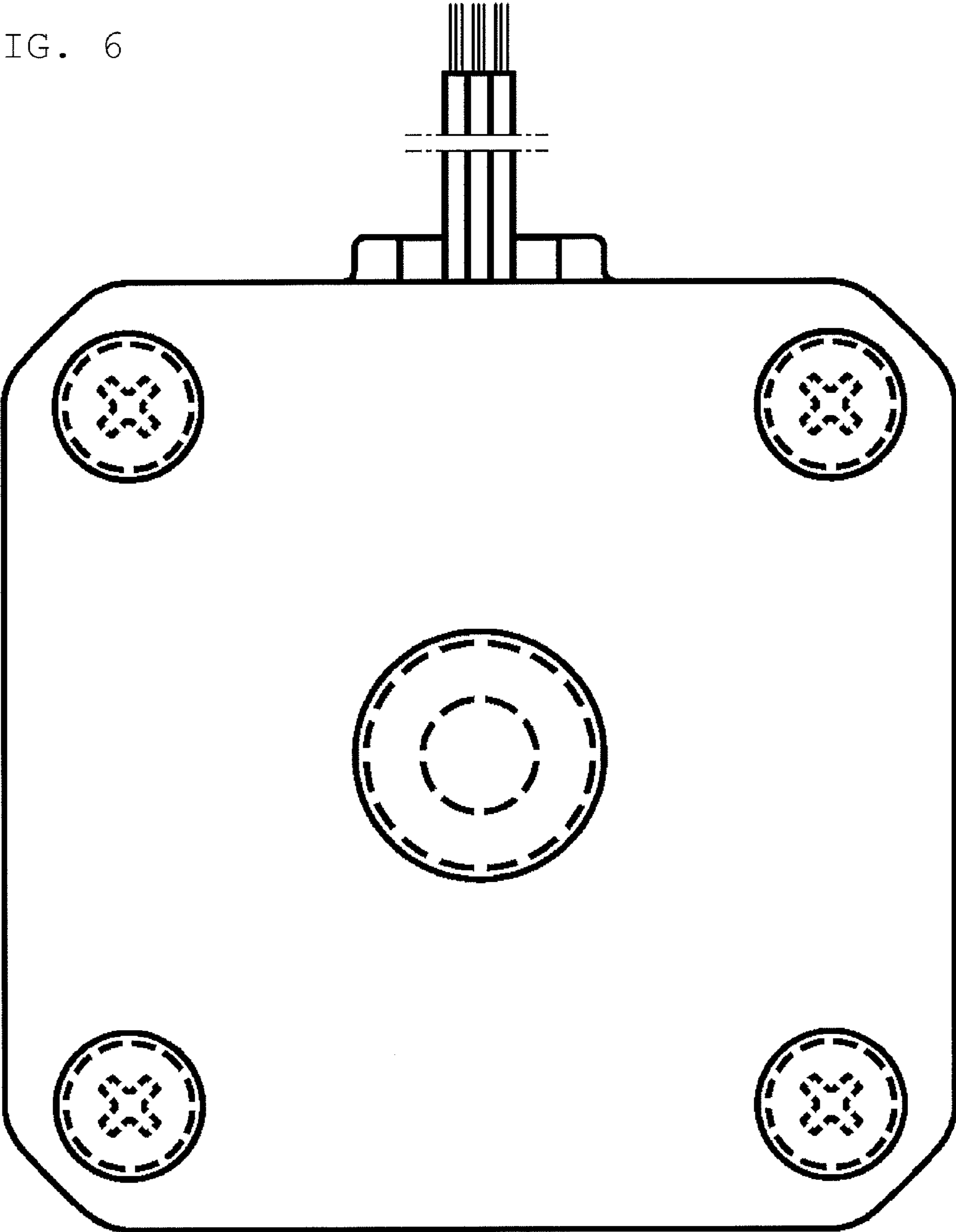


FIG. 6



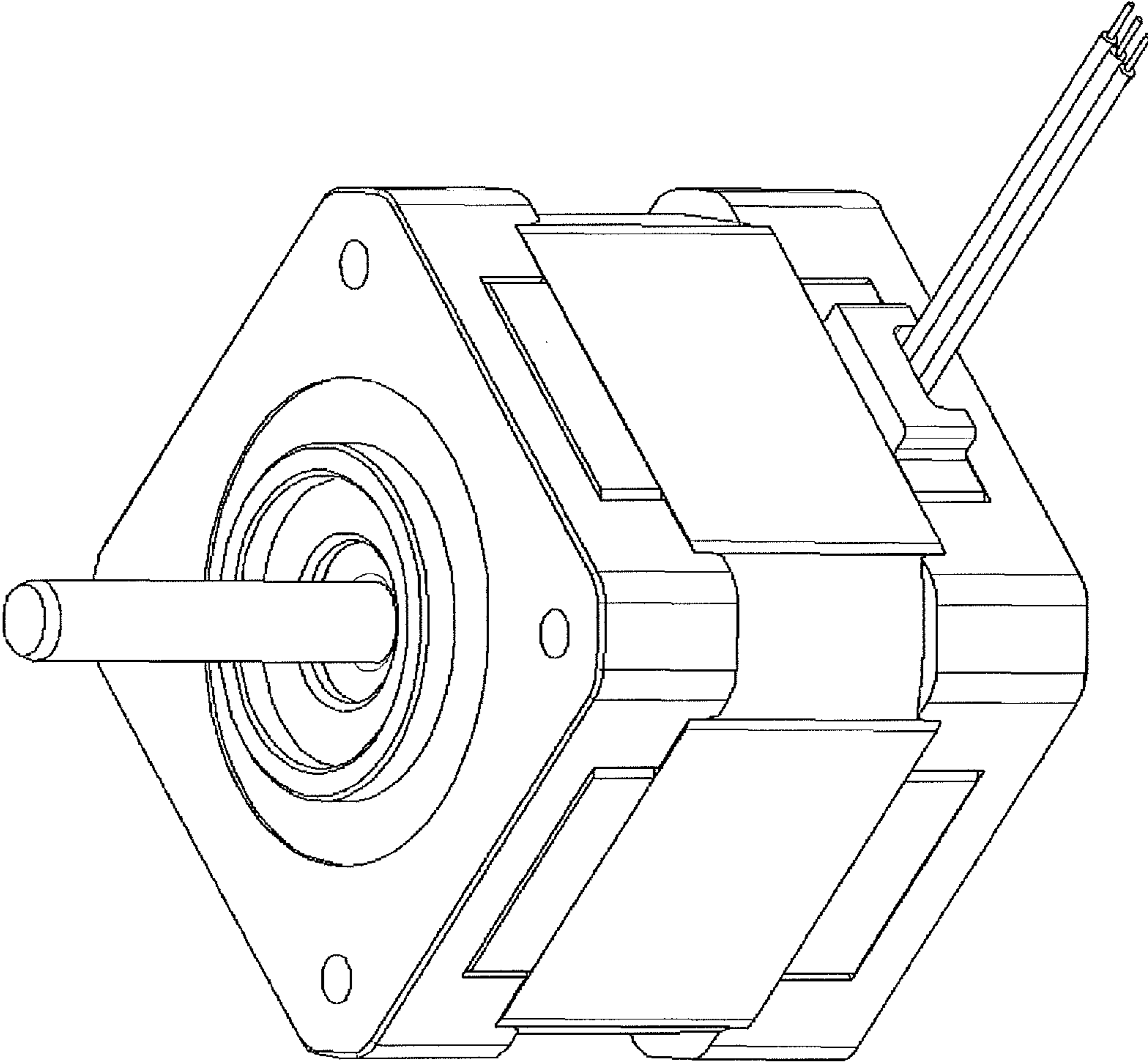


FIG. 7