



US00D686988S

(12) **United States Design Patent**  
**Fawkes et al.**

(10) **Patent No.:** **US D686,988 S**  
(45) **Date of Patent:** **\*\* Jul. 30, 2013**

(54) **POWER SUPPLY UNIT**

(75) Inventors: **David Fawkes**, Leicester (GB); **James Williamson**, Leicester (GB)

(73) Assignee: **Intelligent Energy Ltd.**, Loughborough (GB)

(\*\*) Term: **14 Years**

(21) Appl. No.: **29/415,806**

(22) Filed: **Mar. 14, 2012**

(30) **Foreign Application Priority Data**

Sep. 15, 2011 (EM) ..... 001294326-0001

(51) **LOC (9) Cl.** ..... **13-02**

(52) **U.S. Cl.**  
USPC ..... **D13/110**

(58) **Field of Classification Search**

USPC ..... D13/110, 103, 107, 108, 118, 119,  
D13/123, 133, 137.1, 184, 199; D14/240,  
D14/251, 356, 432, 433, 434; 174/53, 54,  
174/59, 61; 307/11, 150, 151; 320/107, 111,  
320/112, 113, 114, 115; 361/679.01; 363/142,  
363/146; 439/131, 172, 626, 628, 638

See application file for complete search history.

(56) **References Cited**

U.S. PATENT DOCUMENTS

D491,563	S	*	6/2004	Sato et al.	.....	D14/433
D544,834	S	*	6/2007	Weinstein	.....	D13/110
D552,081	S	*	10/2007	Yano	.....	D14/214
D553,564	S	*	10/2007	Kuo	.....	D13/110
D568,814	S	*	5/2008	Hung	.....	D13/123
D615,492	S	*	5/2010	Mibayashi	.....	D13/110
D654,867	S	*	2/2012	Huppe	.....	D13/110

\* cited by examiner

*Primary Examiner* — Derrick Holland

(74) *Attorney, Agent, or Firm* — Baker Hostetler LLP

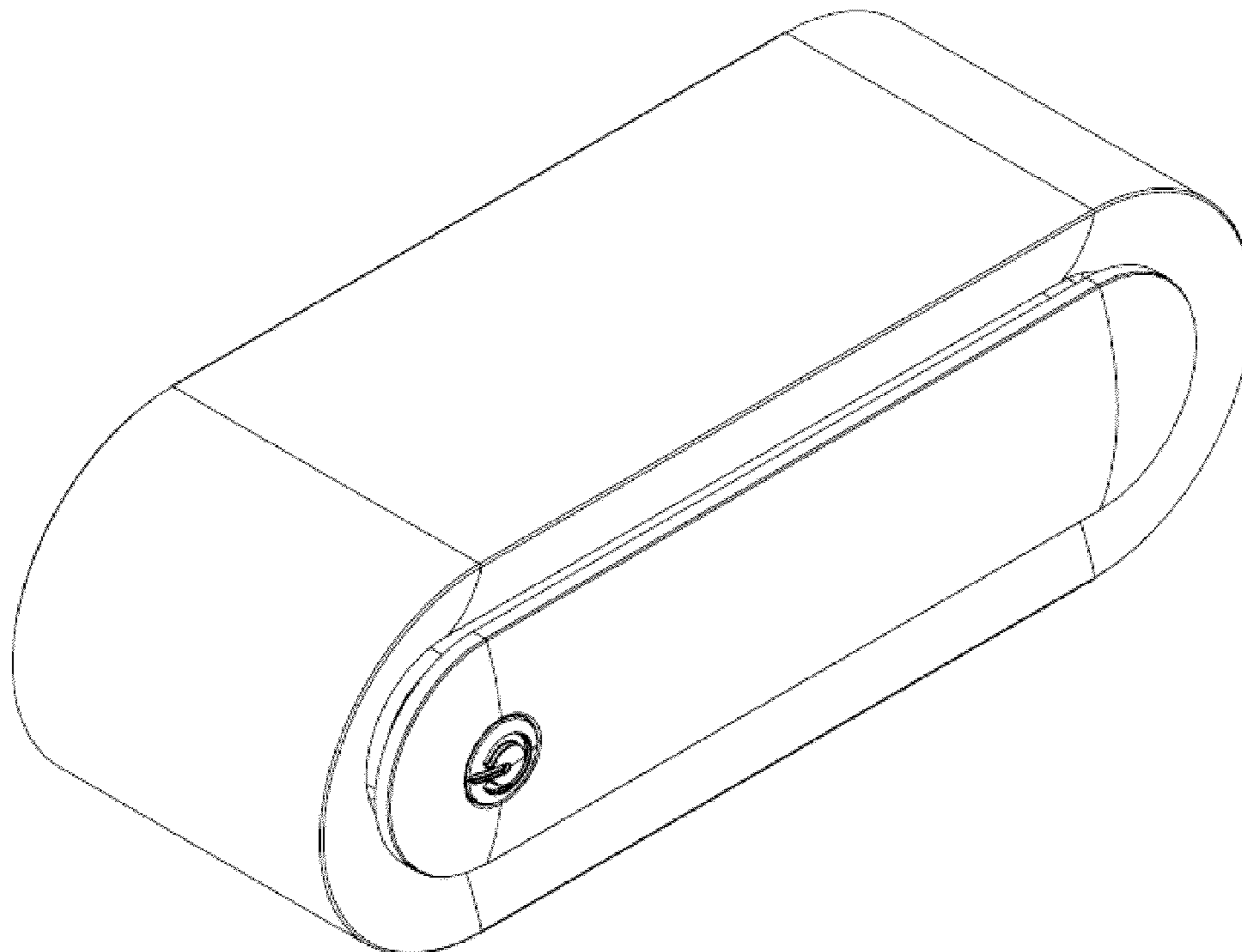
(57) **CLAIM**

The ornamental design for a power supply unit, as shown and described.

**DESCRIPTION**

FIG. 1 is a perspective view of a power supply unit showing our new design;  
FIG. 2 is a bottom view thereof;  
FIG. 3 is a top view thereof;  
FIG. 4 is a front view thereof;  
FIG. 5 is an inverted front view thereof;  
FIG. 6 is a side view thereof; and,  
FIG. 7 is a side view thereof, opposite that shown in FIG. 6.  
The broken lines shown represent unclaimed subject matter and form no part of the claimed design.

**1 Claim, 4 Drawing Sheets**



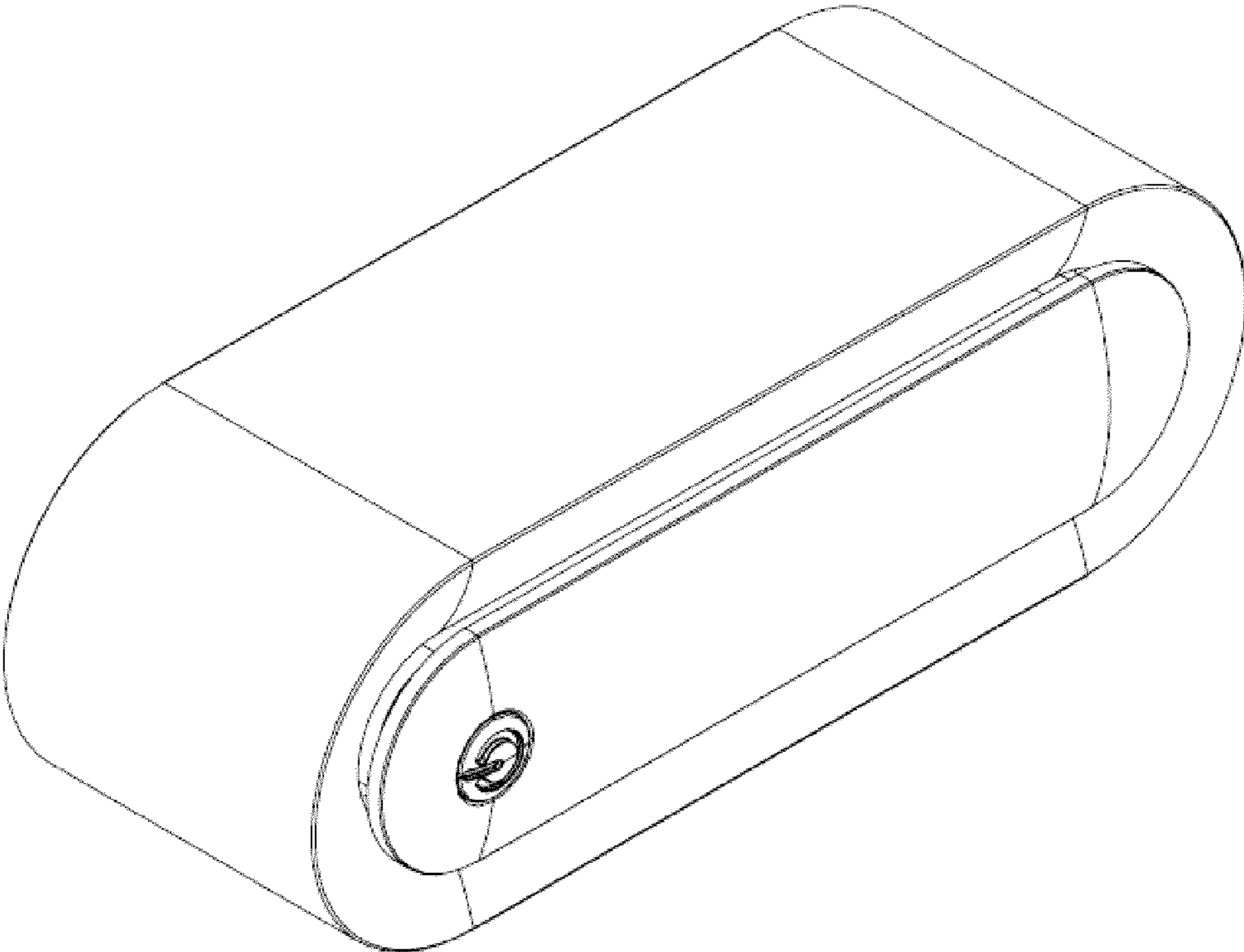


FIG. 1

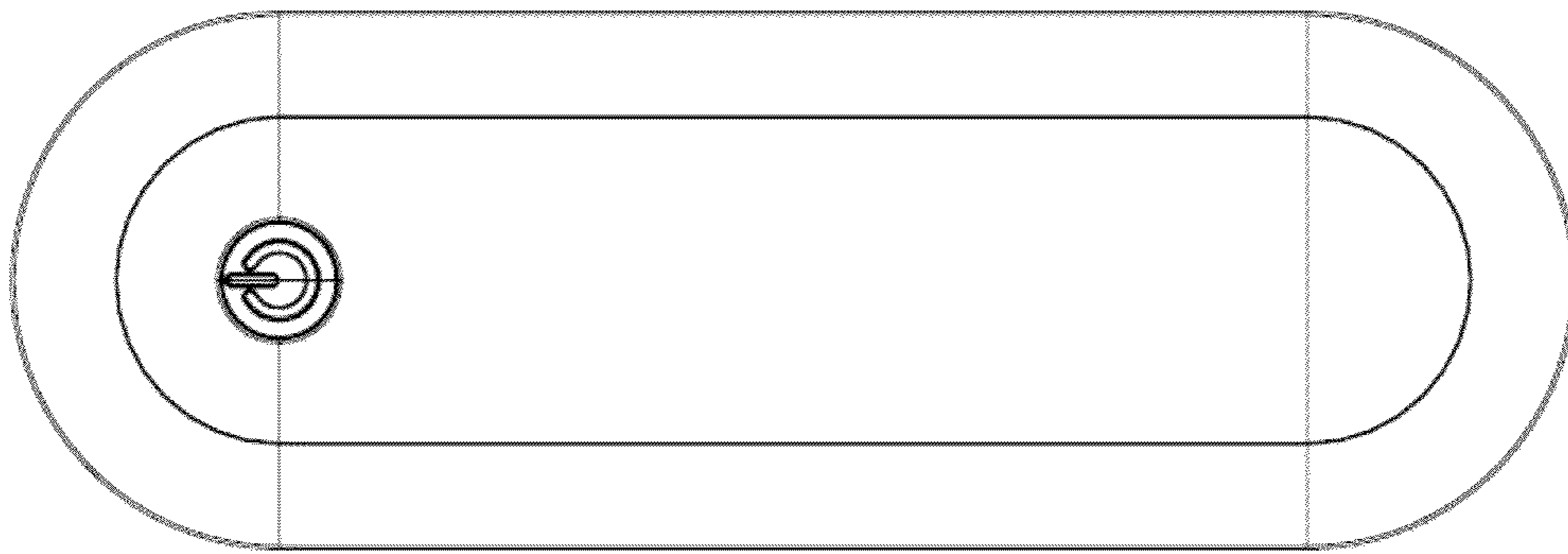


FIG. 2

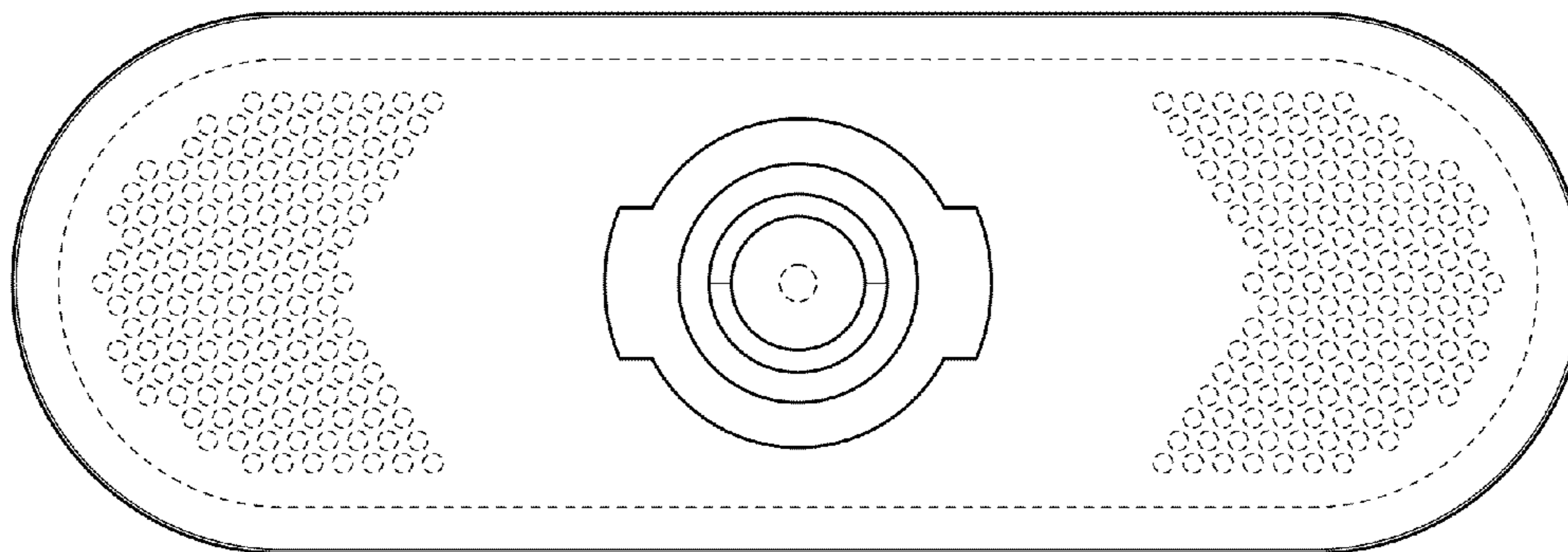


FIG. 3

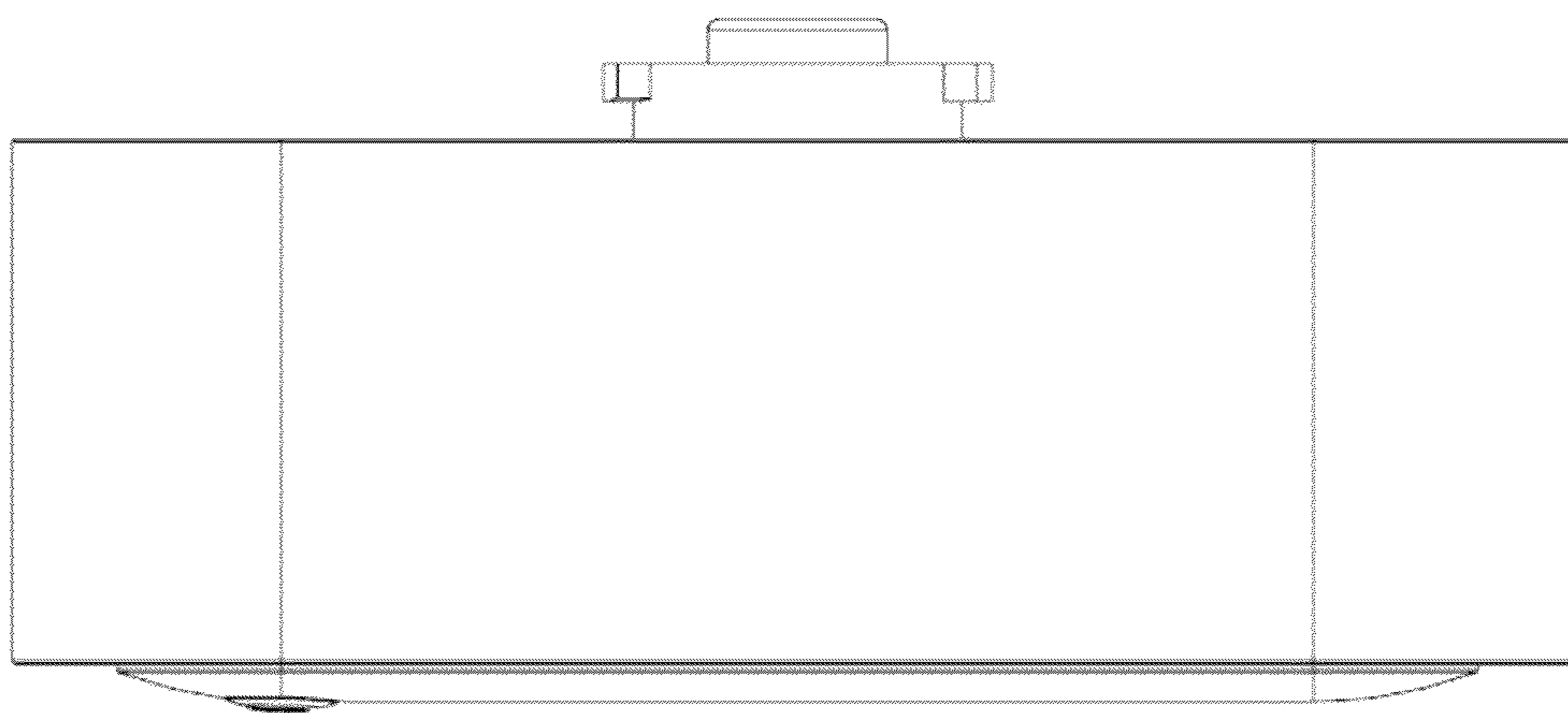


FIG. 4

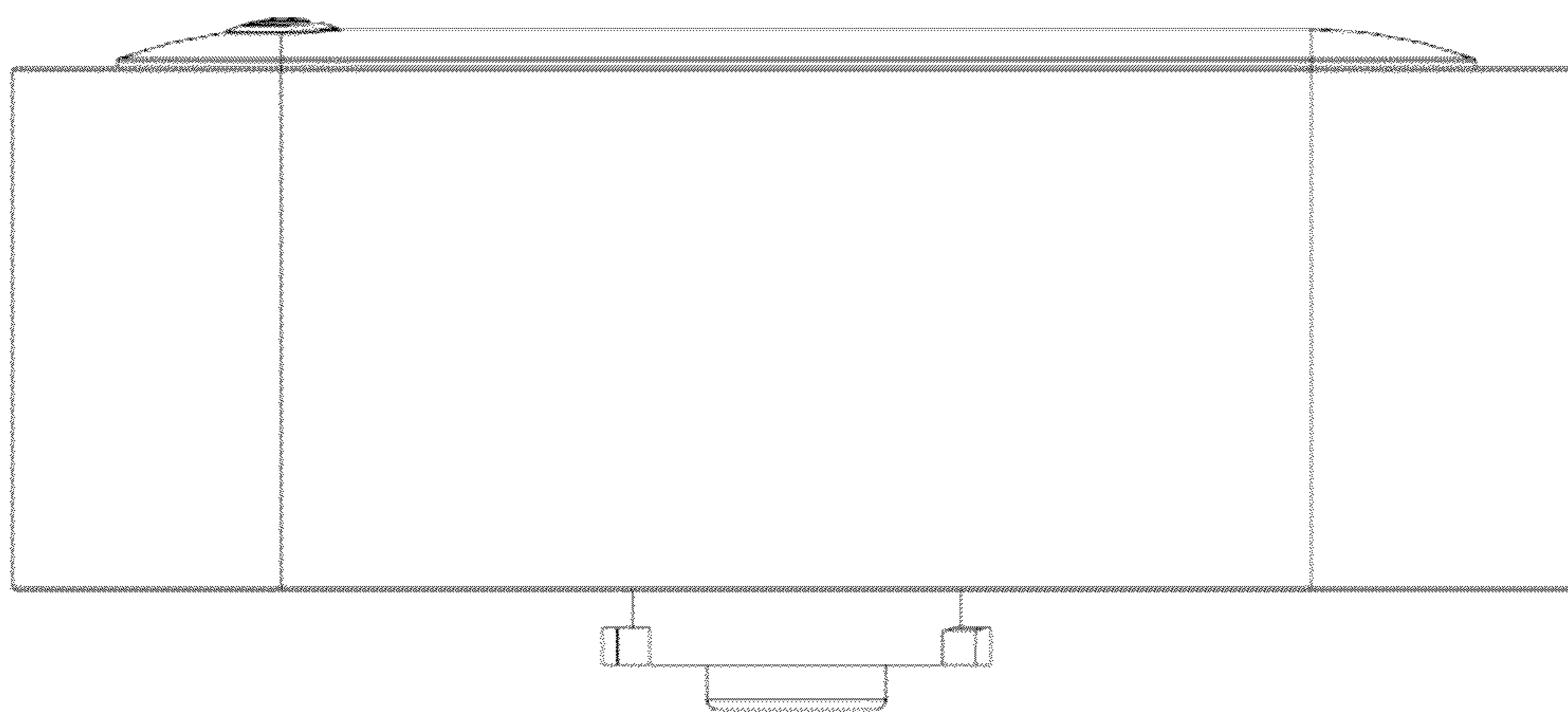


FIG. 5

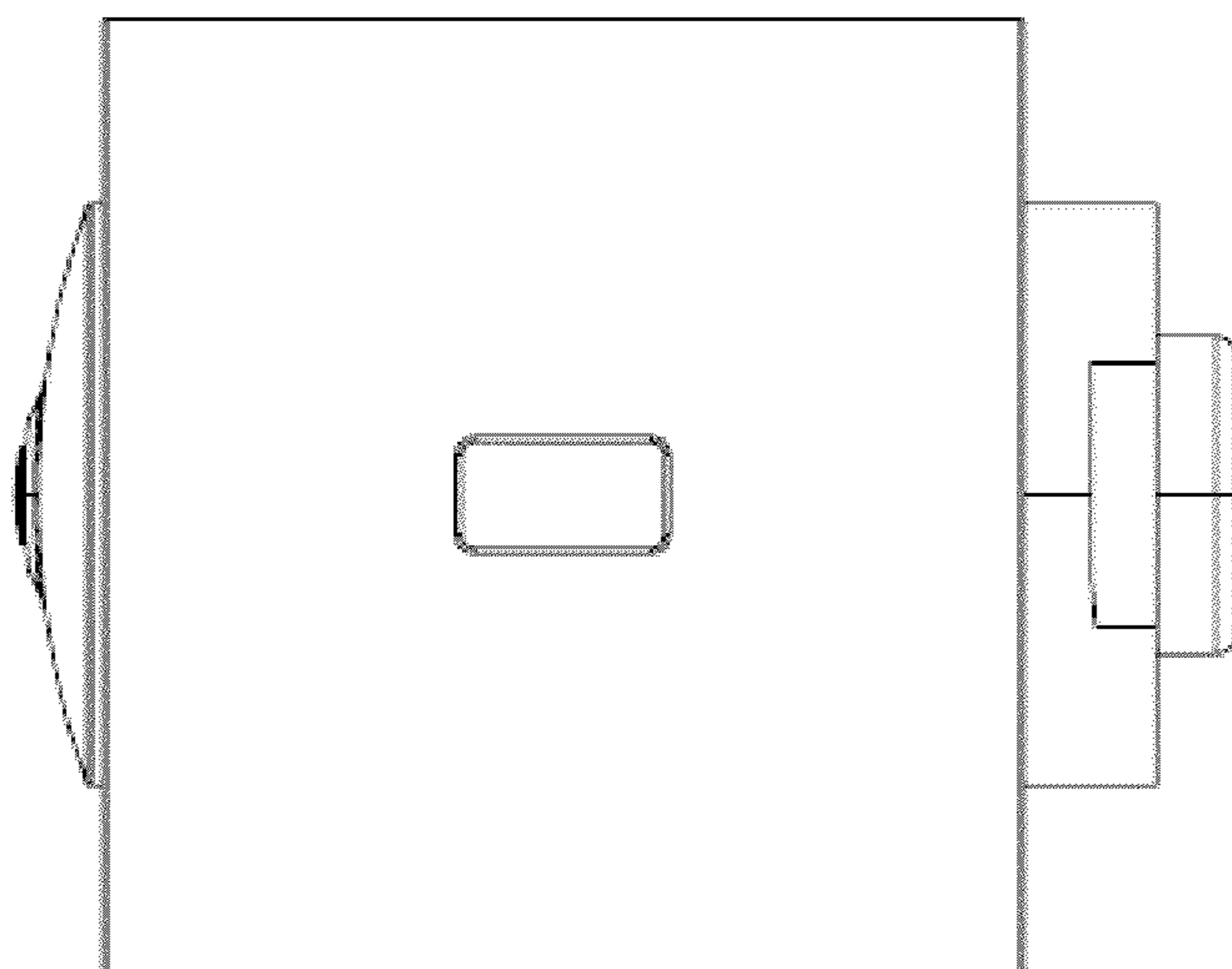


FIG. 6

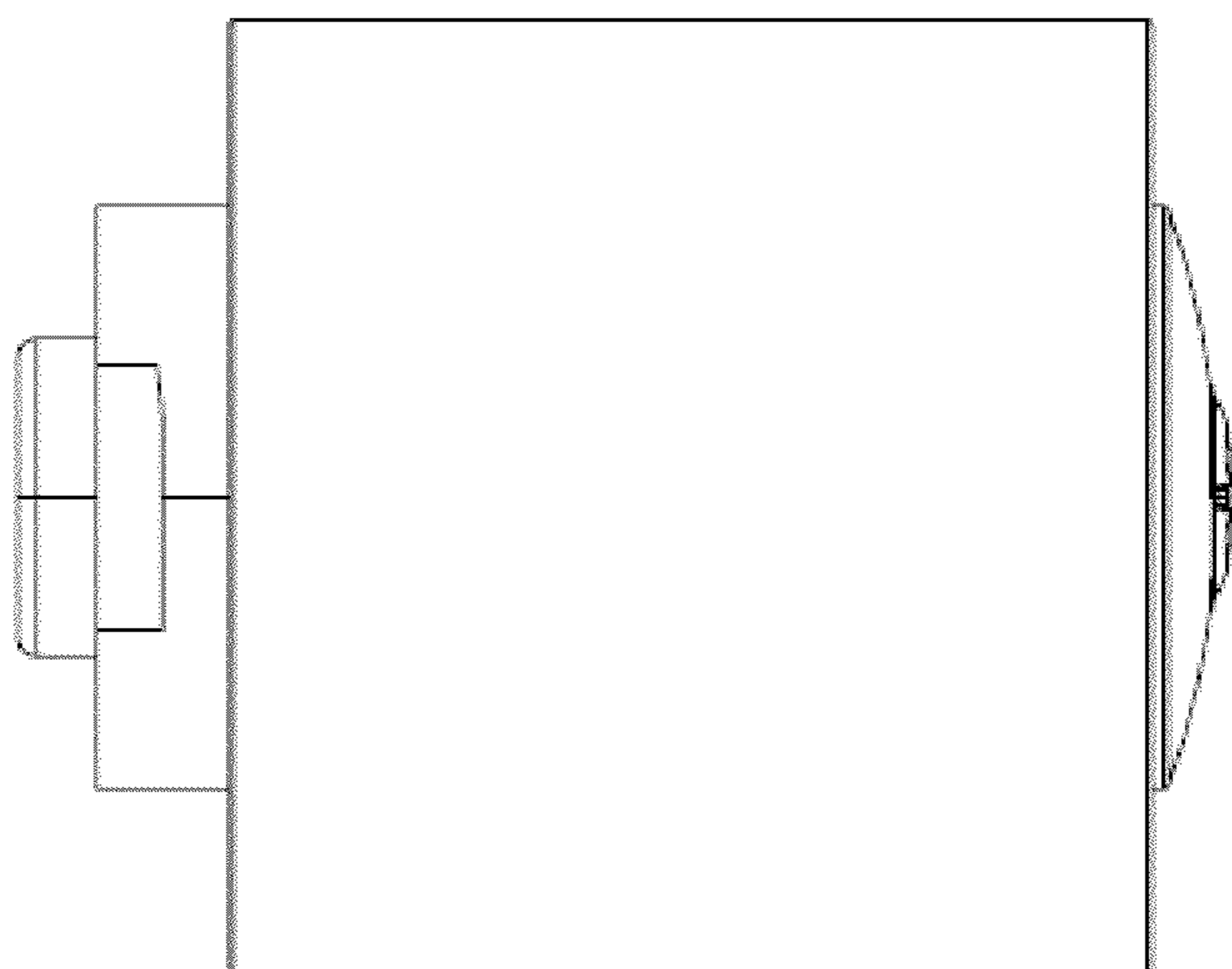


FIG. 7