



US00D686984S

(12) **United States Design Patent**  
**Henderson et al.**

(10) **Patent No.:** **US D686,984 S**  
(45) **Date of Patent:** **\*\* Jul. 30, 2013**

- (54) **ELECTRIC VEHICLE CHARGER**
- (71) Applicant: **Delphi Technologies, Inc.**, Troy, MI (US)
- (72) Inventors: **Richard A. Henderson**, Chardon, OH (US); **Ronald Henry Dybalski**, Oxford, MI (US); **Kevin M. Dunn**, Fernadale, MI (US)
- (73) Assignee: **Delphi Technologies, Inc.**, Troy, MI (US)
- (\*\*) Term: **14 Years**
- (21) Appl. No.: **29/437,832**
- (22) Filed: **Nov. 21, 2012**
- (51) **LOC (9) Cl.** ..... **13-02**
- (52) **U.S. Cl.**  
USPC ..... **D13/107**
- (58) **Field of Classification Search**  
USPC D13/107-110, 118-119, 184, 199; D14/217, D14/251, 253, 432, 434; 320/103-115  
See application file for complete search history.

D565,571 S *	4/2008	Trifilio et al. ....	D14/434
D603,334 S *	11/2009	Suzuki .....	D13/108
D628,201 S *	11/2010	Tian et al. ....	D14/434
D632,645 S *	2/2011	Blain .....	D13/107
D641,694 S *	7/2011	Akahori et al. ....	D13/107
D654,862 S *	2/2012	Holthusen .....	D13/107
D655,242 S *	3/2012	Holthusen .....	D13/107
D669,026 S *	10/2012	Oda et al. ....	D13/107
2012/0281392 A1 *	11/2012	Workman et al. ....	362/183

\* cited by examiner

*Primary Examiner* — Rosemary K Tarcza  
(74) *Attorney, Agent, or Firm* — Thomas N. Twomey

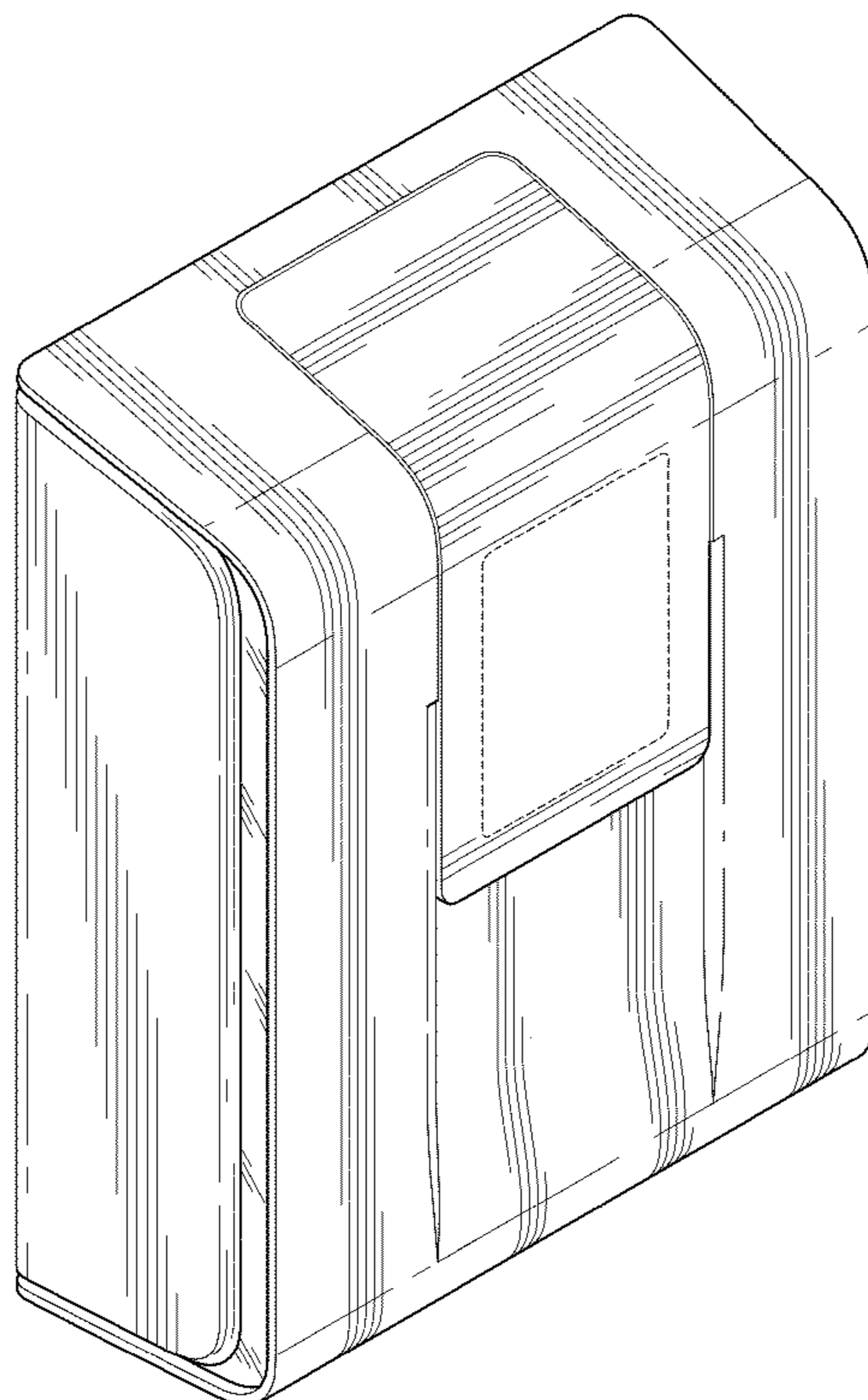
(57) **CLAIM**  
The ornamental design for an electric vehicle charger, as shown and described.

**DESCRIPTION**

FIG. 1 is a perspective view of a left top side of an electric vehicle charger showing our new design;  
FIG. 2 is a perspective view of a right bottom side thereof;  
FIG. 3 is a front elevational view thereof;  
FIG. 4 is a left side elevational view thereof. The right side is a mirror image of the left side;  
FIG. 5 is a top plan view thereof; and,  
FIG. 6 is a bottom plan view thereof.  
The phantom lines shown in FIGS. 1-6 are included for the purpose of illustrating environmental structure and form no part of the claimed design.

**1 Claim, 4 Drawing Sheets**

- (56) **References Cited**  
  
U.S. PATENT DOCUMENTS  
D412,487 S \* 8/1999 Nagele et al. .... D13/108  
D454,837 S \* 3/2002 Ibuki et al. .... D13/107  
D467,538 S \* 12/2002 Kawasaki .....



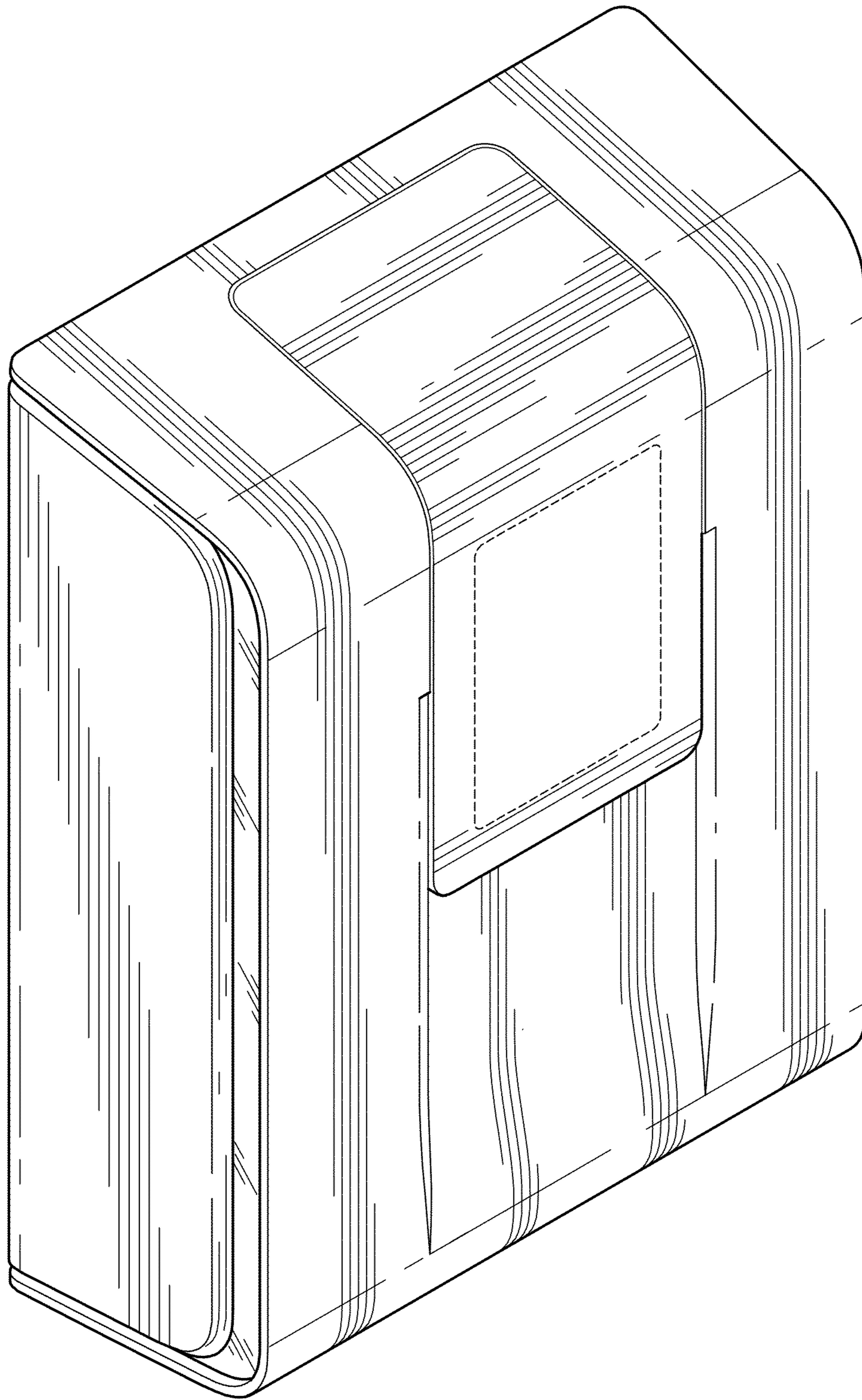


FIG. 1



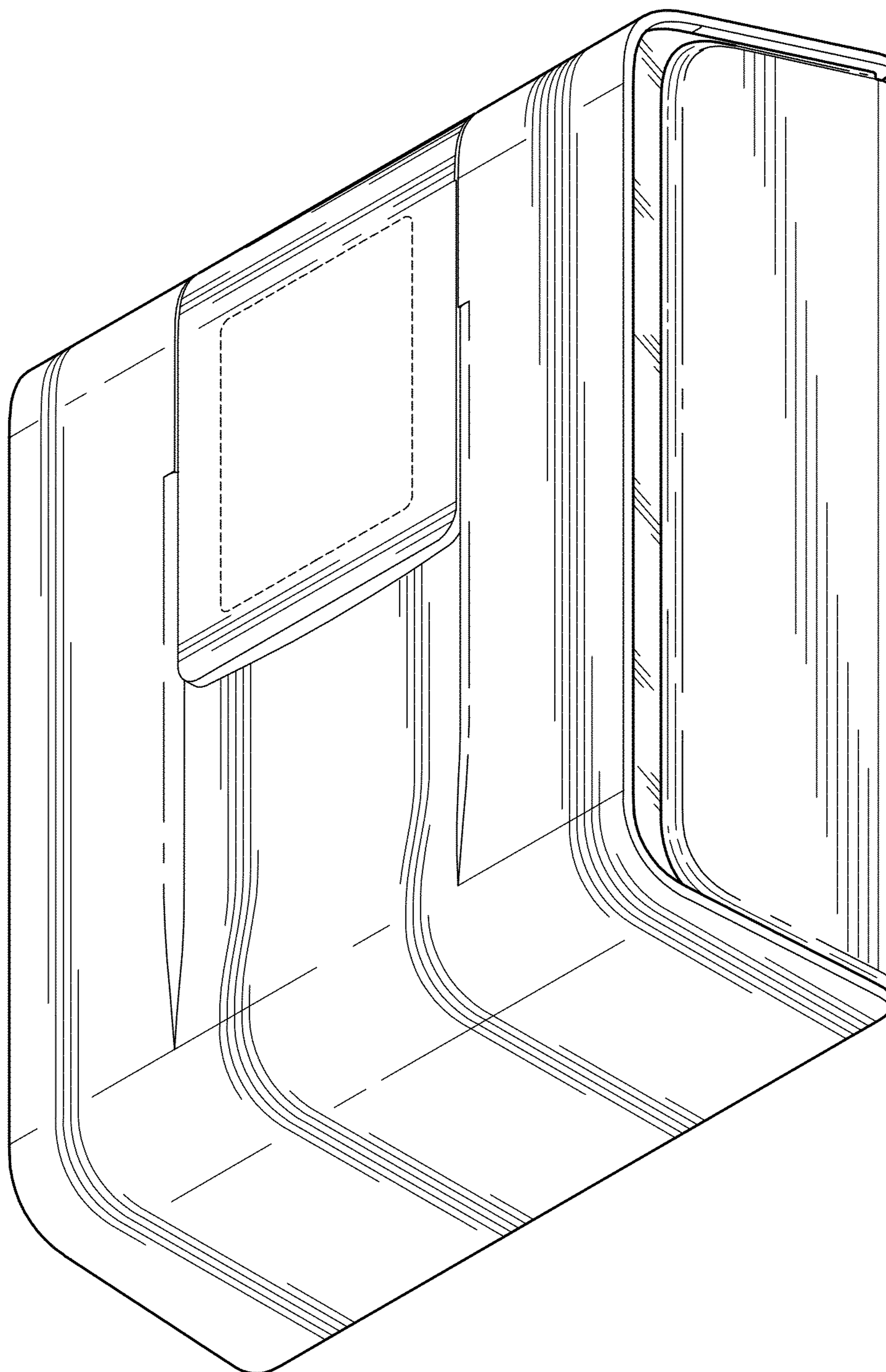


FIG. 2

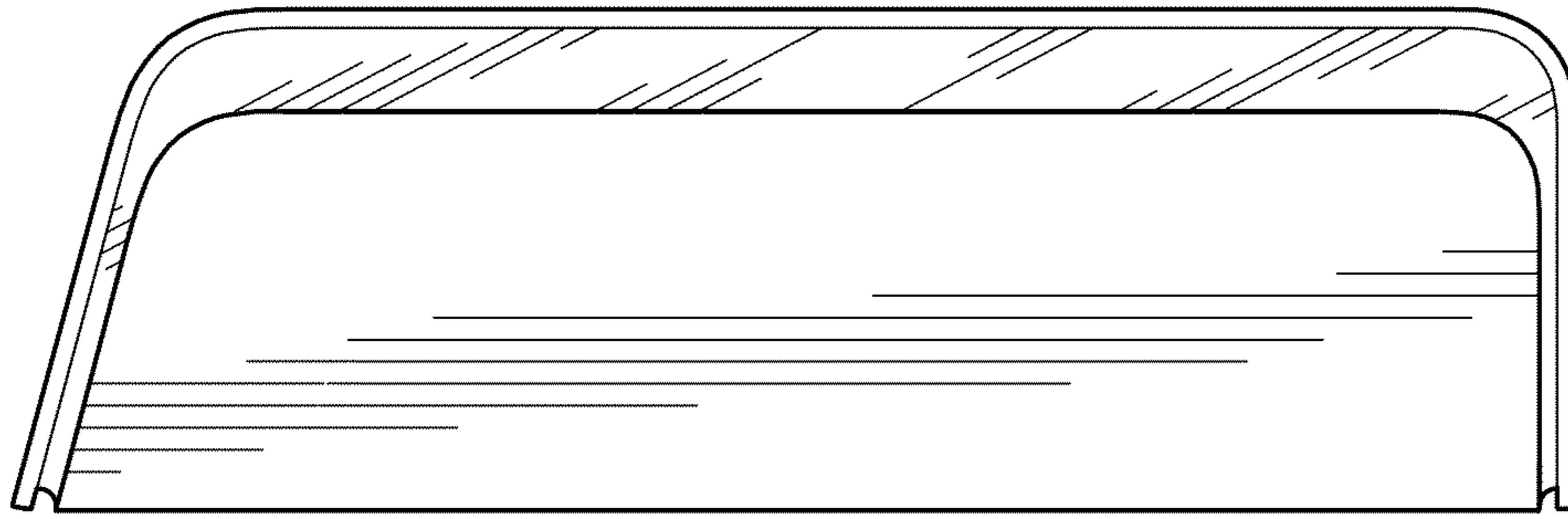


FIG. 4

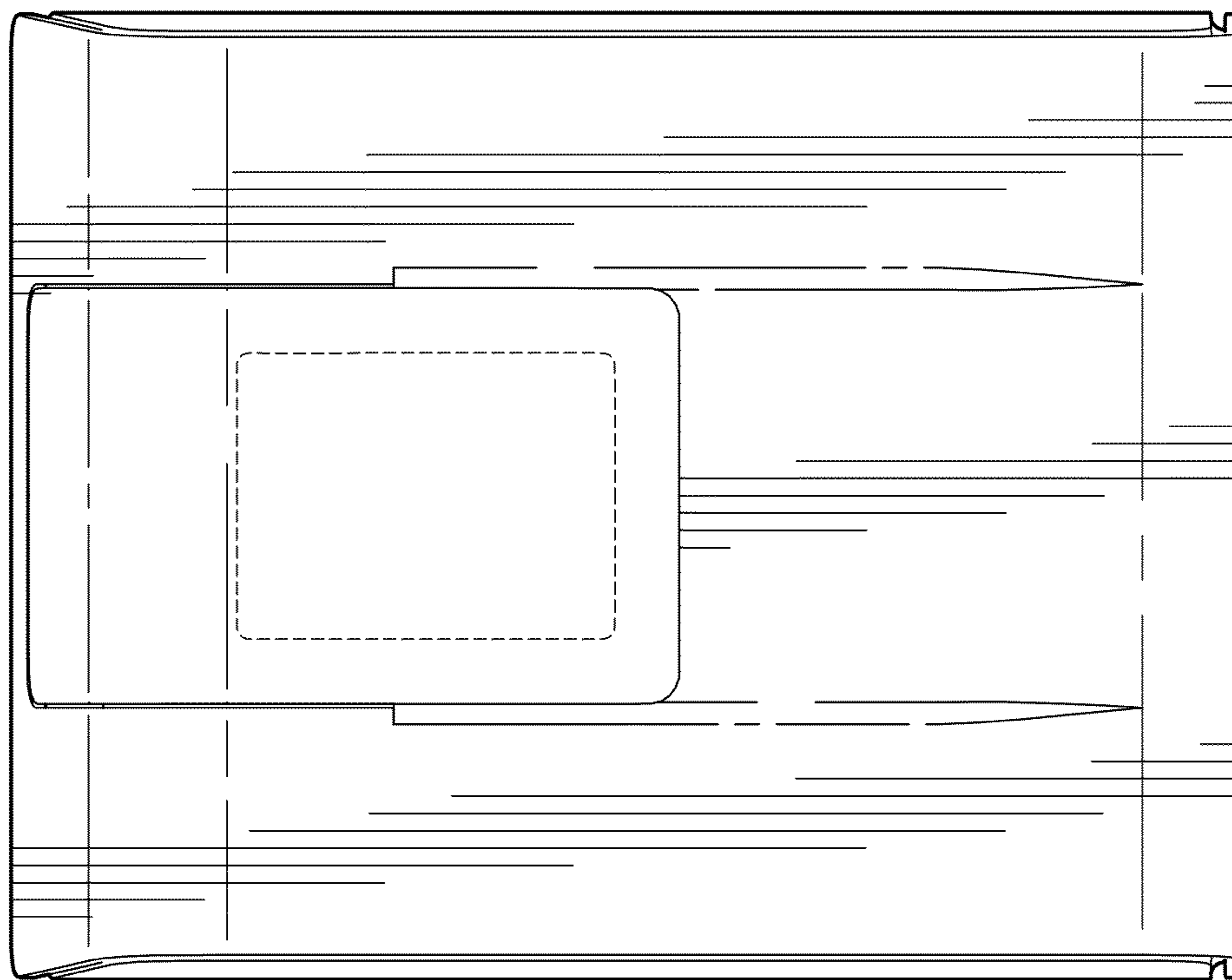


FIG. 3

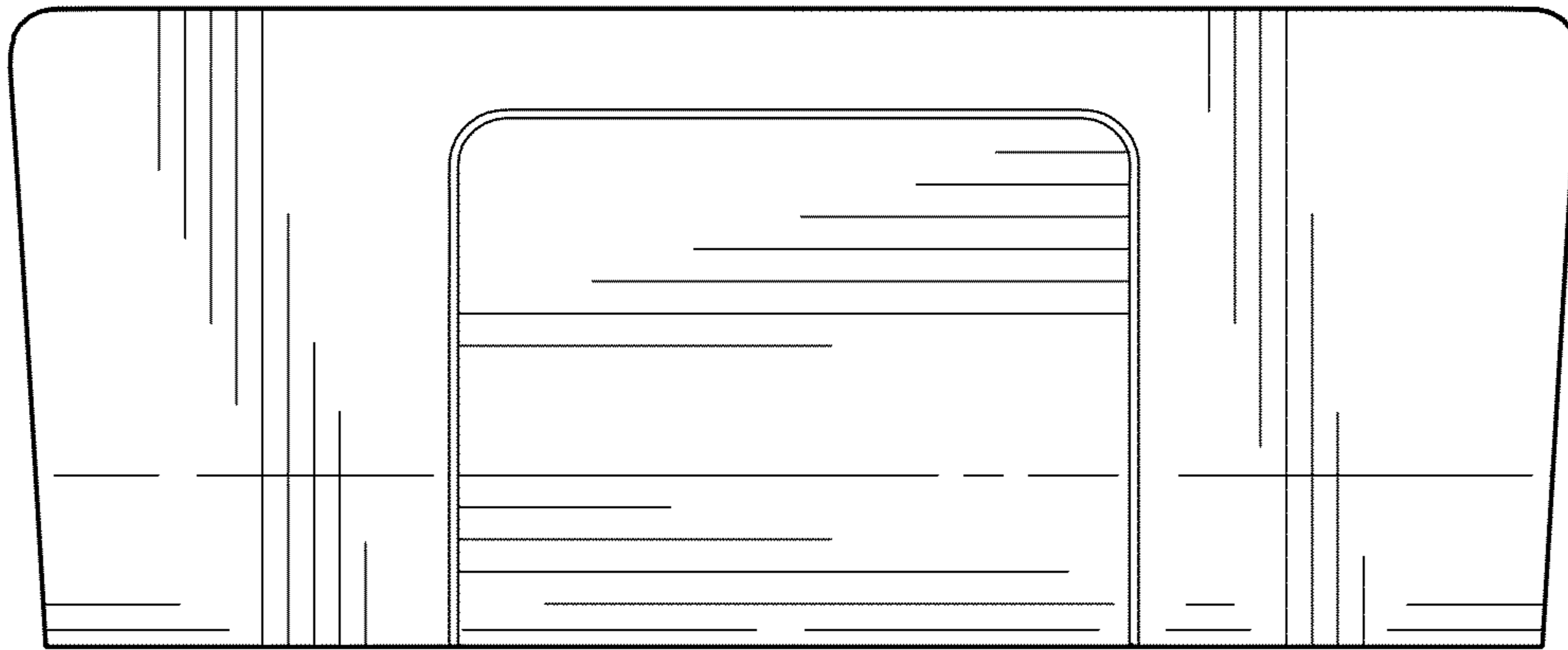


FIG. 5

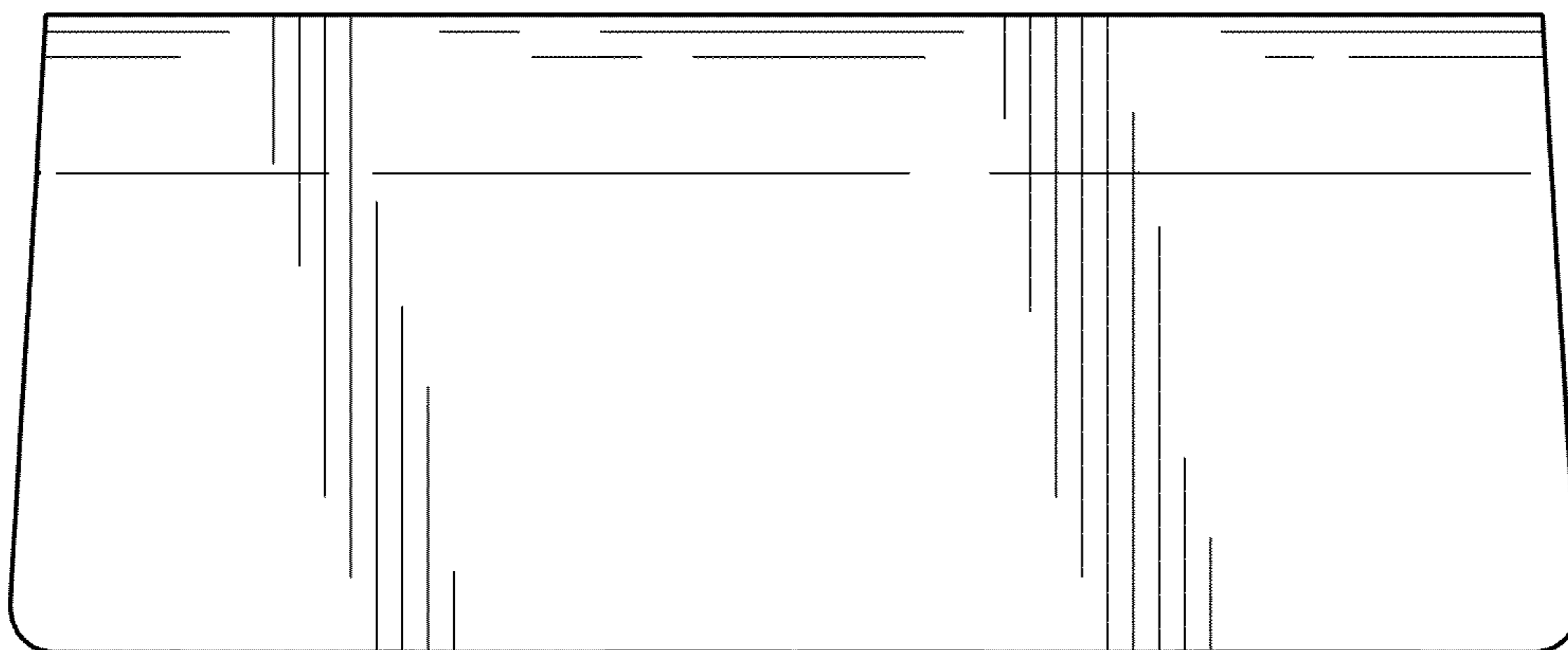


FIG. 6