



US00D686983S

(12) **United States Design Patent**  
**Schygge**

(10) **Patent No.:** **US D686,983 S**

(45) **Date of Patent:** **\*\* Jul. 30, 2013**

(54) **CHARGER PLUG**

(75) Inventor: **Sebastian Schygge**, Huskvarna (SE)

(73) Assignee: **Huskvarna AB**, Huskvarna (SE)

(\*\*) Term: **14 Years**

(21) Appl. No.: **29/416,543**

(22) Filed: **Mar. 23, 2012**

(51) **LOC (9) Cl.** ..... **13-02**

(52) **U.S. Cl.**  
USPC ..... **D13/107**

(58) **Field of Classification Search**  
USPC ..... D13/106–110, 118–119, 133, 184,  
D13/199; D15/9; 320/103–115  
See application file for complete search history.

(56) **References Cited**

U.S. PATENT DOCUMENTS

|              |         |            |       |         |
|--------------|---------|------------|-------|---------|
| D512,372 S * | 12/2005 | Sakai      | ..... | D13/108 |
| D513,606 S * | 1/2006  | Yamane     | ..... | D13/149 |
| D535,619 S * | 1/2007  | Nagata     | ..... | D13/133 |
| D537,409 S * | 2/2007  | Suzuki     | ..... | D13/108 |
| D548,688 S * | 8/2007  | Fee et al. | ..... | D13/107 |
| D550,614 S * | 9/2007  | Fee et al. | ..... | D13/107 |

|                   |         |                  |       |         |
|-------------------|---------|------------------|-------|---------|
| D575,237 S *      | 8/2008  | Shiga et al.     | ..... | D13/151 |
| D602,858 S *      | 10/2009 | Ellis et al.     | ..... | D13/108 |
| D627,718 S *      | 11/2010 | Houghton         | ..... | D13/108 |
| 8,226,284 B2 *    | 7/2012  | Markyvech et al. | ..... | 362/540 |
| 8,317,376 B2 *    | 11/2012 | Hook et al.      | ..... | 362/459 |
| 2011/0043355 A1 * | 2/2011  | Chander et al.   | ..... | 340/455 |
| 2013/0021162 A1 * | 1/2013  | DeBoer et al.    | ..... | 340/635 |

\* cited by examiner

*Primary Examiner* — Rosemary K Tarcza

(74) *Attorney, Agent, or Firm* — Nelson Mullins Riley & Scarborough LLP

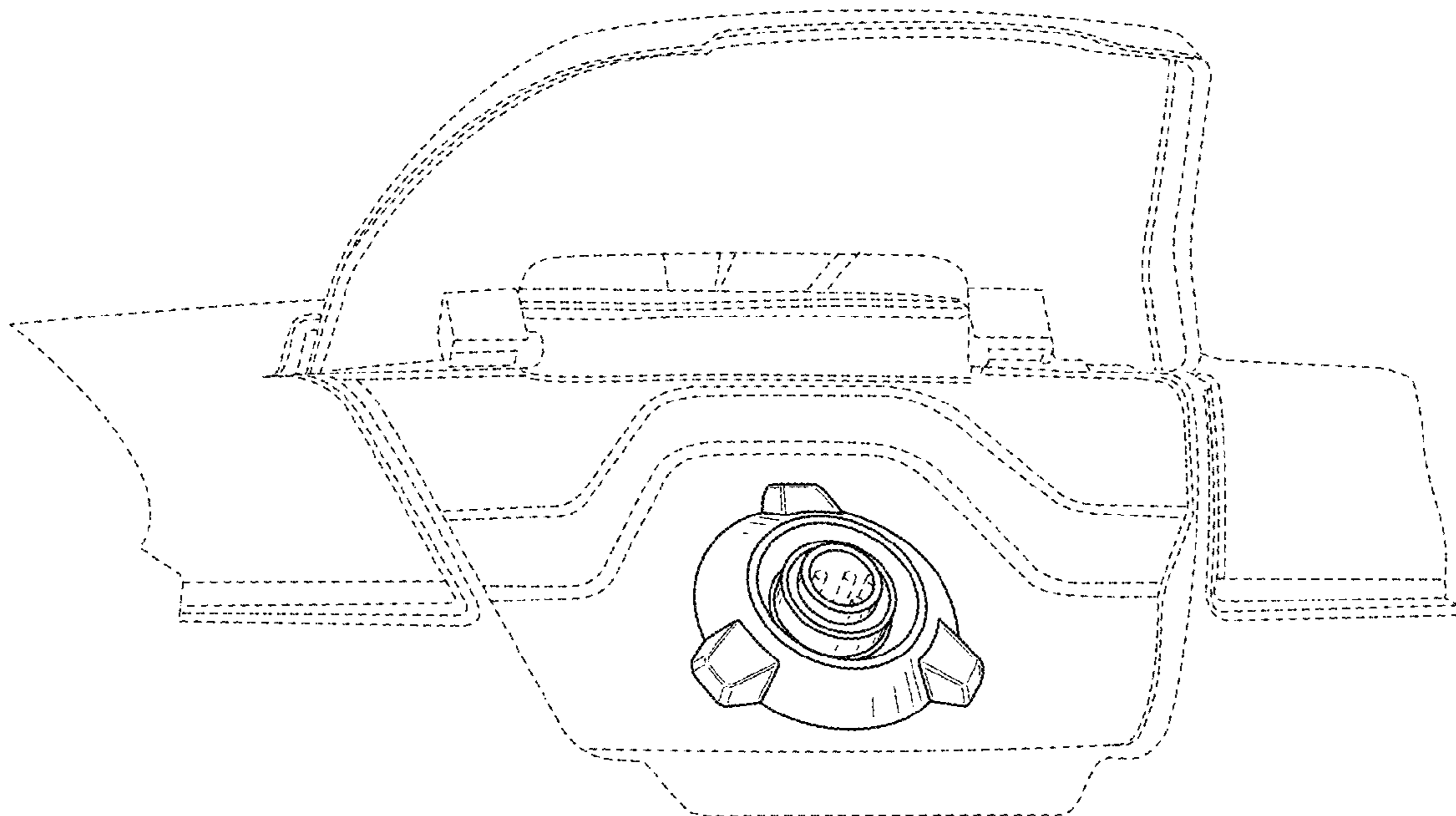
(57) **CLAIM**

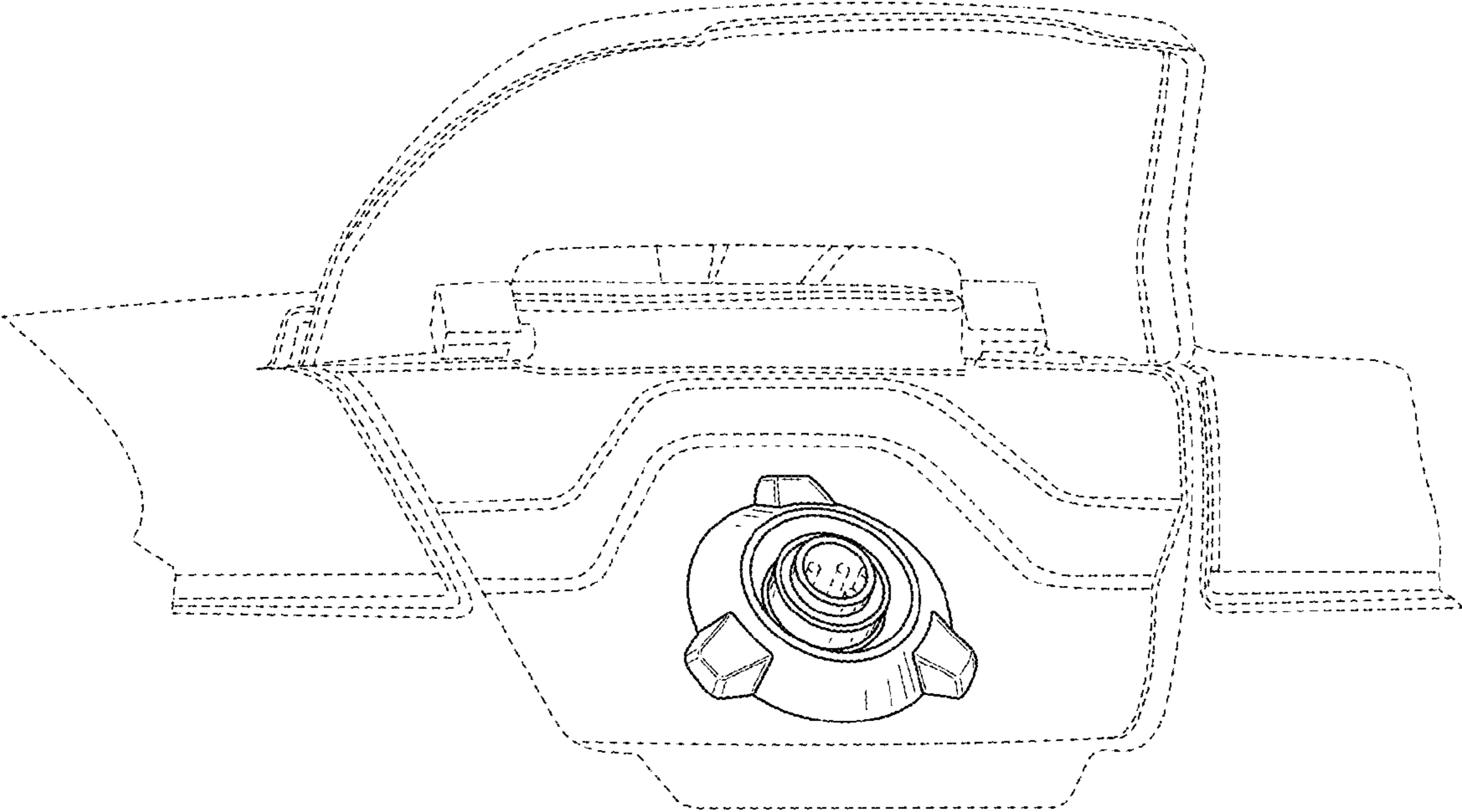
The ornamental design for a charger plug, as shown and described.

**DESCRIPTION**

FIG. 1 is a perspective view of a charger plug in accordance with an embodiment of the present invention; FIG. 2 is a rear view of the charger plug of FIG. 1; FIG. 3 is a right side view of the charger plug of FIG. 1; and, FIG. 4 is a left side view of the charger plug of FIG. 1. The broken lines of FIGS. 1-4 are illustrative of the visible environmental structure of the wagon portion of a riding lawn mower and form no part of the claimed design.

**1 Claim, 4 Drawing Sheets**





**FIG. 1**

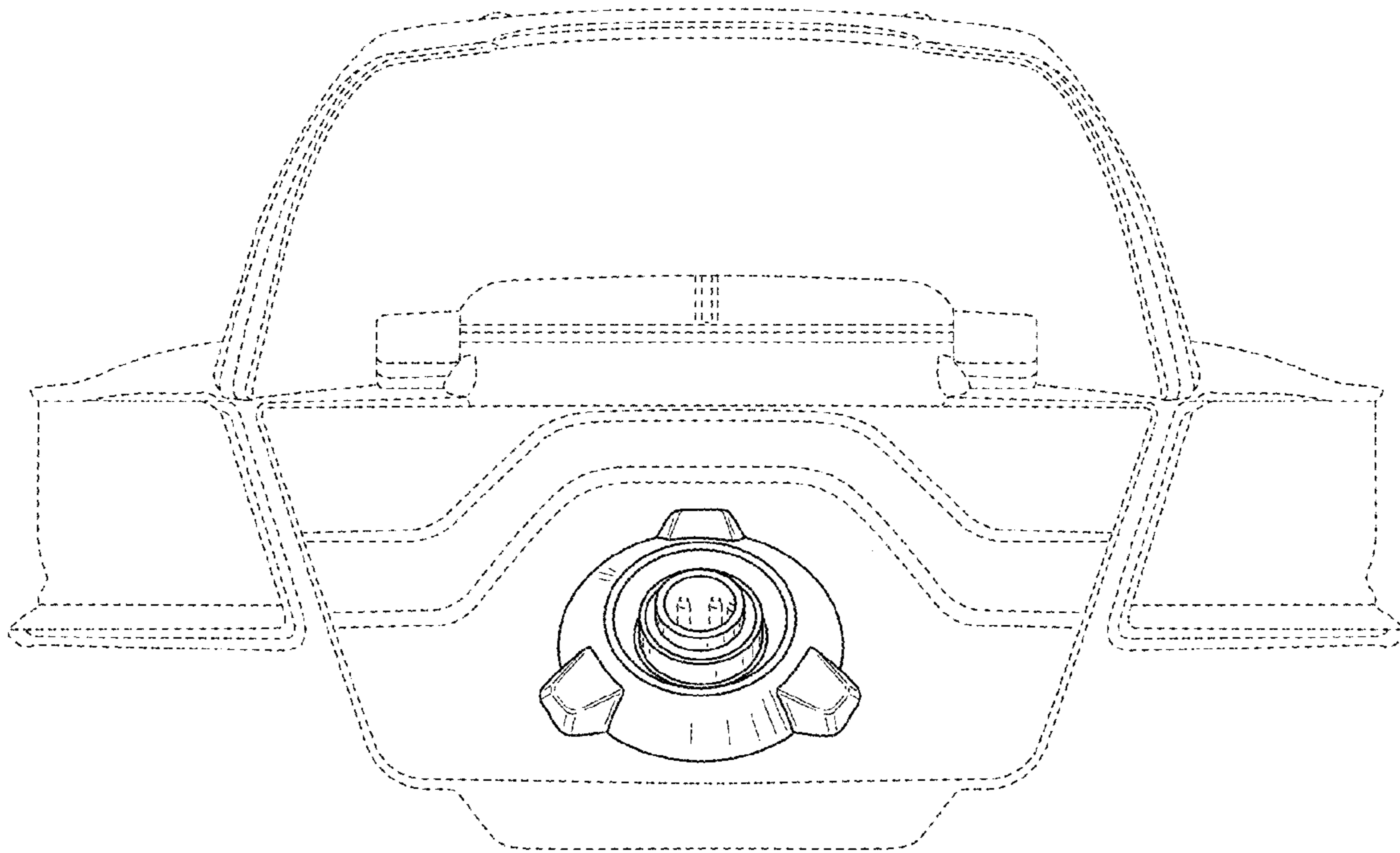
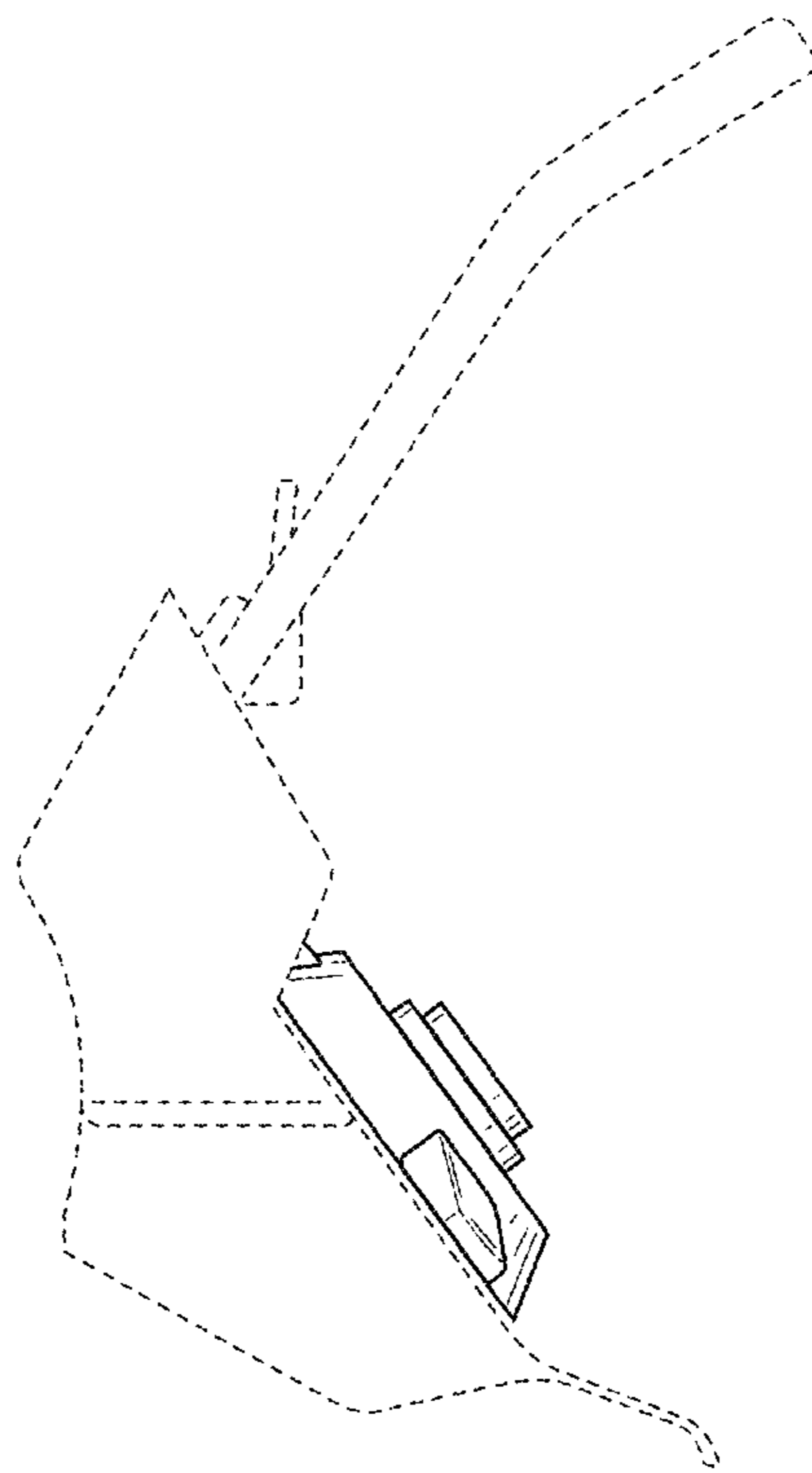


FIG. 2



**FIG. 3**

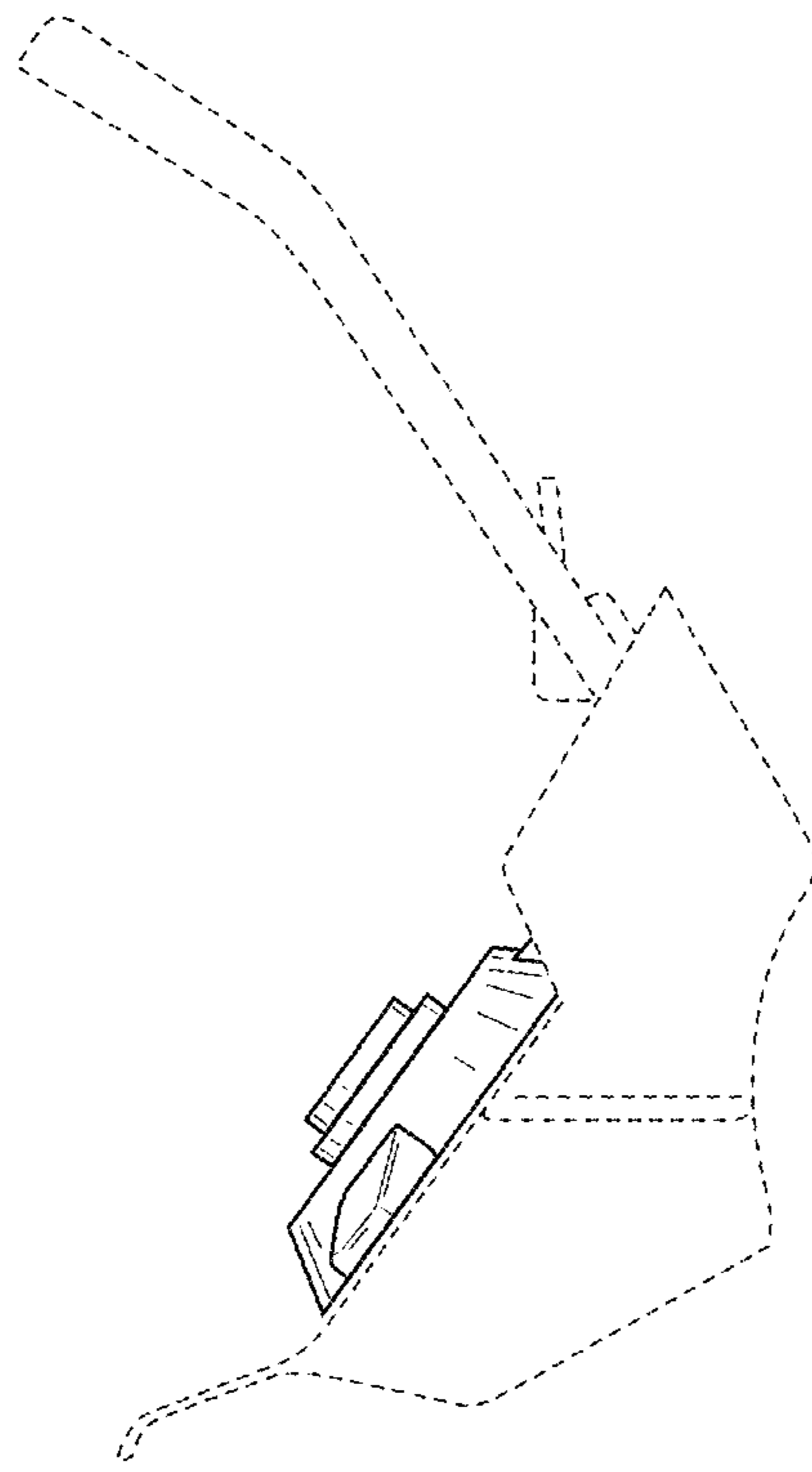


FIG. 4