



US00D686979S

(12) **United States Design Patent**  
**Chilton et al.**

(10) **Patent No.:** **US D686,979 S**

(45) **Date of Patent:** **\*\* Jul. 30, 2013**

(54) **CASING FOR A PORTABLE SOLAR PANEL**

(75) Inventors: **Robin Blake Kiran Chilton**, London (GB); **Sean Sun**, Shenzhen (KY)

(73) Assignee: **D.Light Design, Inc.**, Grand Cayman (KY)

(\*\*) Term: **14 Years**

(21) Appl. No.: **29/430,009**

(22) Filed: **Aug. 20, 2012**

(51) **LOC (9) Cl.** ..... **13-02**

(52) **U.S. Cl.**  
USPC ..... **D13/102**

(58) **Field of Classification Search**  
USPC . D13/102, 101, 103, 107, 108, 199; 136/206, 136/243, 244, 245, 252; 320/101, 102, 114, 320/115, 120  
See application file for complete search history.

(56) **References Cited**

U.S. PATENT DOCUMENTS

4,786,851	A *	11/1988	Fuji et al. ....	320/101
5,522,943	A *	6/1996	Spencer et al. ....	136/245
D391,921	S *	3/1998	Zimmer et al. ....	D13/102
D395,279	S *	6/1998	Peress et al. ....	D13/107

6,476,311	B1 *	11/2002	Lee et al. ....	136/244
D489,680	S *	5/2004	Stobart ....	D13/107
D559,174	S *	1/2008	Sharma et al. ....	D13/102
D578,961	S *	10/2008	Fisher et al. ....	D13/108
D610,080	S *	2/2010	Kawakami et al. ....	D13/102
D620,431	S *	7/2010	Sasada et al. ....	D13/102
D647,048	S *	10/2011	Sasada et al. ....	D13/102

\* cited by examiner

*Primary Examiner* — Derrick Holland

(74) *Attorney, Agent, or Firm* — Brett Lovejoy; Morgan, Lewis & Bockius LLP

(57) **CLAIM**

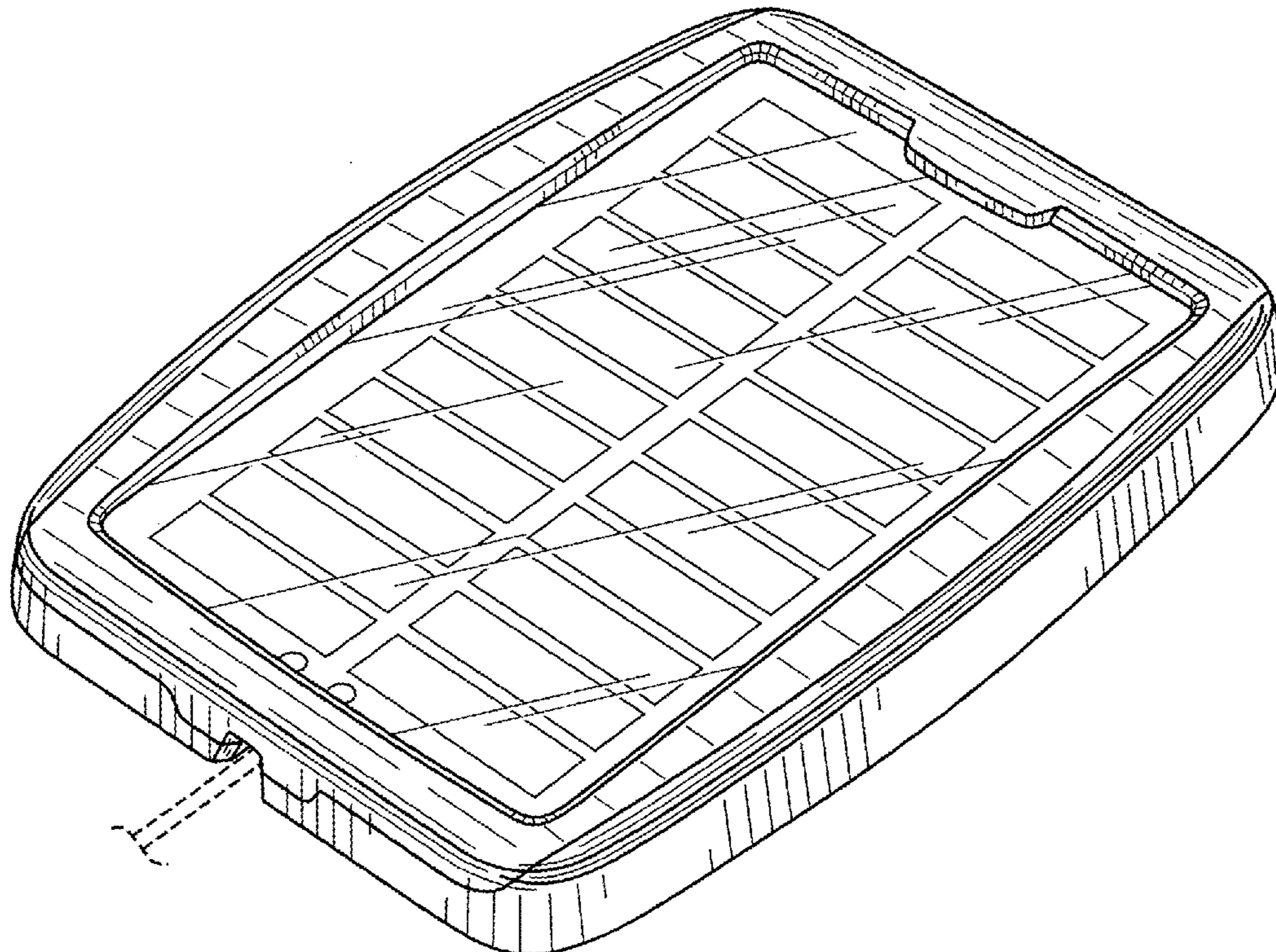
The ornamental design for a casing for a portable solar panel, as shown and described.

**DESCRIPTION**

FIG. 1 is a front-top perspective view of a casing for a portable solar panel showing our new design;  
FIG. 2 is a top view thereof;  
FIG. 3 is a bottom view thereof;  
FIG. 4 is a side view thereof;  
FIG. 5 is a front view thereof; and,  
FIG. 6 is a back view thereof.

The broken lines shown represent unclaimed subject matter and form no part of the claimed design.

**1 Claim, 6 Drawing Sheets**



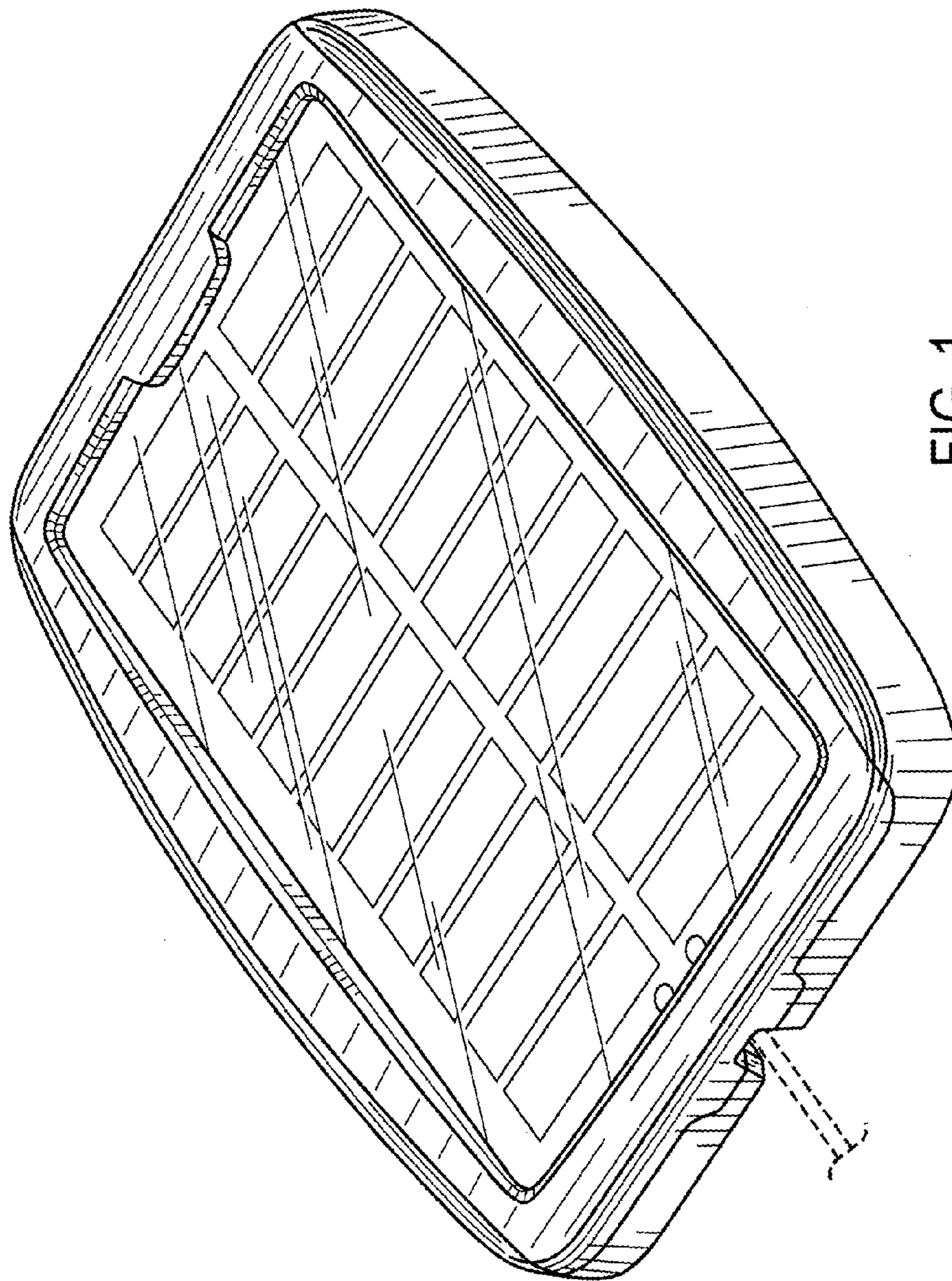


FIG. 1

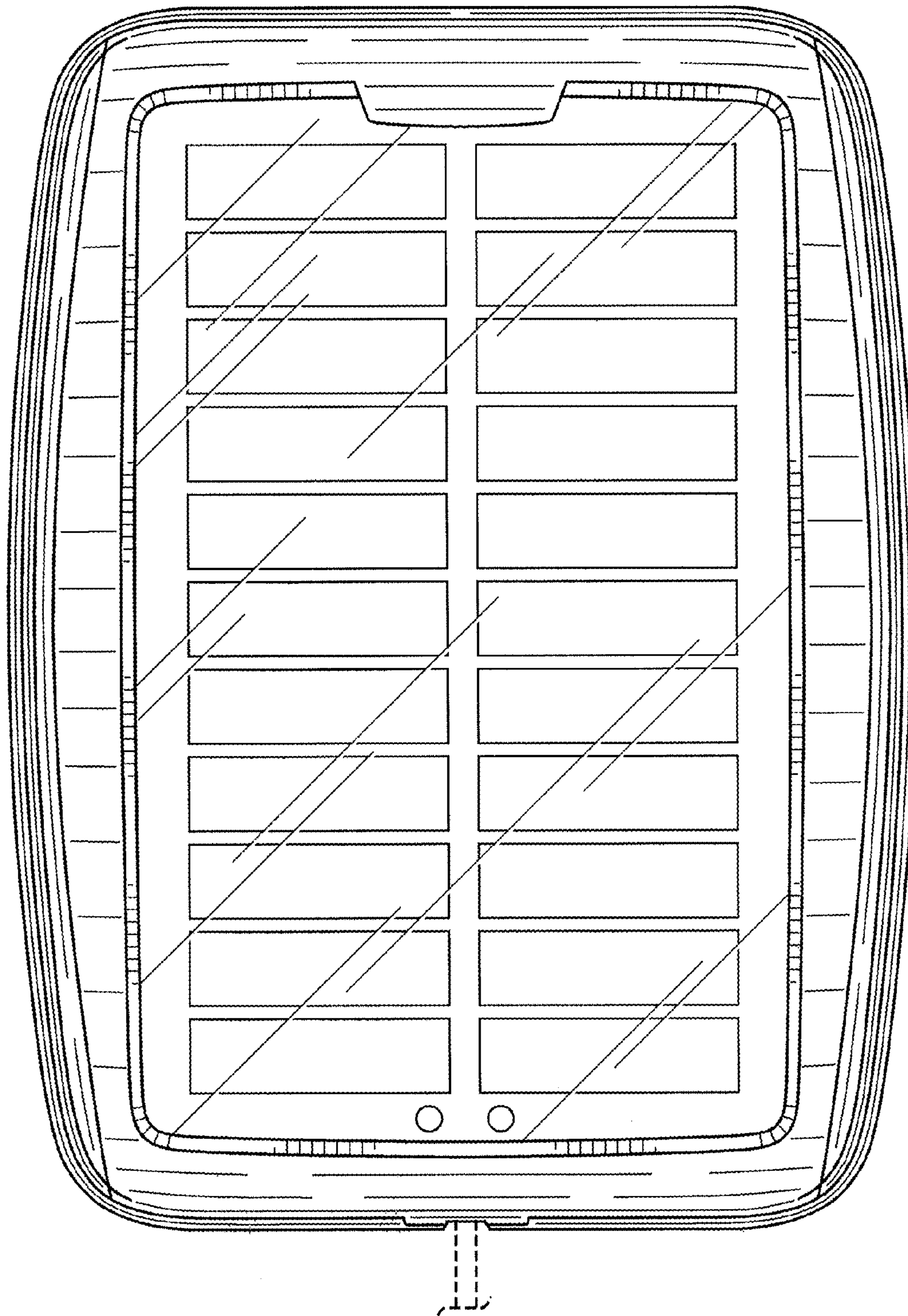


FIG. 2

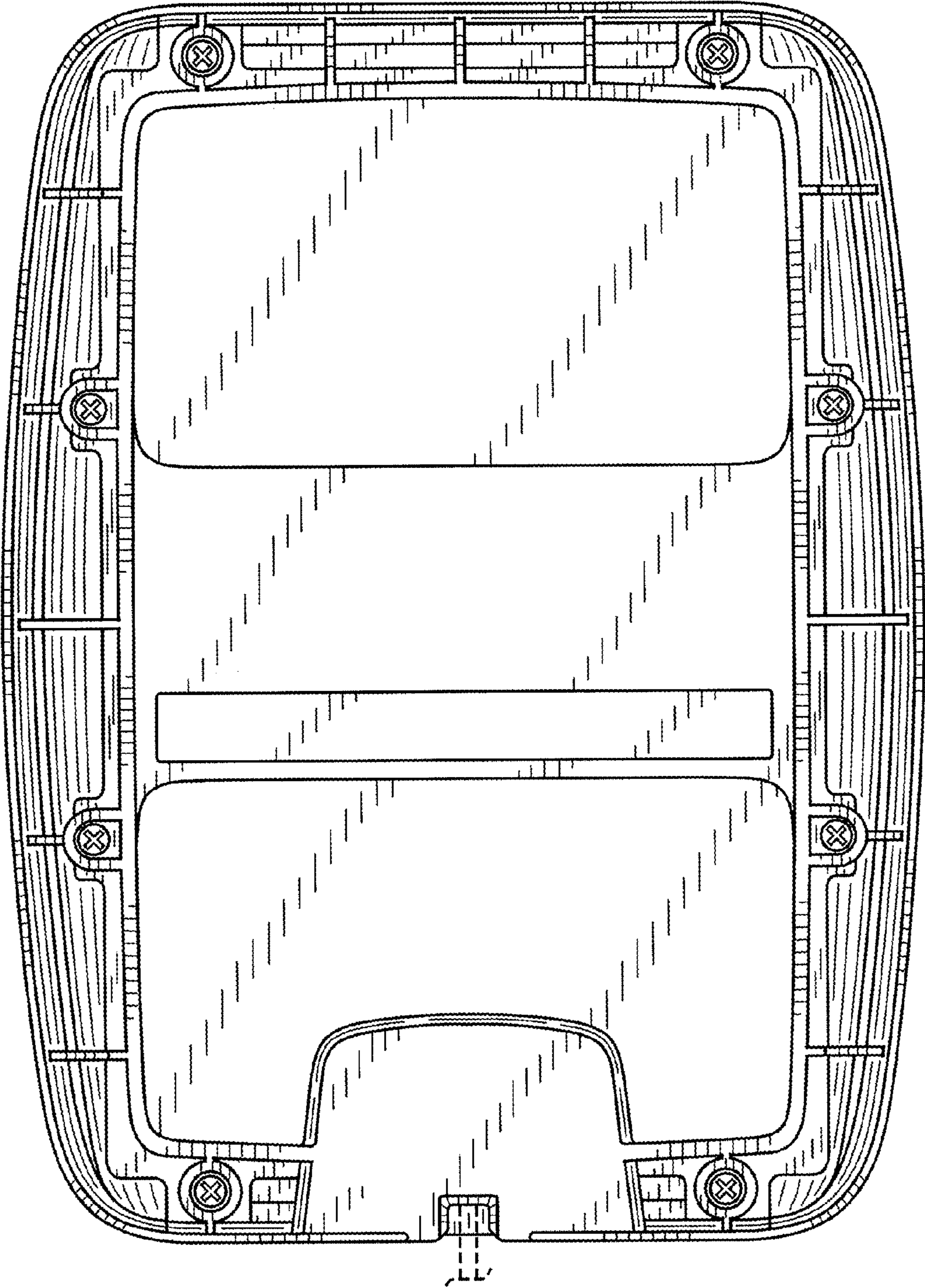


FIG. 3

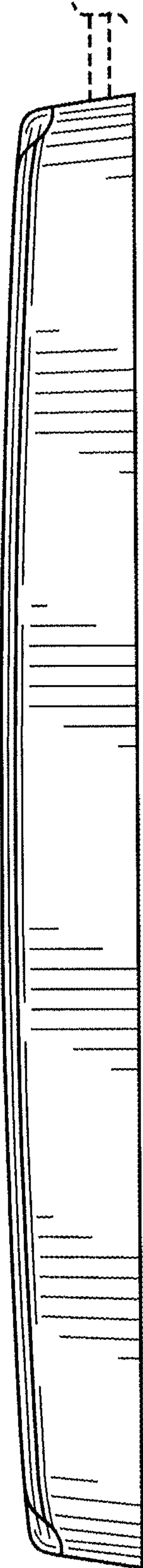


FIG. 4

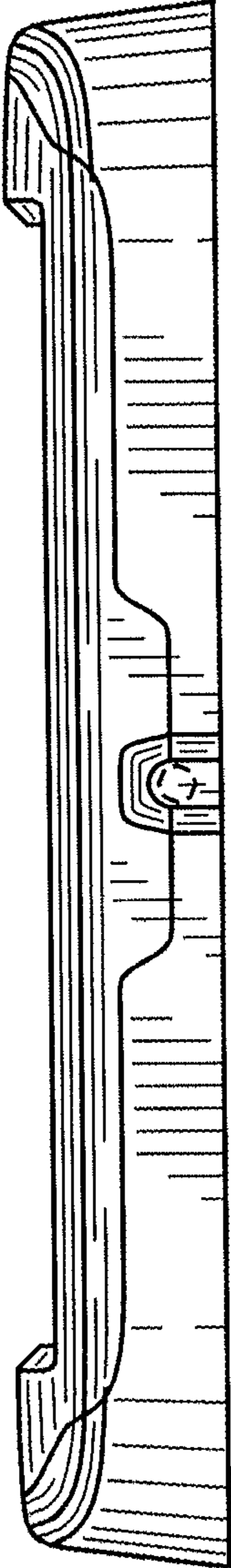


FIG. 5

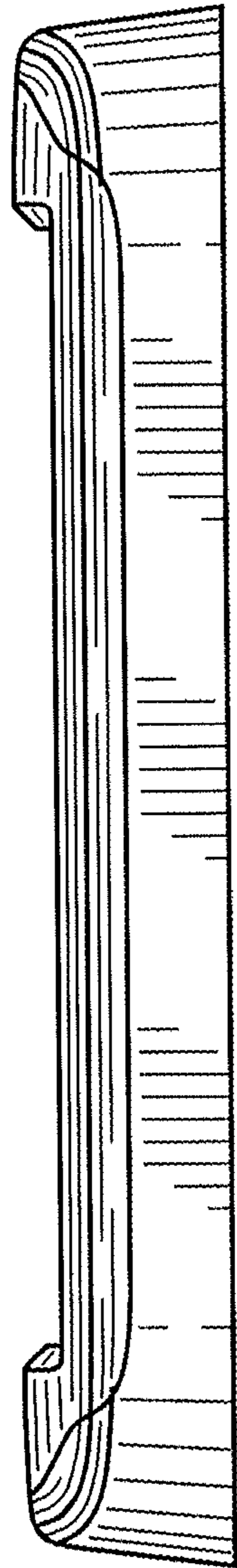


FIG. 6