



US00D686978S

(12) **United States Design Patent**  
**Nicholson et al.**

(10) **Patent No.:** **US D686,978 S**  
(45) **Date of Patent:** **\*\* Jul. 30, 2013**

(54) **FOUR POSITION PANEL MOUNT  
RECEPTACLE SHELL FOR  
TOOL-RELEASABLE SOLAR POWER  
CONNECTOR**

(75) Inventors: **Jason Nicholson**, Westborough, MA  
(US); **Christine M Svelnis**, Boylston,  
MA (US); **Jeffrey S Burkhardt**,  
Brookline, NH (US)

(73) Assignee: **Anderson Power Products, Inc.**,  
Sterling, MA (US)

(\*\*) Term: **14 Years**

(21) Appl. No.: **29/403,965**

(22) Filed: **Oct. 13, 2011**

(51) **LOC (9) Cl.** ..... **13-02**

(52) **U.S. Cl.**  
USPC ..... **D13/102**

(58) **Field of Classification Search**  
USPC ..... D13/102, 101, 118, 133, 146, 147,  
D13/151, 154, 156, 184, 199; 126/651, 652,  
126/653, 654, 655, 659, 666; 439/207, 211,  
439/283, 304, 310, 311, 325, 338, 344, 345,  
439/350, 367, 370, 374, 527, 894, 901

See application file for complete search history.

(56) **References Cited**

U.S. PATENT DOCUMENTS

|           |      |         |                     |         |
|-----------|------|---------|---------------------|---------|
| 4,319,733 | A    | 3/1982  | Hanna et al.        |         |
| D324,206  | S    | 2/1992  | Sueyoshi et al.     |         |
| 6,142,787 | A    | 11/2000 | Ikesugi             |         |
| 6,203,355 | B1   | 3/2001  | Neblett et al.      |         |
| 6,241,540 | B1   | 6/2001  | Tokuwa              |         |
| 6,312,285 | B1 * | 11/2001 | Berg et al.         | 439/545 |
| 6,325,647 | B1   | 12/2001 | May et al.          |         |
| 6,346,002 | B1   | 2/2002  | Hsu et al.          |         |
| 6,485,315 | B1   | 11/2002 | Hwang               |         |
| 6,494,729 | B1   | 12/2002 | Stathopoulos et al. |         |
| D474,743  | S    | 5/2003  | Cheng               |         |
| 6,655,971 | B2   | 12/2003 | Maegawa             |         |

|              |     |         |                 |         |
|--------------|-----|---------|-----------------|---------|
| 6,814,606    | B2  | 11/2004 | Kobayashi       |         |
| 6,953,285    | B2  | 10/2005 | Mickiewicz      |         |
| 7,125,290    | B2  | 10/2006 | Martin et al.   |         |
| D547,262     | S * | 7/2007  | Ullman          | D13/102 |
| 7,255,580    | B2  | 8/2007  | Foltz et al.    |         |
| 7,267,570    | B2  | 9/2007  | Fry, Jr. et al. |         |
| 7,393,234    | B1  | 7/2008  | Chien et al.    |         |
| D594,413     | S   | 6/2009  | Palka et al.    |         |
| 7,547,149    | B2  | 6/2009  | Ice             |         |
| D604,246     | S   | 11/2009 | Mancini         |         |
| D613,246     | S   | 4/2010  | Muecke et al.   |         |
| D620,888     | S   | 8/2010  | Svelnis et al.  |         |
| D621,355     | S   | 8/2010  | Svelnis         |         |
| D627,733     | S   | 11/2010 | Stutz           |         |
| D636,346     | S   | 4/2011  | Svelnis et al.  |         |
| D639,250     | S   | 6/2011  | Svelnis et al.  |         |
| D643,371     | S   | 8/2011  | Svelnis et al.  |         |
| D659,098     | S * | 5/2012  | Svelnis et al.  | D13/151 |
| D673,903     | S * | 1/2013  | Kobayashi       | D13/102 |
| 2006/0276071 | A1  | 12/2006 | Rossi           |         |

\* cited by examiner

*Primary Examiner* — Derrick Holland

(74) *Attorney, Agent, or Firm* — Maine Cernota & Rardin

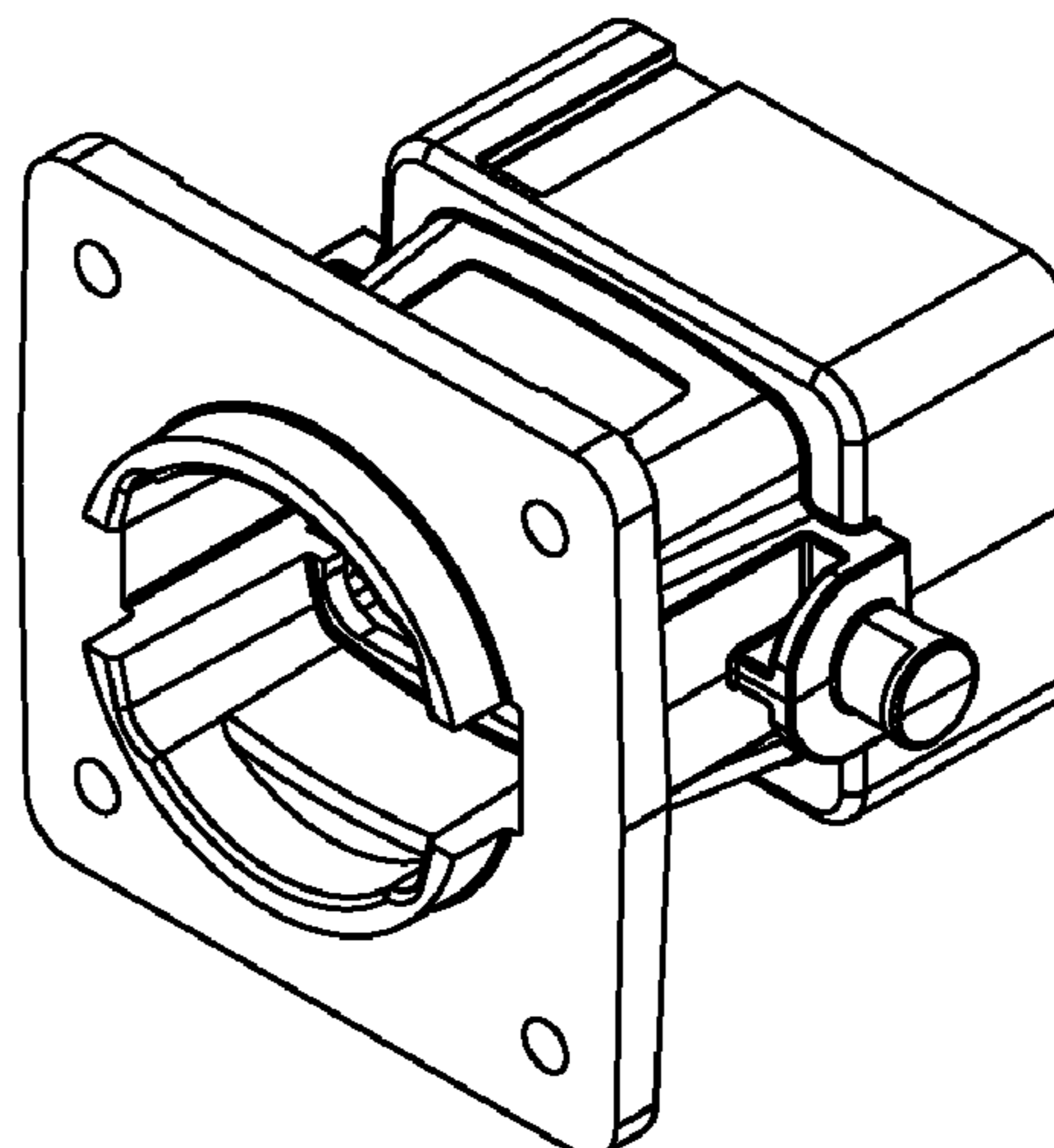
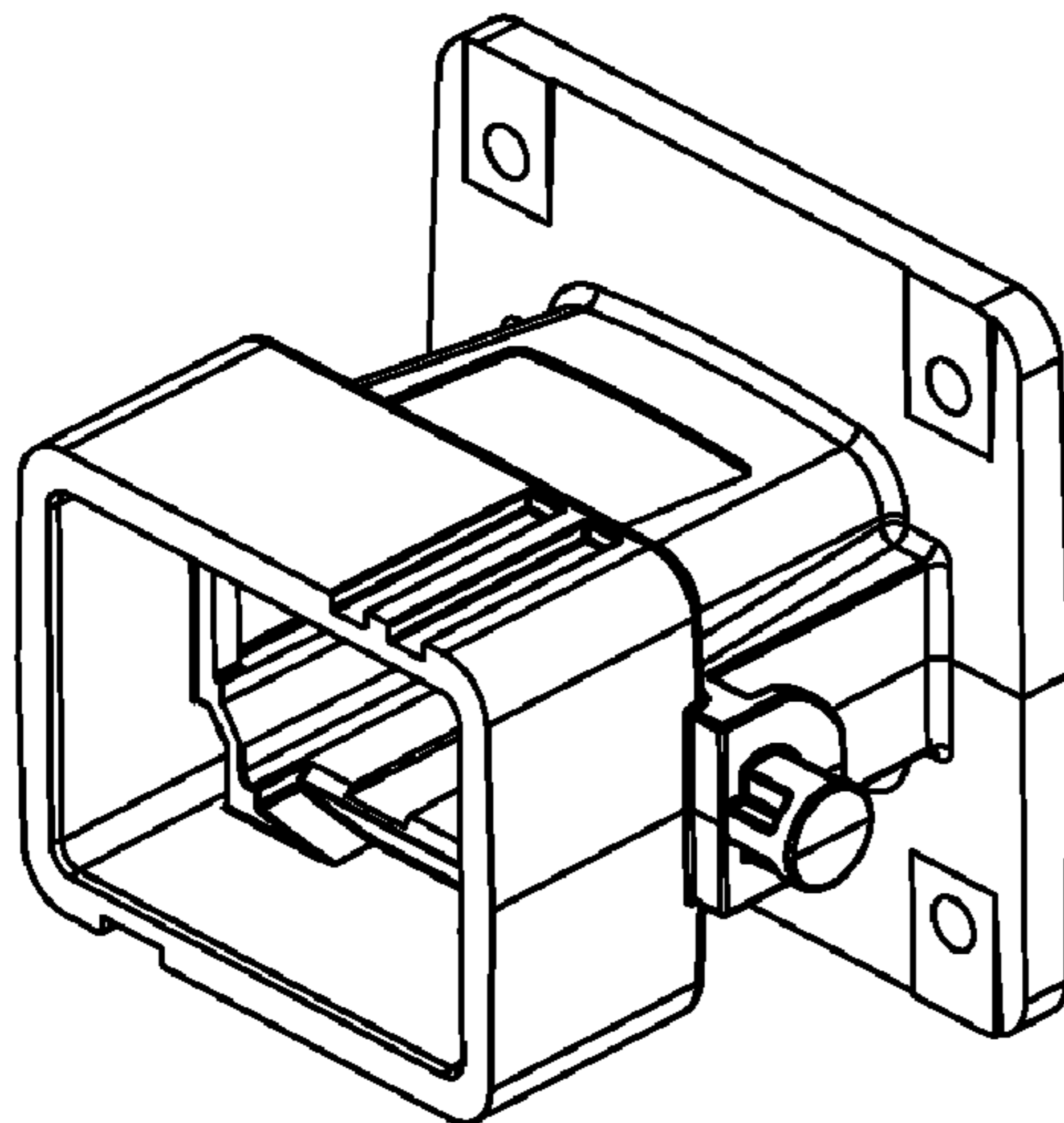
(57) **CLAIM**

The ornamental design for a four position panel mount receptacle shell for tool-releasable solar power connector, as shown and described.

**DESCRIPTION**

FIG. 1 is a front view of a four position panel mount receptacle shell for tool-releasable solar power connector.  
FIG. 2 is a back view thereof;  
FIG. 3 is a left side view thereof;  
FIG. 4 is a right side view thereof;  
FIG. 5 is a top view thereof;  
FIG. 6 is a bottom view thereof;  
FIG. 7 is a front, top perspective view thereof;  
FIG. 8 is a back, bottom perspective view thereof;  
FIG. 9 is a front, bottom perspective view thereof;  
FIG. 10 is a front, right perspective view thereof; and,  
FIG. 11 is a bottom, left perspective view thereof.

**1 Claim, 11 Drawing Sheets**



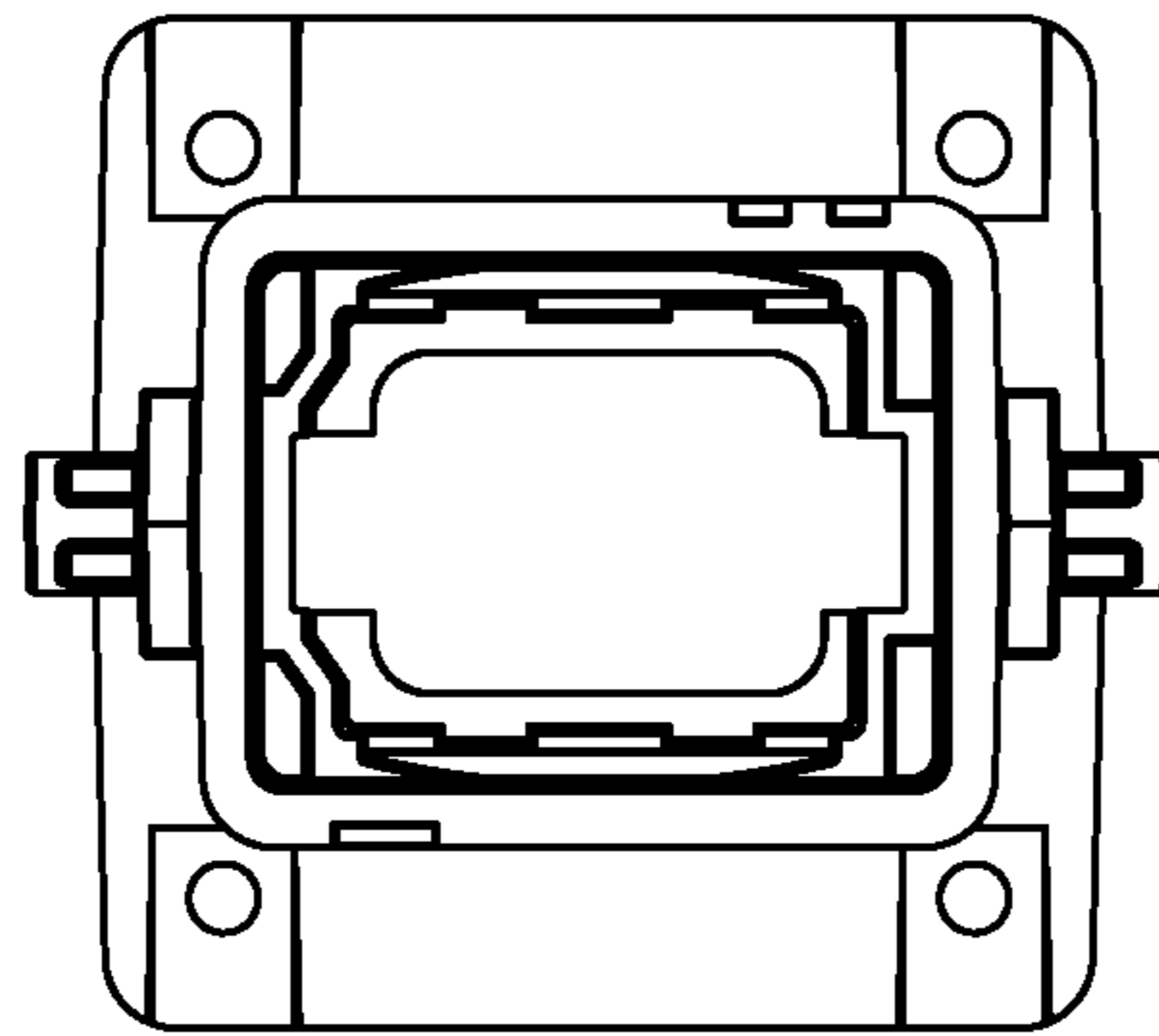


FIG. 1

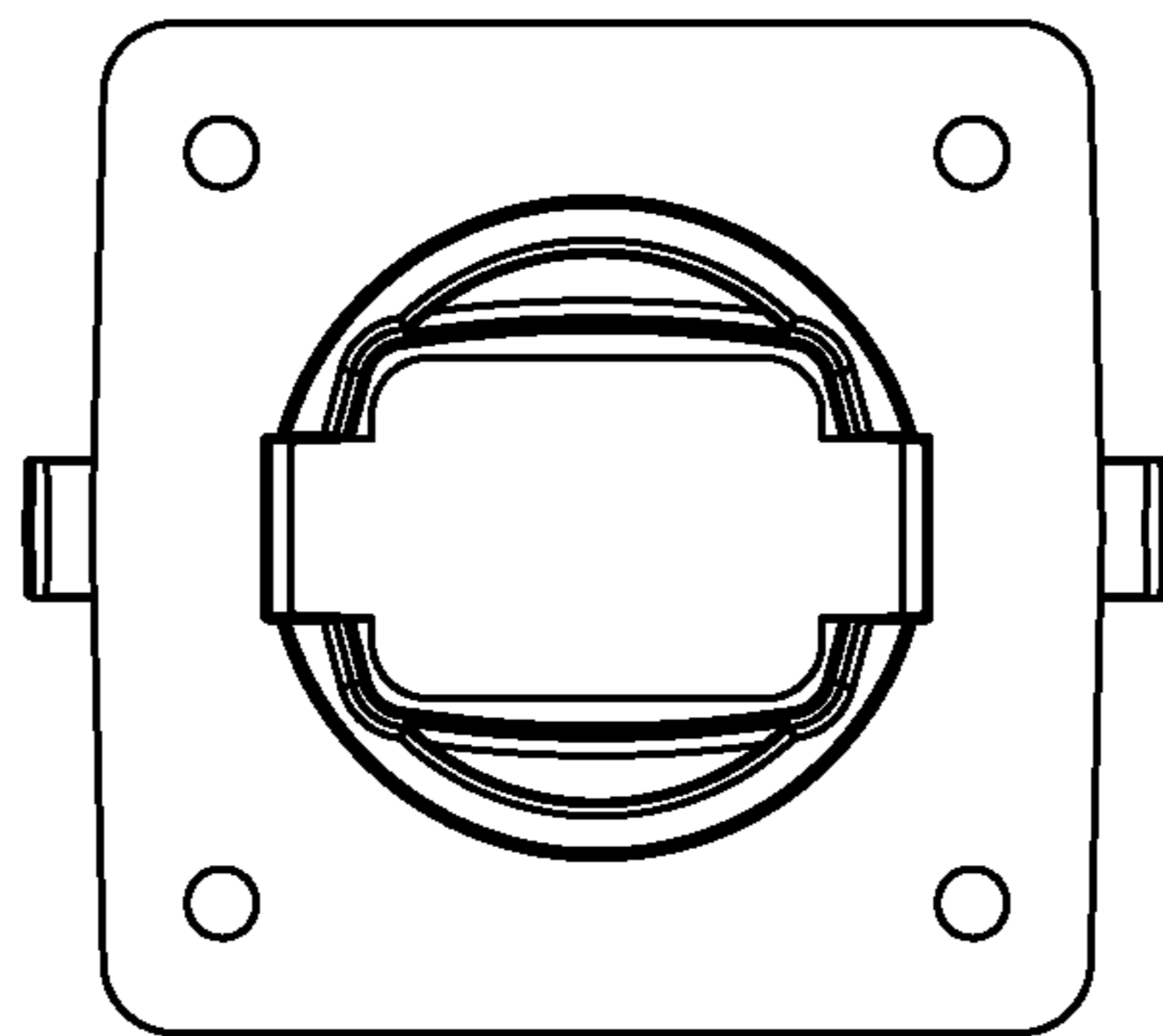


FIG. 2

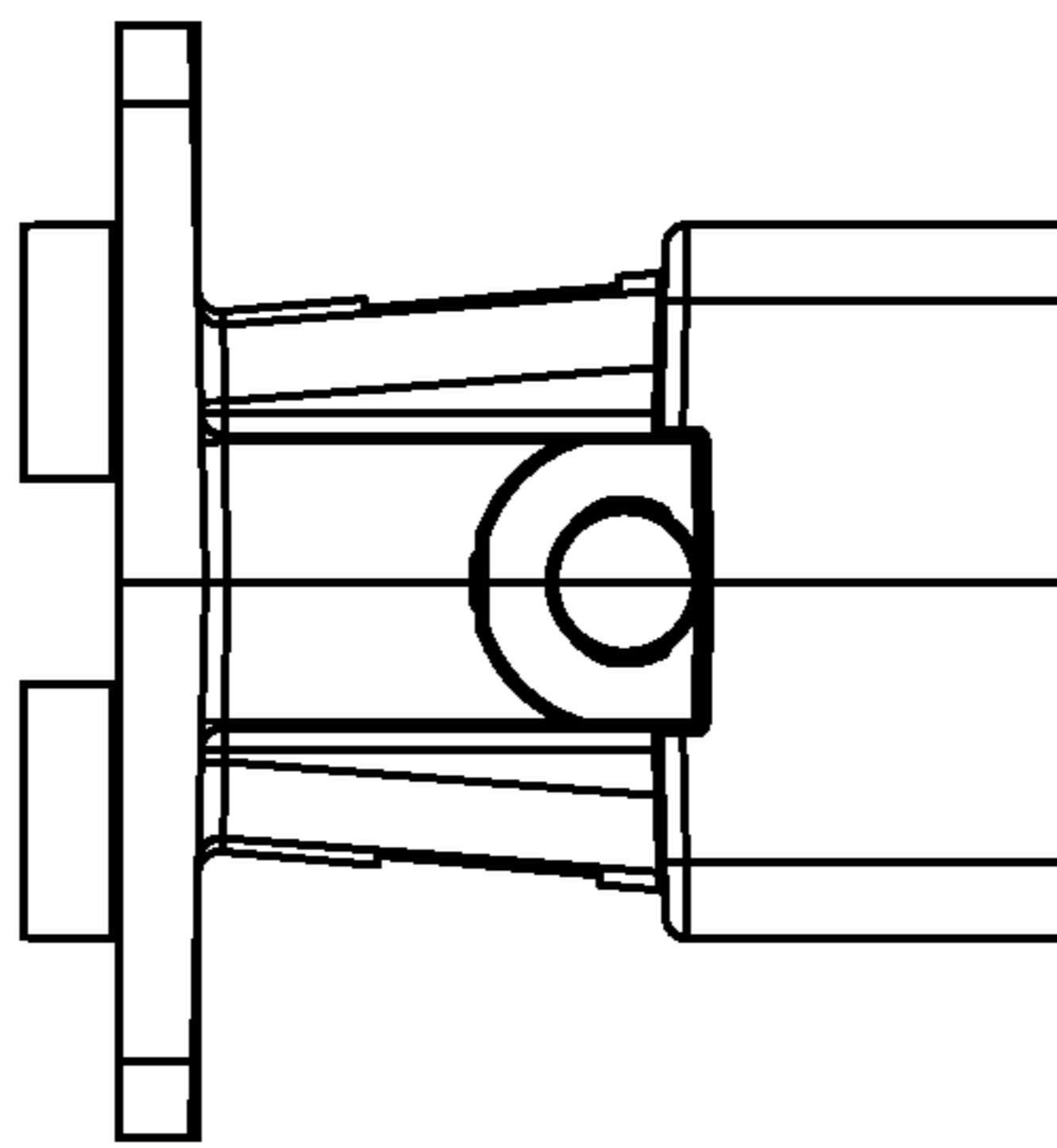


FIG. 3

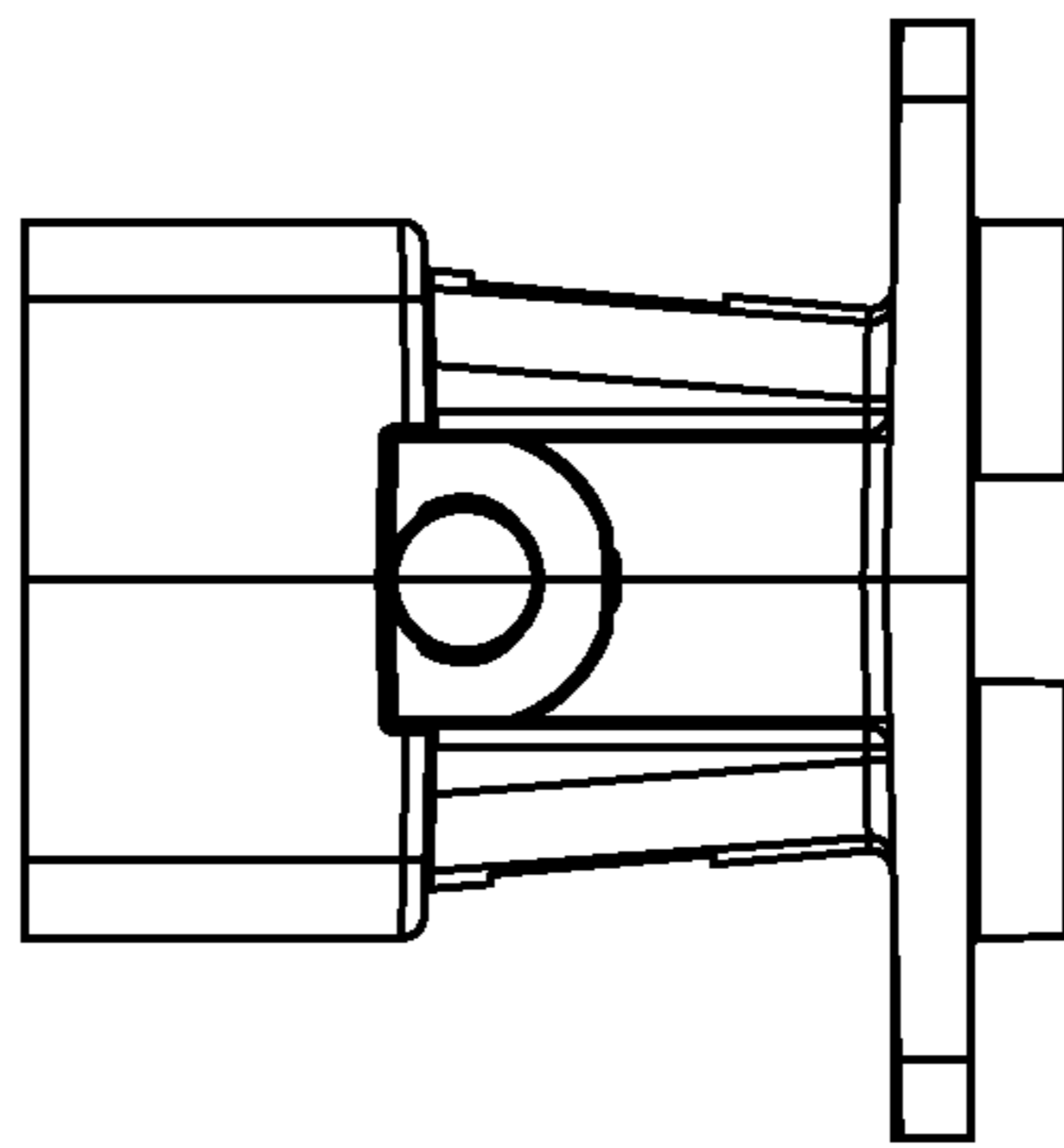


FIG. 4

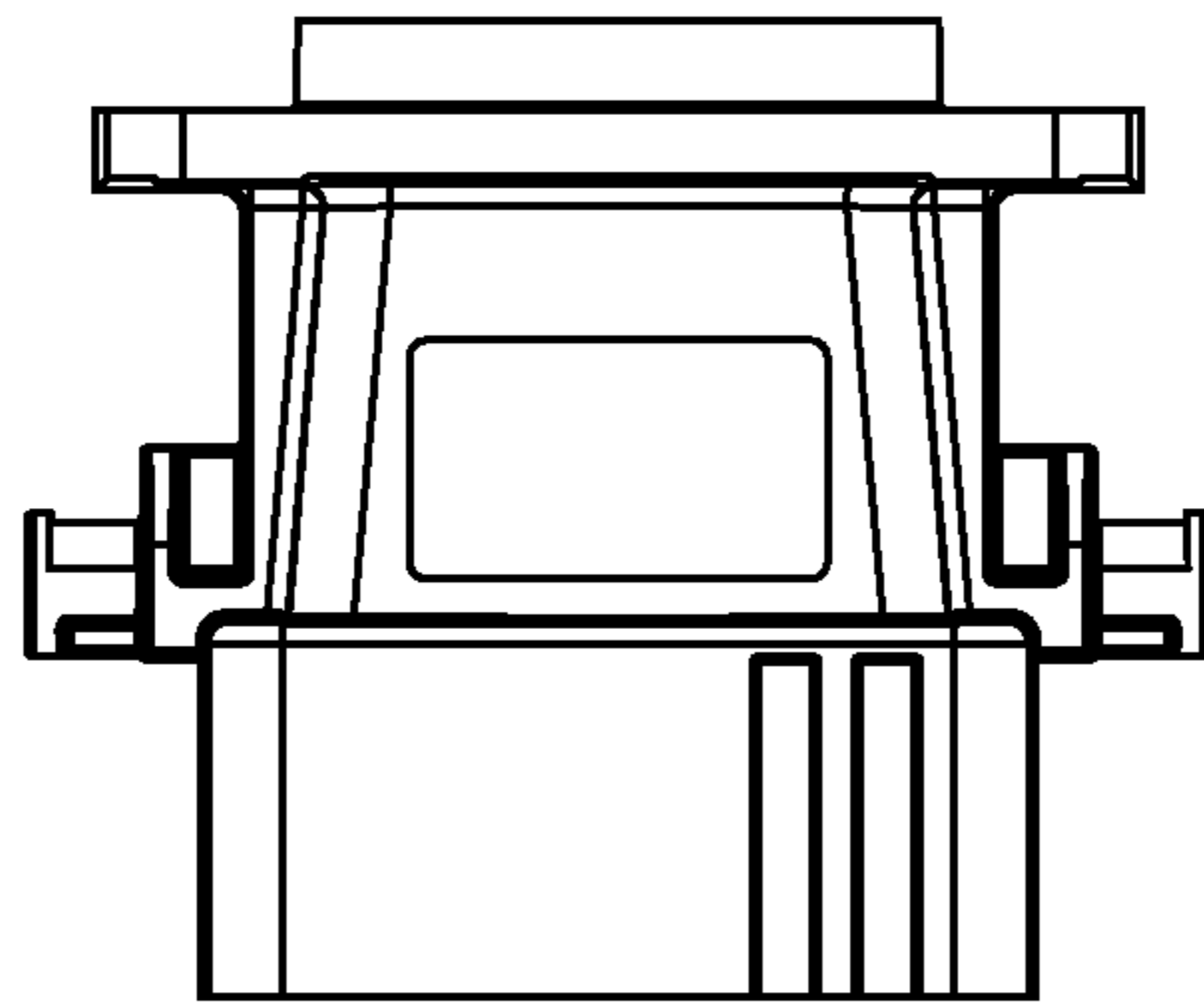


FIG. 5

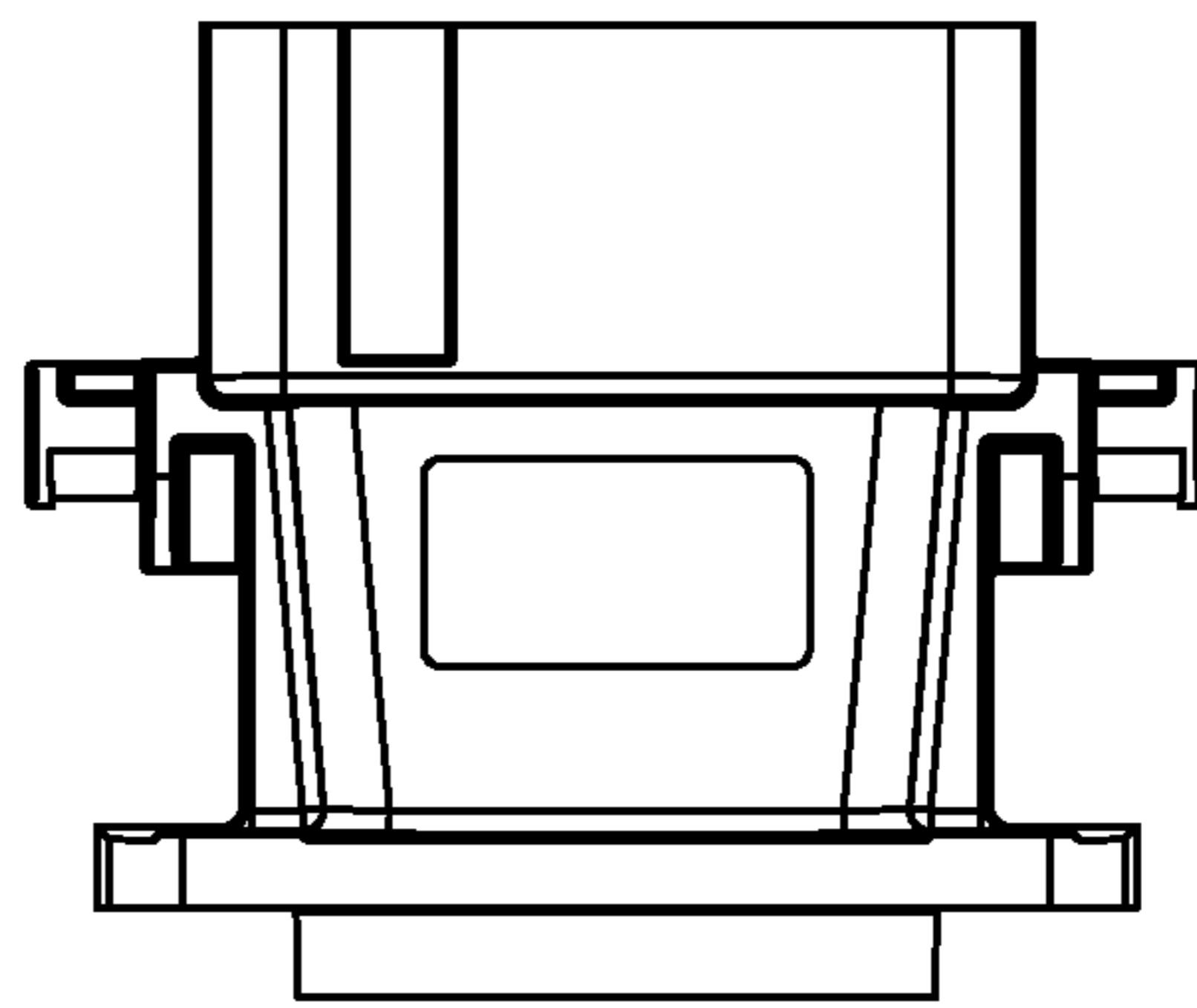


FIG. 6

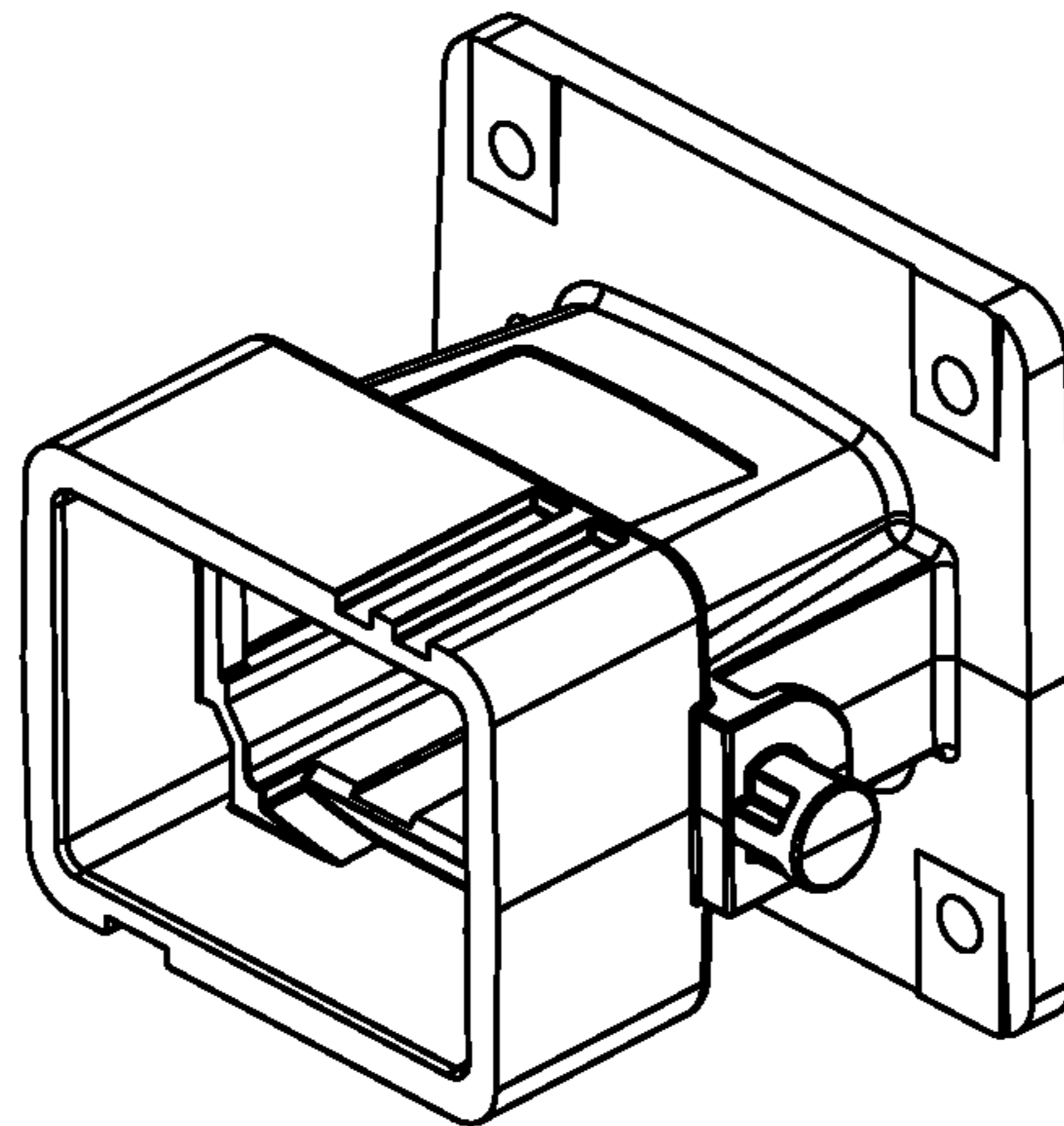


FIG. 7



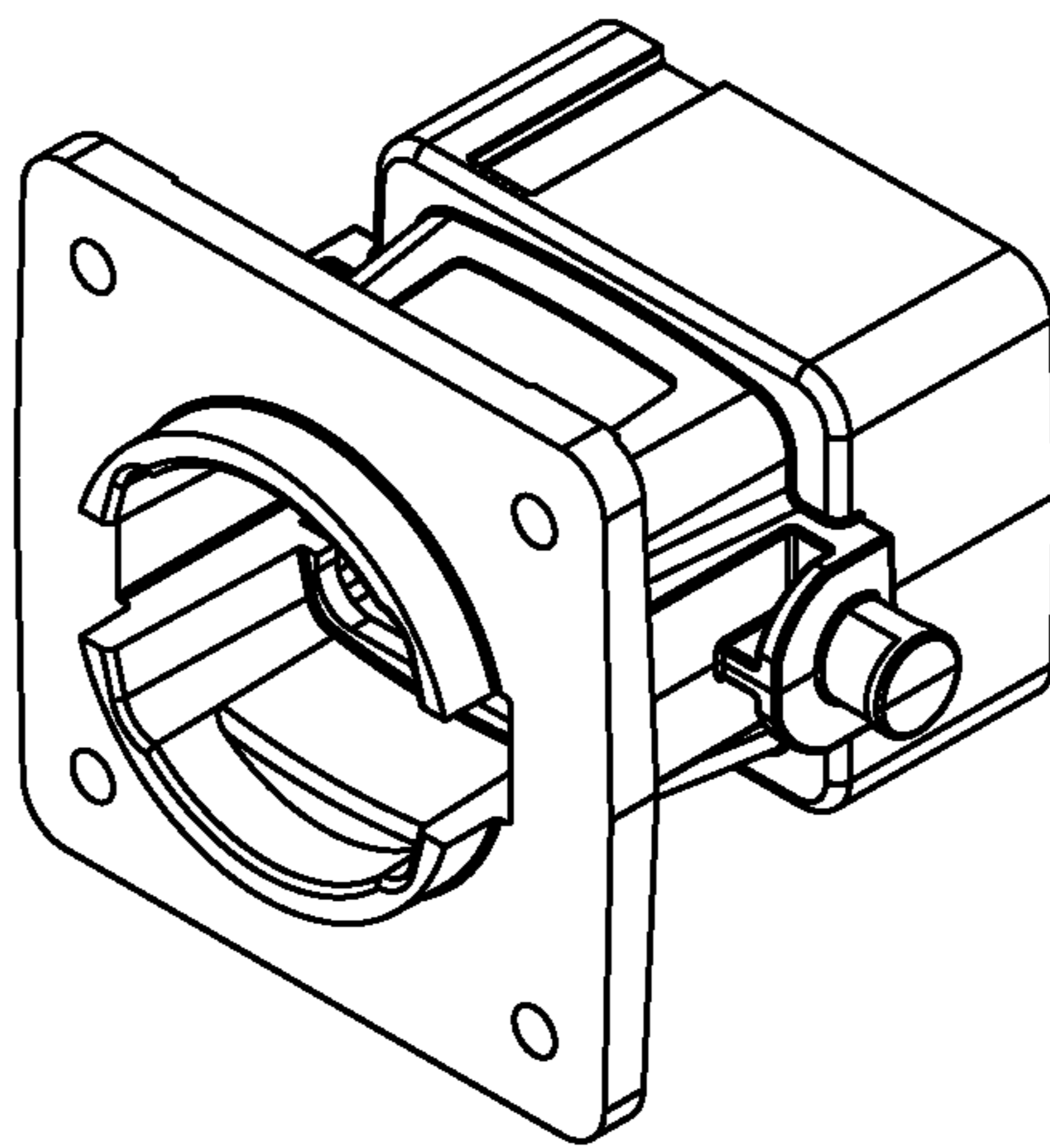


FIG. 8

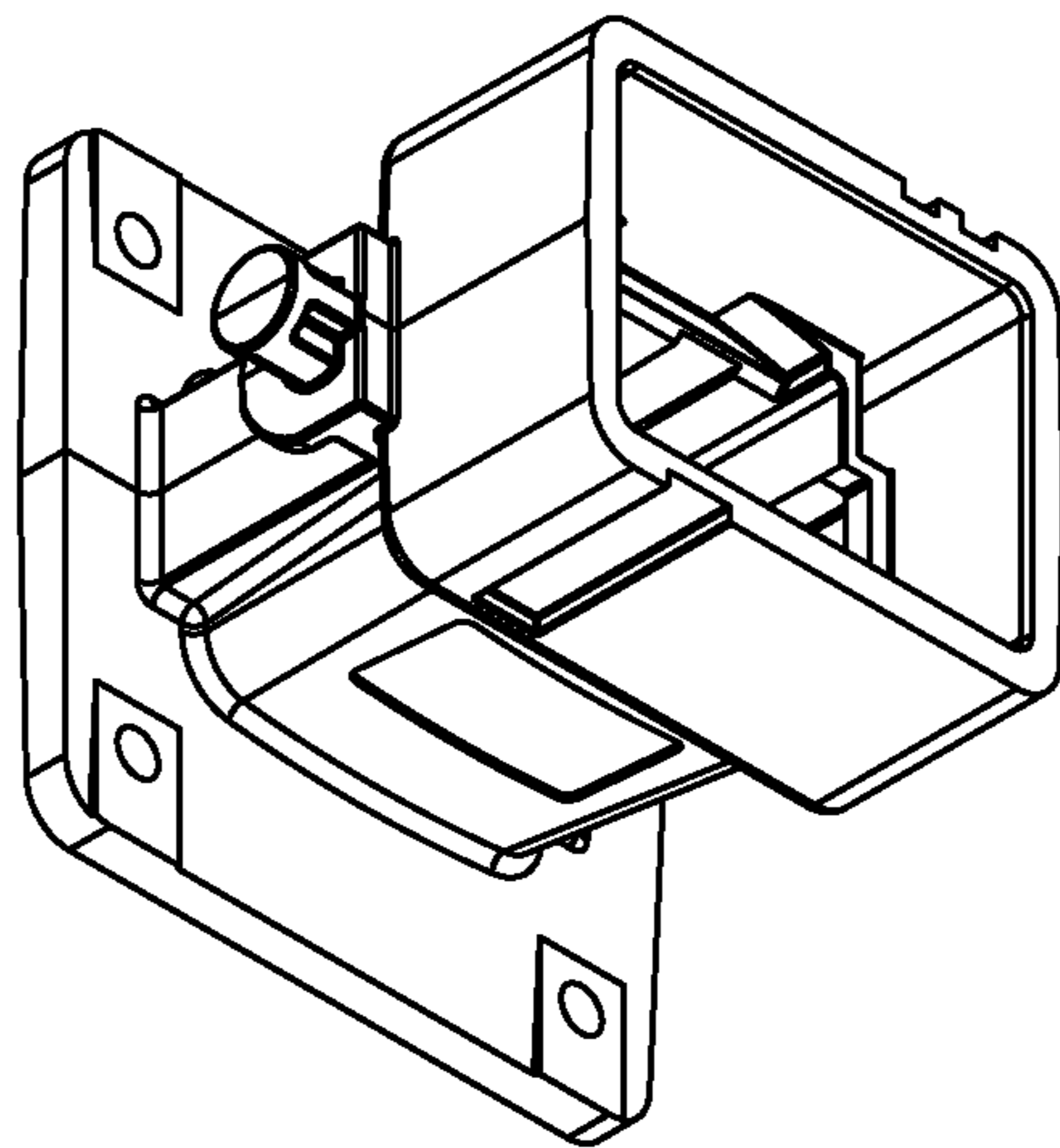


FIG. 9

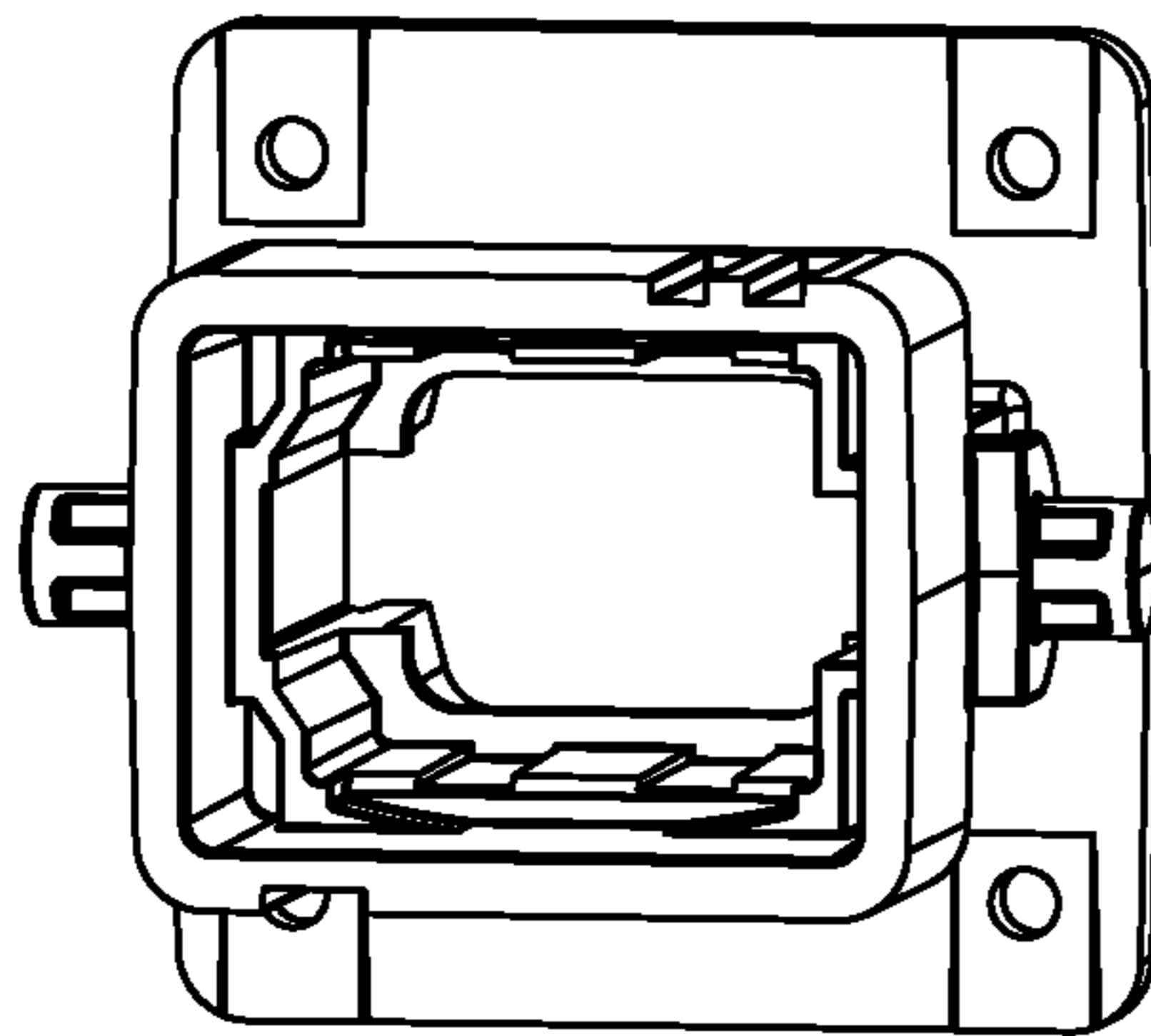


FIG. 10

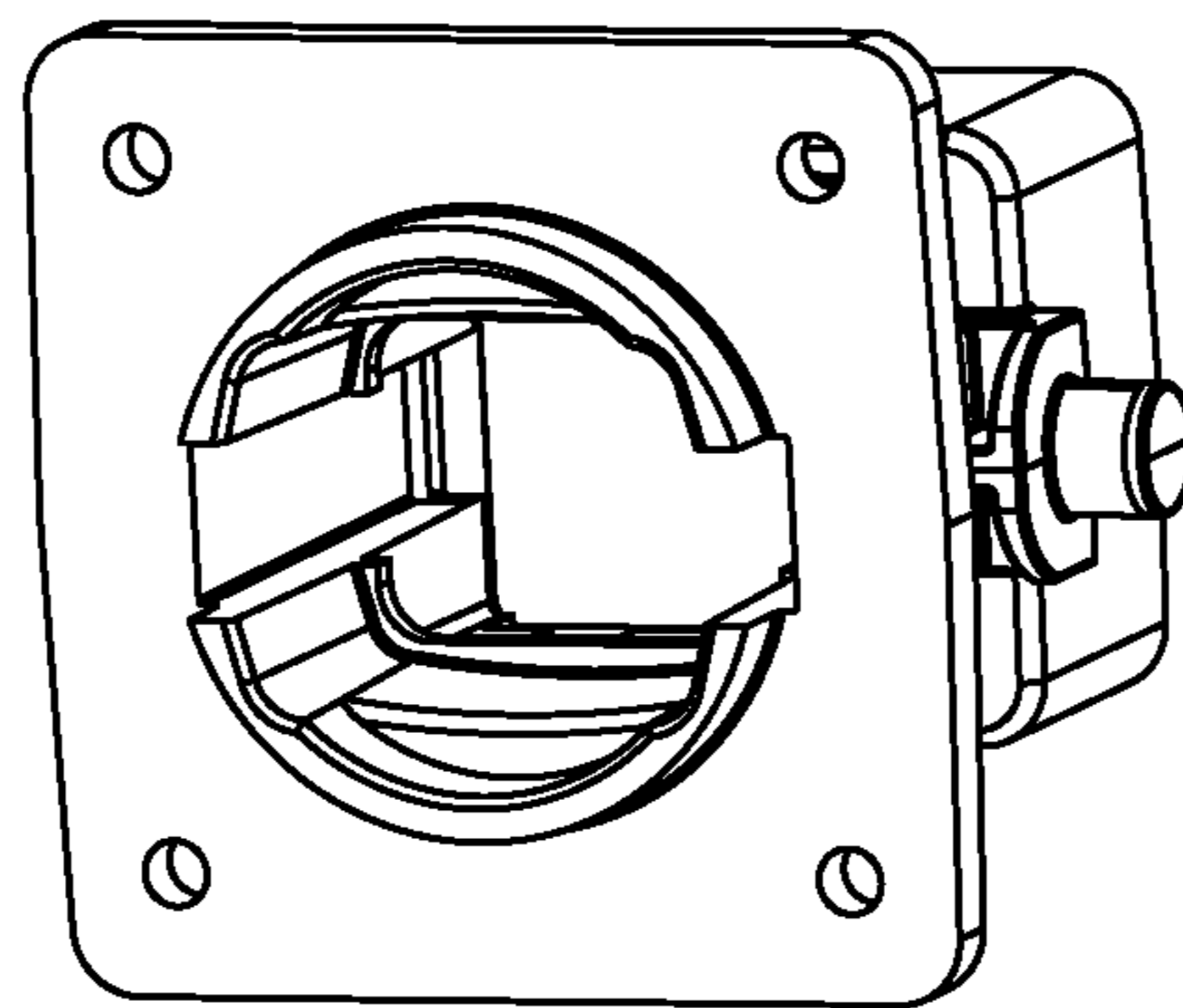


FIG. 11