



US00D686969S

(12) **United States Design Patent**
Finbow

(10) **Patent No.:** **US D686,969 S**

(45) **Date of Patent:** **** *Jul. 30, 2013**

(54) **WATERCRAFT DECK**

(75) Inventor: **Matthew James Finbow**, Uxbridge
(CA)

(73) Assignee: **Bionx Canada Inc.** (CA)

(*) Notice: This patent is subject to a terminal disclaimer.

(**) Term: **14 Years**

(21) Appl. No.: **29/420,826**

(22) Filed: **May 14, 2012**

Related U.S. Application Data

(63) Continuation of application No. 29/379,986, filed on Nov. 29, 2010, now Pat. No. Des. 662,028.

(51) **LOC (9) Cl.** **12-06**

(52) **U.S. Cl.**
USPC **D12/318**

(58) **Field of Classification Search**
USPC D12/300, 302, 303, 304, 307, 310-314,
D12/316, 317, 318; 114/39.11-39.15,
39.21-39.32, 61.1, 61.2, 61.32, 61.33, 62,
114/355-358, 371, 373, 288-292
See application file for complete search history.

(56) **References Cited**

U.S. PATENT DOCUMENTS

D245,902 S * 9/1977 Rogers D12/312
4,548,155 A * 10/1985 Hegg et al. 114/362

D306,007 S * 2/1990 DePrey et al. D12/318
D349,090 S * 7/1994 Wenstadt D12/318
D356,289 S * 3/1995 Trent D12/318
D407,060 S * 3/1999 Allison D12/300
D464,601 S * 10/2002 Aube et al. D12/300
D465,446 S * 11/2002 Aube D12/300
D547,256 S * 7/2007 Kalil D12/317
D578,951 S * 10/2008 Jones et al. D12/317
D610,959 S * 3/2010 Gros D12/300
D632,631 S * 2/2011 Quirin et al. D12/300
D634,695 S * 3/2011 Watkins et al. D12/317

* cited by examiner

Primary Examiner — Cynthia M Chin

(74) *Attorney, Agent, or Firm* — Cantor Colburn LLP

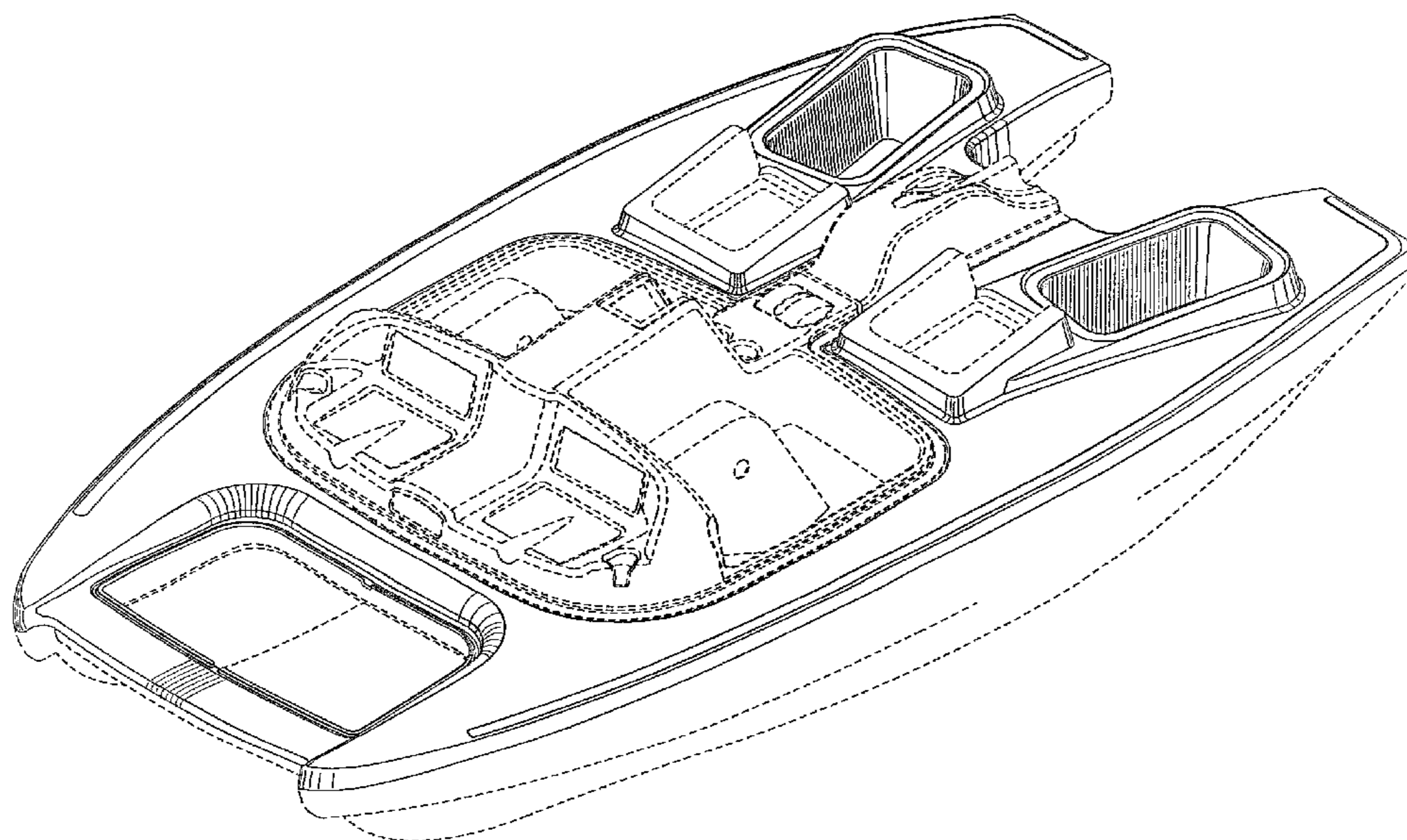
(57) **CLAIM**

The ornamental design for a watercraft deck, as shown and described.

DESCRIPTION

FIG. 1 is a perspective view of a watercraft deck, showing my new design;
FIG. 2 is an enlarged front elevation view thereof;
FIG. 3 is an enlarged rear elevation view thereof;
FIG. 4 is a side elevation view thereof, the opposite side being a mirror image thereof;
FIG. 5 is a top plan view thereof; and,
FIG. 6 is a bottom plan view thereof.
The broken lines shown are included for the purpose of illustrating the unclaimed portions of the article and form no part of the claimed design.

1 Claim, 6 Drawing Sheets



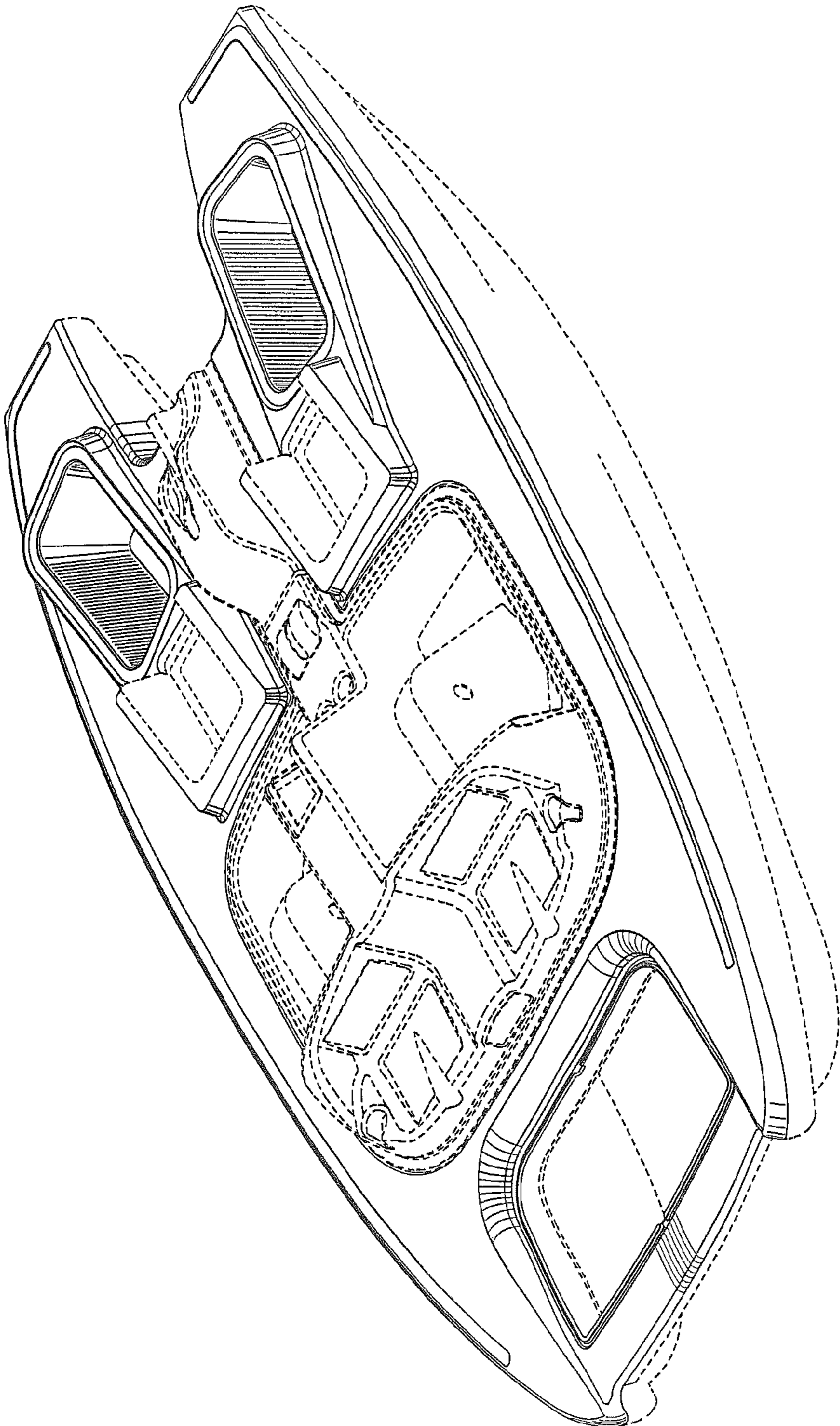


FIG. 1

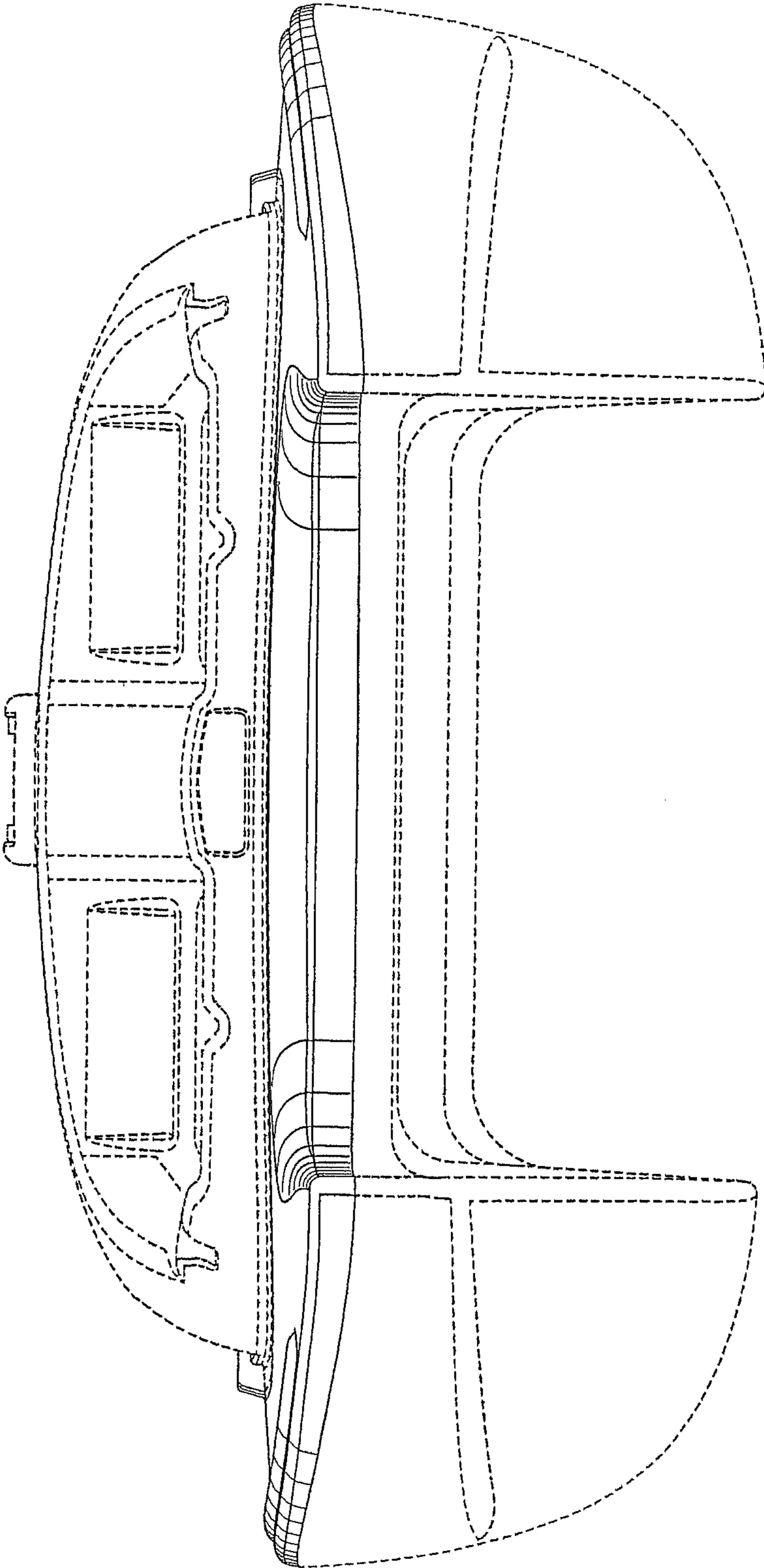


FIG. 2

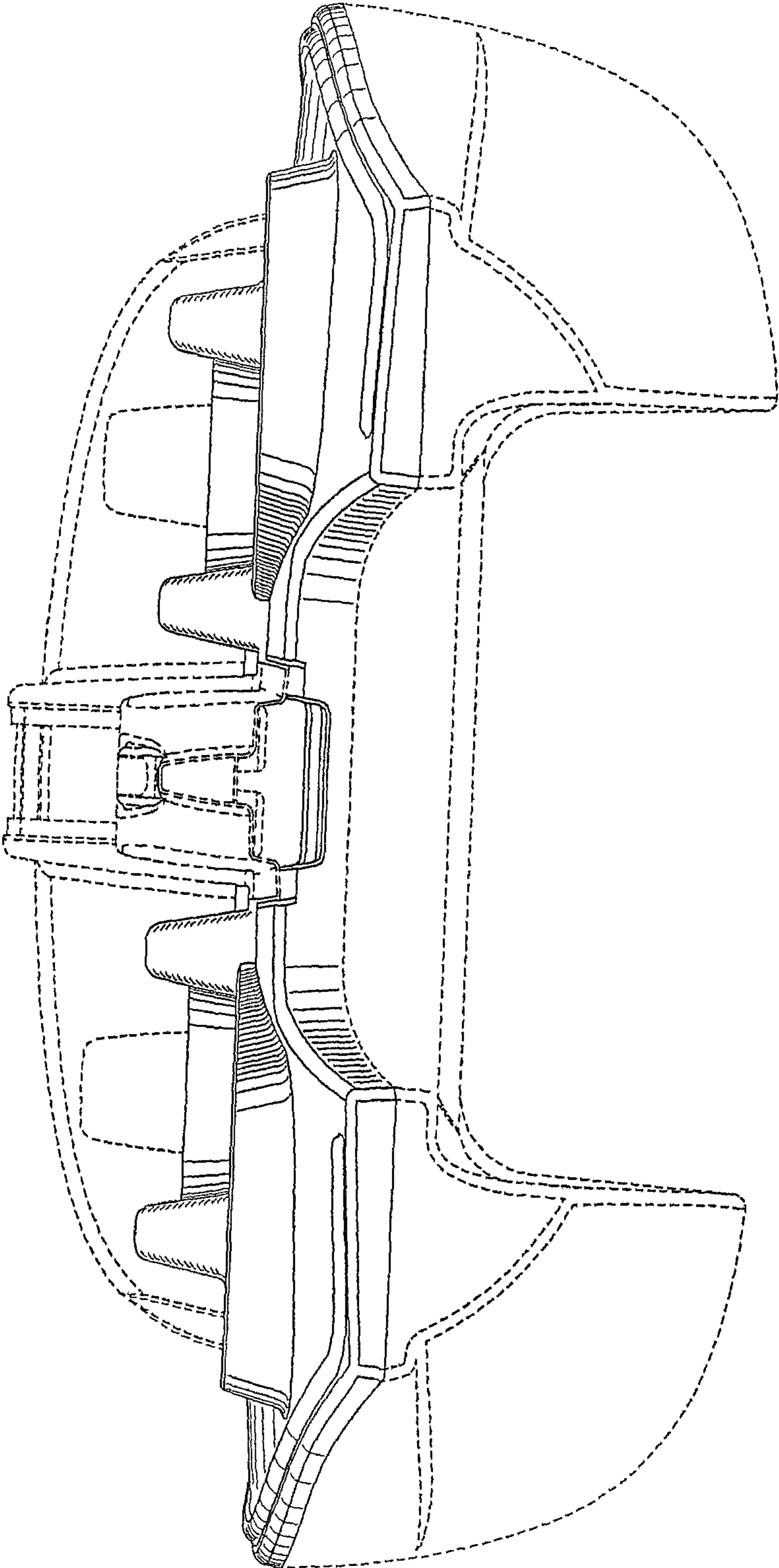


FIG. 3

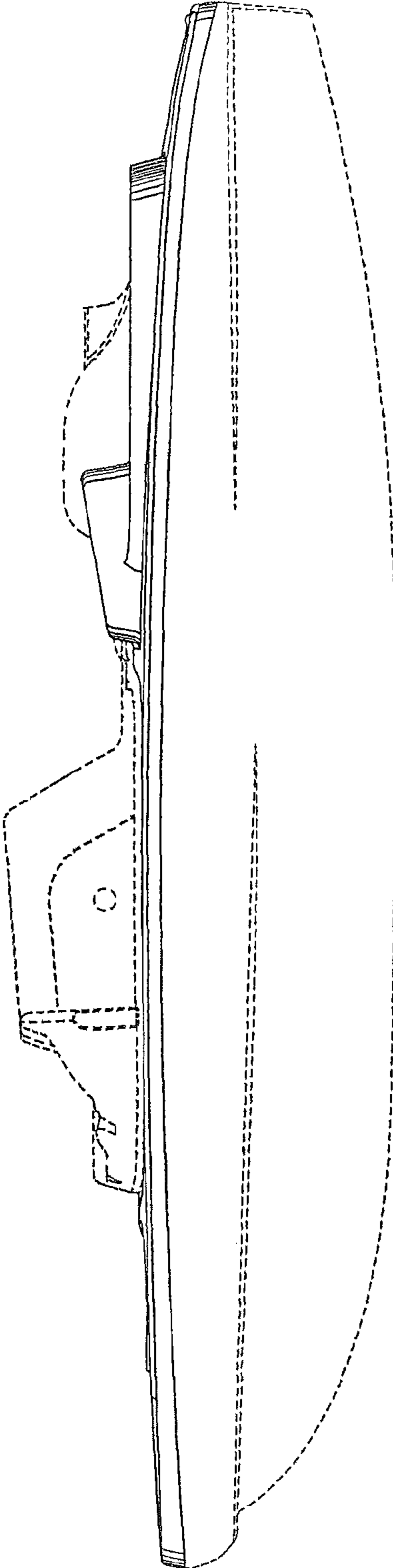


FIG. 4

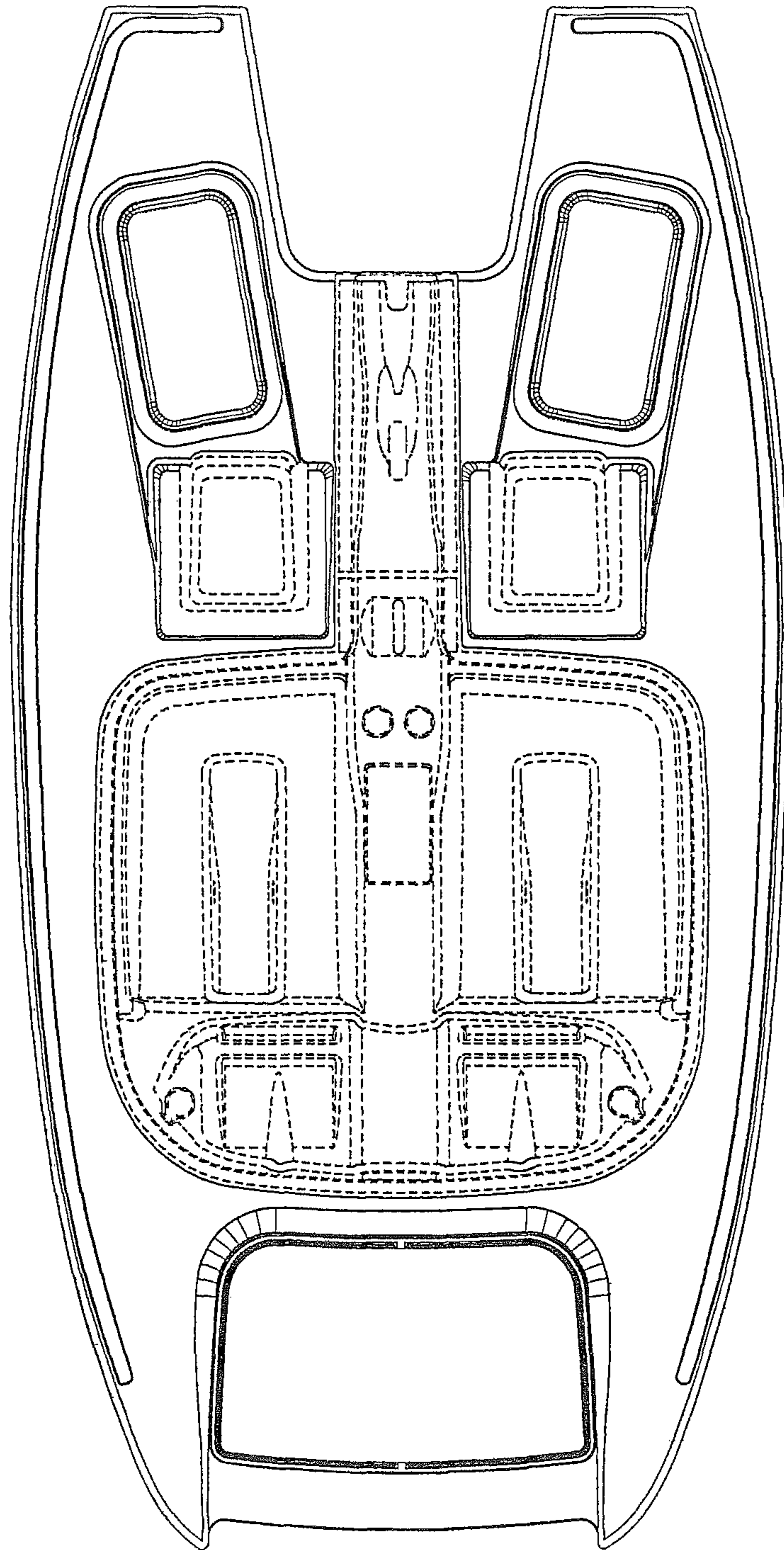


FIG. 5

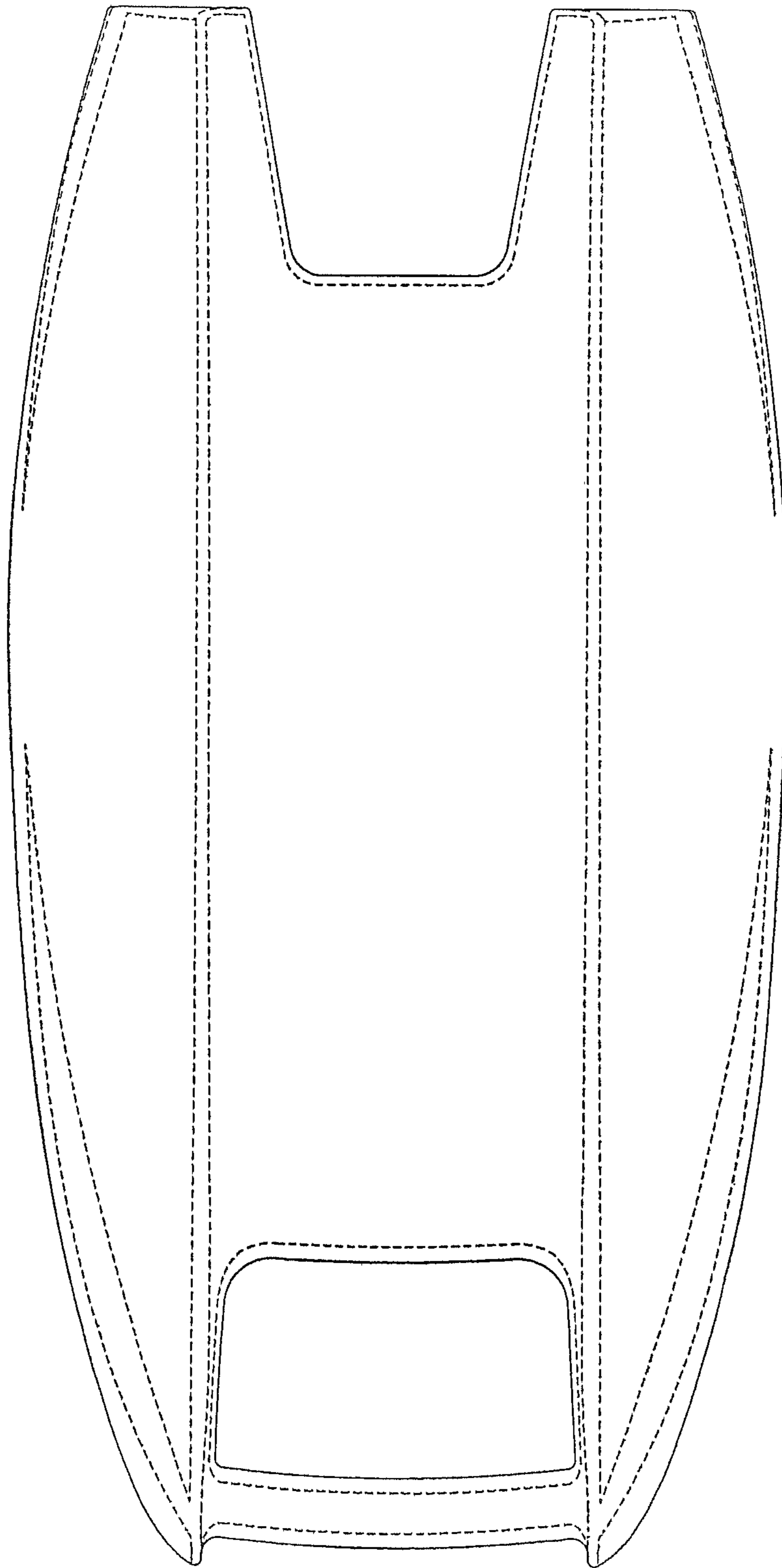


FIG. 6