



US00D686968S

(12) **United States Design Patent**
Gasper

(10) **Patent No.:** **US D686,968 S**
(45) **Date of Patent:** **** Jul. 30, 2013**

- (54) **WAKE TOWER**
- (75) Inventor: **Daniel Gasper**, Atwater, CA (US)
- (73) Assignee: **Malibu Boats, LLC**, Merced, CA (US)
- (**) Term: **14 Years**
- (21) Appl. No.: **29/430,437**
- (22) Filed: **Aug. 24, 2012**

- 3,925,836 A 12/1975 Simmonds
- 3,935,830 A 2/1976 Cox
- 3,949,698 A 4/1976 Sell
- 3,965,837 A 6/1976 Michael
- 3,987,746 A 10/1976 McCulloh
- 4,033,280 A 7/1977 Wood et al.

(Continued)

FOREIGN PATENT DOCUMENTS

- JP 04-071985 3/1992
- JP 07-277274 10/1995
- JP 2001-294195 10/2001

OTHER PUBLICATIONS

Various pages from *Wake Boarding Magazine*, from Dec. 2000 and earlier.

(Continued)

Primary Examiner — Cynthia M Chin

(74) *Attorney, Agent, or Firm* — Knobbe, Martens, Olson & Bear, LLP

Related U.S. Application Data

- (62) Division of application No. 29/356,573, filed on Feb. 26, 2010, now Pat. No. Des. 666,135.
- (51) **LOC (9) Cl.** **12-06**
- (52) **U.S. Cl.**
USPC **D12/317**
- (58) **Field of Classification Search**
USPC D12/300, 301, 310-314, 317, 318,
D12/114; 114/247, 249, 250, 253, 254, 343,
114/361, 364
See application file for complete search history.

(57) **CLAIM**

The ornamental design for a wake tower, as shown and described.

(56) **References Cited**

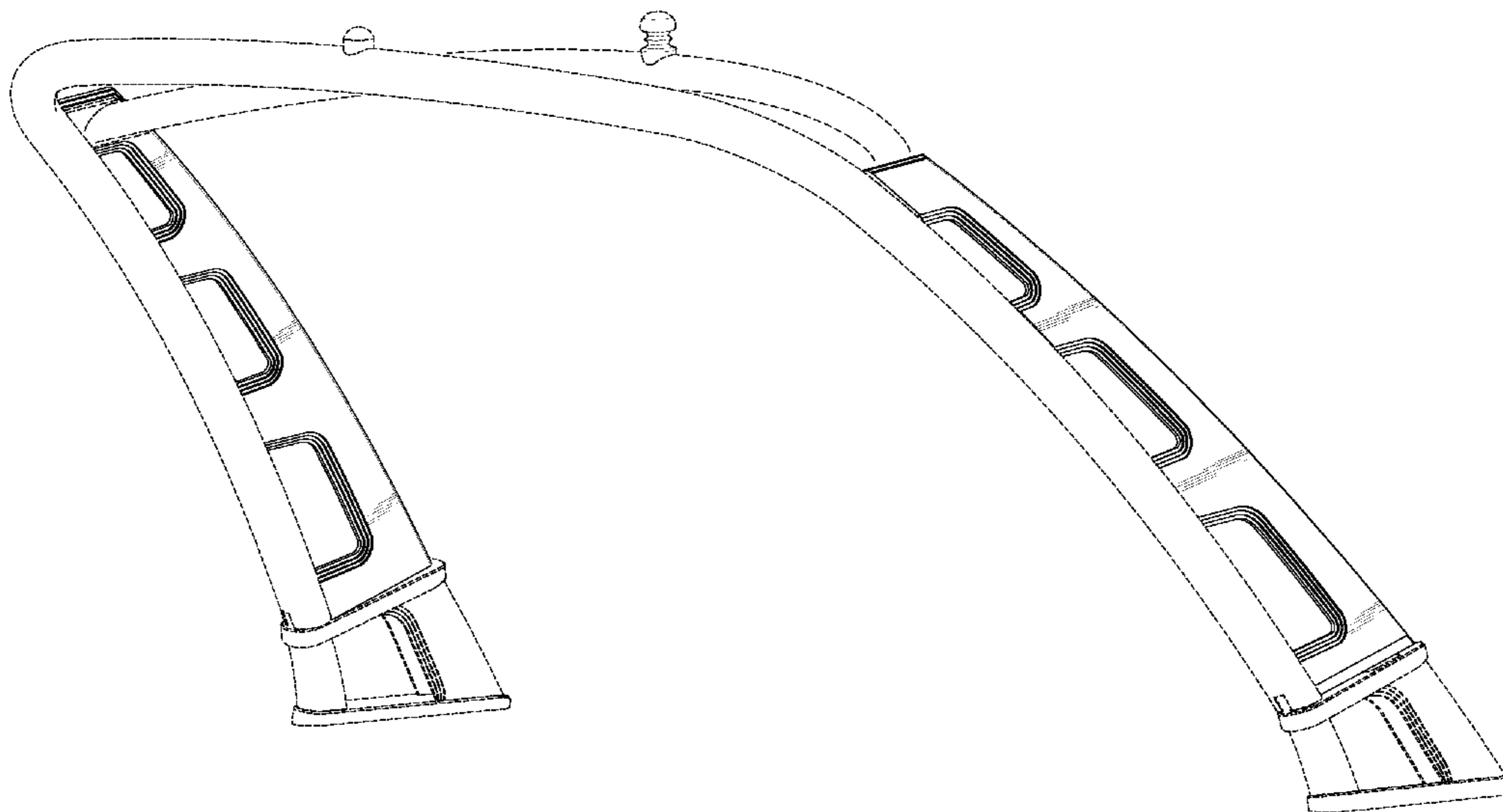
U.S. PATENT DOCUMENTS

- 2,524,188 A 10/1950 Christie
- 2,821,726 A 2/1958 Correll
- 2,997,188 A 8/1961 Hauser
- 3,034,470 A 5/1962 Vanderfeltz et al.
- D195,068 S 4/1963 Griparis
- 3,122,609 A 2/1964 Moore
- 3,336,894 A 8/1967 Eisner
- 3,352,275 A 11/1967 Wilson
- 3,503,358 A 3/1970 Moesly
- 3,724,595 A 4/1973 Green
- 3,802,374 A 4/1974 Brown
- 3,811,143 A 5/1974 Page
- 3,890,918 A 6/1975 Sell
- 3,919,963 A 11/1975 Cox, III

DESCRIPTION

FIG. 1 is a front perspective view of a wake tower showing the new design;
 FIG. 2 is a front view thereof;
 FIG. 3 is a bottom view thereof;
 FIG. 4 is a left-side view thereof;
 FIG. 5 is a right-side view thereof;
 FIG. 6 is top view thereof;
 FIG. 7 is a rear view thereof; and,
 FIG. 8 is a rear perspective view thereof.
 The broken lines represent portions of the article that form no part of the claim.

1 Claim, 8 Drawing Sheets



US D686,968 S

Page 2

U.S. PATENT DOCUMENTS

4,163,529 A 8/1979 Krenzer et al.
4,341,177 A 7/1982 Miyazaki et al.
4,453,482 A 6/1984 Barker
4,528,927 A 7/1985 Iizuka et al.
4,561,375 A 12/1985 Paxton
4,593,641 A 6/1986 Adams et al.
4,641,597 A 2/1987 Paxton
4,694,773 A 9/1987 Sparkes et al.
4,893,577 A 1/1990 Jennings
5,018,474 A 5/1991 Jellen
5,050,517 A 9/1991 Kobayashi
5,052,326 A 10/1991 Wiggen et al.
5,105,754 A 4/1992 Collins
5,215,025 A 6/1993 Talmor
5,417,178 A 5/1995 Harrelson, II
5,520,133 A 5/1996 Wiegert
5,520,139 A 5/1996 King et al.
5,645,003 A 7/1997 Grinde
5,669,325 A 9/1997 Feikema
5,673,507 A 10/1997 Stokes, Jr.
D395,866 S 7/1998 Fowler et al.
5,787,835 A 8/1998 Remnant
5,860,766 A 1/1999 Lochtefeld et al.
D409,972 S 5/1999 Todd
5,934,217 A 8/1999 Allsop
5,943,977 A 8/1999 Womack et al.
5,979,350 A 11/1999 Larson et al.
6,044,788 A 4/2000 Larson et al.
6,192,819 B1 2/2001 Larson et al.
D442,910 S 5/2001 Metcalf
6,374,762 B1 4/2002 Larson et al.
RE37,823 E 9/2002 Larson et al.
D462,932 S 9/2002 Larson
D474,144 S 5/2003 Zsido
D480,349 S 10/2003 Carlton
6,666,159 B2 12/2003 Larson et al.
D486,441 S 2/2004 Metcalf
D489,314 S 5/2004 Metcalf
6,792,888 B1 9/2004 Metcalf
6,865,999 B2 3/2005 Bierbower, Jr.
6,986,321 B2 1/2006 Metcalf
7,013,830 B1 3/2006 Willis

D534,855 S 1/2007 Metcalf
7,219,617 B2 5/2007 Metcalf
D551,154 S 9/2007 Metcalf
D555,545 S 11/2007 Peek
7,299,761 B2 11/2007 Larson et al.
7,302,907 B2 12/2007 Carlton
7,392,758 B2 7/2008 Metcalf
D605,575 S 12/2009 Oswell et al.
D611,397 S * 3/2010 Oswell et al. D12/317
7,699,016 B2 4/2010 Snook et al.
D658,566 S * 5/2012 Gros D12/406
8,171,874 B2 * 5/2012 Gasper 114/364
8,196,542 B2 * 6/2012 Oswell et al. 114/364
D664,495 S * 7/2012 Oswell et al. D12/317
D666,135 S * 8/2012 Gasper D12/317
D669,835 S 10/2012 Gros
2004/0144295 A1 7/2004 Bierbower, Jr.
2004/0187764 A1 * 9/2004 Eck et al. 114/364
2006/0180072 A1 8/2006 Metcalf
2009/0314194 A1 12/2009 Metcalf
2010/0162937 A1 7/2010 Larson et al.
2010/0319603 A1 12/2010 Oswell et al.
2011/0139057 A1 6/2011 Metcalf

OTHER PUBLICATIONS

Various pages from *Wake Board and Water Ski Business*, Fall 1998 Trade Show Issue.
The University of Florida, *Intercollegiate Activity*, pub. Jul. 1981, p. 69.
Various pages from *Water Ski*, from Dec. 1998 and earlier.
Various pages from *Sport Fishing*, from Mar. 1996 and earlier.
Various pages from *Marlin*, from Jul. 1996.
Photographs, circa 1950, Cypress Gardens, FL archives.
Photograph, circa 1948, Earl "Poppy" Hollowell, Panorama City.
Excerpt from *Water Skier Yearbook*, American Water Ski Association, Aug. 1963.
Excerpt from Pope, *Water Skiing*, at least as early as Jan. 2009.
Excerpt from Taco Supply Marine Catalog, 1987-1988.
Illusion XS Tower, at least as early as Jan. 2009.

* cited by examiner

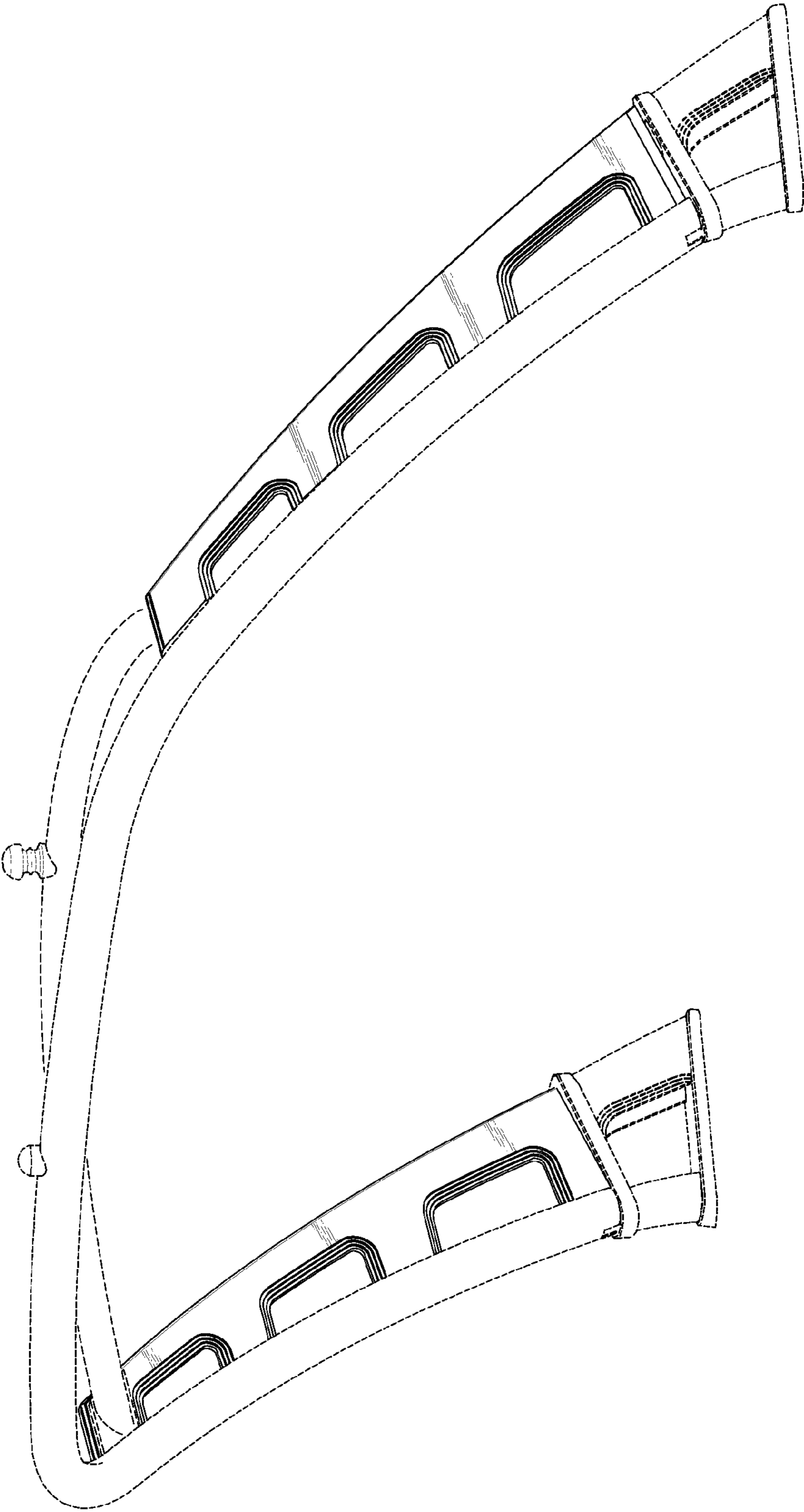


FIG. 1

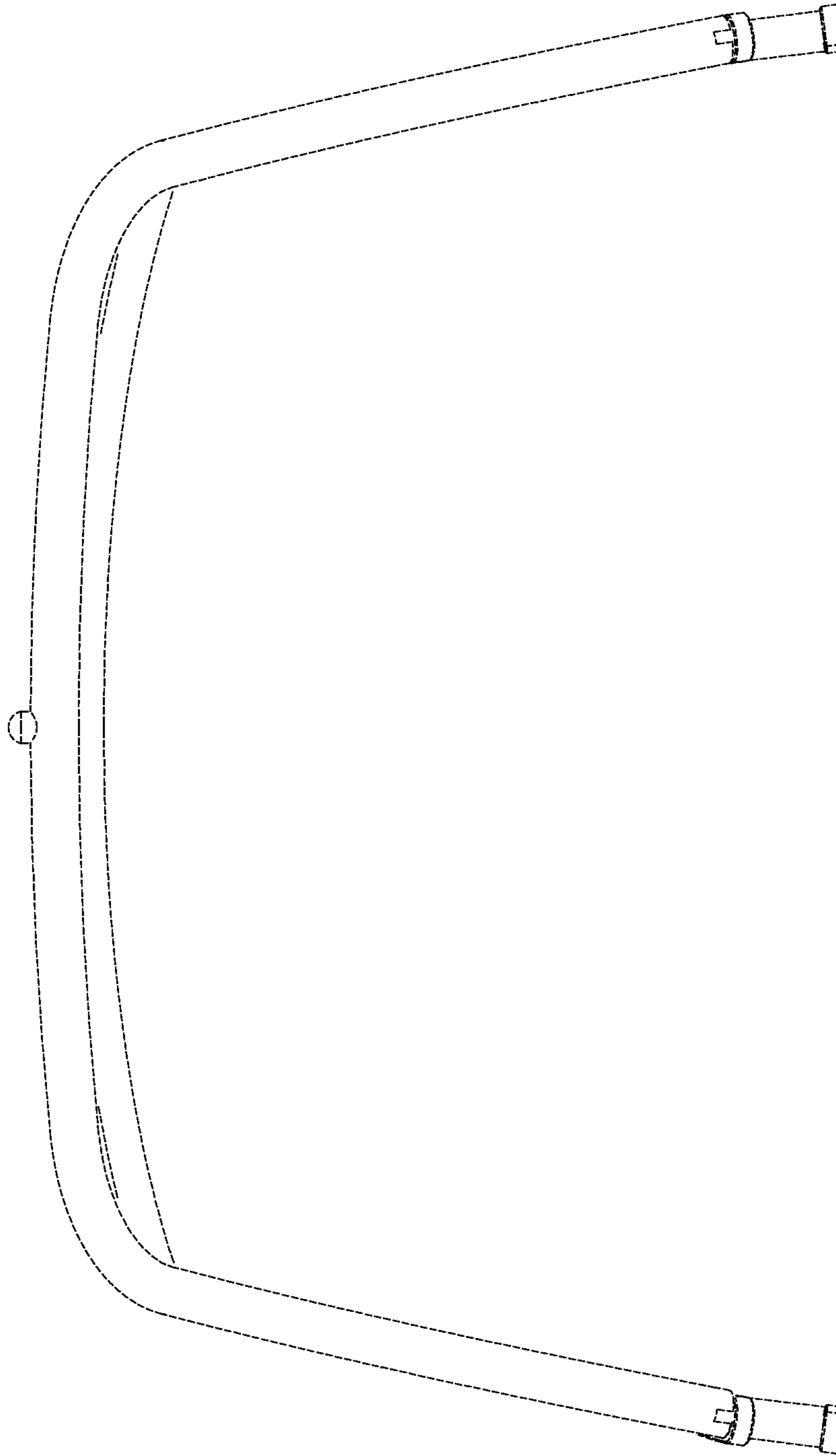


FIG. 2

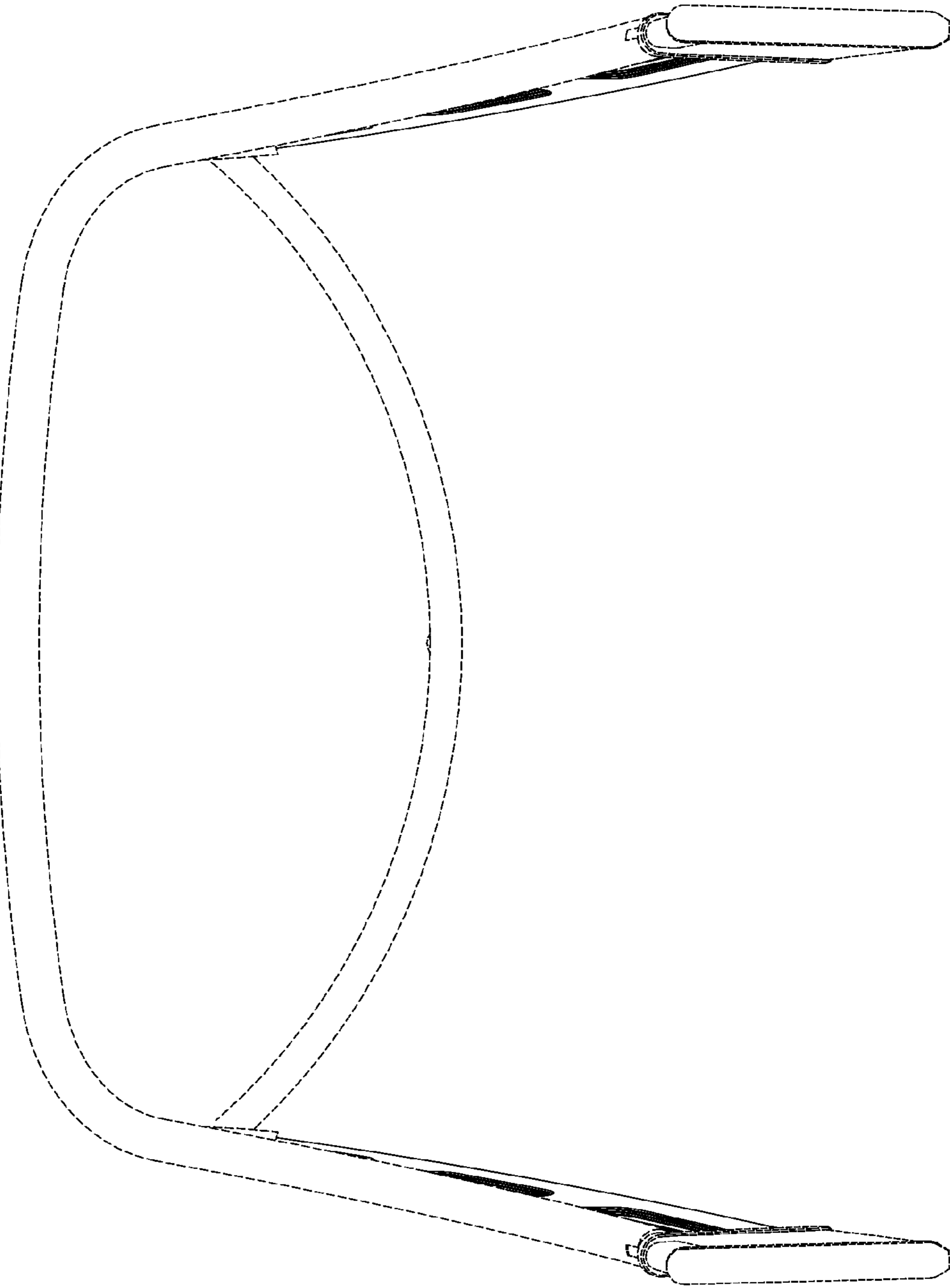


FIG. 3

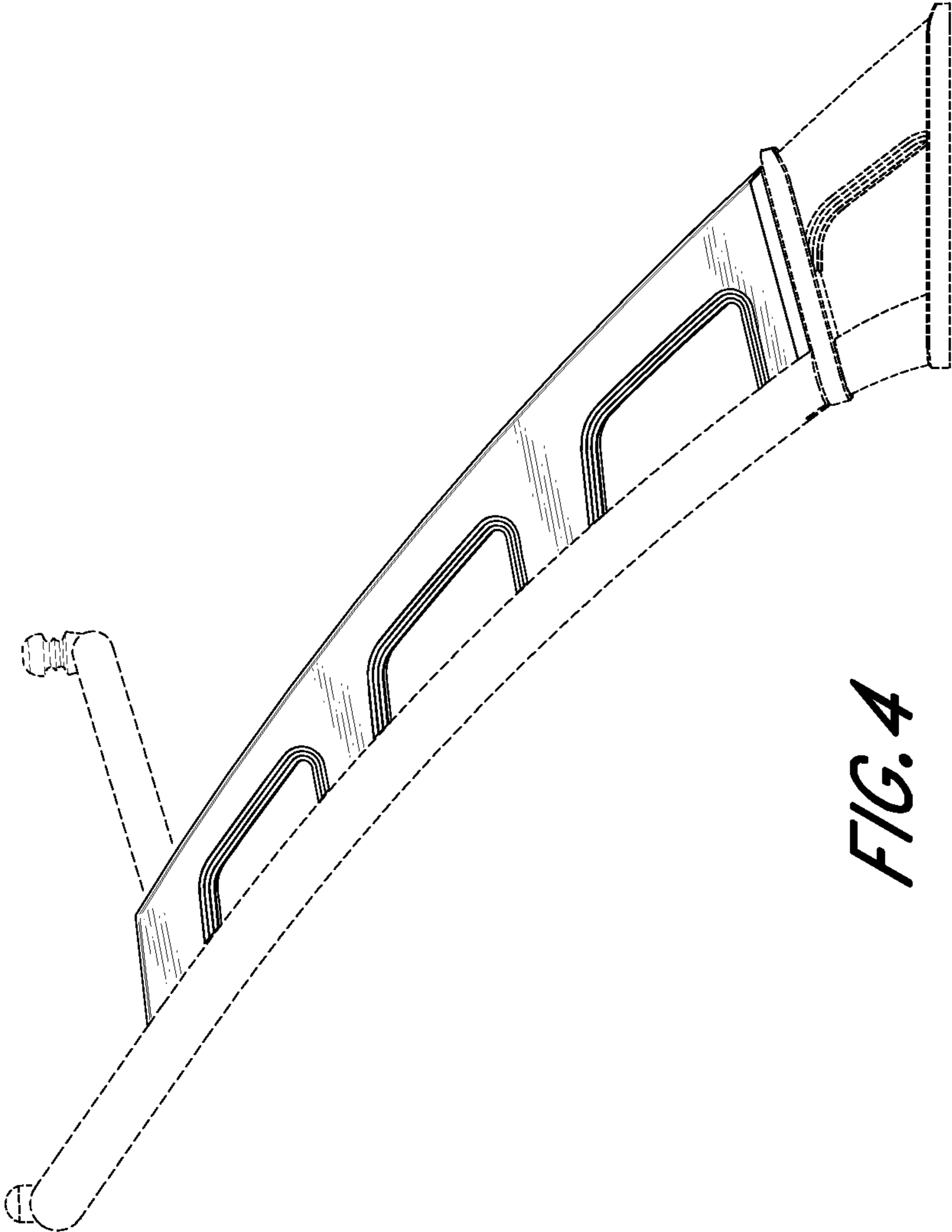
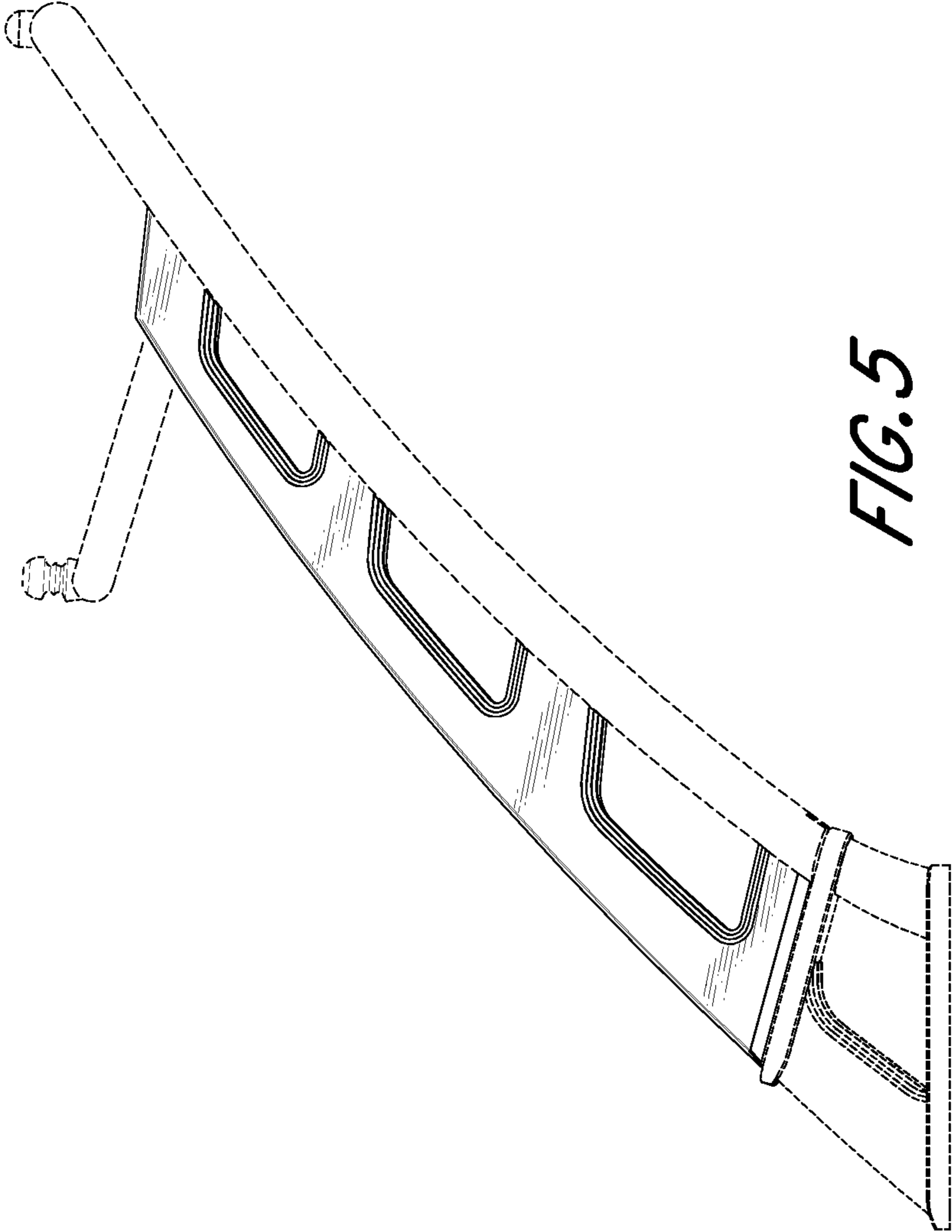


FIG. 4



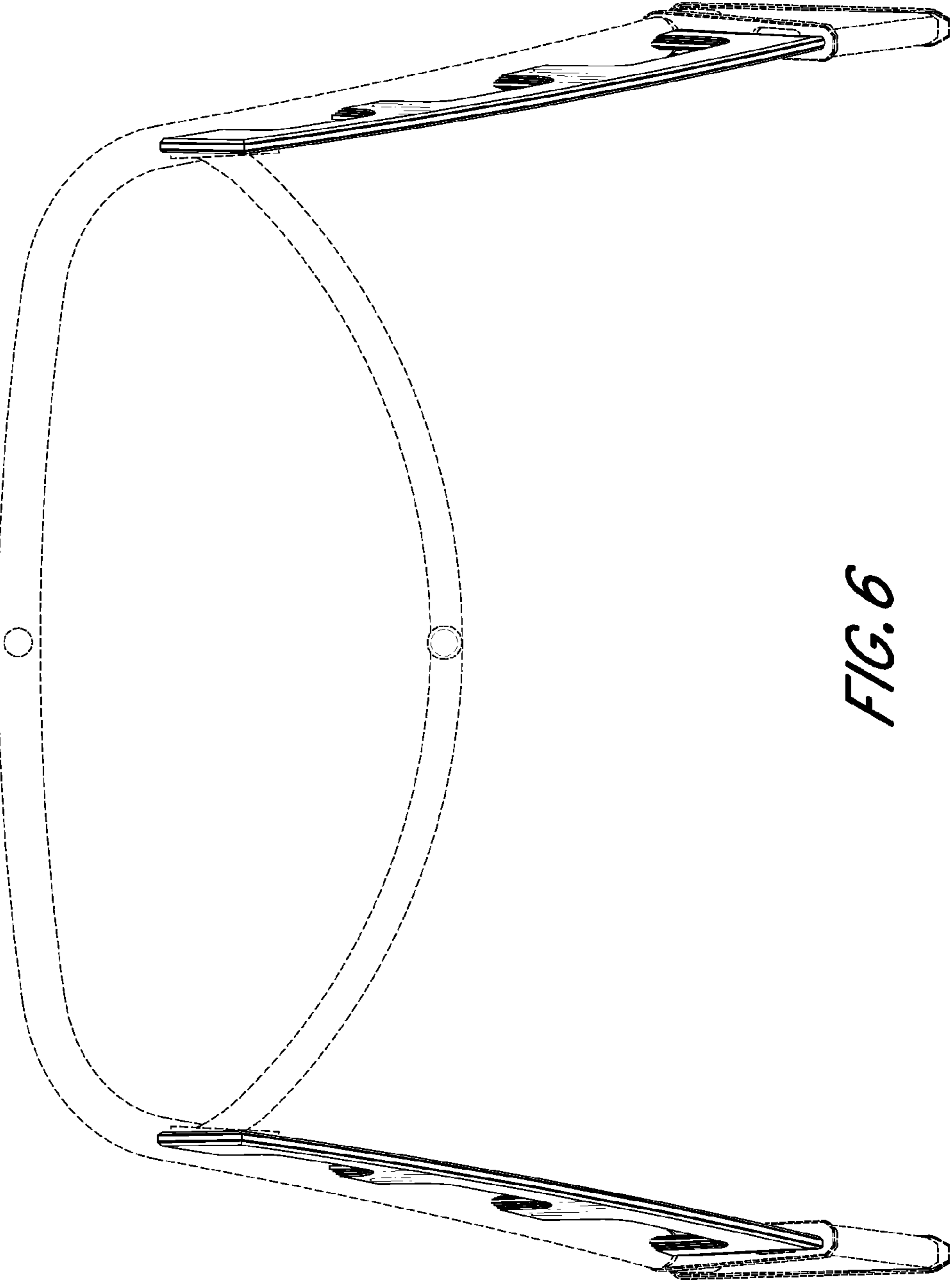


FIG. 6

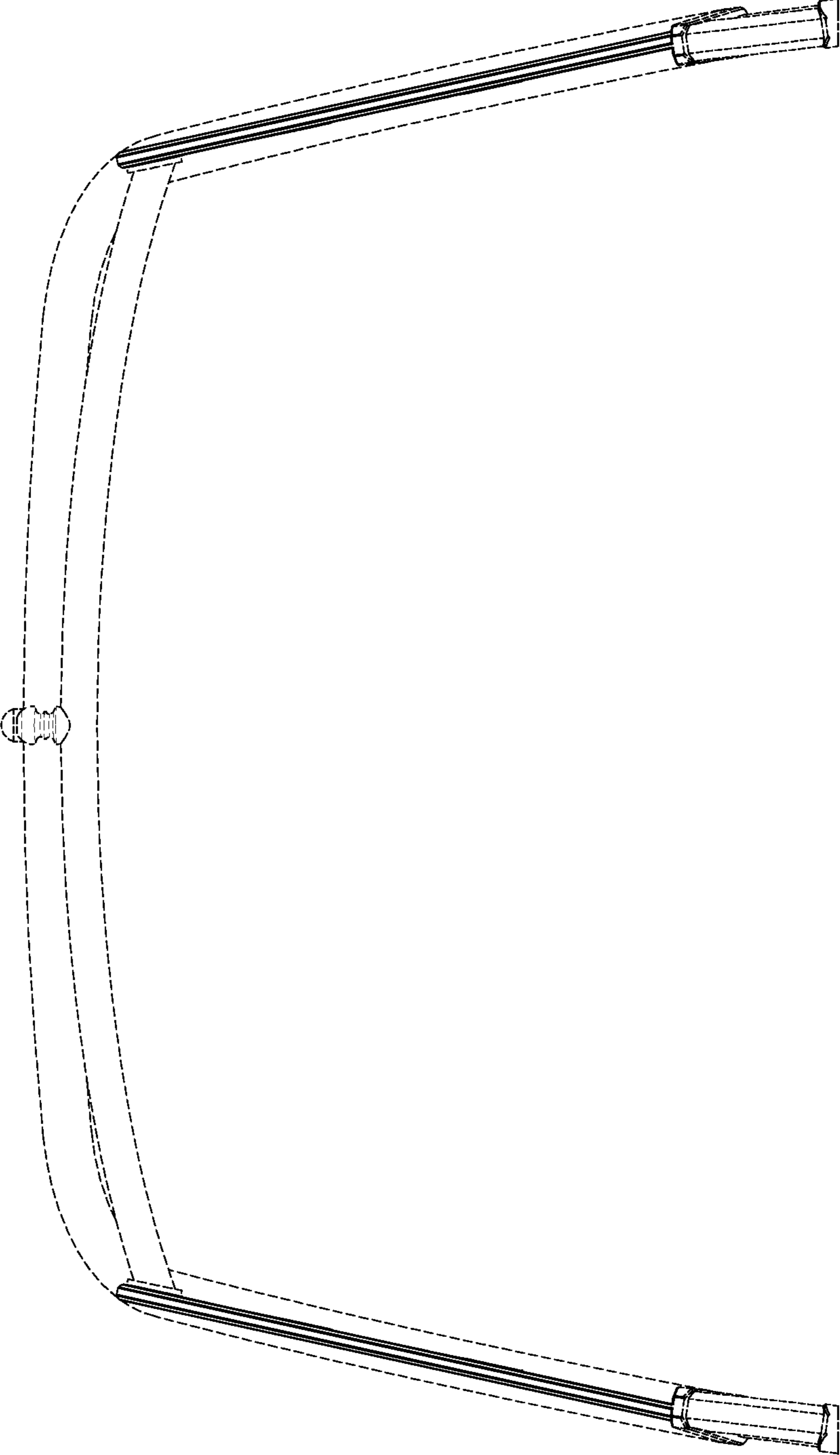


FIG. 7

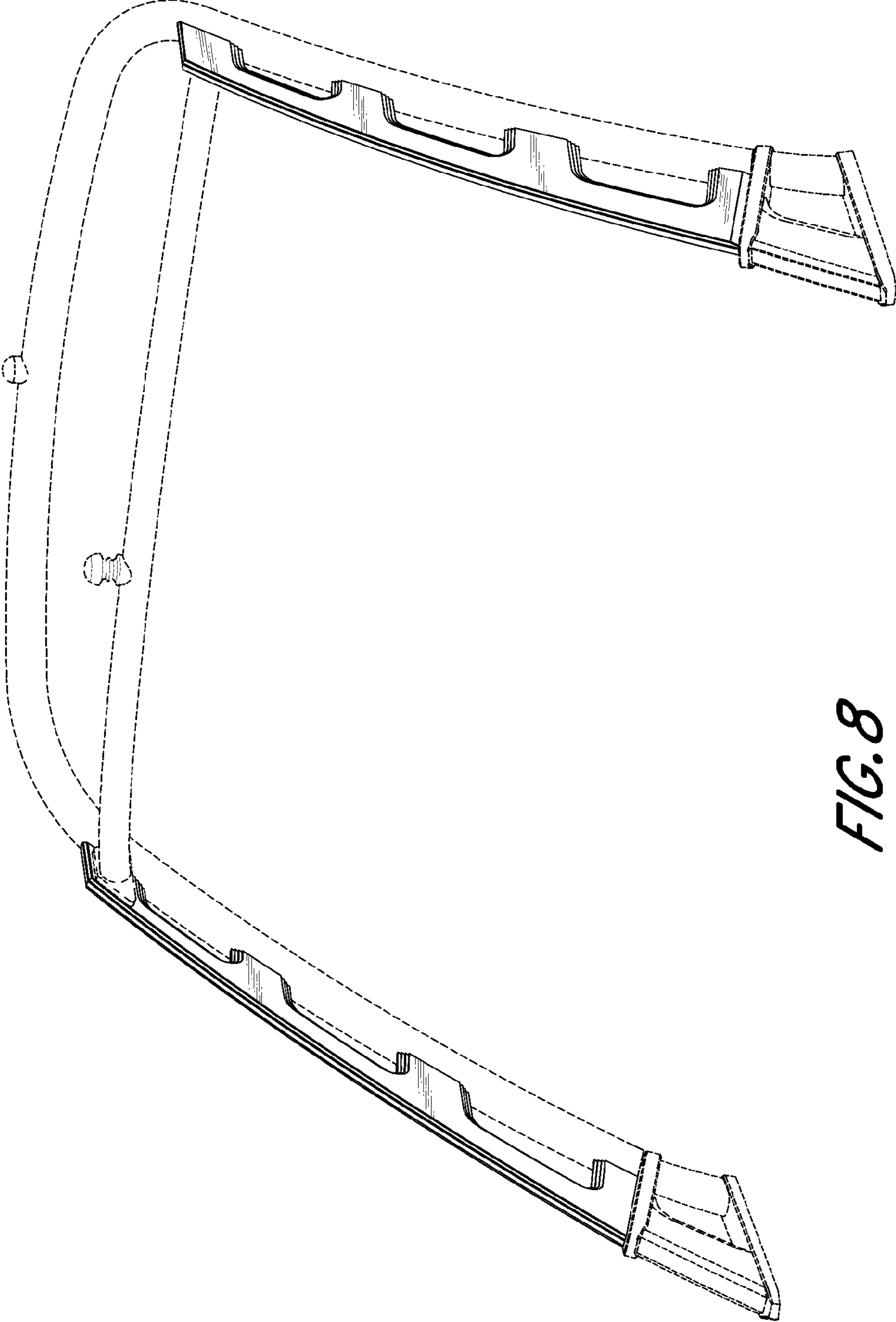


FIG. 8