



US00D686967S

(12) **United States Design Patent**  
**Yamamoto**

(10) **Patent No.:** **US D686,967 S**

(45) **Date of Patent:** **\*\* Jul. 30, 2013**

(54) **WATER SCOOTER**

(75) Inventor: **Hisashi Yamamoto**, Kyoto-fu (JP)

(73) Assignee: **Yamaha Hatsudoki Kabushiki Kaisha**  
(JP)

(\*\*) Term: **14 Years**

(21) Appl. No.: **29/386,334**

(22) Filed: **Feb. 28, 2011**

(51) **LOC (9) Cl.** ..... **12-06**

(52) **U.S. Cl.**  
USPC ..... **D12/307**

(58) **Field of Classification Search**  
USPC D12/6-11, 300-318; 114/55.5, 55.51-55.58,  
114/345; D21/770  
See application file for complete search history.

(56) **References Cited**

**U.S. PATENT DOCUMENTS**

D453,955 S *	2/2002	Aselton et al. ....	D12/307
D464,015 S *	10/2002	Bucaccio et al. ....	D12/307
D464,016 S *	10/2002	Orr et al. ....	D12/307
D464,926 S *	10/2002	Mizuta et al. ....	D12/307
D479,702 S *	9/2003	Cassell et al. ....	D12/307
D485,527 S *	1/2004	Cassell et al. ....	D12/307
D510,900 S *	10/2005	Bucaccio et al. ....	D12/307
D513,225 S *	12/2005	Omae et al. ....	D12/307
D550,603 S *	9/2007	Cote et al. ....	D12/307
D558,122 S *	12/2007	Tanaka et al. ....	D12/307
D569,330 S *	5/2008	Hattori et al. ....	D12/307

D569,781 S *	5/2008	Hattori et al. ....	D12/307
D603,319 S *	11/2009	Cote et al. ....	D12/307
D608,719 S *	1/2010	Cote et al. ....	D12/307
D630,152 S *	1/2011	Yamamoto ....	D12/307
D632,632 S *	2/2011	Cote ....	D12/307
D637,544 S *	5/2011	Cote et al. ....	D12/307
D650,317 S *	12/2011	Yamamoto ....	D12/307

**OTHER PUBLICATIONS**

“T iS 255, 3 Seats plus iControl will feel like 10 seconds”, *Sea-Doo Brochure*, (undated).

“Sea-Doo GTX Limited iS 255” article, (undated).

\* cited by examiner

*Primary Examiner* — Cynthia M Chin

(74) *Attorney, Agent, or Firm* — Ostrolenk Faber LLP

(57) **CLAIM**

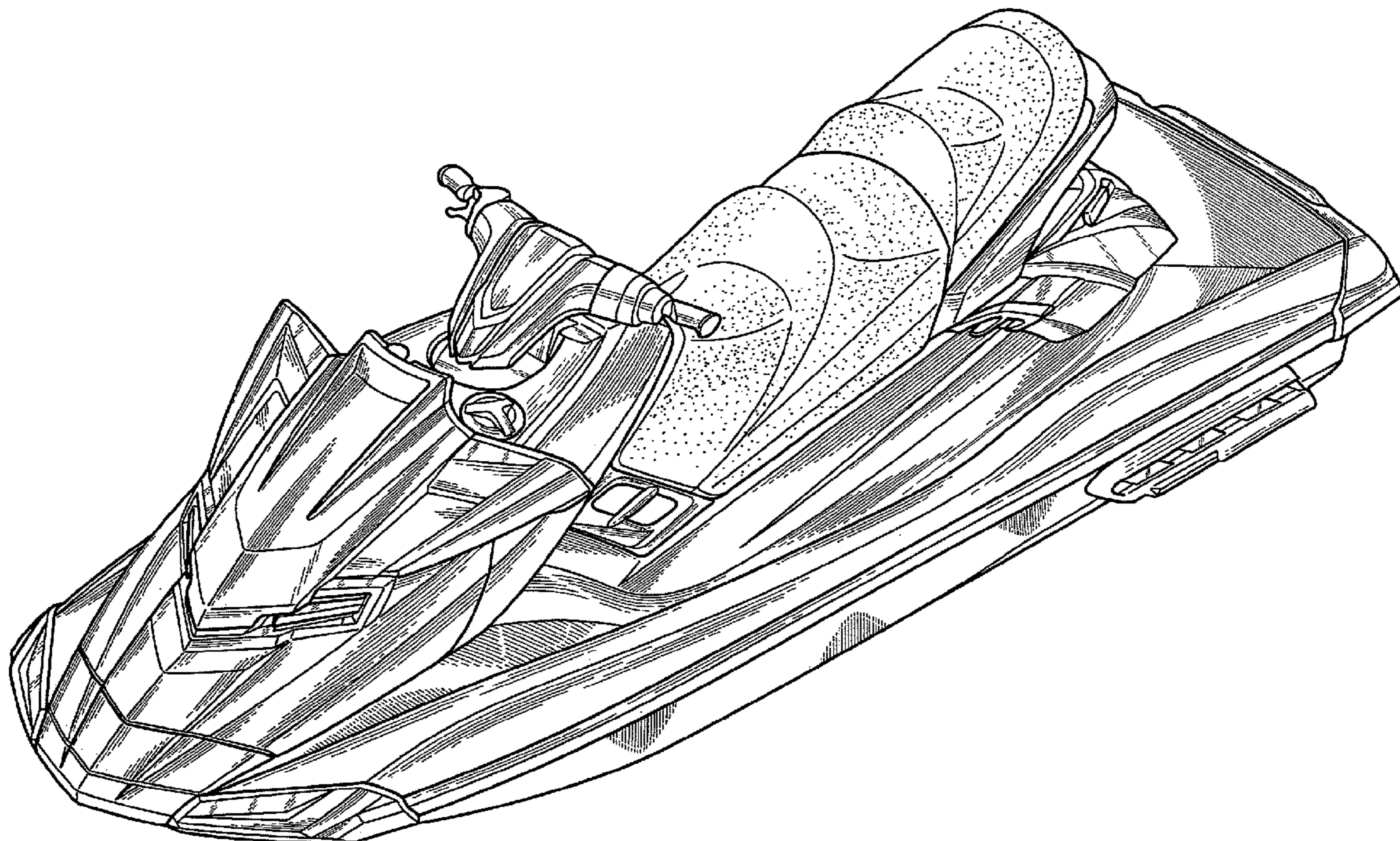
The ornamental design for a water scooter, as shown and described.

**DESCRIPTION**

FIG. 1 is a right side, front, perspective view of a water scooter showing my new design; FIG. 2 is a right side view thereof; FIG. 3 is a left side view thereof; FIG. 4 is a front view thereof; FIG. 5 is a rear view thereof; FIG. 6 is a top view thereof; and, FIG. 7 is a bottom view thereof.

The broken lines in the drawings illustrate environmental material that forms no part of the claimed design.

**1 Claim, 7 Drawing Sheets**



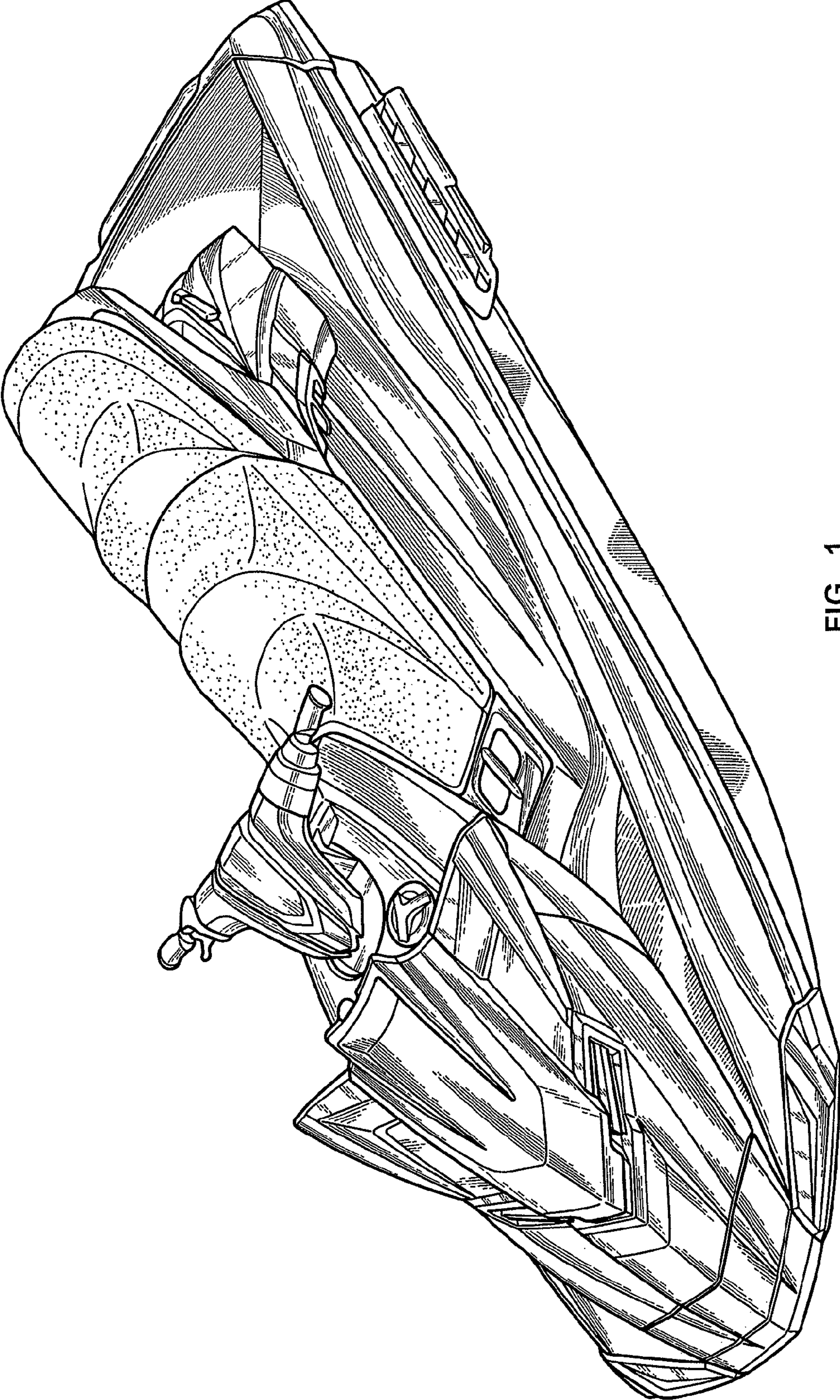


FIG. 1

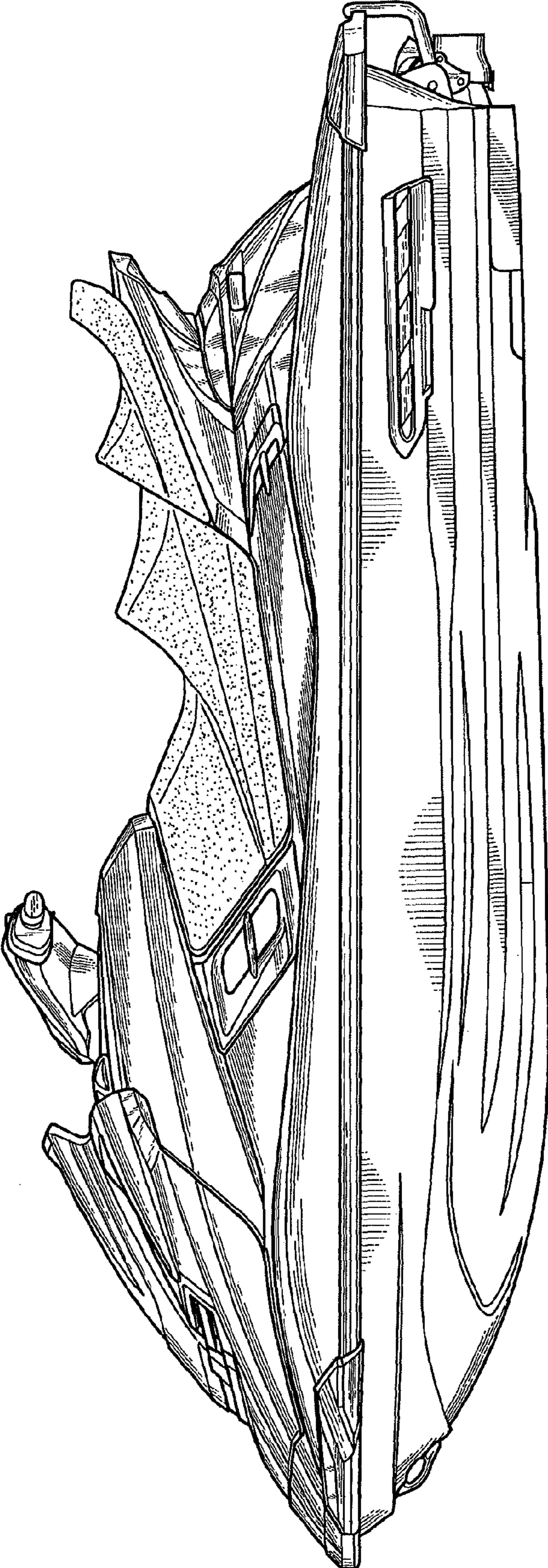


FIG. 2

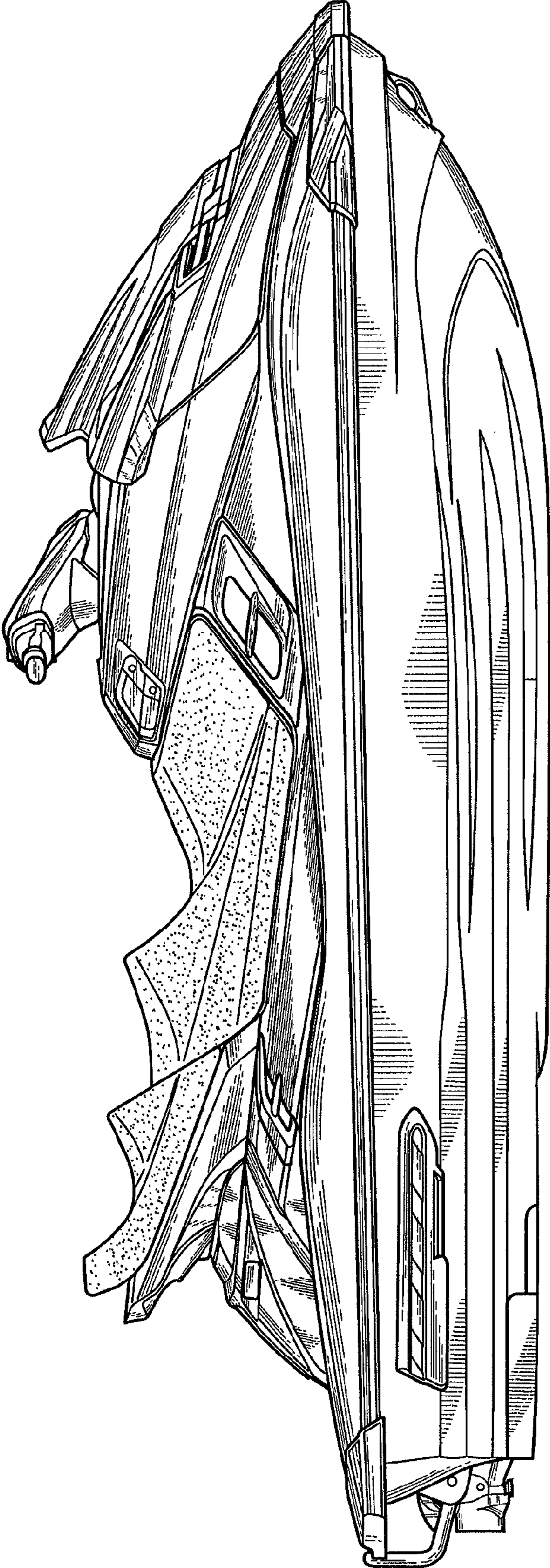


FIG. 3

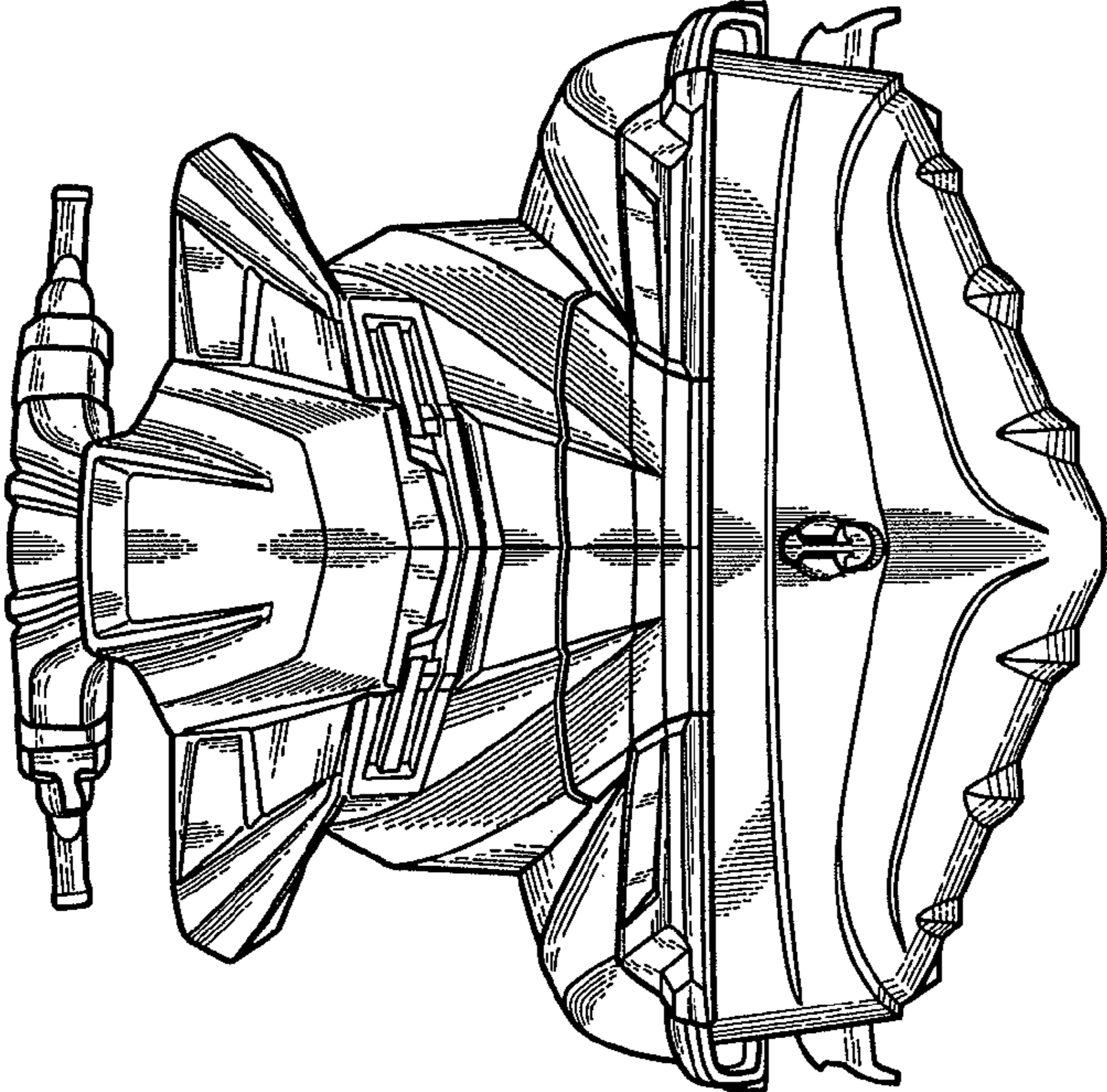


FIG. 4

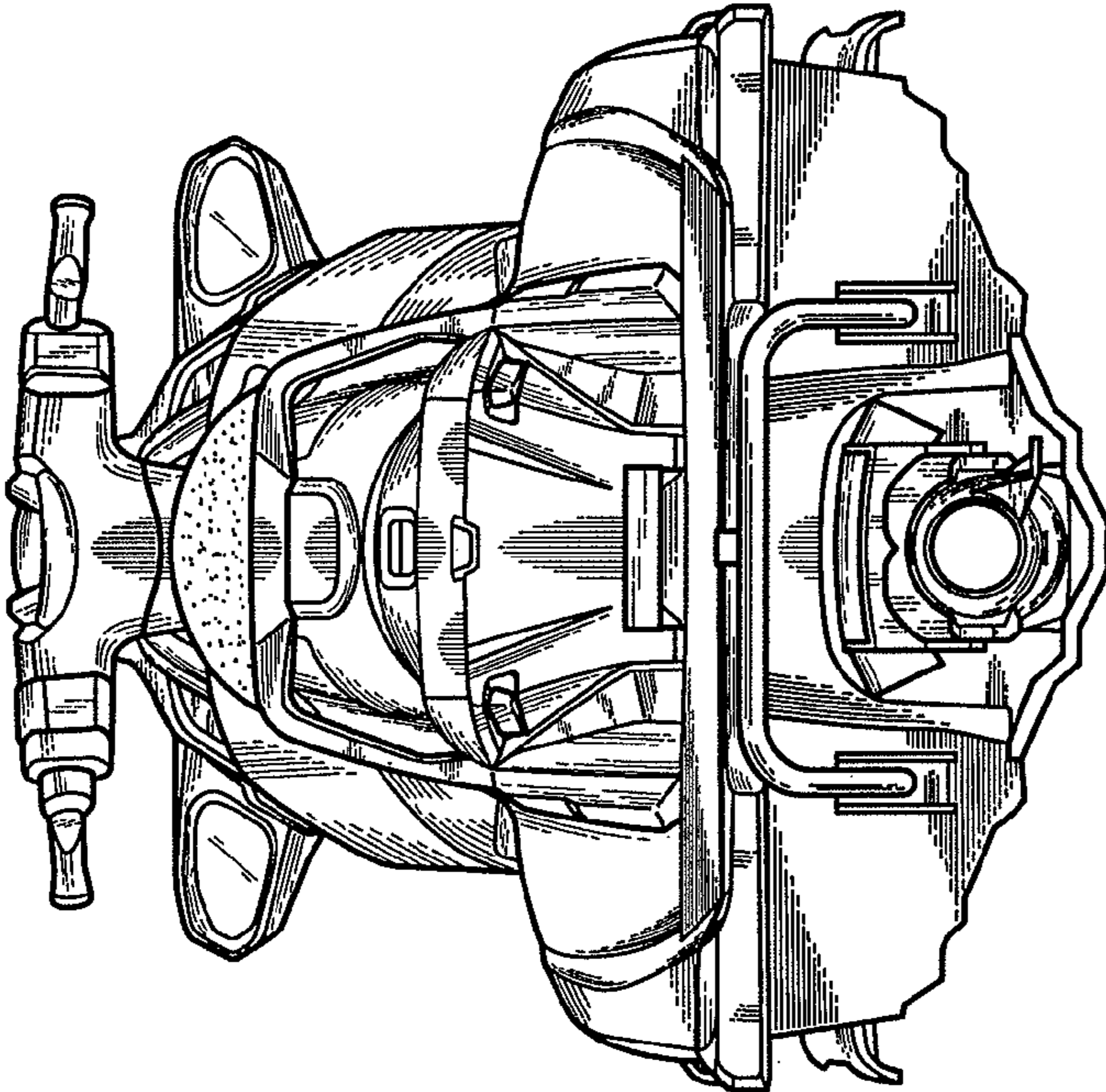


FIG. 5

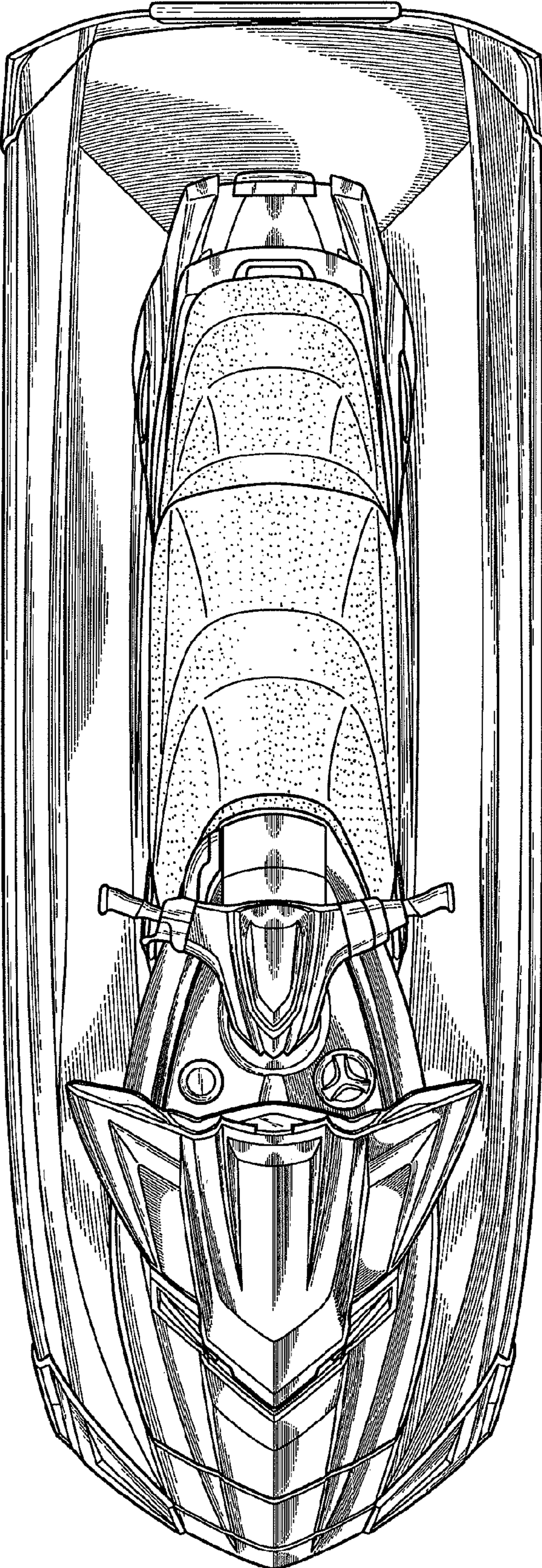


FIG. 6

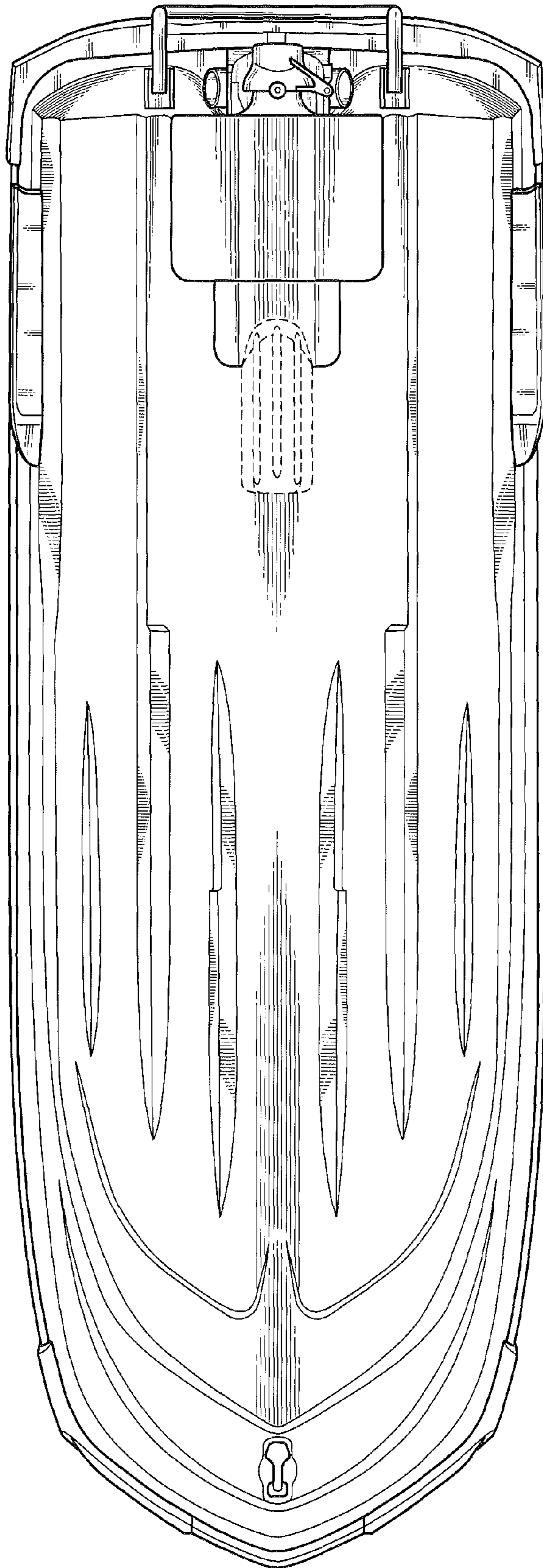


FIG. 7