



US00D686965S

(12) **United States Design Patent**  
**Pollmann**

(10) **Patent No.:** **US D686,965 S**

(45) **Date of Patent:** **\*\* Jul. 30, 2013**

(54) **WHEEL OR WHEEL COVER**

(71) Applicant: **Bayerische Motoren Werke Aktiengesellschaft, Munich (DE)**

(72) Inventor: **Gert Pollmann, Boehmfeld (DE)**

(73) Assignee: **Bayerische Motoren Werke Aktiengesellschaft, Munich (DE)**

(\*\*) Term: **14 Years**

(21) Appl. No.: **29/440,085**

(22) Filed: **Dec. 19, 2012**

(30) **Foreign Application Priority Data**

Jun. 22, 2012 (DE) ..... 40 2012 100 471

(51) **LOC (9) Cl.** ..... **12-16**

(52) **U.S. Cl.**  
USPC ..... **D12/211**

(58) **Field of Classification Search**  
USPC ..... D12/204-213; 301/37.101, 64.101,  
301/65, 64.201  
See application file for complete search history.

(56) **References Cited**

**U.S. PATENT DOCUMENTS**

D325,189 S	4/1992	Kapitza	
D392,239 S *	3/1998	Cullen	D12/211
D477,556 S *	7/2003	Koch	D12/211
D492,235 S	6/2004	Nordmann	
D508,007 S *	8/2005	Koch	D12/211
D513,728 S *	1/2006	Yazawa et al.	D12/211
D535,935 S *	1/2007	Scheu	D12/211
D537,026 S	2/2007	Nordmann	
D585,354 S	1/2009	Powell et al.	
D609,624 S *	2/2010	Matsubara	D12/211

D617,249 S *	6/2010	Juergens et al.	D12/211
D617,717 S *	6/2010	Nordmann	D12/211
D619,071 S *	7/2010	Christensen et al.	D12/211
D620,871 S *	8/2010	Juergens et al.	D12/211
D628,948 S *	12/2010	Chung	D12/211
D635,077 S *	3/2011	Nordmann	D12/209
D639,225 S *	6/2011	Forschner	D12/211
D669,833 S	10/2012	Pollmann	
D671,479 S	11/2012	Gonser	
D673,094 S *	12/2012	Behmer et al.	D12/209
D673,494 S *	1/2013	Lemke	D12/209

**FOREIGN PATENT DOCUMENTS**

DE	M8908658.9	8/1990
DE	40104441.6	9/2001
EM	000440813-0005	1/2006
EM	000934468-0003	10/2009
EM	001598277-0003	1/2010
EM	002016113-0001	3/2012
EM	002016113-0016	3/2012
EM	001772922-0001	8/2012

\* cited by examiner

*Primary Examiner* — Stacia Cadmus

(74) *Attorney, Agent, or Firm* — Crowell & Moring LLP

(57) **CLAIM**

The ornamental design for a wheel or wheel cover, as shown and described.

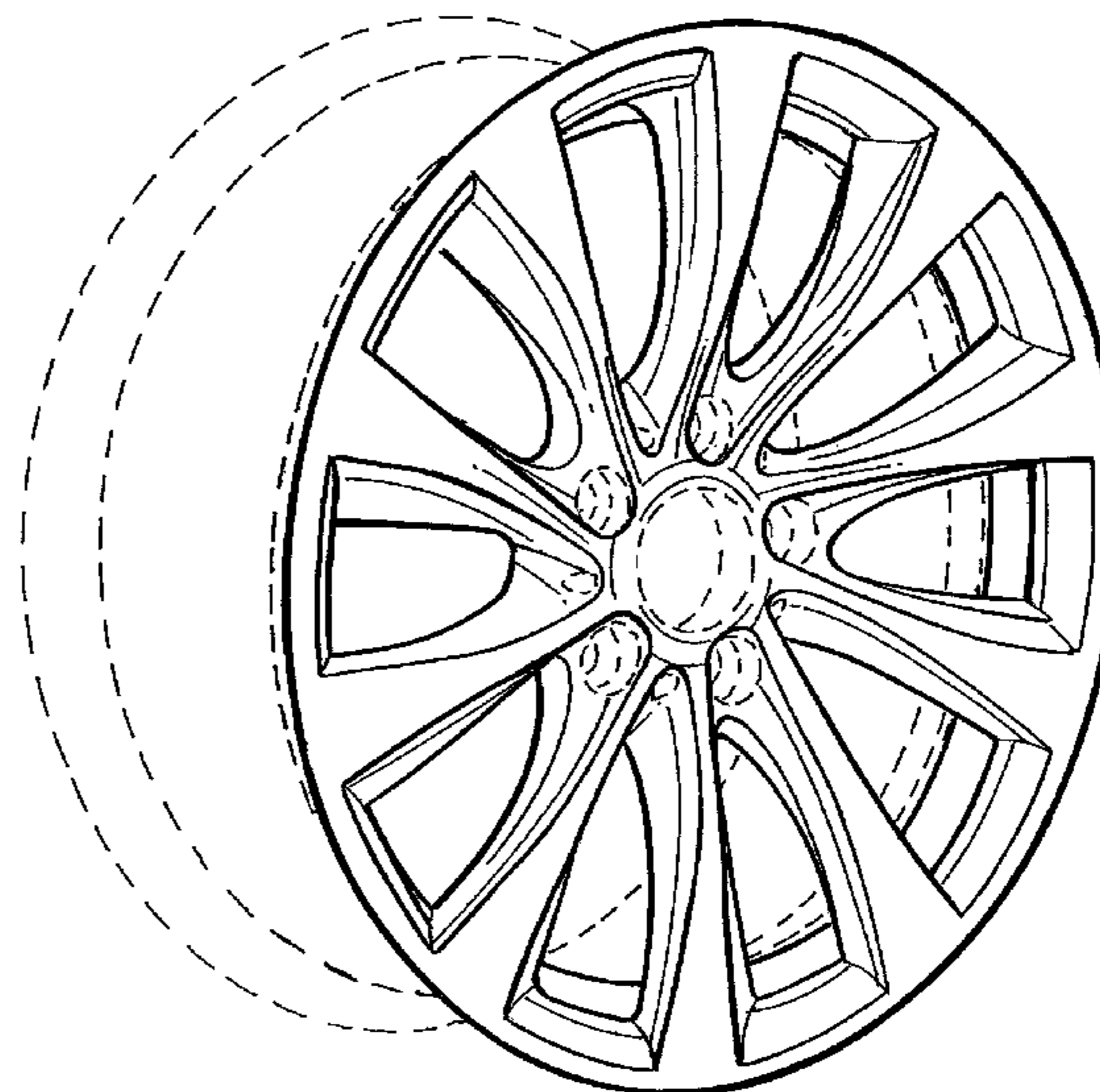
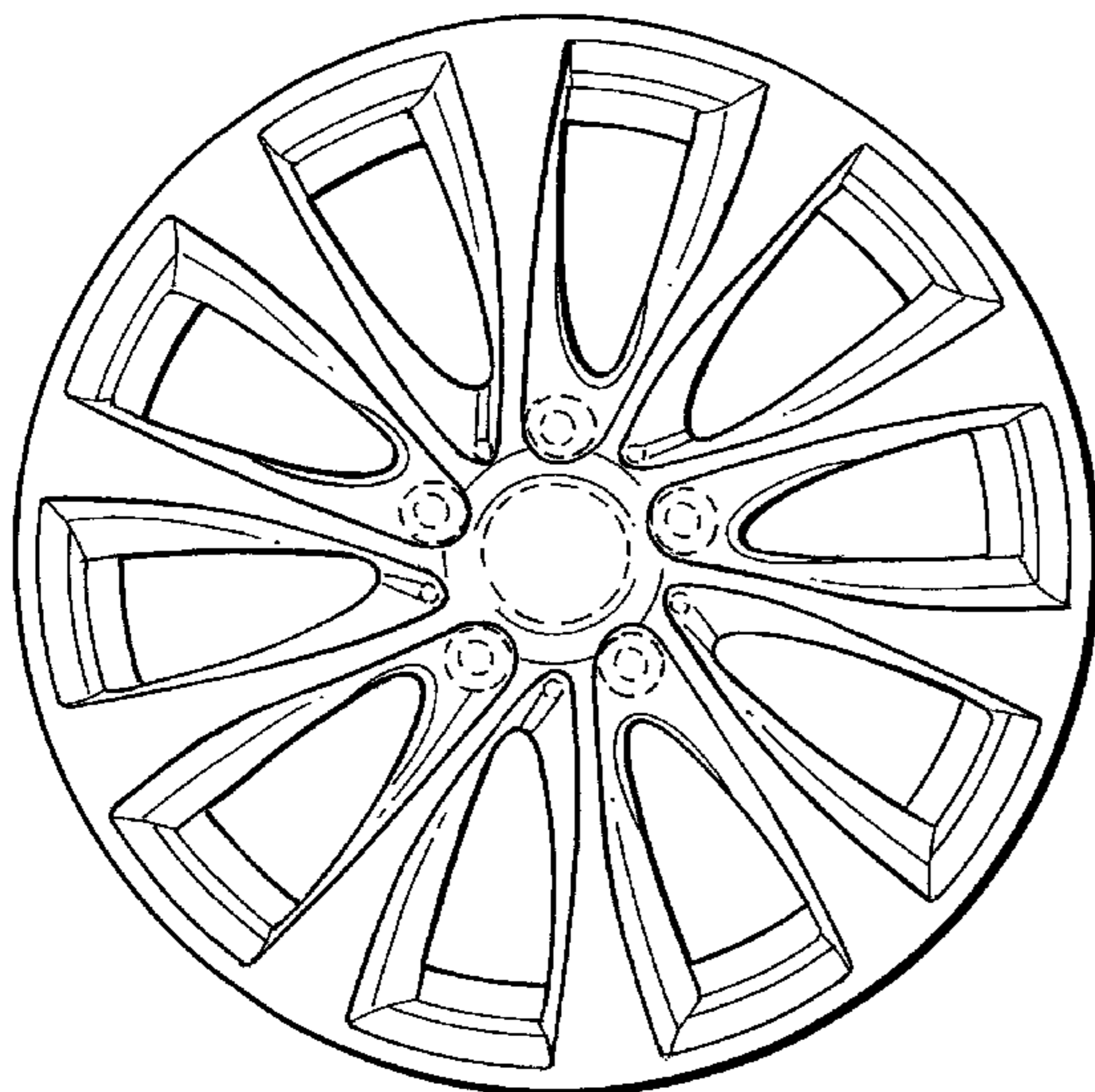
**DESCRIPTION**

FIG. 1 is a front view of a wheel or wheel cover according to the design; and,

FIG. 2 is a perspective view thereof.

The broken line showing of the rear of the wheel and the bolt holes and center opening in the central hub area is included for the purpose of illustrating environment and forms no part of the claimed design.

**1 Claim, 1 Drawing Sheet**



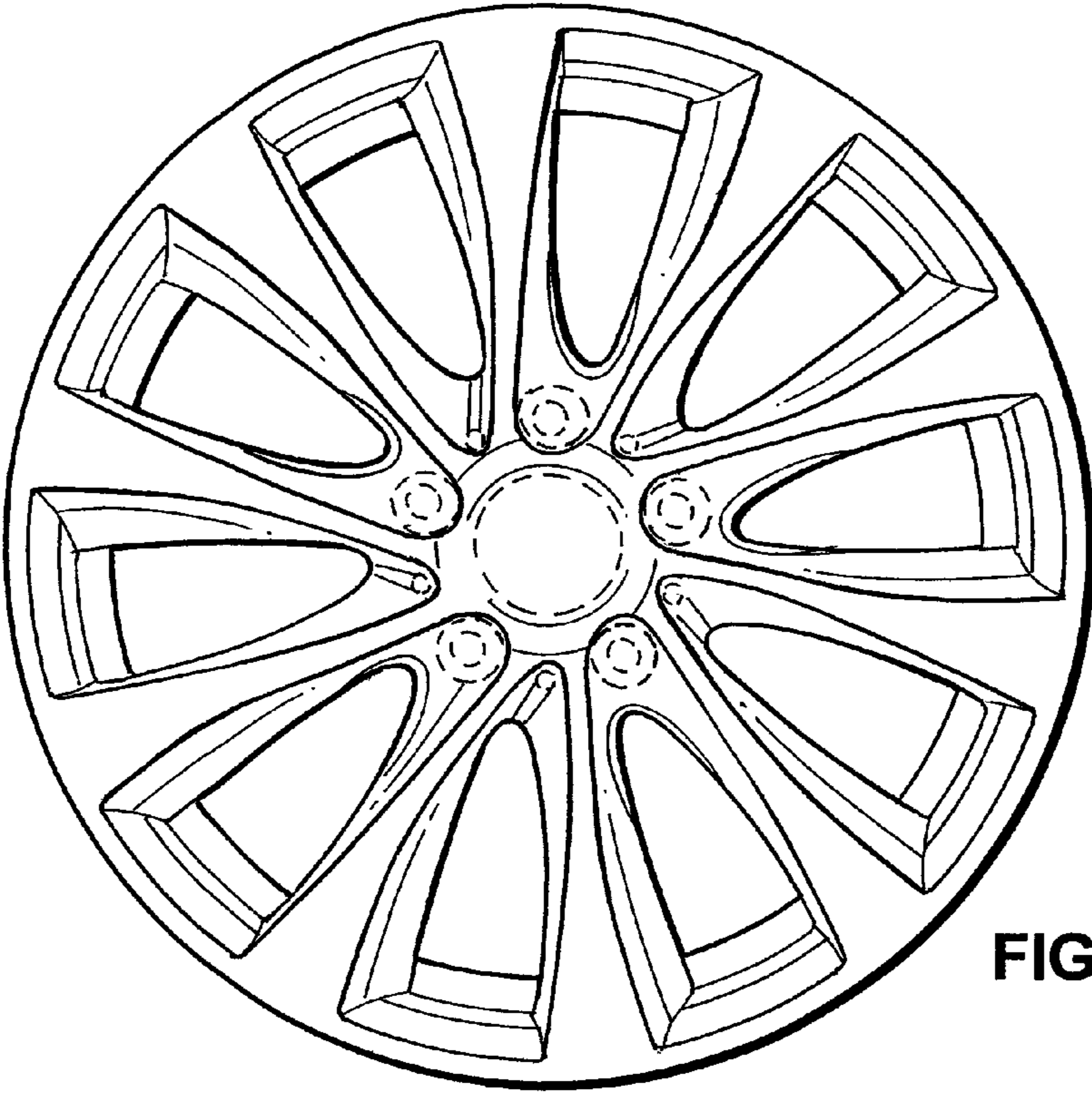


FIG. 1

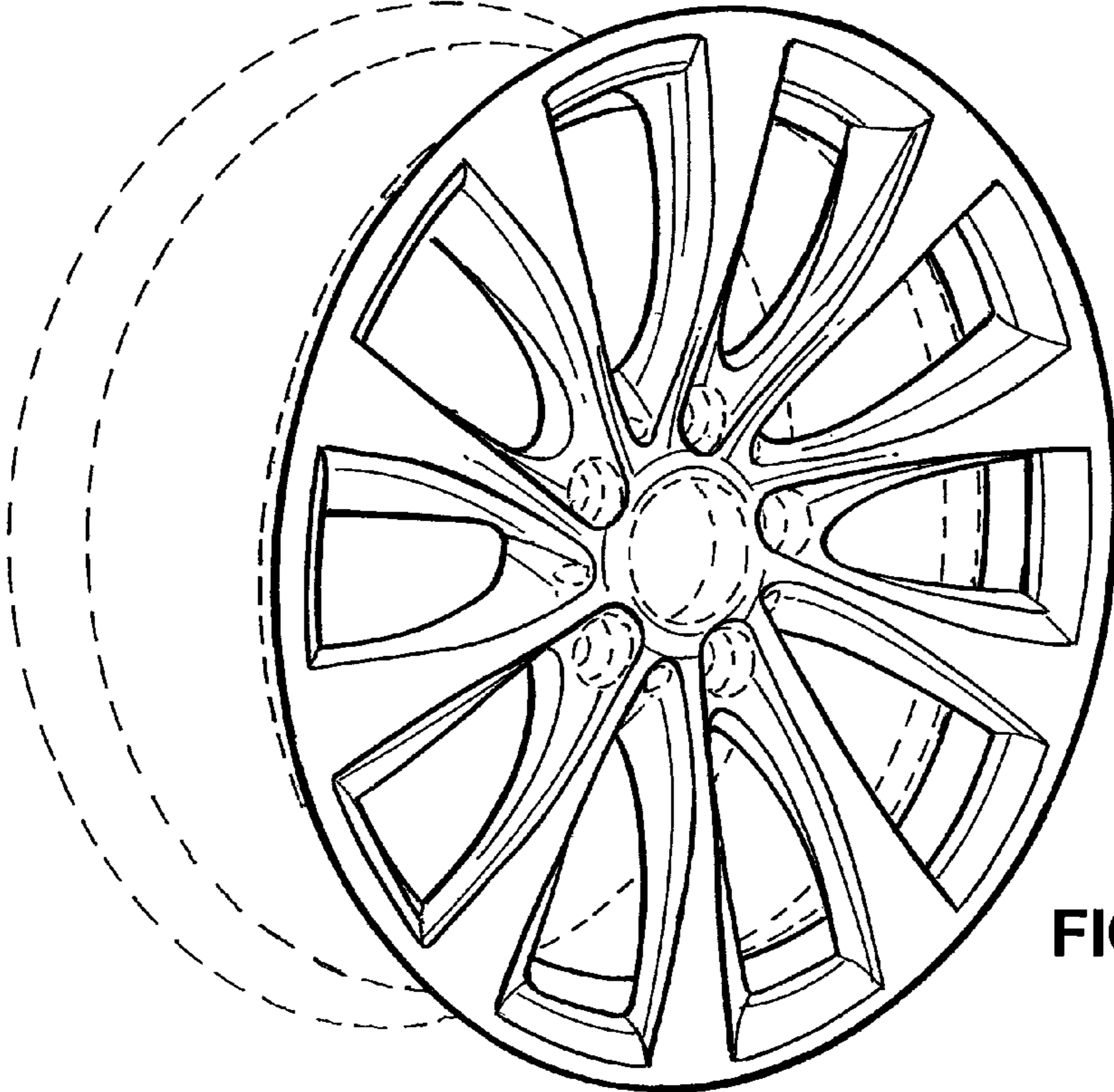


FIG. 2