



US00D686959S

(12) **United States Design Patent**
Hale

(10) **Patent No.:** **US D686,959 S**

(45) **Date of Patent:** **** *Jul. 30, 2013**

- (54) **VEHICLE-WHEEL FRONT FACE**
- (71) Applicant: **Mobile Hi-Tech Wheels**, Rancho Dominguez, CA (US)
- (72) Inventor: **Arthur D. Hale**, Long Beach, CA (US)
- (73) Assignee: **Mobile Hi-Tech Wheels**, Rancho Dominguez, CA (US)
- (*) Notice: This patent is subject to a terminal disclaimer.
- (**) Term: **14 Years**
- (21) Appl. No.: **29/440,980**
- (22) Filed: **Dec. 28, 2012**
- (51) **LOC (9) Cl.** **12-16**
- (52) **U.S. Cl.**
USPC **D12/209**
- (58) **Field of Classification Search**
USPC D12/204-213; 301/37.101, 64.101, 301/65, 64.201
See application file for complete search history.

D569,778 S *	5/2008	Kim	D12/211
D578,458 S *	10/2008	Cortes	D12/211
D590,315 S *	4/2009	Chung	D12/209
D624,863 S *	10/2010	Zhao	D12/211
D625,238 S *	10/2010	Zhao	D12/209
D631,419 S *	1/2011	Kim	D12/209
D670,223 S *	11/2012	Chung	D12/209

* cited by examiner

Primary Examiner — Stacia Cadmus

(74) *Attorney, Agent, or Firm* — Christie, Parker & Hale, LLP

(57) **CLAIM**

The ornamental design for vehicle-wheel front face, as shown and described.

DESCRIPTION

FIG. 1 is a perspective view of a vehicle-wheel front face according to my new design;
 FIG. 2 is front elevational view thereof; and,
 FIG. 3 is a side elevational view thereof.
 The broken lines showing the side of the wheel, the round elements on the lip of the rim, and the bolt holes and center cap in the central hub area are included for the purpose of illustrating environment and form no part of the claimed design.

1 Claim, 3 Drawing Sheets

- (56) **References Cited**
U.S. PATENT DOCUMENTS
D465,184 S * 11/2002 Chung D12/211
D508,885 S * 8/2005 Marji D12/209

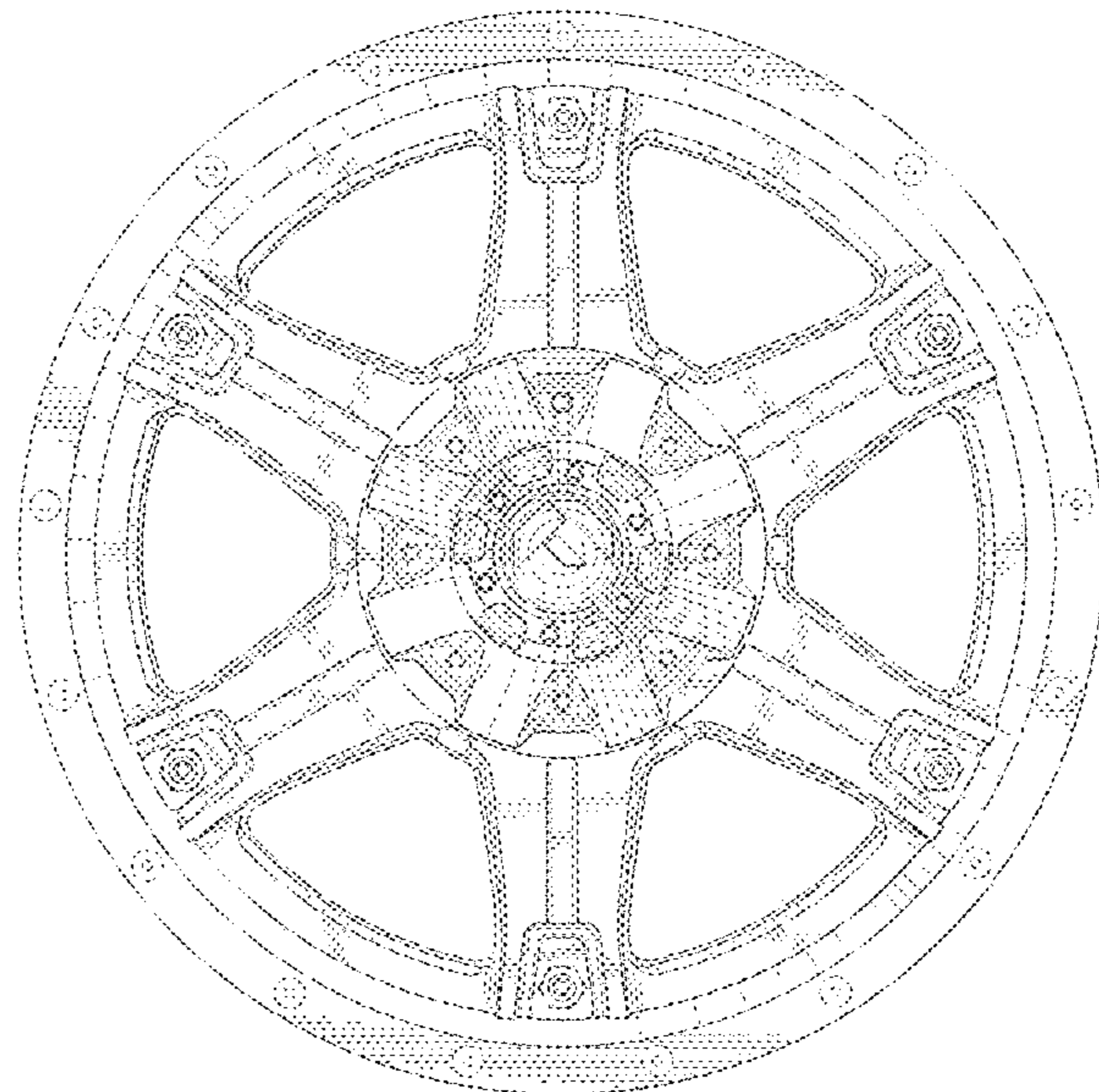
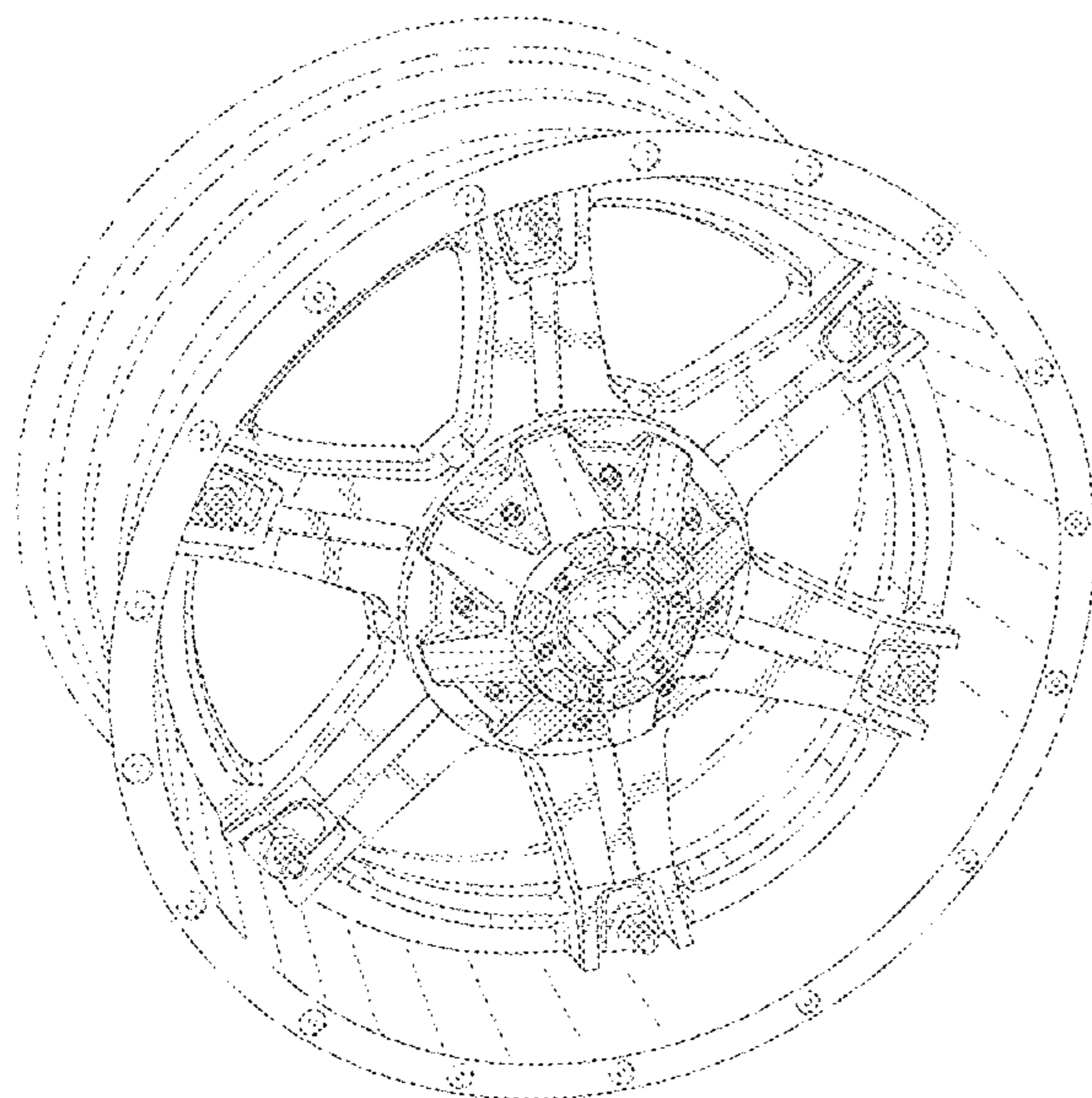


FIG. 1

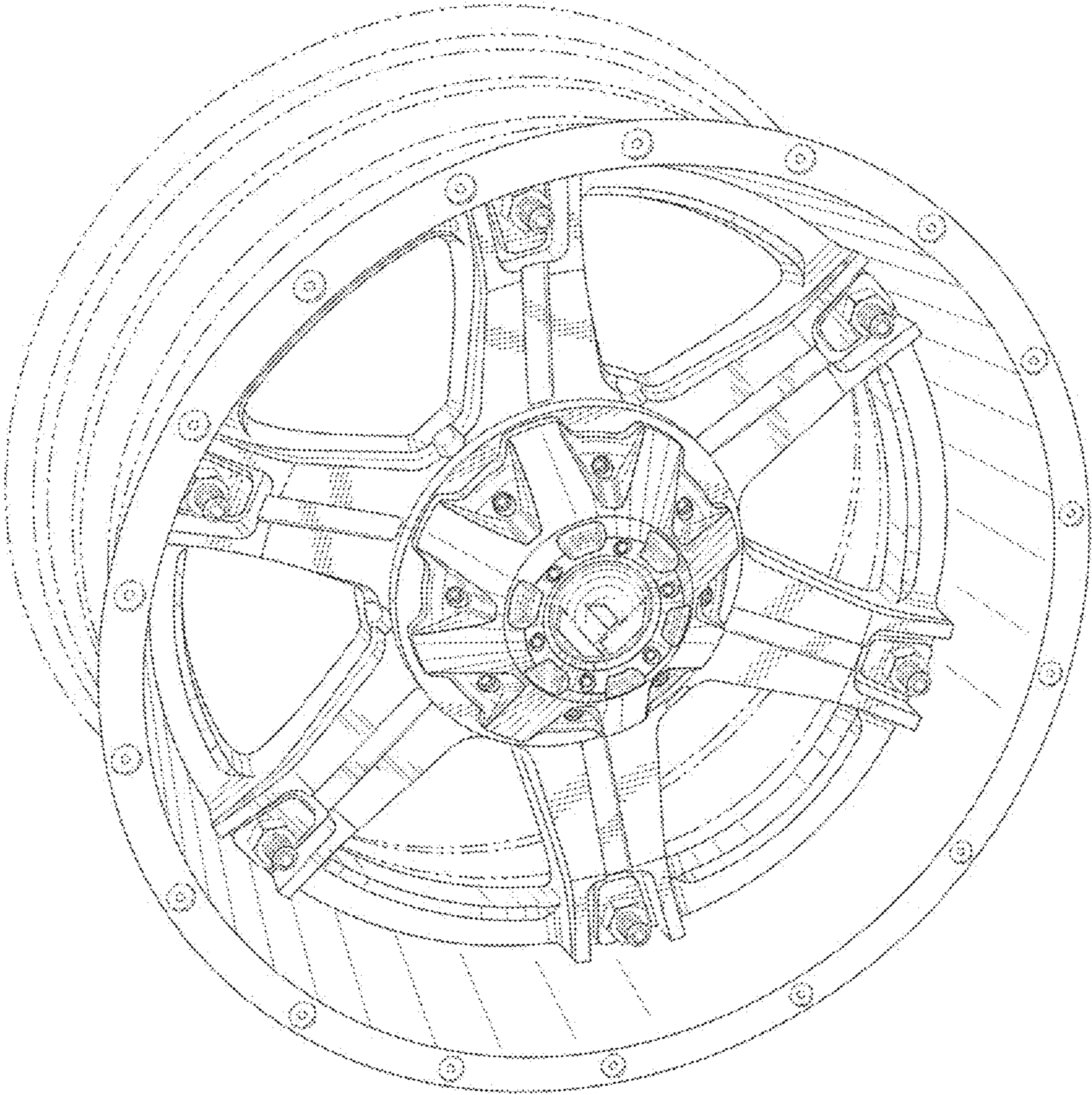


FIG. 2

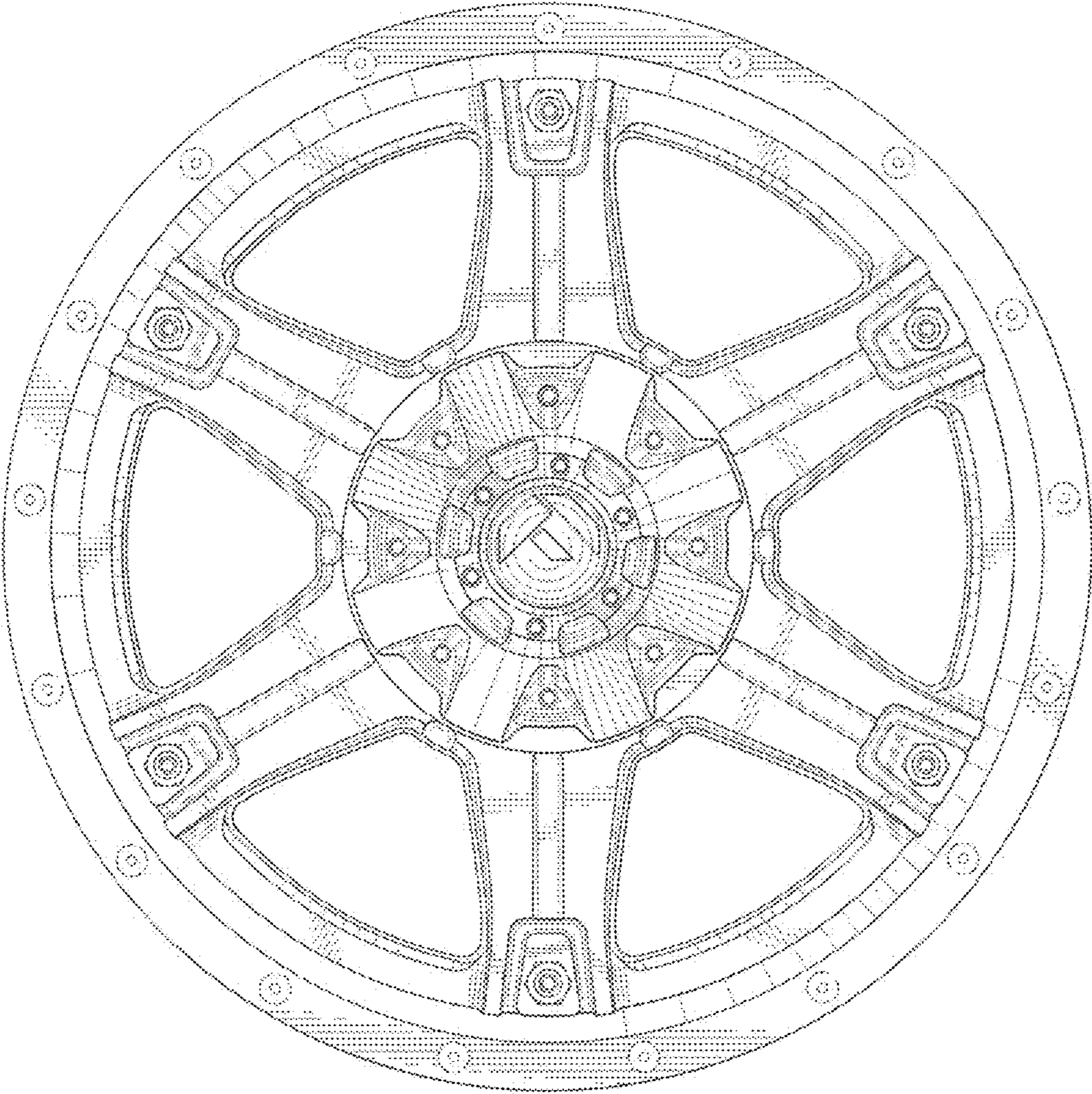


FIG. 3



UNITED STATES PATENT AND TRADEMARK OFFICE
CERTIFICATE OF CORRECTION

PATENT NO. : D686,959 S
APPLICATION NO. : 29/440980
DATED : July 30, 2013
INVENTOR(S) : Arthur D. Hale, Jr.

Page 1 of 1

It is certified that error appears in the above-identified patent and that said Letters Patent is hereby corrected as shown below:

On the Title Page

(72) Inventor:

Delete "Arthur D. Hale,"
Insert -- Arthur D. Hale, Jr. --

DESCRIPTION, line 3:

After "is"
Insert -- a --

Signed and Sealed this
First Day of July, 2014



Michelle K. Lee
Deputy Director of the United States Patent and Trademark Office